



US00D882685S

(12) **United States Design Patent**  
**King et al.**

(10) **Patent No.:** **US D882,685 S**

(45) **Date of Patent:** **\*\* \*Apr. 28, 2020**

(54) **WRITING INSTRUMENT**

(71) Applicant: **Staples Brands, Inc.**, Framingham, MA (US)

(72) Inventors: **Albert King**, Everett, MA (US); **Rory McGarry**, Jamaica Plain, MA (US); **Richard Watson**, Norwell, MA (US)

(73) Assignee: **Staples Brands, Inc.**, Framingham, MA (US)

(\*) Notice: This patent is subject to a terminal disclaimer.

(\*\*) Term: **15 Years**

(21) Appl. No.: **29/641,352**

(22) Filed: **Mar. 21, 2018**

(51) **LOC (12) Cl.** ..... **19-06**

(52) **U.S. Cl.**

USPC ..... **D19/164**; D19/926

(58) **Field of Classification Search**

USPC ..... D19/115-204; D14/411  
CPC . B43K 5/005; B43K 7/12; B43K 8/04; B43K 8/06; B43K 19/00; B43K 19/02; B43K 19/14; B43K 21/006; B43K 21/06

See application file for complete search history.

(56) **References Cited**

U.S. PATENT DOCUMENTS

|              |         |                |         |
|--------------|---------|----------------|---------|
| D223,307 S * | 4/1972  | Nockolds ..... | D19/164 |
| D254,912 S * | 5/1980  | Ito .....      | D19/164 |
| D258,217 S * | 2/1981  | Sakaoka .....  | D19/168 |
| D259,792 S * | 7/1981  | Itoh .....     | D19/169 |
| D286,547 S * | 11/1986 | Koizumi .....  | D19/169 |
| D323,529 S * | 1/1992  | Rousseau ..... | D19/168 |
| D329,460 S * | 9/1992  | Rousseau ..... | D19/168 |
| D332,283 S * | 1/1993  | Voorhees ..... | D19/166 |

|              |         |                        |         |
|--------------|---------|------------------------|---------|
| D367,200 S * | 2/1996  | Brown .....            | D19/169 |
| D411,237 S * | 6/1999  | Izushima .....         | D19/164 |
| D467,970 S * | 12/2002 | Pellissa Beneyto ..... | D19/169 |
| D478,350 S * | 8/2003  | Furlong .....          | D19/164 |
| D504,152 S * | 4/2005  | Collin .....           | D19/168 |
| D568,932 S * | 5/2008  | Qiu .....              | D19/166 |
| D598,496 S * | 8/2009  | Ikeda .....            | D19/168 |
| D601,627 S * | 10/2009 | Liu .....              | D19/169 |
| D602,086 S * | 10/2009 | Liu .....              | D19/169 |
| D605,695 S * | 12/2009 | Leibeck .....          | D19/169 |
| D611,096 S * | 3/2010  | Liu .....              | D19/169 |
| D622,770 S * | 8/2010  | Shi .....              | D19/164 |
| D628,636 S * | 12/2010 | Wang .....             | D19/169 |
| D636,022 S * | 4/2011  | Kim .....              | D19/168 |
| D648,385 S * | 11/2011 | Guo .....              | D19/166 |
| D657,820 S * | 4/2012  | Bruzzi .....           | D19/150 |
| D662,986 S * | 7/2012  | Liu .....              | D19/169 |
| D688,792 S * | 8/2013  | Guarraia .....         | D24/113 |
| D729,874 S * | 5/2015  | Larson .....           | D19/169 |
| D754,661 S * | 4/2016  | Nishizawa .....        | D14/411 |
| D811,400 S * | 2/2018  | Nishizawa .....        | D14/411 |
| D816,165 S * | 4/2018  | Haug .....             | D19/163 |
| D825,661 S * | 8/2018  | Zavada .....           | D19/164 |

\* cited by examiner

*Primary Examiner* — Elizabeth A. Albert

(74) *Attorney, Agent, or Firm* — Sheridan Ross P.C.

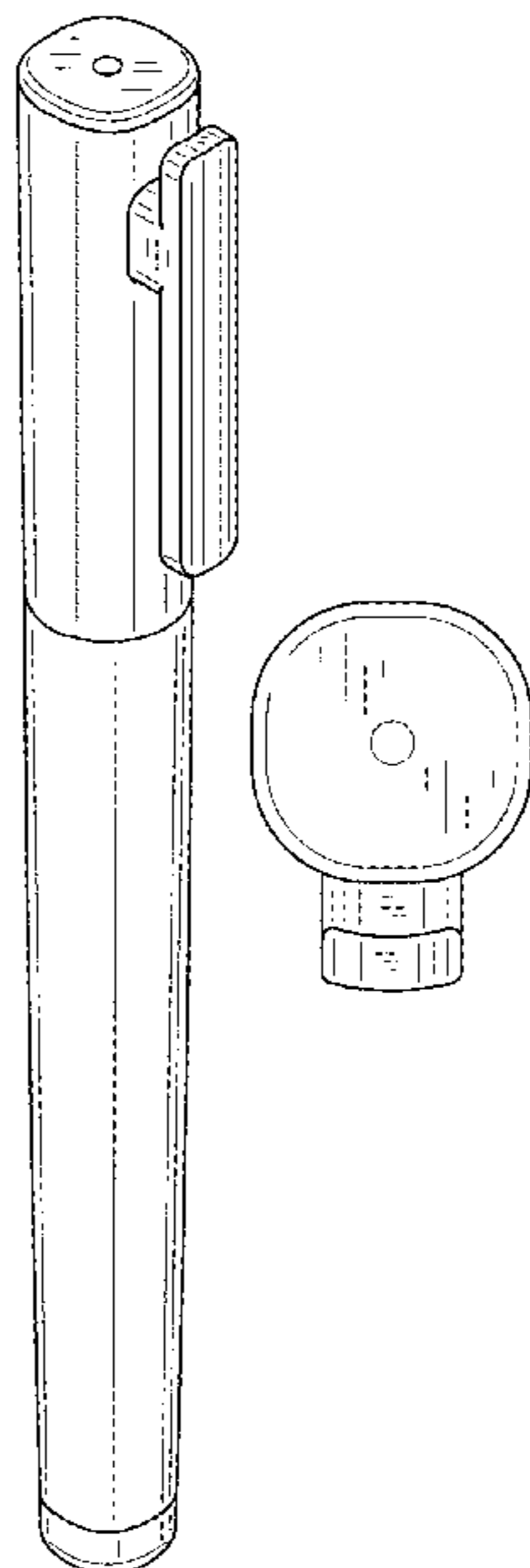
(57) **CLAIM**

The ornamental design for the writing instrument, as shown and described.

**DESCRIPTION**

FIG. 1 is a perspective view of a writing instrument; FIG. 2 is a front elevation view thereof; FIG. 3 is a right elevation view thereof, the left elevation view is a mirror image thereof; FIG. 4 is a rear elevation view thereof; FIG. 5 is a top plan view thereof; and, FIG. 6 is a bottom plan view thereof.

**1 Claim, 2 Drawing Sheets**



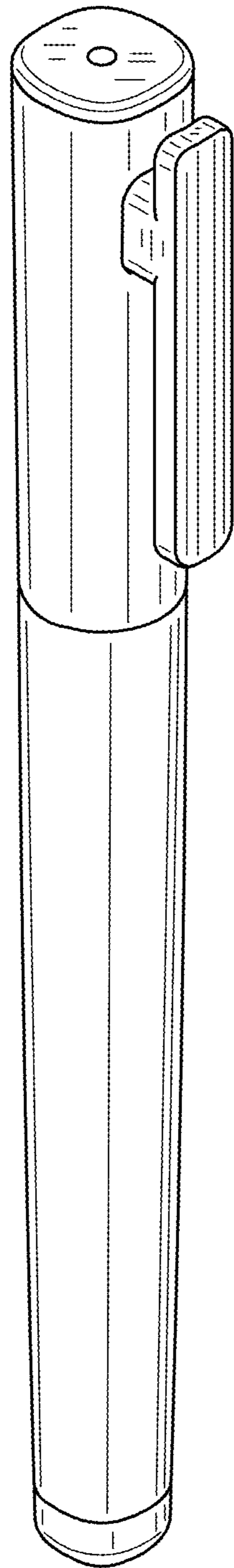


FIG.1

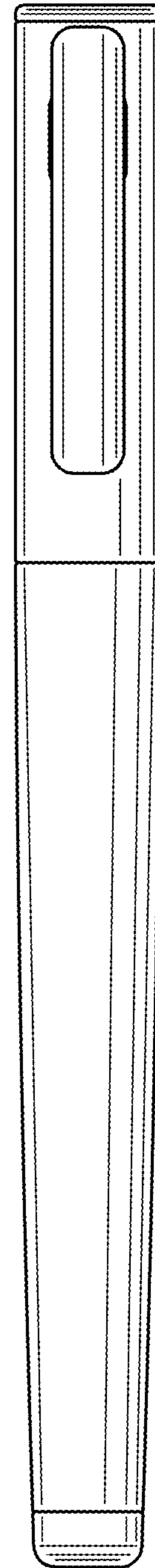


FIG.2

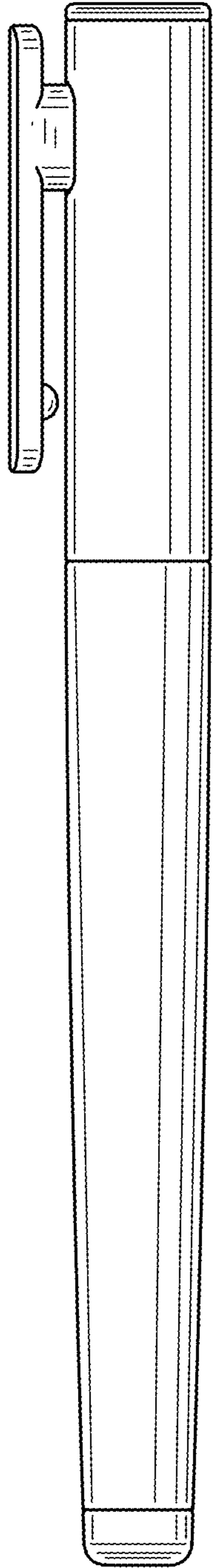


FIG.3

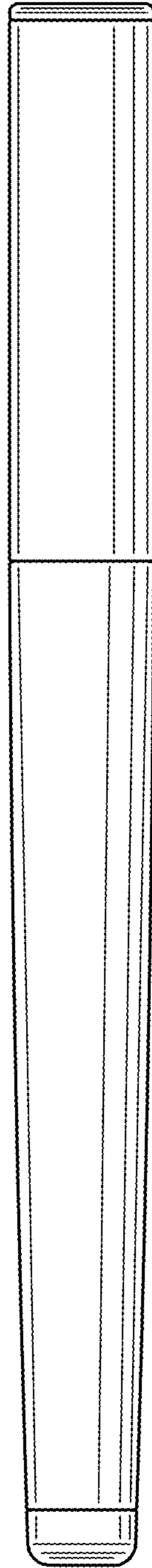


FIG.4

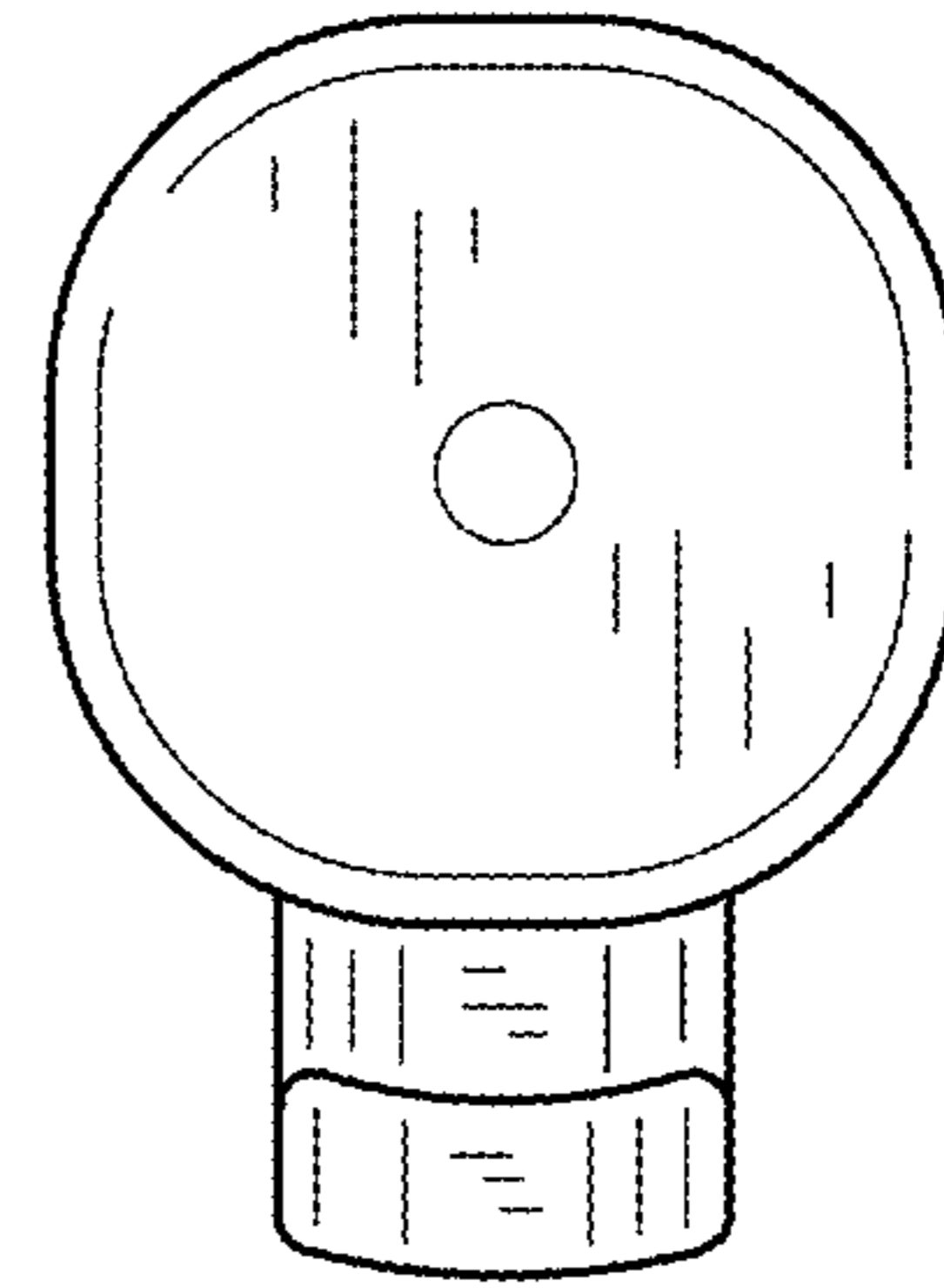


FIG.5

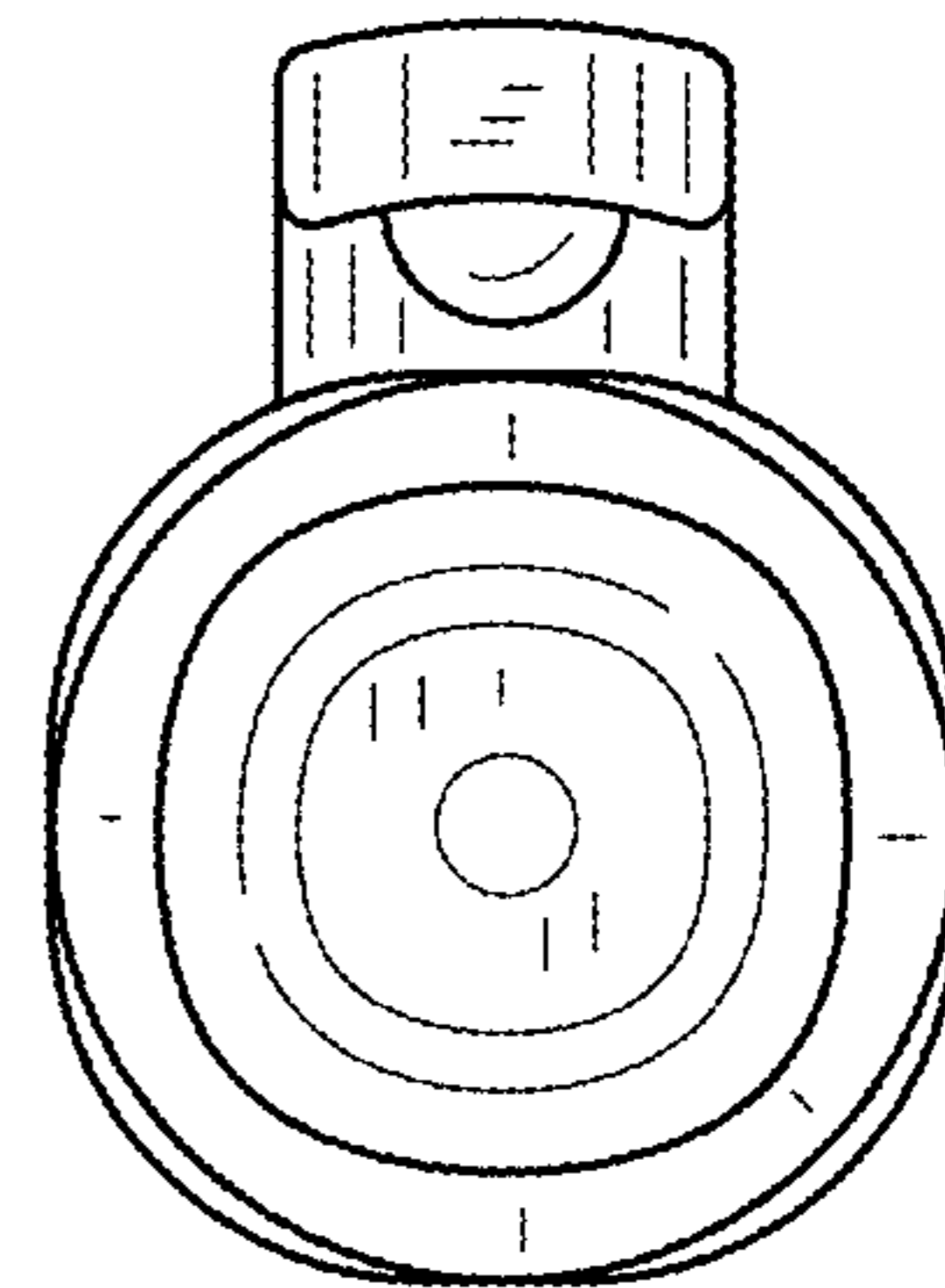


FIG.6