



US00D882680S

(12) **United States Design Patent**  
**Eun**

(10) **Patent No.:** **US D882,680 S**  
(45) **Date of Patent:** **\*\* Apr. 28, 2020**

(54) **POS TERMINAL**

(71) Applicant: **POSBANK CO., LTD.**, Seoul (KR)

(72) Inventor: **Dong Uk Eun**, Gyeonggi-do (KR)

(73) Assignee: **POSBANK CO., LTD.**, Seoul (KR)

(\*\*) Term: **15 Years**

(21) Appl. No.: **29/666,407**

(22) Filed: **Oct. 12, 2018**

(30) **Foreign Application Priority Data**

Aug. 9, 2018 (KR) ..... 30-2018-0036934

(51) **LOC (12) Cl.** ..... **18-01**

(52) **U.S. Cl.**  
USPC ..... **D18/4.5; D18/4.6**

(58) **Field of Classification Search**  
USPC ... D18/4.4, 4.5, 4.6, 2, 11, 4, 19-21, 50, 54,  
D18/99; D14/307, 336, 371, 374, 383,  
D14/385, 386, 496, 126, 129, 299, 900,  
D14/901, 902  
CPC ..... G06Q 20/00; G06Q 20/08; G06Q 20/20;  
G06Q 20/40; G06Q 20/204; G06Q  
20/341; G07F 7/0873; G07F 7/088; G07G  
1/0009; G07G 1/0018; G07G 1/0036;  
G07G 1/14; F16M 11/10; F16M 11/22  
See application file for complete search history.

(56) **References Cited**

**U.S. PATENT DOCUMENTS**

D317,912 S *	7/1991	Takai	.....	D14/375
D526,003 S *	8/2006	Shih	.....	D18/4.5
D639,801 S *	6/2011	Kuroda	.....	D14/307
D687,484 S *	8/2013	Eun	.....	D18/4.6
D695,244 S *	12/2013	Wolff	.....	D14/126
D703,631 S *	4/2014	Hallar	.....	D14/126
D706,864 S *	6/2014	Branck	.....	D18/4.6
D707,288 S *	6/2014	Branck	.....	D18/4.6
D713,447 S *	9/2014	Balar	.....	D18/4.6

D724,040 S *	3/2015	Chan	.....	D14/126
D725,057 S *	3/2015	Seo	.....	D14/126
D725,699 S *	3/2015	Eun	.....	D18/4.4
D727,898 S *	4/2015	Yum	.....	D14/374
RE45,547 E *	6/2015	Andre	.....	D14/375
D732,029 S *	6/2015	Huh	.....	D14/374
D743,394 S *	11/2015	Chang	.....	D14/375

(Continued)

**OTHER PUBLICATIONS**

Point-of-sale terminals. (Design—© Questel) orbit.com. [online PDF] 26 pgs. Print Dates Range Feb. 18, 2010 through Aug. 13, 2019. [Retrieved on Oct. 4, 2019] <https://sobjprd.questel.fr/export/QPTUJ214/pdf2/687a0834-6bca-4ed8-ab46-35964588a396-230523.pdf>.\*

*Primary Examiner* — Marie D. Fast Horse

(74) *Attorney, Agent, or Firm* — Marshall, Gerstein & Borun LLP

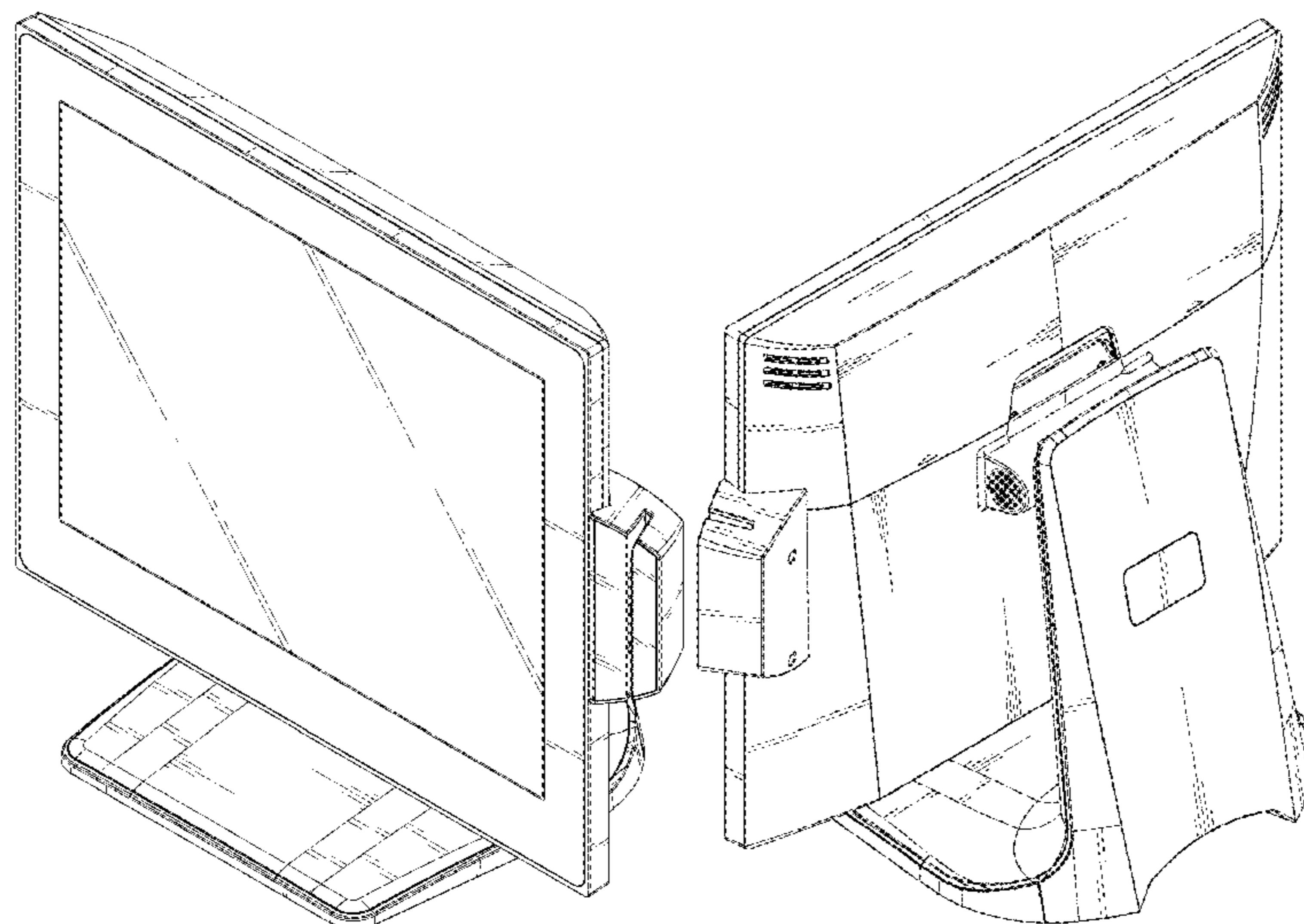
(57) **CLAIM**

The ornamental design for a POS terminal, as shown and described.

**DESCRIPTION**

FIG. 1 is a front, top, and right-side orthographic view of a POS terminal showing the new design.  
FIG. 2 is a front elevation view of the POS terminal.  
FIG. 3 is a rear elevation view of the POS terminal.  
FIG. 4 is a left-side elevation view of the POS terminal.  
FIG. 5 is a right-side elevation view of the POS terminal.  
FIG. 6 is a top plan view of the POS terminal.  
FIG. 7 is a bottom plan view of the POS terminal.  
FIG. 8 is a rear, top, and right-side orthographic view of the POS terminal shown with the screen in a tilted position for use.  
FIG. 9 is a rear, top, and right-side orthographic view of the POS terminal; and,  
FIG. 10 is a rear, bottom, and right-side orthographic view of the POS terminal.

**1 Claim, 10 Drawing Sheets**



(56)

**References Cited**

U.S. PATENT DOCUMENTS

D744,479 S *	12/2015	Haller	.....	D14/336	2014/0144988 A1*	5/2014	Chiang	.....	G06F 1/1607 235/449
D752,587 S *	3/2016	Gong	.....	D14/375	2015/0001291 A1*	1/2015	Govindarajan	.....	G06Q 90/00 235/380
D763,255 S *	8/2016	Lee	.....	D14/371	2015/0193753 A1*	7/2015	Lam	.....	G06F 11/30 705/16
9,659,466 B1 *	5/2017	Chen	.....	G07G 1/0018	2015/0193754 A1*	7/2015	Lam	.....	G06Q 20/20 705/16
D792,415 S *	7/2017	Tsai	.....	D14/447	2015/0213416 A1*	7/2015	Lam	.....	G06F 11/0778 705/305
D806,159 S *	12/2017	Haller	.....	D18/4.5	2015/0213424 A1*	7/2015	Lam	.....	G06Q 20/20 705/21
D807,424 S *	1/2018	Chang	.....	D18/4.4	2016/0070964 A1*	3/2016	Conrad	.....	G07G 1/0018 348/150
D810,816 S *	2/2018	Chen	.....	D18/4.4	2016/0120050 A1*	4/2016	Chen	.....	G06F 1/16 361/679.01
D811,472 S *	2/2018	Chen	.....	D18/4.4	2017/0039537 A1*	2/2017	Singgih	.....	F16M 11/046
D816,662 S *	5/2018	Haller	.....	D14/336	2017/0185363 A1*	6/2017	Ting	.....	G06F 1/1626
D817,323 S *	5/2018	Eun	.....	D14/336	2019/0278954 A1*	9/2019	Eun	.....	G07G 1/0018
D844,046 S *	3/2019	Yeruva	.....	D18/4.5					
2006/0065724 A1*	3/2006	Lum	.....	F16M 11/22 235/383					
2012/0145787 A1*	6/2012	Lin	.....	G07F 7/088 235/439					

\* cited by examiner

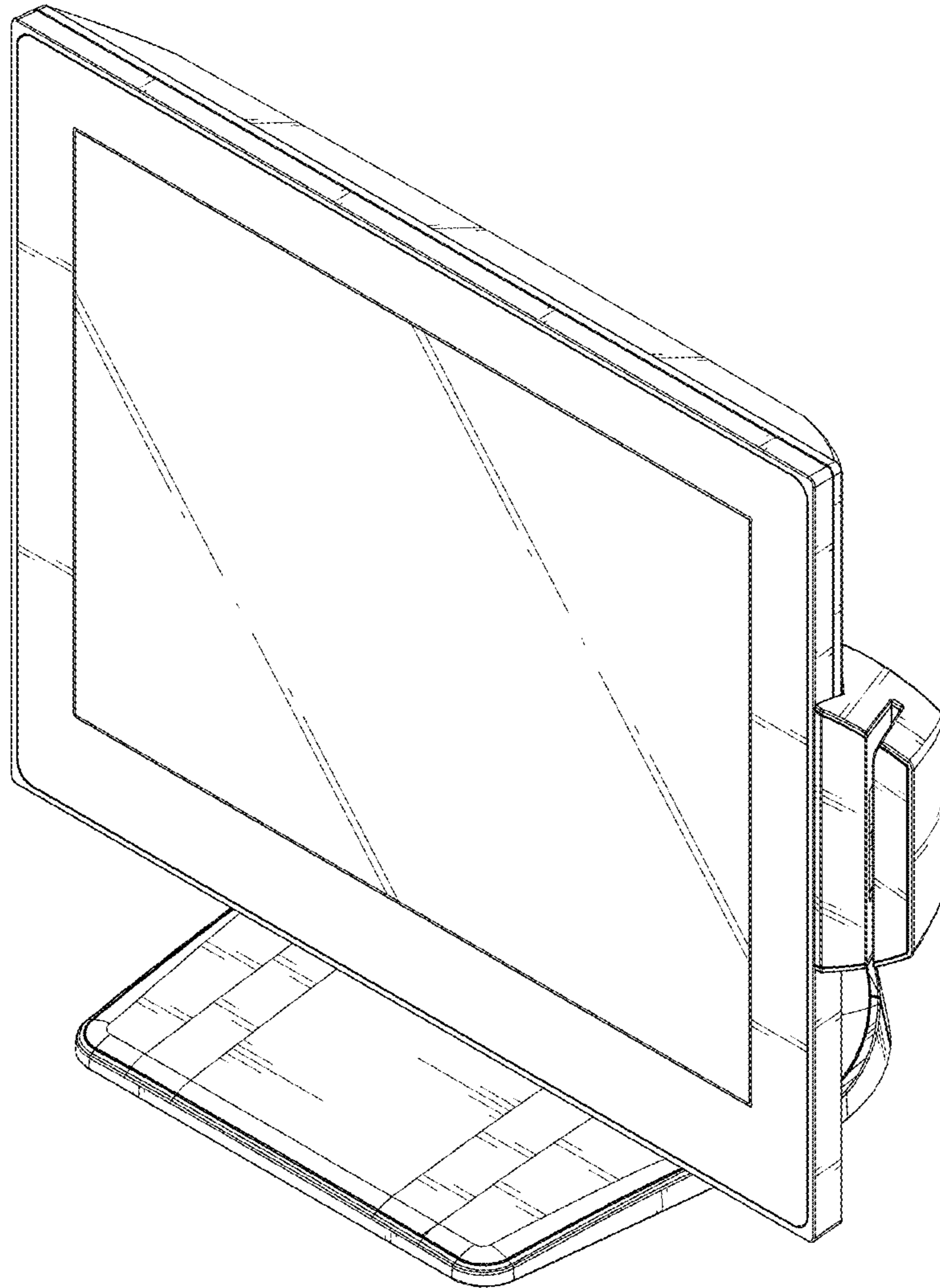


FIG. 1

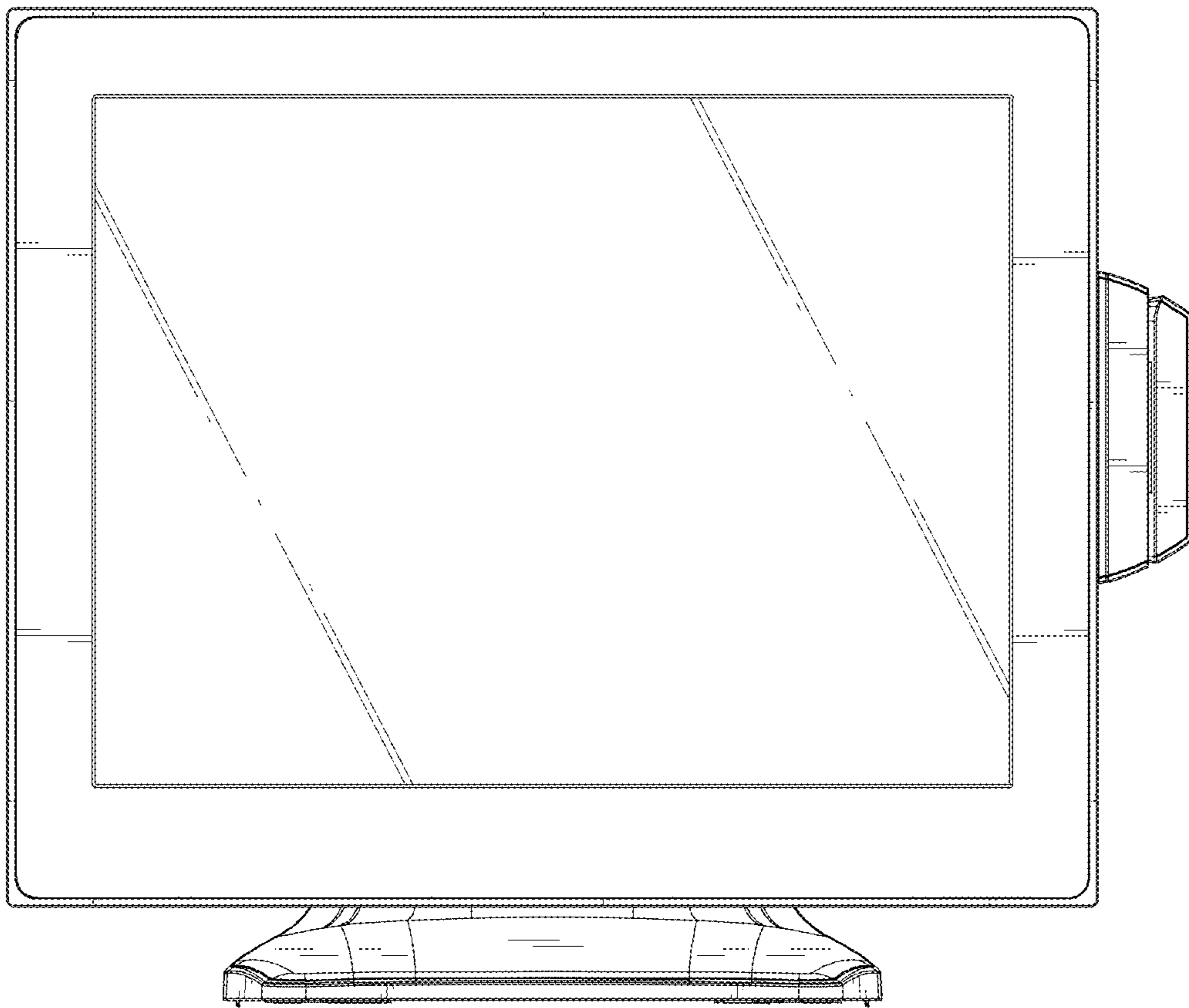


FIG. 2



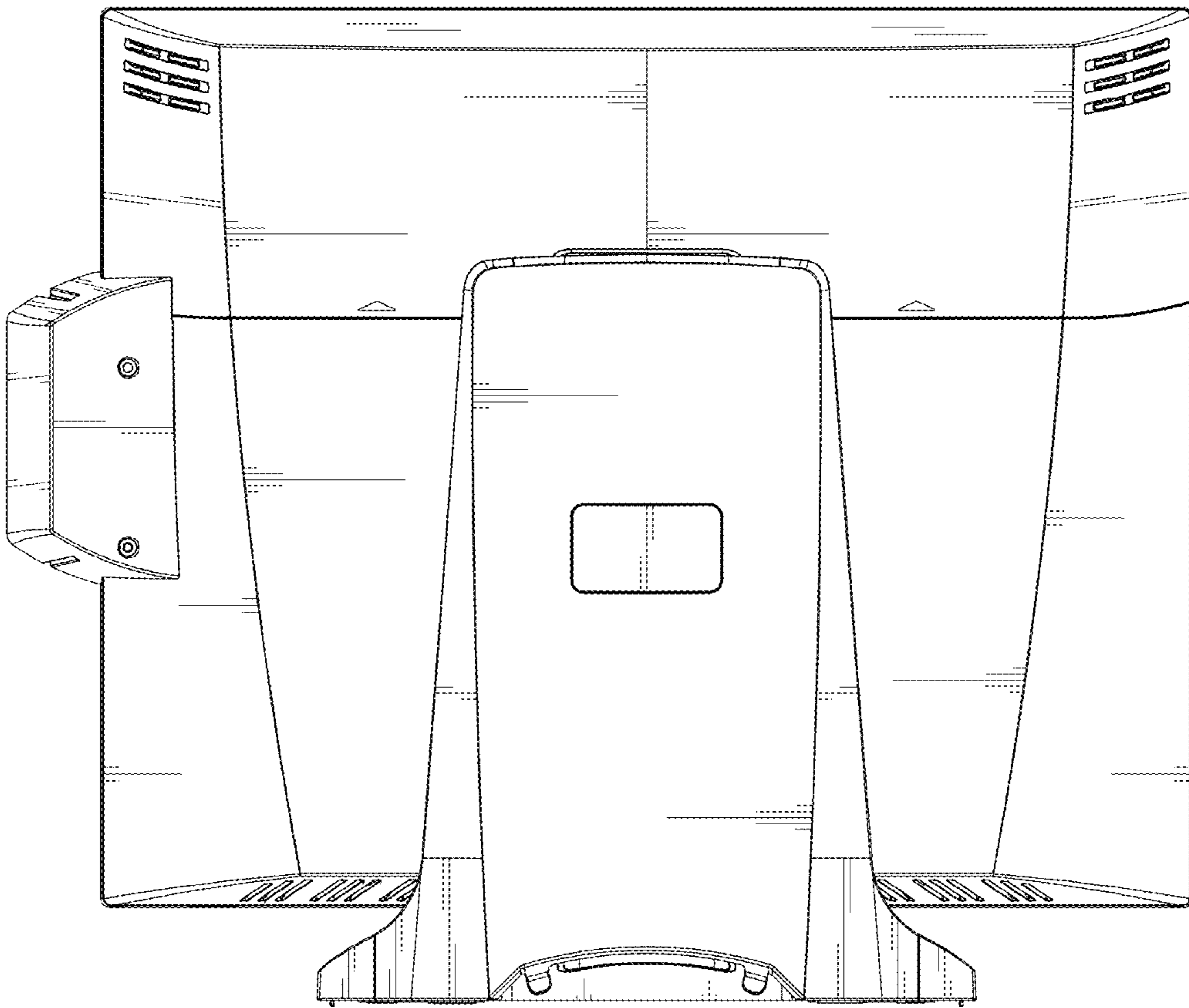


FIG. 3

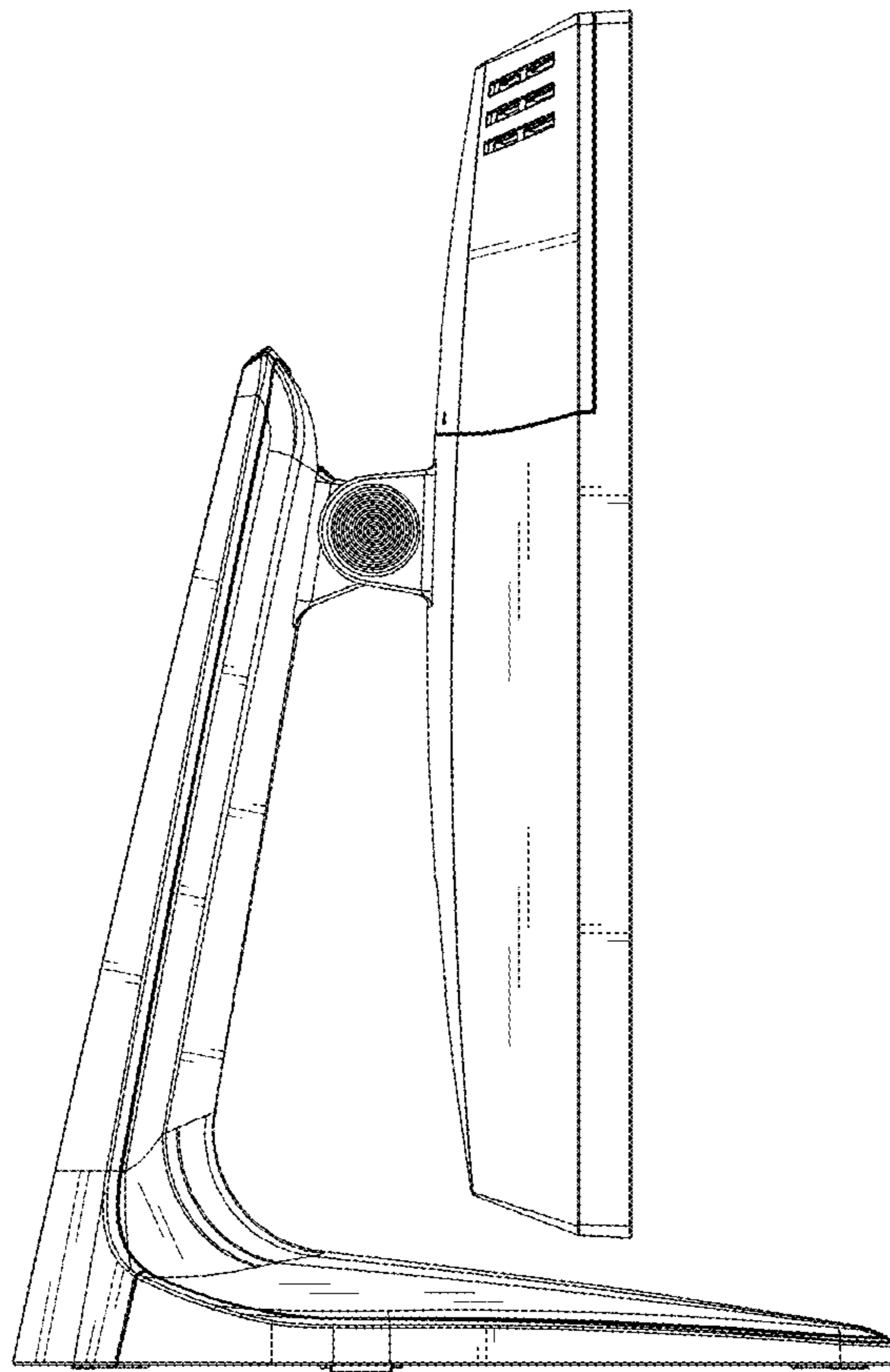


FIG. 4

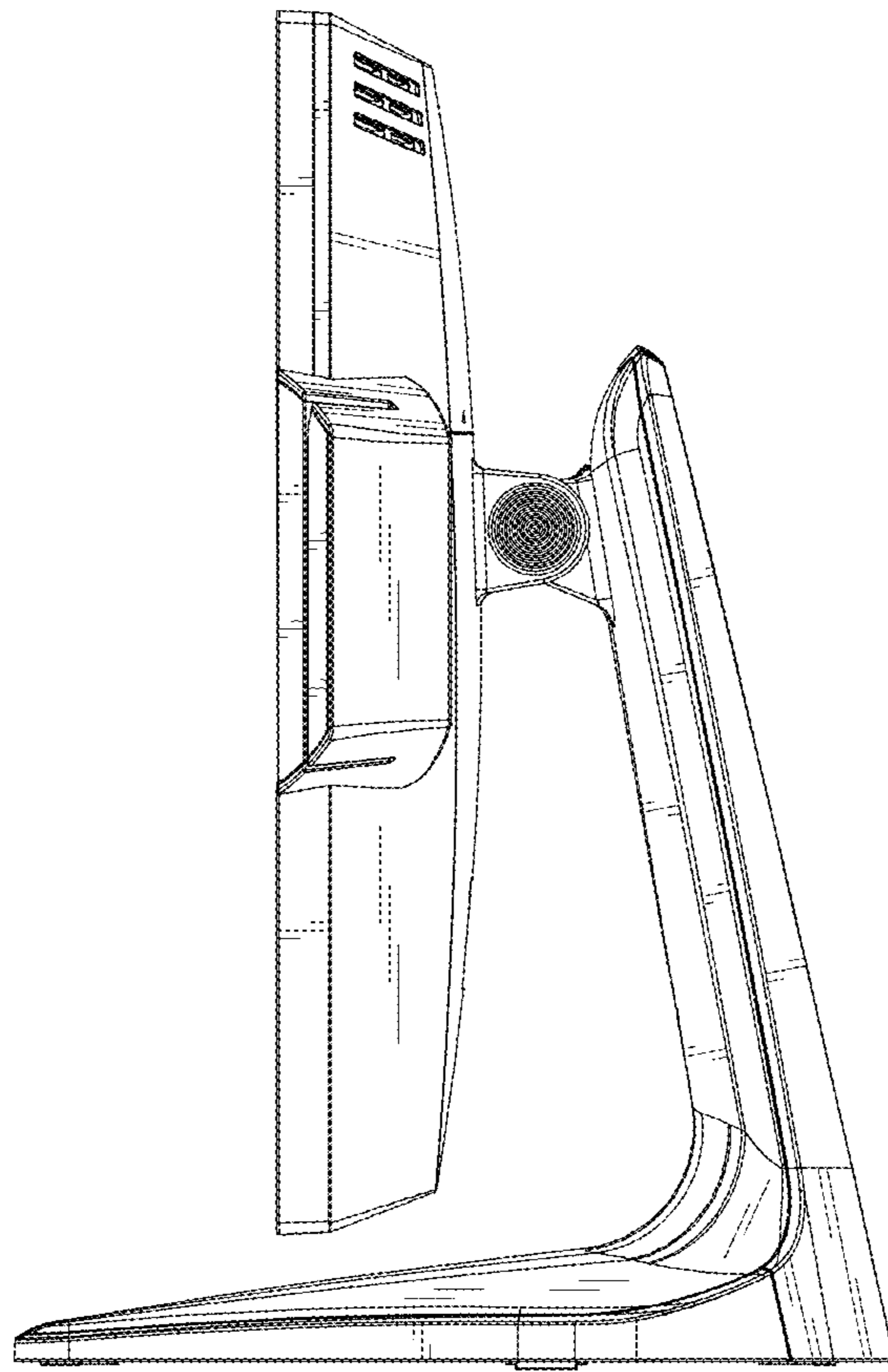


FIG. 5

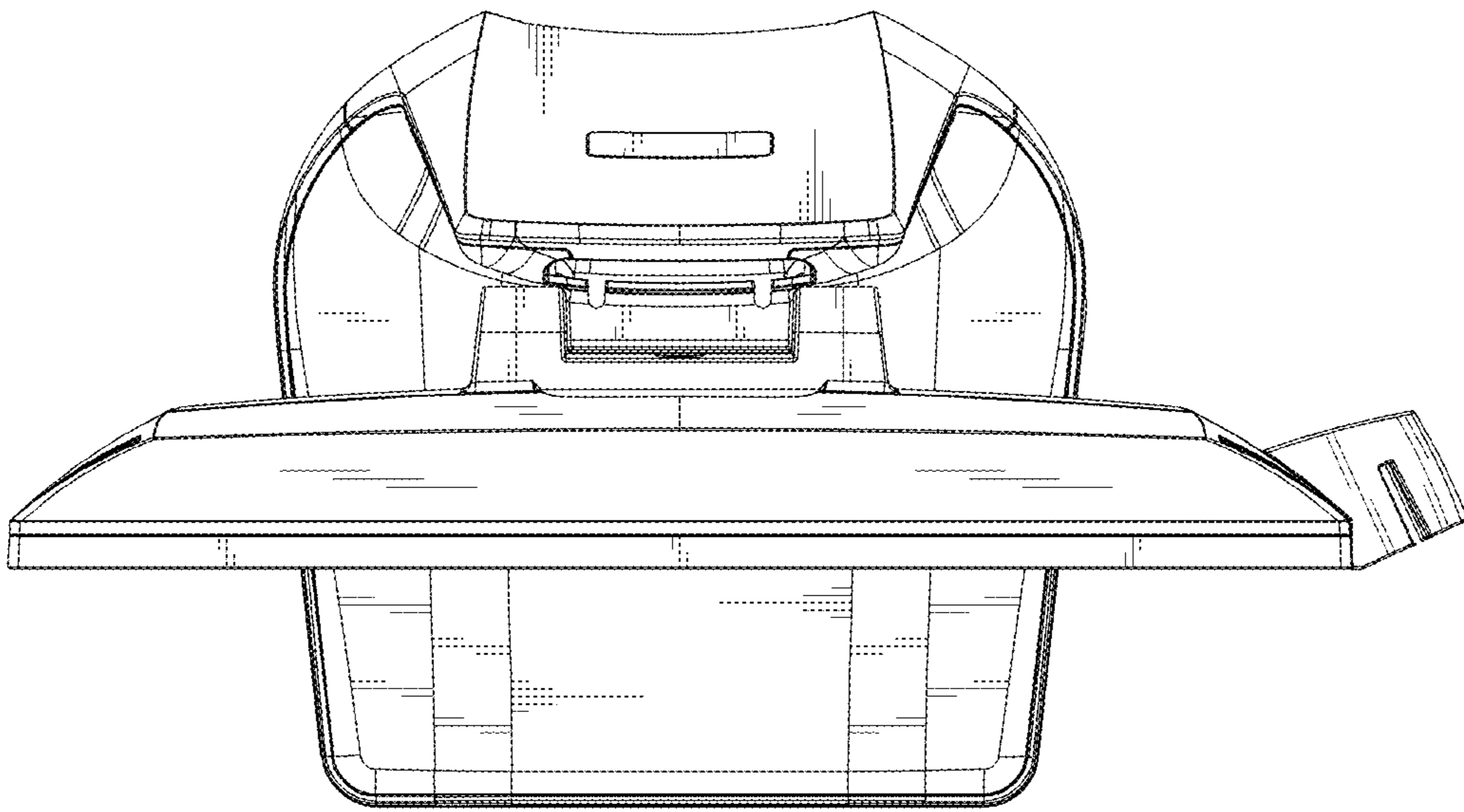


FIG. 6



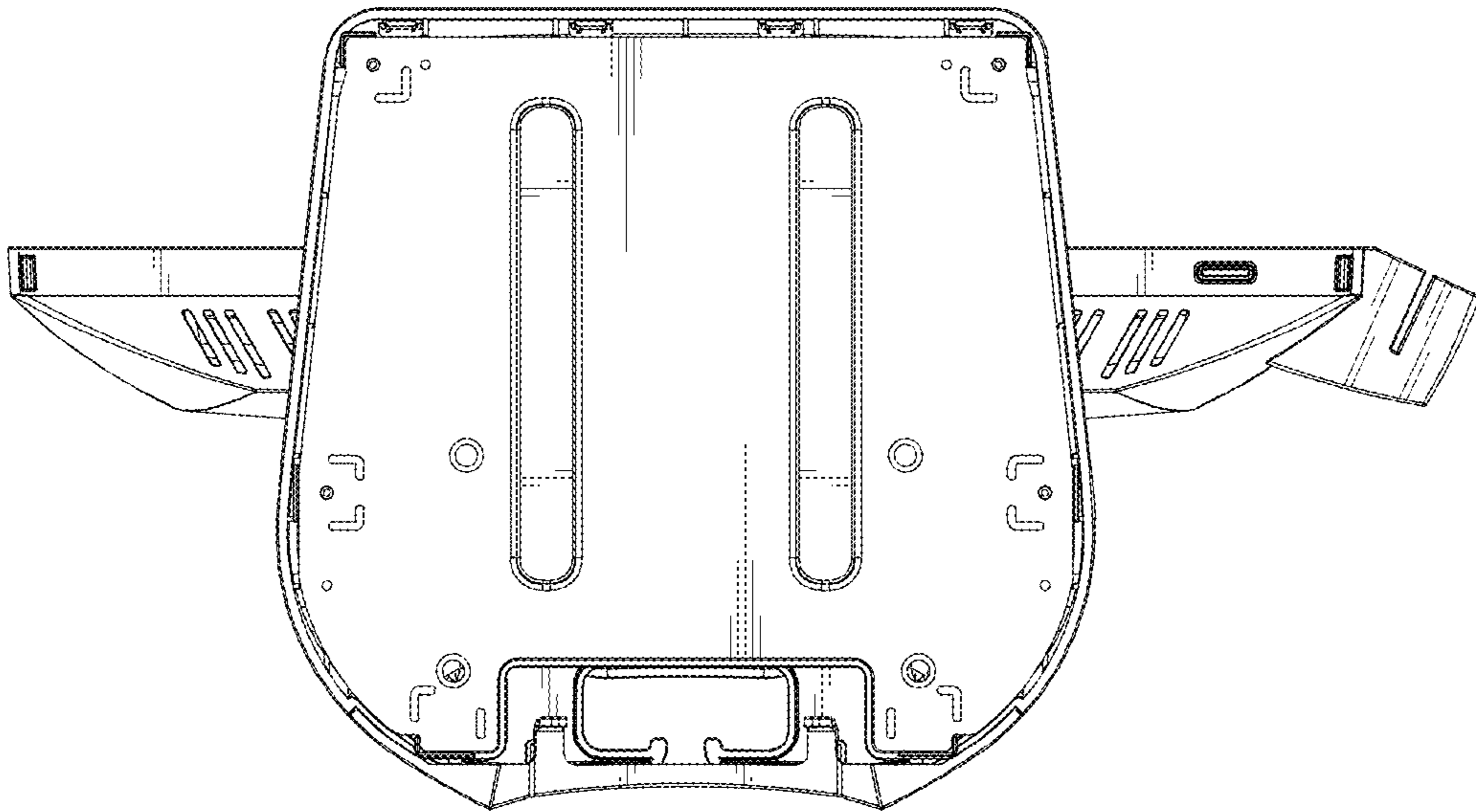


FIG. 7

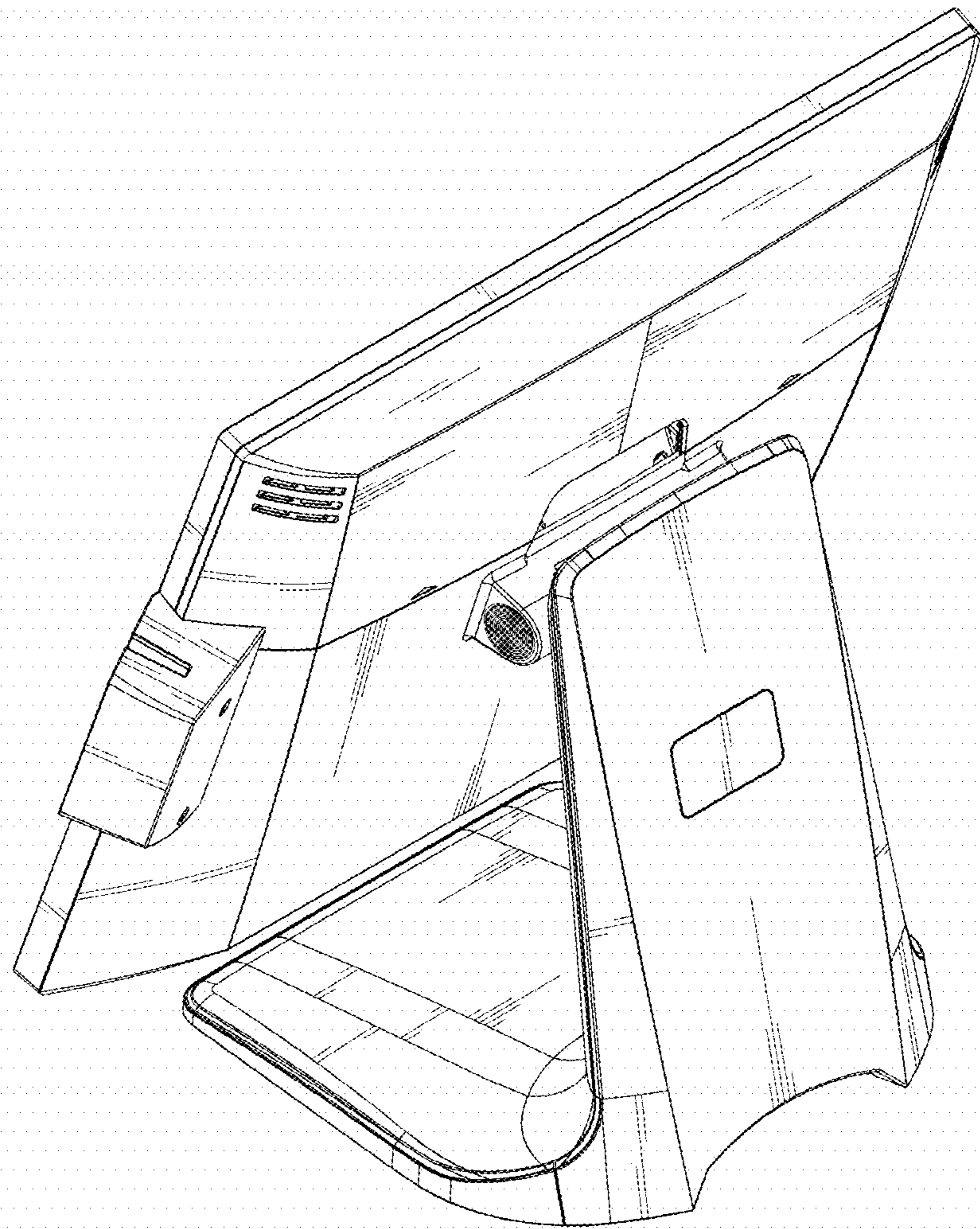


FIG. 8

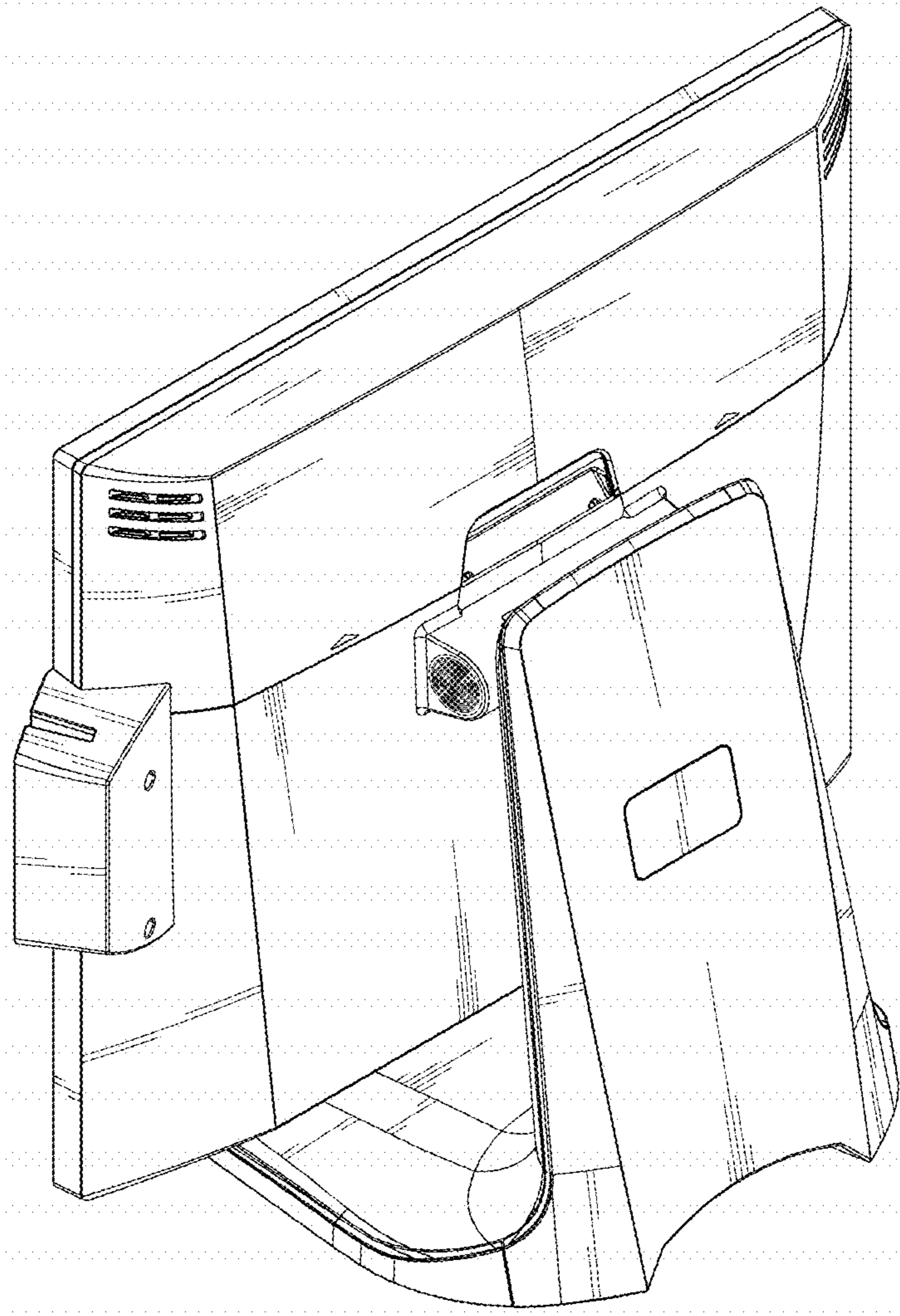


FIG. 9

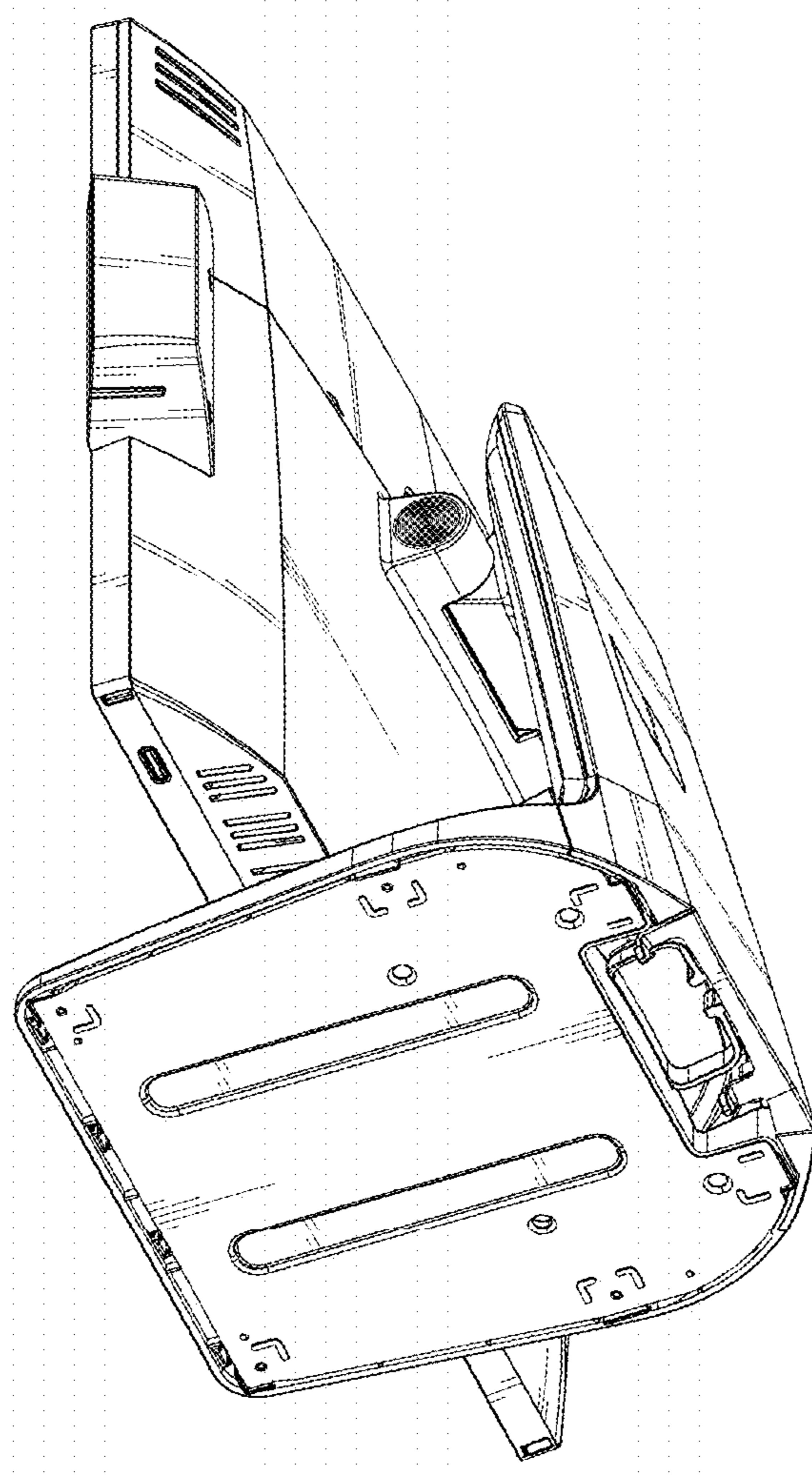


FIG. 10