



US00D882679S

(12) **United States Design Patent**
Zheng

(10) **Patent No.:** **US D882,679 S**

(45) **Date of Patent:** **** Apr. 28, 2020**

(54) **PAYMENT MACHINE**
(71) Applicant: **ALIBABA GROUP HOLDING LIMITED**, Grand Cayman (KY)
(72) Inventor: **Kunkun Zheng**, Hangzhou (CN)
(73) Assignee: **ALIBABA GROUP HOLDING LIMITED**, Grand Cayman (KY)

(**) Term: **15 Years**

(21) Appl. No.: **29/675,016**

(22) Filed: **Dec. 28, 2018**

(30) **Foreign Application Priority Data**

Jul. 4, 2018 (CN) 2018 3 0356529

(51) **LOC (12) Cl.** **18-01**

(52) **U.S. Cl.**
USPC **D18/4.4**

(58) **Field of Classification Search**
USPC D18/4.4, 4.5, 4.6, 2, 11, 14, 19-21, 50, D18/54, 99; D14/307, 336, 371, 374, D14/383, 385, 386, 496, 126, 129, 299, D14/900, 901, 902; D20/1, 9
CPC G06Q 20/00; G06Q 20/08; G06Q 20/20; G06Q 20/40; G06Q 20/204; G06Q 20/341; G07F 7/0873; G07F 7/088; G07G 1/0009; G07G 1/0018; G07G 1/0036; G07G 1/14; F16M 11/10; F16M 11/22
See application file for complete search history.

(56) **References Cited**

U.S. PATENT DOCUMENTS

D268,029 S * 2/1983 Fisher D14/385
D278,341 S * 4/1985 Scheid D14/334
D278,908 S * 5/1985 Scheid D14/334
D282,662 S * 2/1986 Scheid D14/334
D300,928 S * 5/1989 Siddoway D14/334

D305,536 S * 1/1990 Richards D14/334
D308,858 S * 6/1990 Tarver D18/4.6
D308,859 S * 6/1990 Tarver D18/4.6
D321,172 S * 10/1991 Moore, IV D14/389
D321,174 S * 10/1991 Tsuchiya D14/368
5,179,447 A * 1/1993 Lain B64D 11/00153
348/837
D342,239 S * 12/1993 Hermann D18/4.6
D348,440 S * 7/1994 Nair D14/146
5,362,952 A * 11/1994 Nair G06K 7/084
235/449
D362,239 S * 9/1995 Je D18/4.6
D362,427 S * 9/1995 Mizusugi D18/4.4
D385,904 S * 11/1997 Kim D18/4.4
D404,381 S * 1/1999 Roderman D14/375
D425,558 S * 5/2000 Tarpenning D14/336
D468,735 S * 1/2003 Landerholm D14/336
D477,030 S * 7/2003 Kolls D20/8
D477,321 S * 7/2003 Baughman D14/385

(Continued)

FOREIGN PATENT DOCUMENTS

JP 1611149 S 8/2018

Primary Examiner — Marie D. Fast Horse

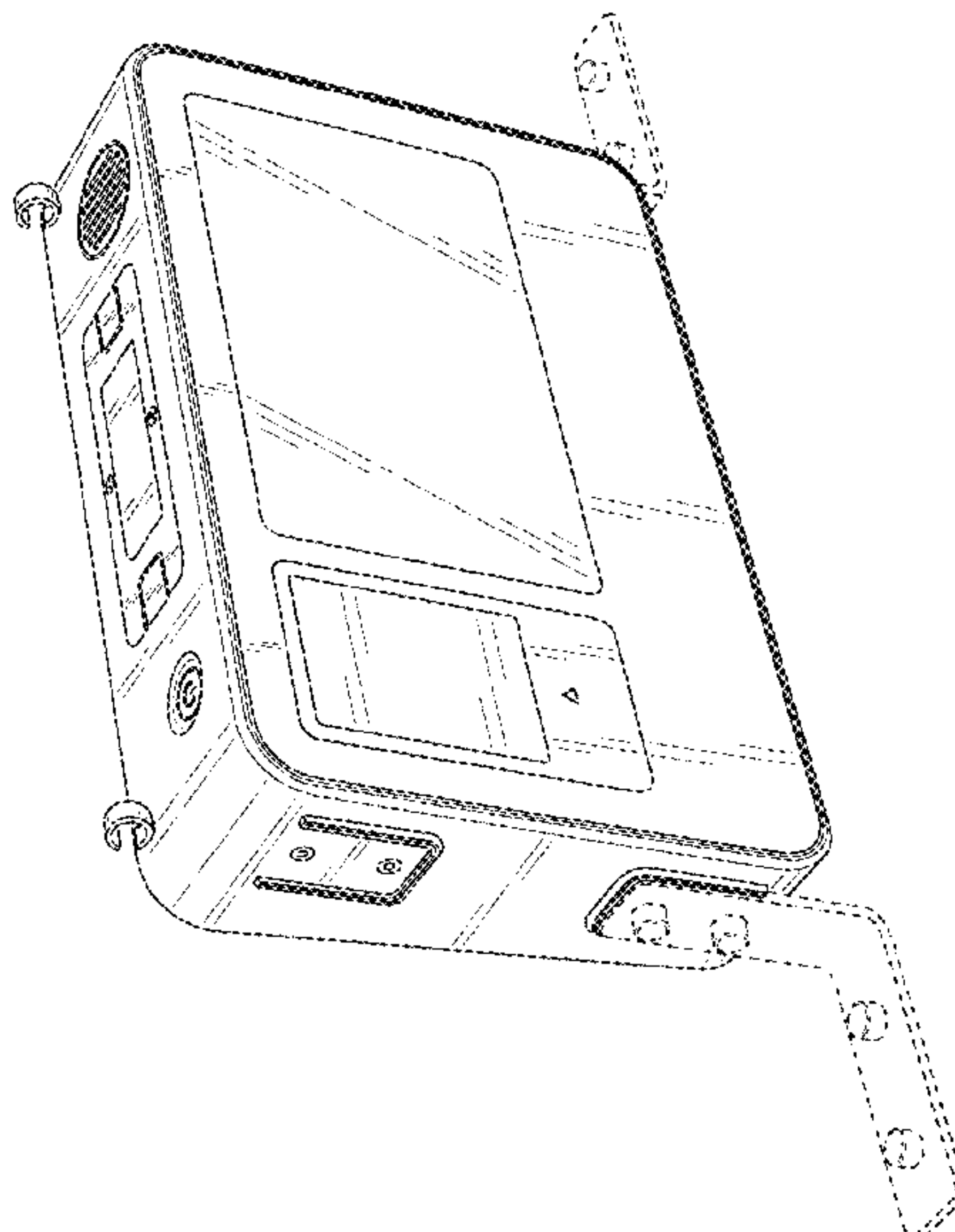
(57) **CLAIM**

The ornamental design for a payment machine, as shown and described.

DESCRIPTION

FIG. 1 is a front view showing a payment machine showing our new design;
FIG. 2 is a rear view thereof;
FIG. 3 is a left-side view thereof;
FIG. 4 is a right-side view thereof;
FIG. 5 is a top view thereof;
FIG. 6 is a bottom view thereof; and,
FIG. 7 is a front-bottom-left perspective view thereof.
The broken lines depict portions of the payment machine that form no part of the claimed design.

1 Claim, 7 Drawing Sheets



(56)

References Cited

U.S. PATENT DOCUMENTS

D585,056 S * 1/2009 Ekelund D14/336
7,472,825 B2 * 1/2009 Fitch G07G 1/0018
235/379
D601,139 S * 9/2009 Huang D14/341
D601,182 S * 9/2009 Mita D14/392
D637,984 S * 5/2011 Willard D14/129
D638,012 S * 5/2011 Tian D18/4.6
D639,801 S * 6/2011 Kuroda D18/4.6
D640,252 S * 6/2011 Kuroda D18/4.5
D673,952 S * 1/2013 Toda D14/383
D689,921 S * 9/2013 Branck D18/4.6
D690,137 S * 9/2013 Kikkert D6/672
D690,138 S * 9/2013 Kikkert D6/672
D693,803 S * 11/2013 Colley D14/307
D701,779 S * 4/2014 Bremenkamp D10/70
D703,311 S * 4/2014 Daly D24/110
D706,863 S * 6/2014 Branck D18/4.6
D723,031 S * 2/2015 Rawal D14/385
D735,343 S * 7/2015 Dorsey D24/186
D745,599 S * 12/2015 Tanaka D18/19
D757,167 S * 5/2016 Iwai D18/19
D779,459 S * 2/2017 Schlossberg D14/218
D818,040 S * 5/2018 Martin D18/56
D829,274 S * 9/2018 Huang D18/4.6
D839,264 S * 1/2019 Nagano D14/301
10,181,240 B2 * 1/2019 Fujimoto G07G 1/12
2016/0232508 A1 * 8/2016 Nishiie G06Q 20/206

* cited by examiner

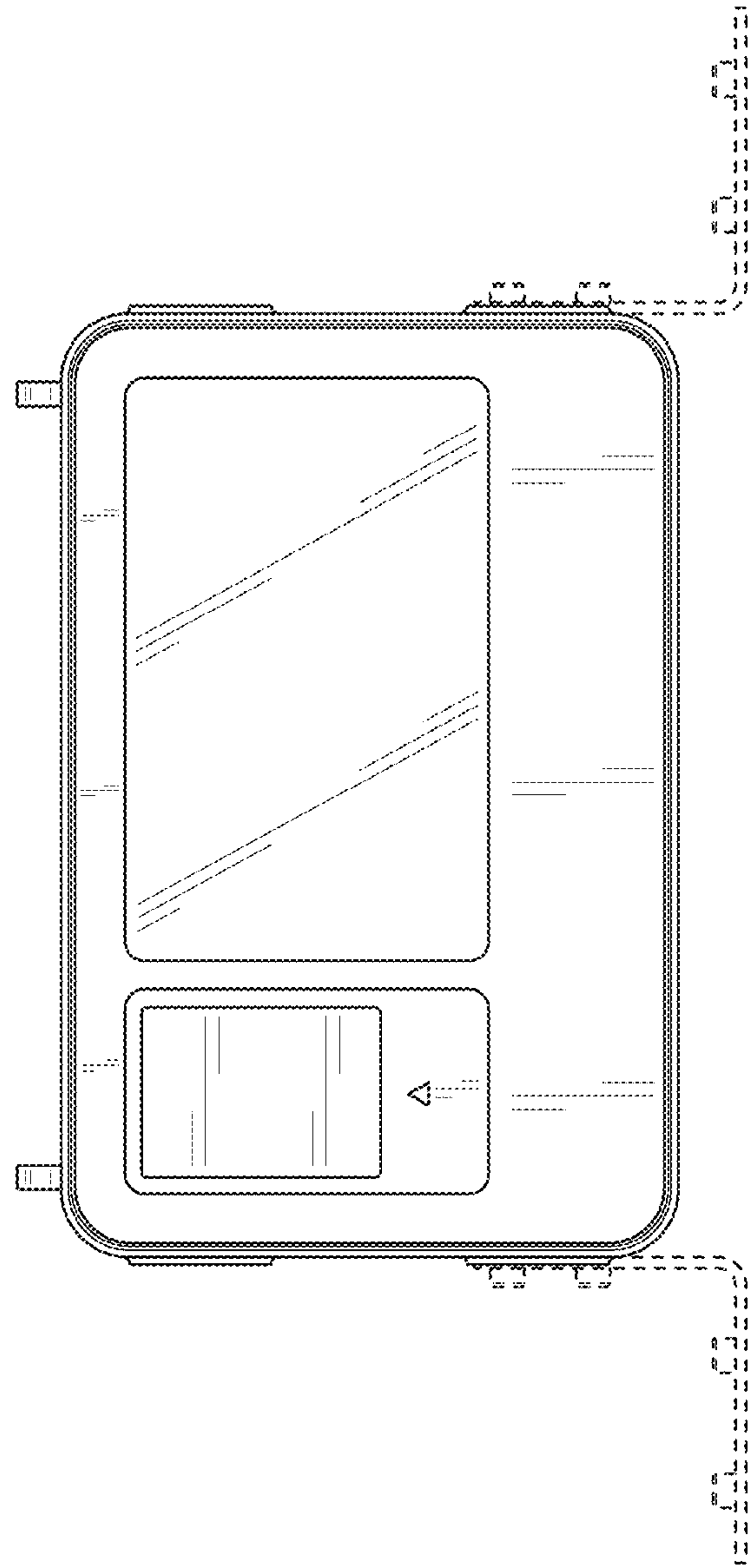


FIG. 1

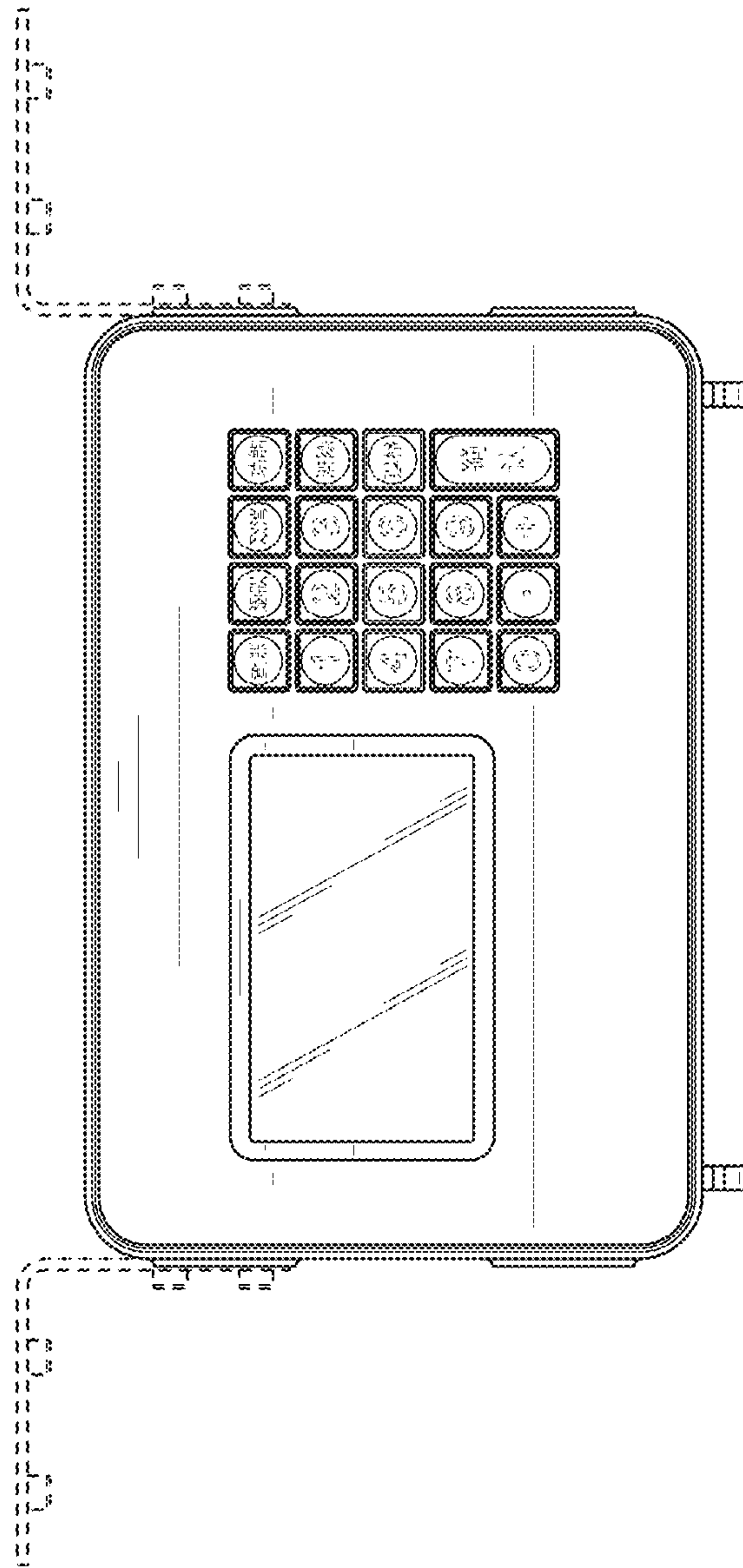


FIG. 2

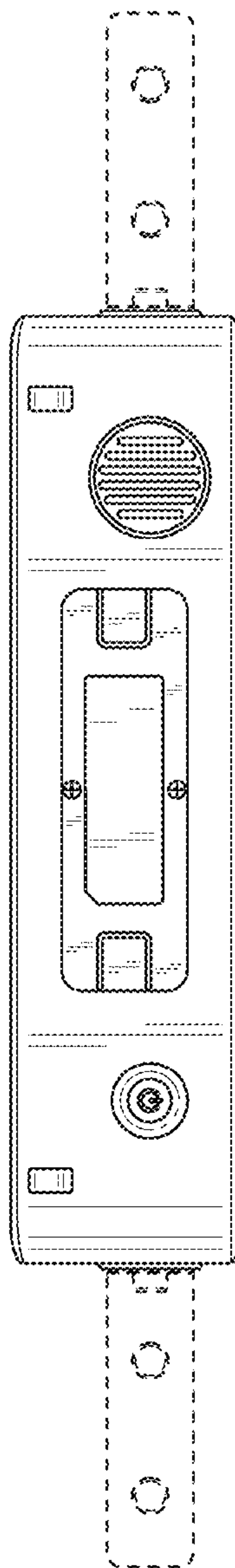


FIG. 3

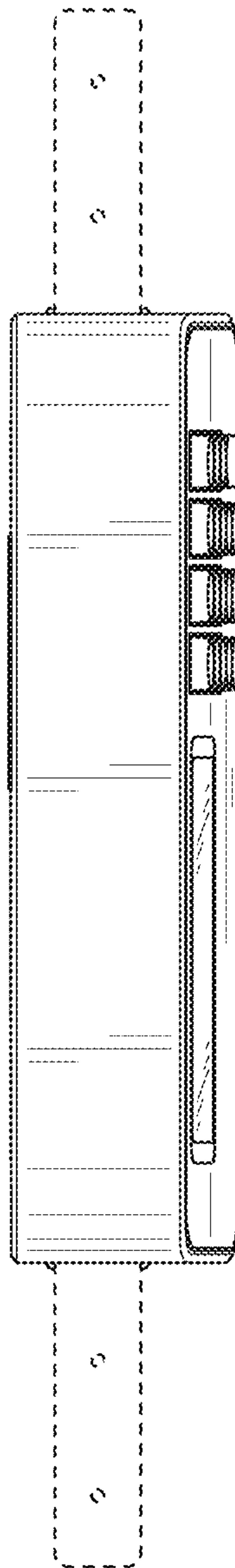


FIG. 4

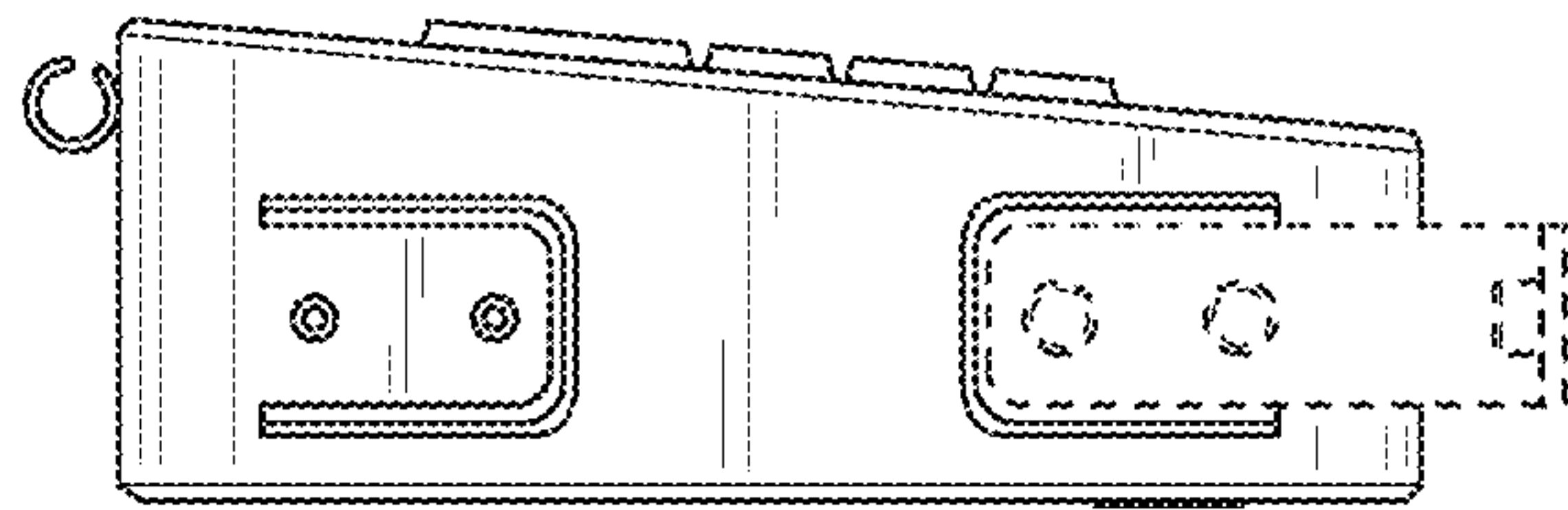


FIG. 5

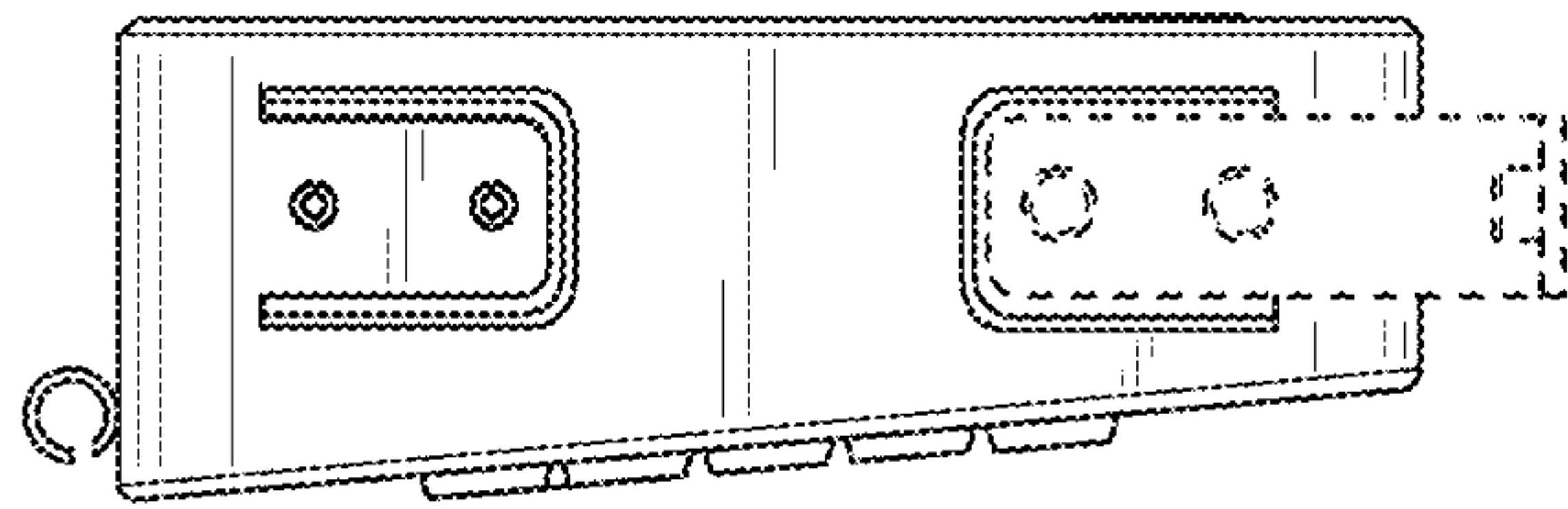


FIG. 6

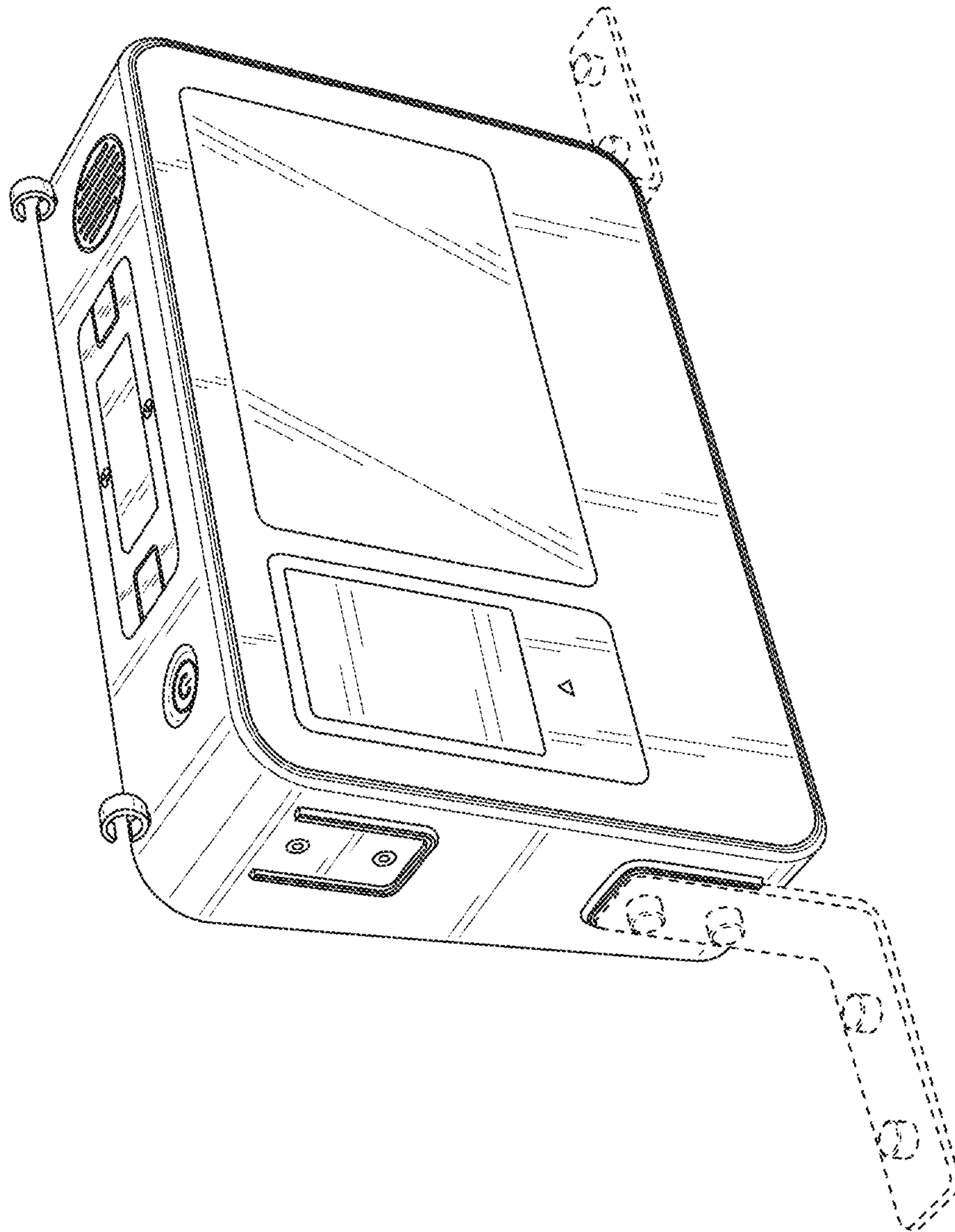


FIG. 7