



US00D882676S

(12) **United States Design Patent**  
**Sorio**

(10) **Patent No.:** **US D882,676 S**

(45) **Date of Patent:** **\*\* Apr. 28, 2020**

(54) **PAYMENT DEVICE**

(71) Applicant: **Custom S.p.A.**, Fontevivo (Parma) (IT)

(72) Inventor: **Adriano Sorio**, Fontevivo (IT)

(73) Assignee: **CUSTOM S.P.A.**, Fontevivo (Parma)  
(IT)

(\*\*) Term: **15 Years**

(21) Appl. No.: **29/658,926**

(22) Filed: **Aug. 3, 2018**

(30) **Foreign Application Priority Data**

Feb. 13, 2018 (EM) ..... 004706752-0001

(51) **LOC (12) Cl.** ..... **18-01**

(52) **U.S. Cl.**  
USPC ..... **D18/4.4**; D14/336

(58) **Field of Classification Search**  
USPC ... D18/4.4, 4.5, 4.6, 2, 11, 4, 19–21, 50, 54,  
D18/99; D14/307, 336, 371, 374, 383,  
D14/385, 386, 496, 126, 129, 299, 900,  
D14/901, 902

CPC ..... G06Q 20/00; G06Q 20/08; G06Q 20/20;  
G06Q 20/40; G06Q 20/204; G06Q  
20/341; G07F 7/0873; G07F 7/088; G07G  
1/0009; G07G 1/0018; G07G 1/0036;  
G07G 1/14; F16M 11/10; F16M 11/22

See application file for complete search history.

(56) **References Cited**

**U.S. PATENT DOCUMENTS**

D411,517 S \* 6/1999 Lin ..... D14/336  
D415,478 S \* 10/1999 Chuo ..... D14/126  
D426,200 S \* 6/2000 Aeschbacher ..... D14/126  
D495,327 S \* 8/2004 Okuley ..... D14/336  
D526,003 S \* 8/2006 Shih ..... D18/4.5

D556,755 S \* 12/2007 Lee ..... D14/375  
D591,290 S \* 4/2009 Park ..... D14/371  
7,706,138 B2 \* 4/2010 Lee ..... F16M 11/10  
16/321  
D616,885 S \* 6/2010 Chien ..... D14/374  
D639,801 S \* 6/2011 Kuroda ..... D18/4.6  
8,511,624 B2 \* 8/2013 Tang ..... F16M 11/16  
248/128  
D706,864 S \* 6/2014 Branck ..... D18/4.6  
D707,288 S \* 6/2014 Branck ..... D18/4.6  
D713,447 S \* 9/2014 Balar ..... D18/4.6  
D725,699 S \* 3/2015 Eun ..... D18/4.4  
D735,802 S \* 8/2015 Lyons ..... D18/4.5  
D746,902 S \* 1/2016 Lyons ..... D18/4.5  
D762,258 S \* 7/2016 Jenkins ..... D18/4.5  
9,659,466 B1 \* 5/2017 Chen ..... G07G 1/0018  
D807,424 S \* 1/2018 Chang ..... D18/4.4  
D831,106 S \* 10/2018 Saeed ..... D18/4.5  
D835,184 S \* 12/2018 Sorio ..... D18/4.5  
D844,046 S \* 3/2019 Yeruva ..... D18/4.5  
10,344,915 B1 \* 7/2019 Ewen, III ..... F16M 13/00  
2012/0145787 A1 \* 6/2012 Lin ..... G07F 7/088  
235/439

(Continued)

*Primary Examiner* — Marie D. Fast Horse

(74) *Attorney, Agent, or Firm* — Wenderoth, Lind &  
Ponack, L.L.P.

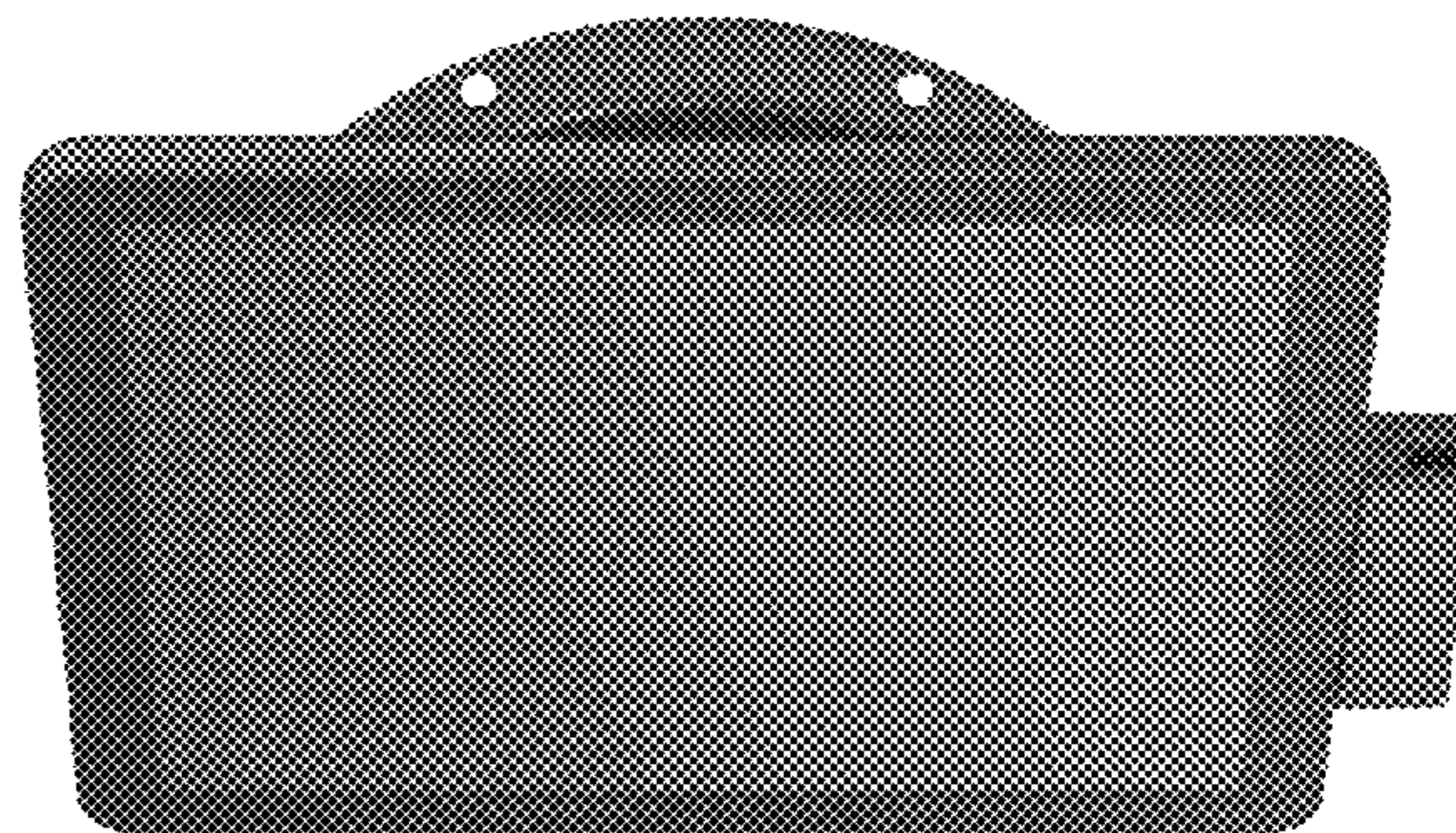
(57) **CLAIM**

The ornamental design for a payment device, as shown and  
described.

**DESCRIPTION**

FIG. 1 is a perspective view of the invention;  
FIG. 2 is a front view of the invention;  
FIG. 3 is a rear view of the invention;  
FIG. 4 is a right side view of the invention;  
FIG. 5 is a left side view of the invention;  
FIG. 6 is a top view of the invention; and,  
FIG. 7 is a bottom view of the invention.

**1 Claim, 7 Drawing Sheets**



(56)

**References Cited**

U.S. PATENT DOCUMENTS

2013/0069507 A1\* 3/2013 Dowling ..... F16M 11/10  
312/236  
2014/0144988 A1\* 5/2014 Chiang ..... G06F 1/1607  
235/449  
2015/0001291 A1\* 1/2015 Govindarajan ..... G06Q 20/208  
235/380  
2015/0241919 A1\* 8/2015 Beatty ..... F16M 11/041  
361/679.44  
2016/0070964 A1\* 3/2016 Conrad ..... G07G 1/0018  
348/150  
2017/0039537 A1\* 2/2017 Singgih ..... F16M 11/046

\* cited by examiner



FIG. 1



FIG. 2

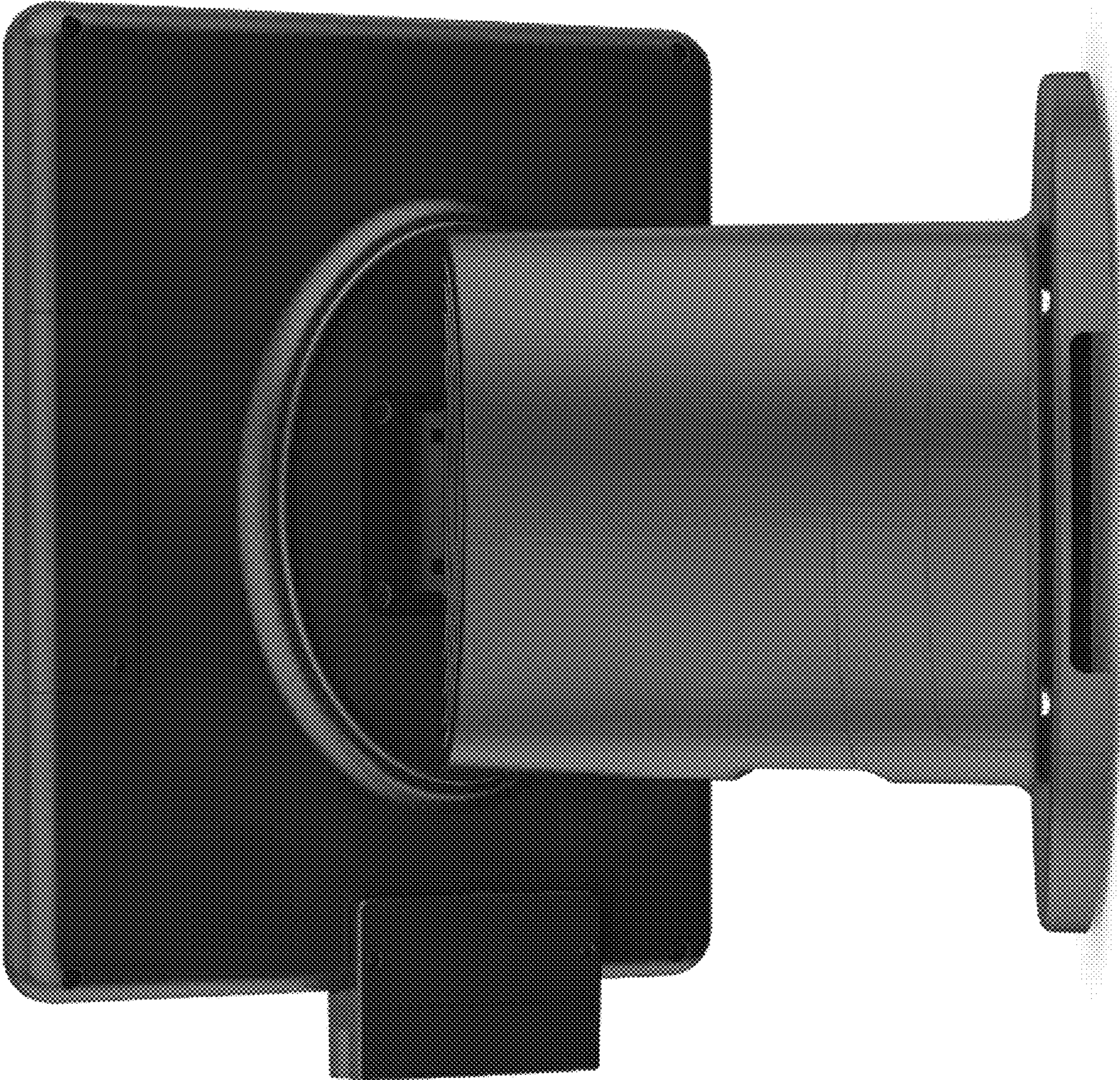


FIG. 3



FIG. 4

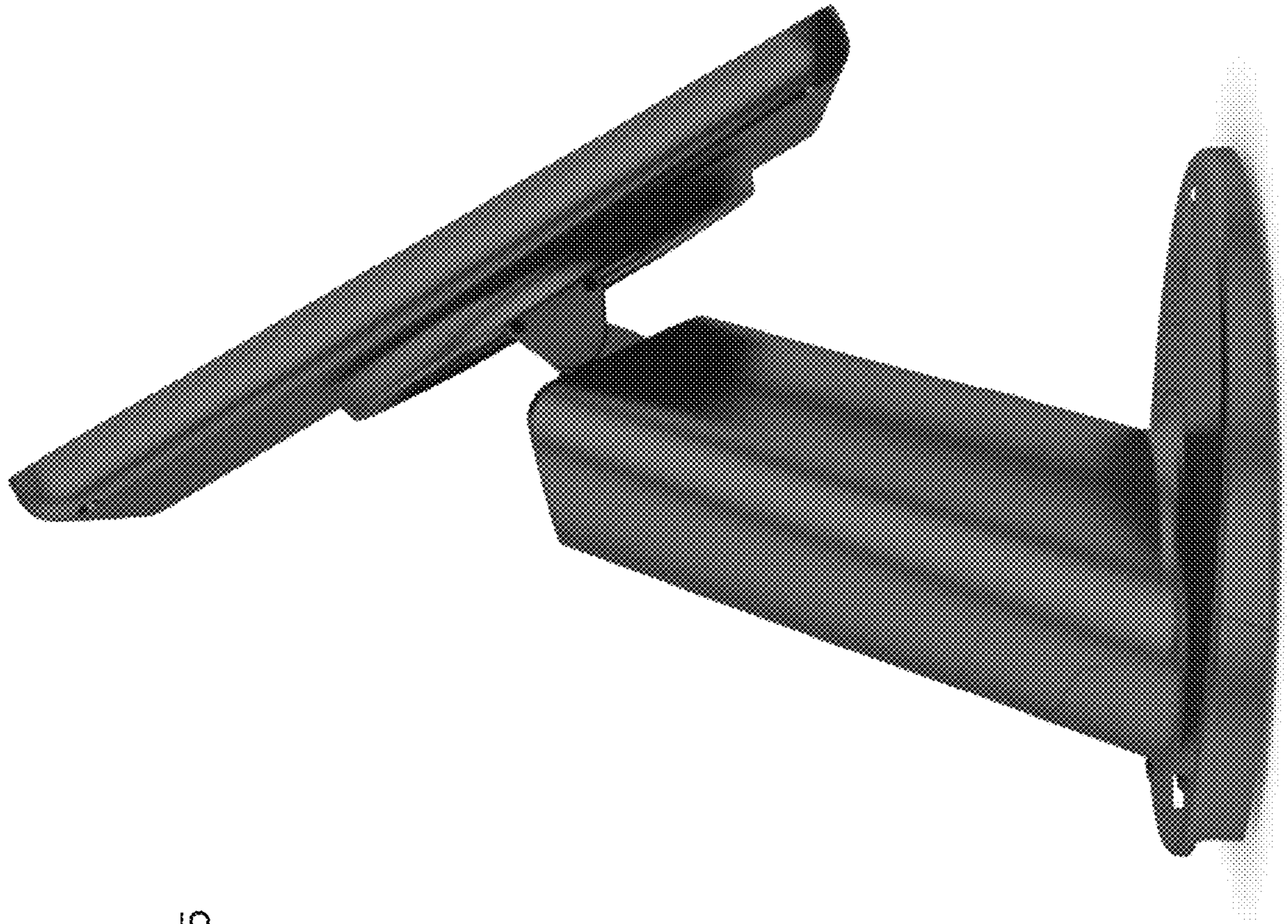


FIG. 5

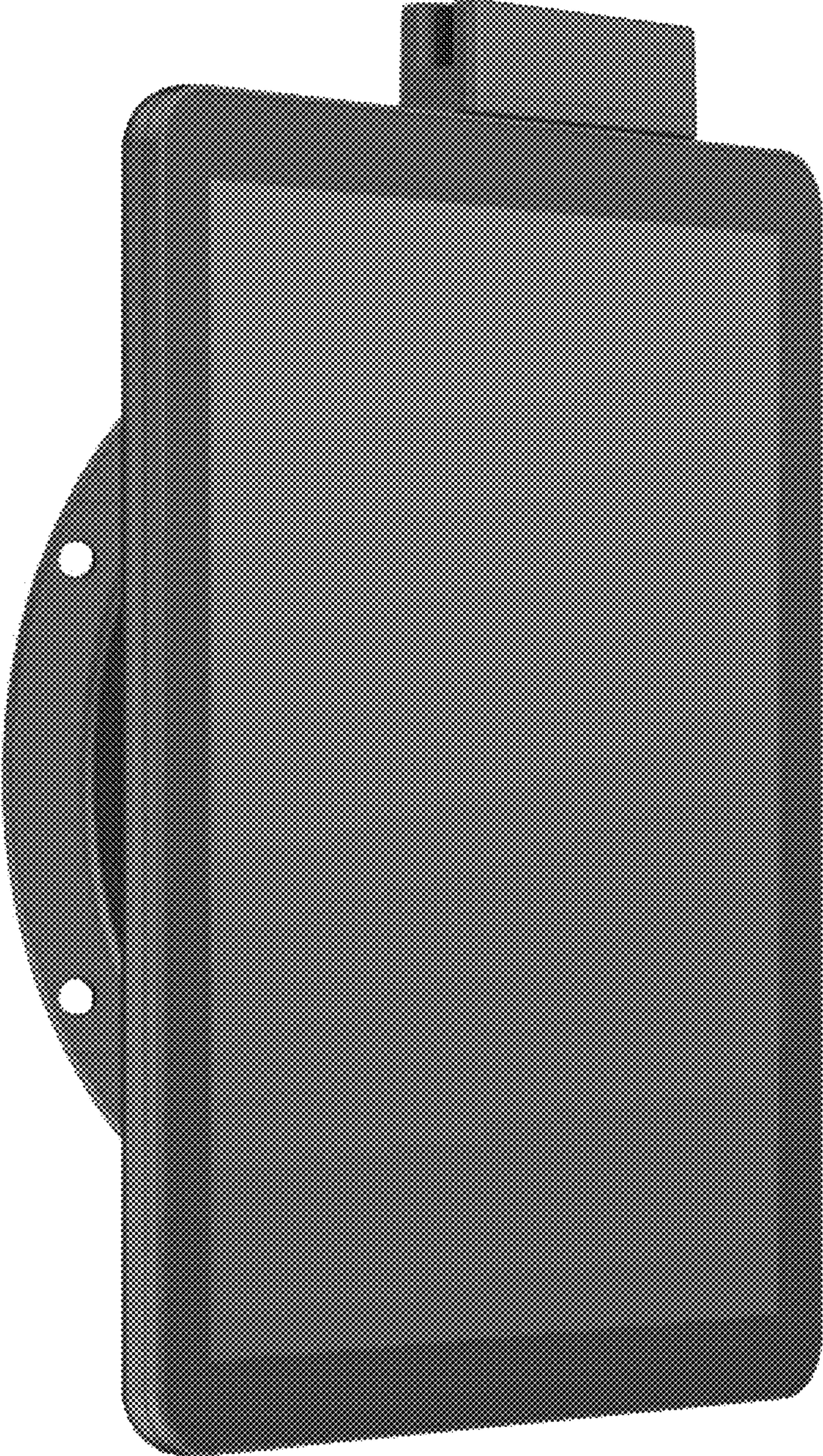


FIG. 6



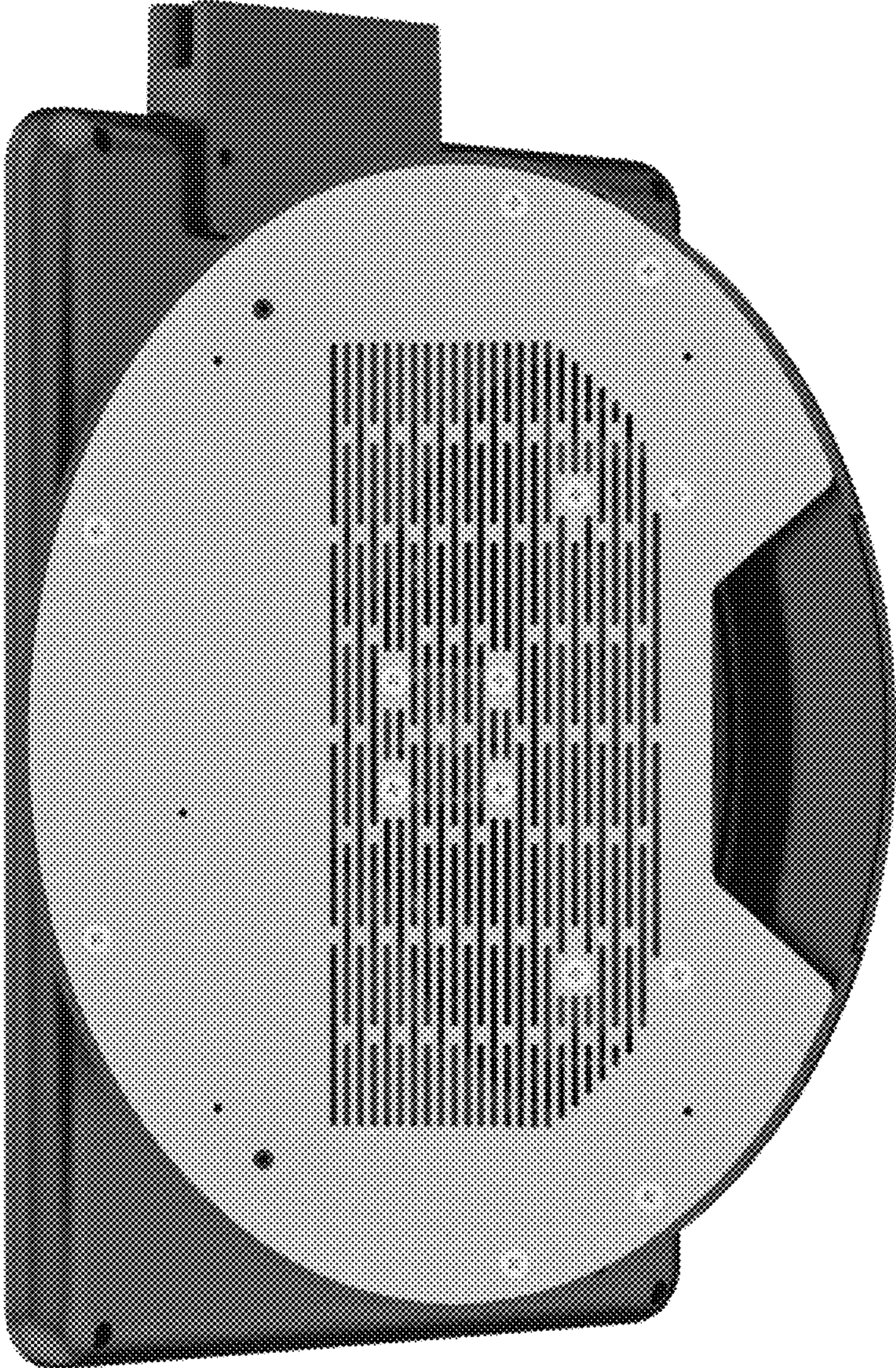


FIG. 7