



US00D882672S

(12) **United States Design Patent**
Xia

(10) **Patent No.:** **US D882,672 S**

(45) **Date of Patent:** **** Apr. 28, 2020**

(54) **SELFIE STICK**

(71) Applicant: **DONGGUAN OSM DIGITAL CO., LTD**, Dongguan (CN)

(72) Inventor: **Meihua Xia**, Shenzhen (CN)

(73) Assignee: **DONGGUAN OSM DIGITAL CO., LTD**, Dongguan (CN)

(**) Term: **15 Years**

(21) Appl. No.: **29/714,755**

(22) Filed: **Nov. 26, 2019**

(30) **Foreign Application Priority Data**

Oct. 29, 2019 (CN) 2019 3 0589511

(51) **LOC (12) Cl.** **16-05**

(52) **U.S. Cl.**
USPC **D16/243**

(58) **Field of Classification Search**
USPC D16/219, 237-250; D8/354, 355, 363, D8/373, 382-383, 394-396; D14/224, D14/229, 238, 251, 253, 356, 447, 451, D14/457
CPC A45F 5/00; A45F 5/10; A45F 2200/0508-0533; F16M 11/06-10; F16M 11/14; G02B 7/00-002; G03B 17/56; G03B 17/561-566; H04N 5/2253-2254
See application file for complete search history.

(56) **References Cited**

U.S. PATENT DOCUMENTS

D678,387 S * 3/2013 Stump D16/244
D765,649 S * 9/2016 Huang D14/253
D765,650 S * 9/2016 Huang D14/253
D783,701 S * 4/2017 Anari D16/243
D800,206 S * 10/2017 Moon D16/244

D821,483 S * 6/2018 Vitale D16/244
D836,703 S * 12/2018 Song D16/244
D852,872 S * 7/2019 Fang
D852,874 S * 7/2019 Bergman D16/243
D860,298 S * 9/2019 Balmer D16/244
D863,412 S * 10/2019 Liao D16/245
D871,492 S * 12/2019 Xiao D16/244

OTHER PUBLICATIONS

BlitzWolf Bluetooth Selfie Stick Tripod, Extendable Phone Tripod Selfie Stick with Wireless Remote and Mini Pocket Selfie Stick for iPhone X/8/8P/7/7P/6s/6, Galaxy S9/S8/S7/Note 9/8, Huawei and More , Retrieved Nov. 22, 2019]. Retrieved from Internet, <https://www.amazon.com/Bluetooth-Wireless-BlitzWolf-Extendable-Aluminum/dp/B07BTD4WH5/>.

(Continued)

Primary Examiner — Vy N Koenig

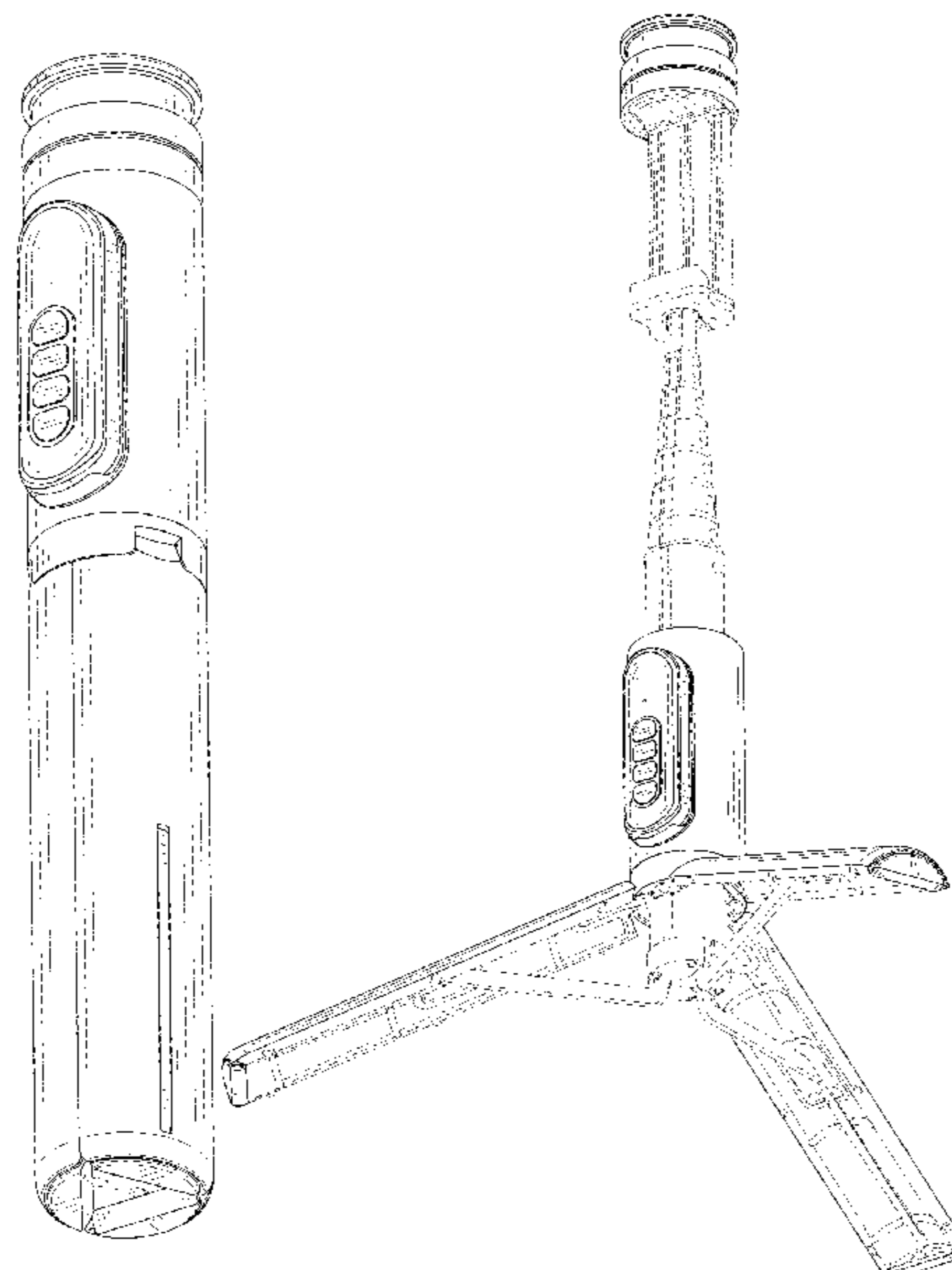
(57) **CLAIM**

The ornamental design for a selfie stick, as shown and described.

DESCRIPTION

FIG. 1 is a perspective view of a selfie stick showing my new design;
FIG. 2 is another perspective view thereof;
FIG. 3 is a front elevational view thereof;
FIG. 4 is a rear elevational view thereof;
FIG. 5 is a left side elevational view thereof;
FIG. 6 is a right side elevational view thereof;
FIG. 7 is a top plan view thereof;
FIG. 8 is a bottom plan view thereof; and,
FIG. 9 is a perspective view of the selfie stick where the selfie stick is in a configuration of use.
The broken lines in the drawings depict portions of the selfie stick that form no part of the claimed design.

1 Claim, 9 Drawing Sheets



(56)

References Cited

OTHER PUBLICATIONS

Yoozon Selfie Stick Tripod Bluetooth, Extendable Phone Tripod Selfie Stick with Wireless Remote Shutter for iPhone 11/11 Pro/11 Pro Max/Xs MAX/XR/XS/X, Galaxy Note 10/Note 10 Plus/S9, Huawei and More , Retrieved Nov. 22, 2019]. Retrieved from Internet, <https://www.amazon.com/Yoozon-Selfie-Bluetooth-Extendable-Wireless/dp/B075DVXBPB/>.

* cited by examiner

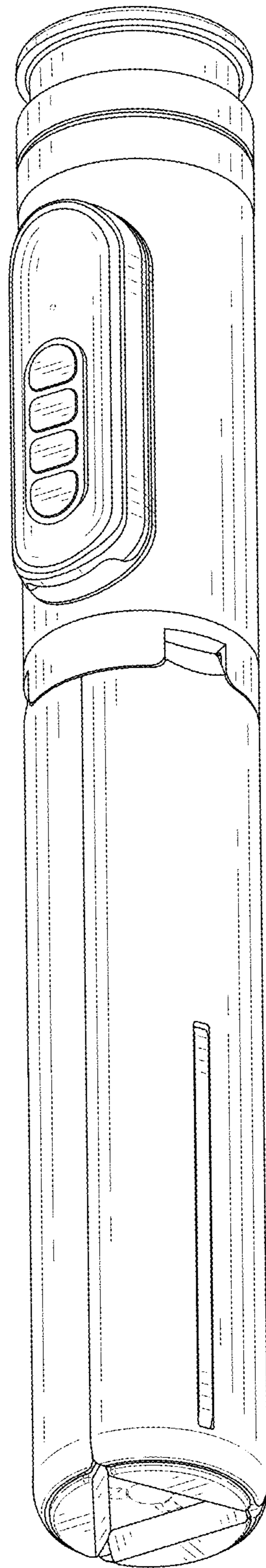


FIG. 1

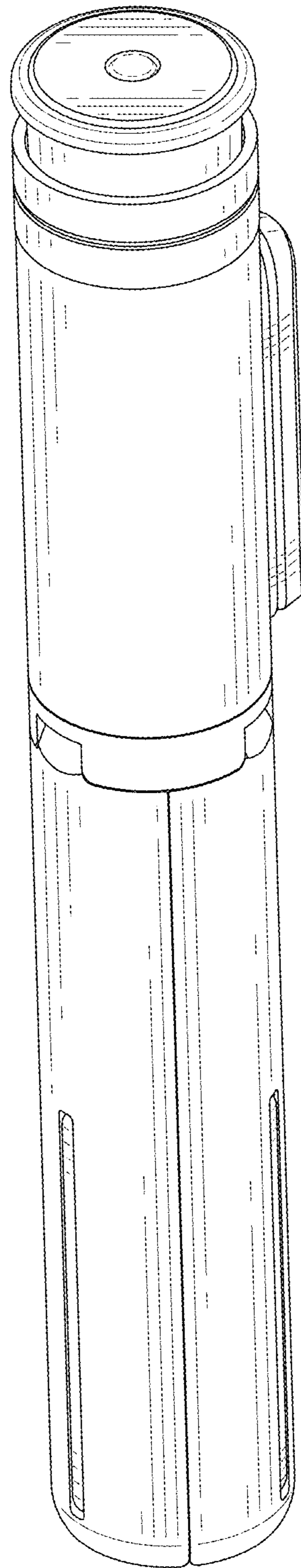


FIG. 2

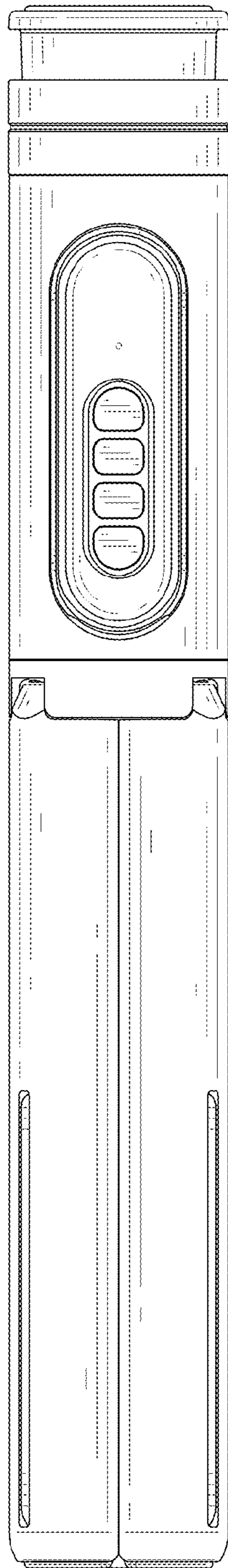


FIG. 3

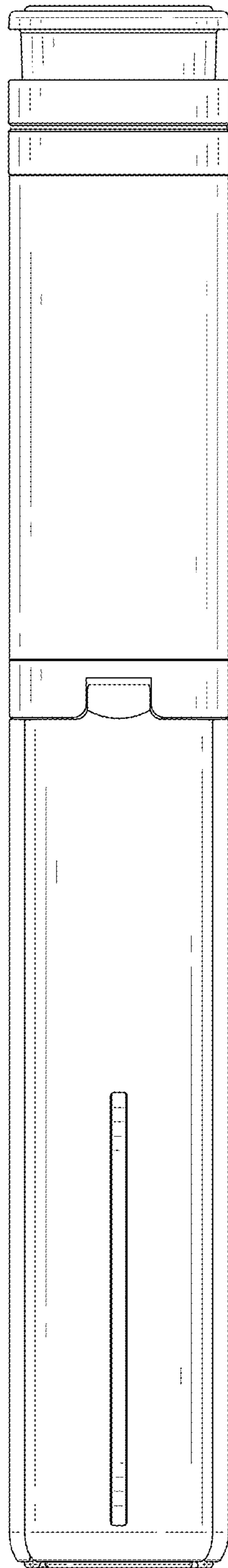


FIG. 4

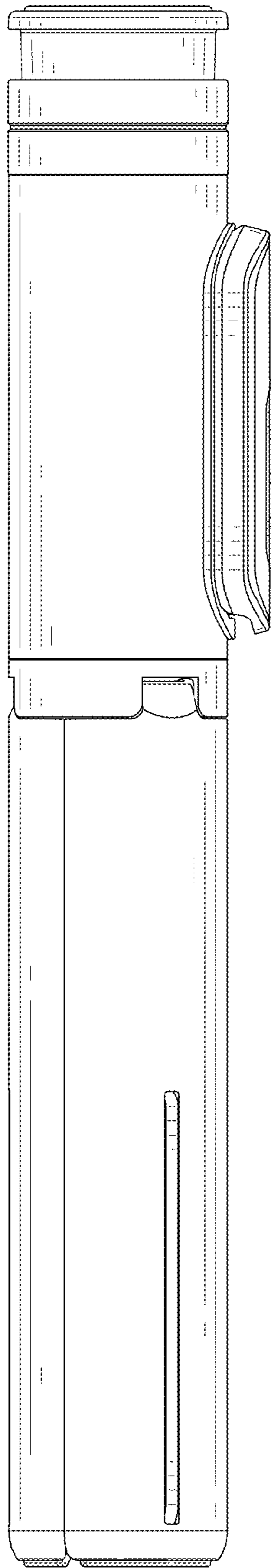


FIG. 5

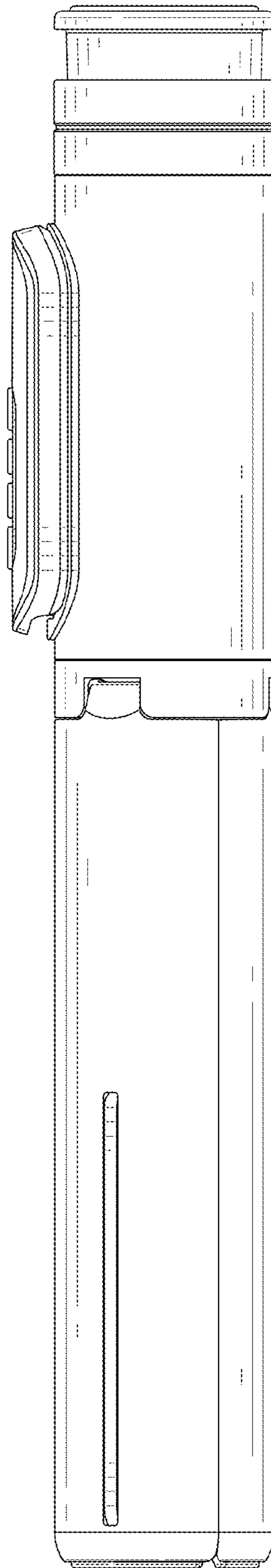


FIG. 6

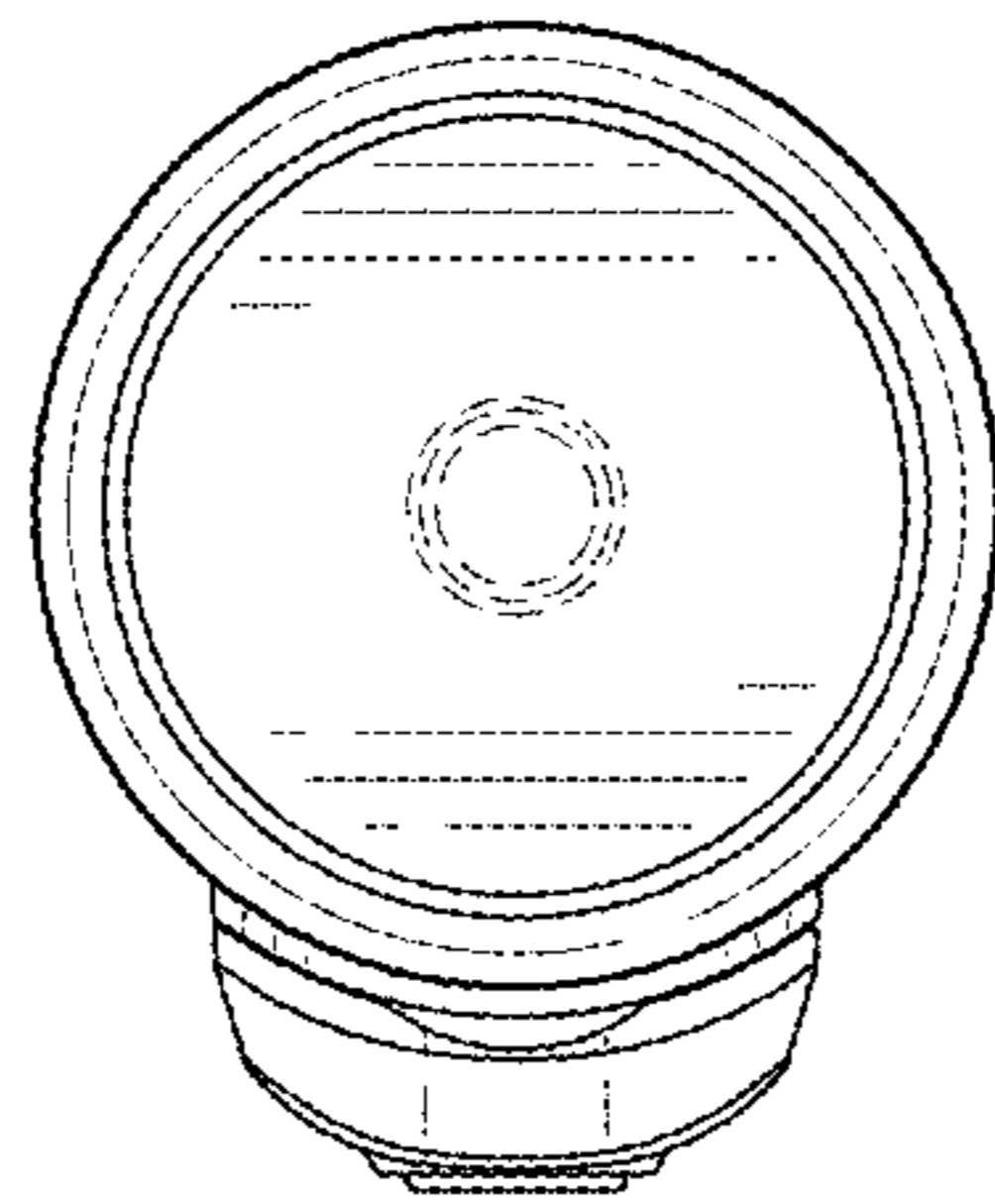


FIG. 7

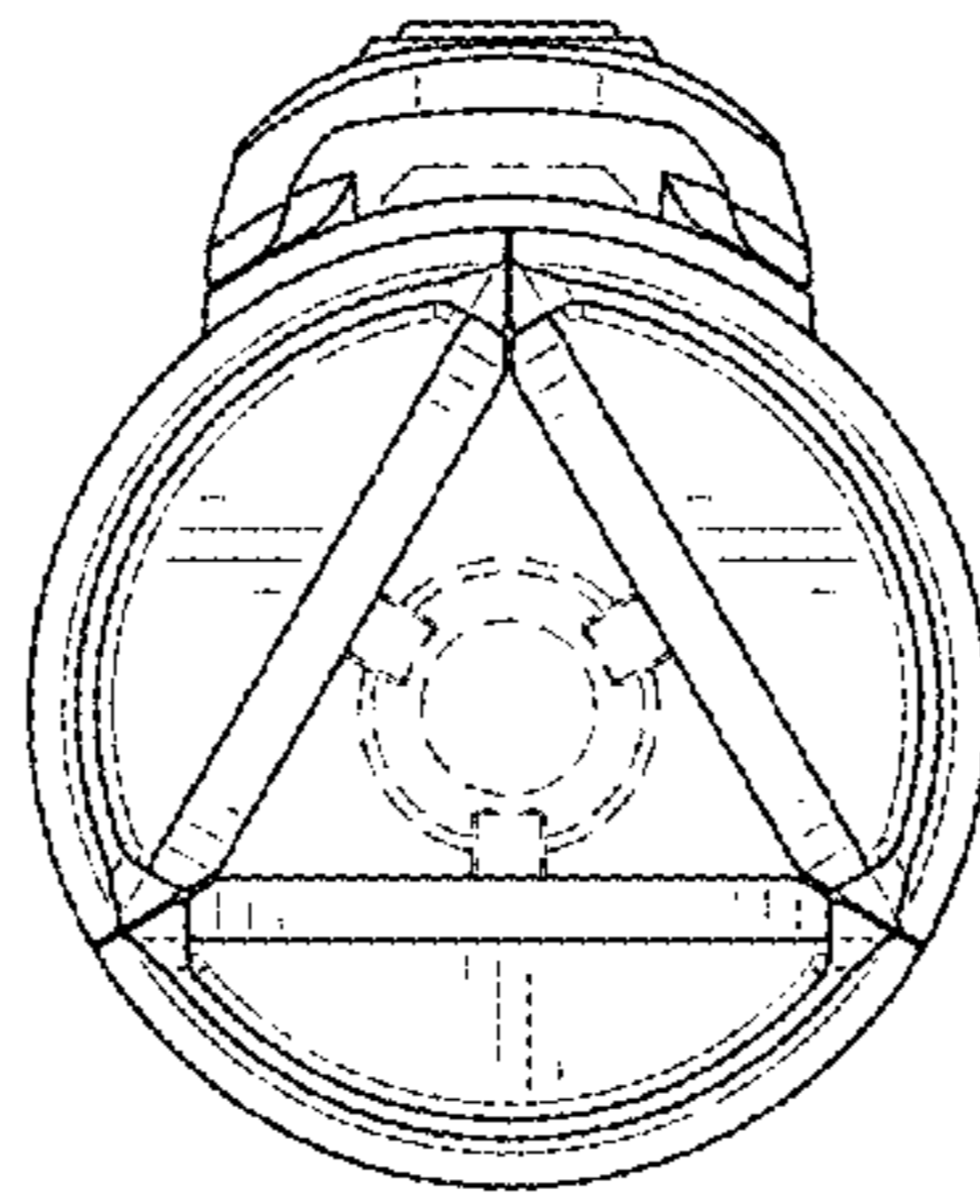


FIG. 8

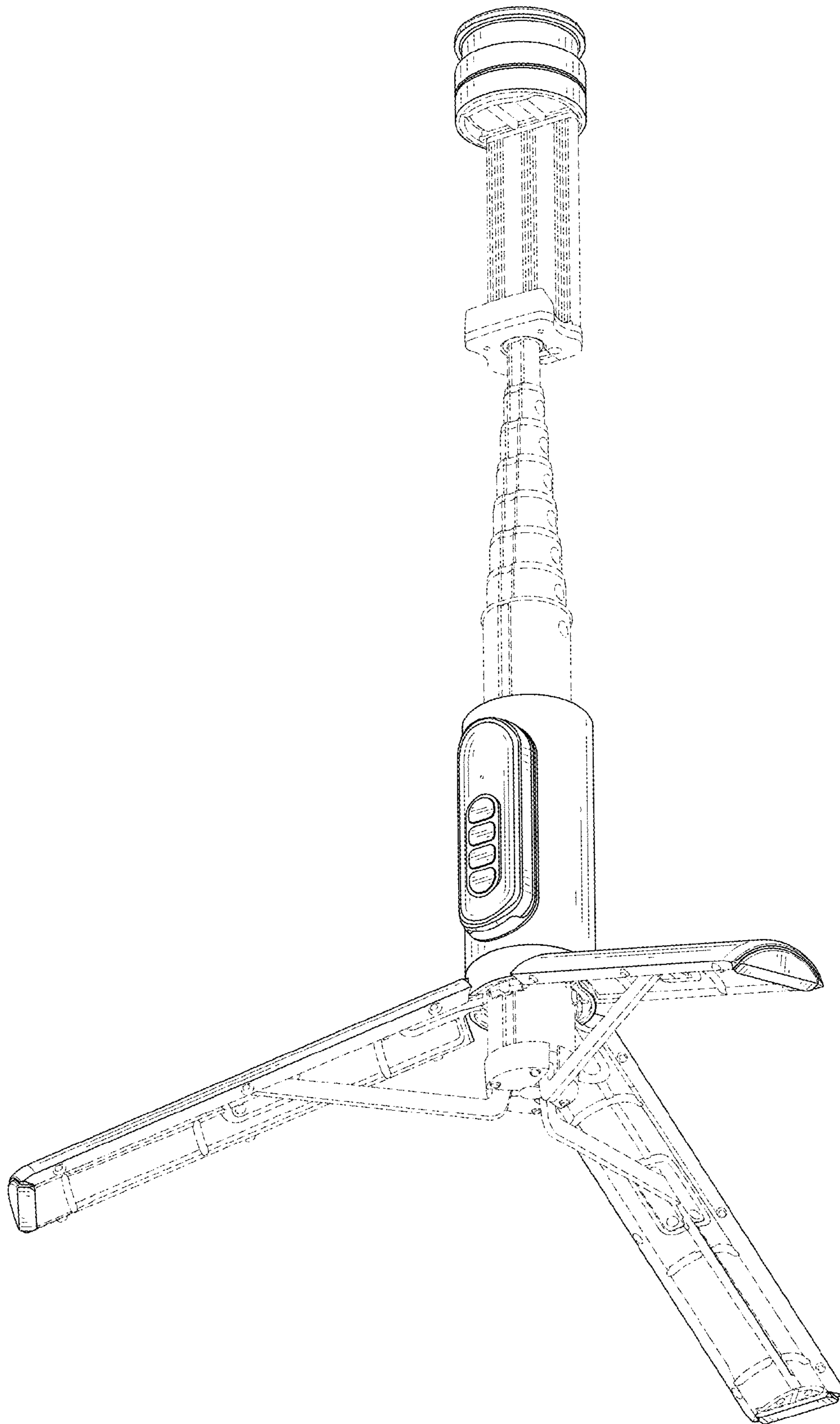


FIG. 9