



US00D882671S

(12) **United States Design Patent**
Yang

(10) **Patent No.:** **US D882,671 S**

(45) **Date of Patent:** **** Apr. 28, 2020**

(54) **PORTABLE MOTORIZED CAMERA SLIDER**

(71) Applicant: **Shenzhen FilmSpider Intelligent Technology Co., Ltd, Shenzhen (CN)**

(72) Inventor: **Zhenyu Yang, Raoping (CN)**

(**) Term: **15 Years**

(21) Appl. No.: **29/676,833**

(22) Filed: **Jan. 15, 2019**

(51) **LOC (12) Cl.** **16-05**

(52) **U.S. Cl.**

USPC **D16/242; D16/237**

(58) **Field of Classification Search**

USPC D16/219, 237-250; D8/354, 355, 363, D8/373, 382-383, 394-396; D14/224, D14/229, 238, 251, 253, 356, 447, 451, D14/457

CPC A45F 5/00; A45F 5/10; A45F 2200/0508-0533; F16M 11/06-10; F16M 11/14; G02B 7/00-002; G03B 17/56; G03B 17/561-568; H04N 5/2253-2254
See application file for complete search history.

(56) **References Cited**

U.S. PATENT DOCUMENTS

D413,608 S *	9/1999	Bryant	D14/253
D426,235 S *	6/2000	Phirippidis	D14/253
7,452,142 B1 *	11/2008	Smith	G03B 17/00 33/266
D624,949 S *	10/2010	Nakayama	D16/235
D640,306 S *	6/2011	Hashiguchi	D16/242
D675,242 S *	1/2013	O'Donnell	D16/242
D710,836 S *	8/2014	Wengreen	D14/238
D711,455 S *	8/2014	Inoue	D16/235
D712,906 S *	9/2014	Wengreen	D14/451
D785,638 S *	5/2017	Hsu	D14/447
2014/0161434 A1 *	6/2014	Koymen	G03B 17/561 396/428

2014/0319300 A1 *	10/2014	Kessler	G03B 17/561 248/285.1
2015/0234258 A1 *	8/2015	Hida	G03B 17/561 396/428
2016/0216596 A1 *	7/2016	Hart	G03B 17/561

(Continued)

OTHER PUBLICATIONS

Camera Slider Motorized. [online] Published on Apr. 12, 2019. Retrieved Jan. 6, 2020 from URL: https://www.amazon.com/Motorized-Aluminum-Retractable-Portable-Camcorder/dp/B07QN6JQ6N/ref=sr_1_1?keywords=YC+ONION&qid=1578334960&refinements=p_n_condition-type%3A6461716011&sr=8-1.*

(Continued)

Primary Examiner — Vy N Koenig

(74) *Attorney, Agent, or Firm* — Jie Yang; ZANIP

(57) **CLAIM**

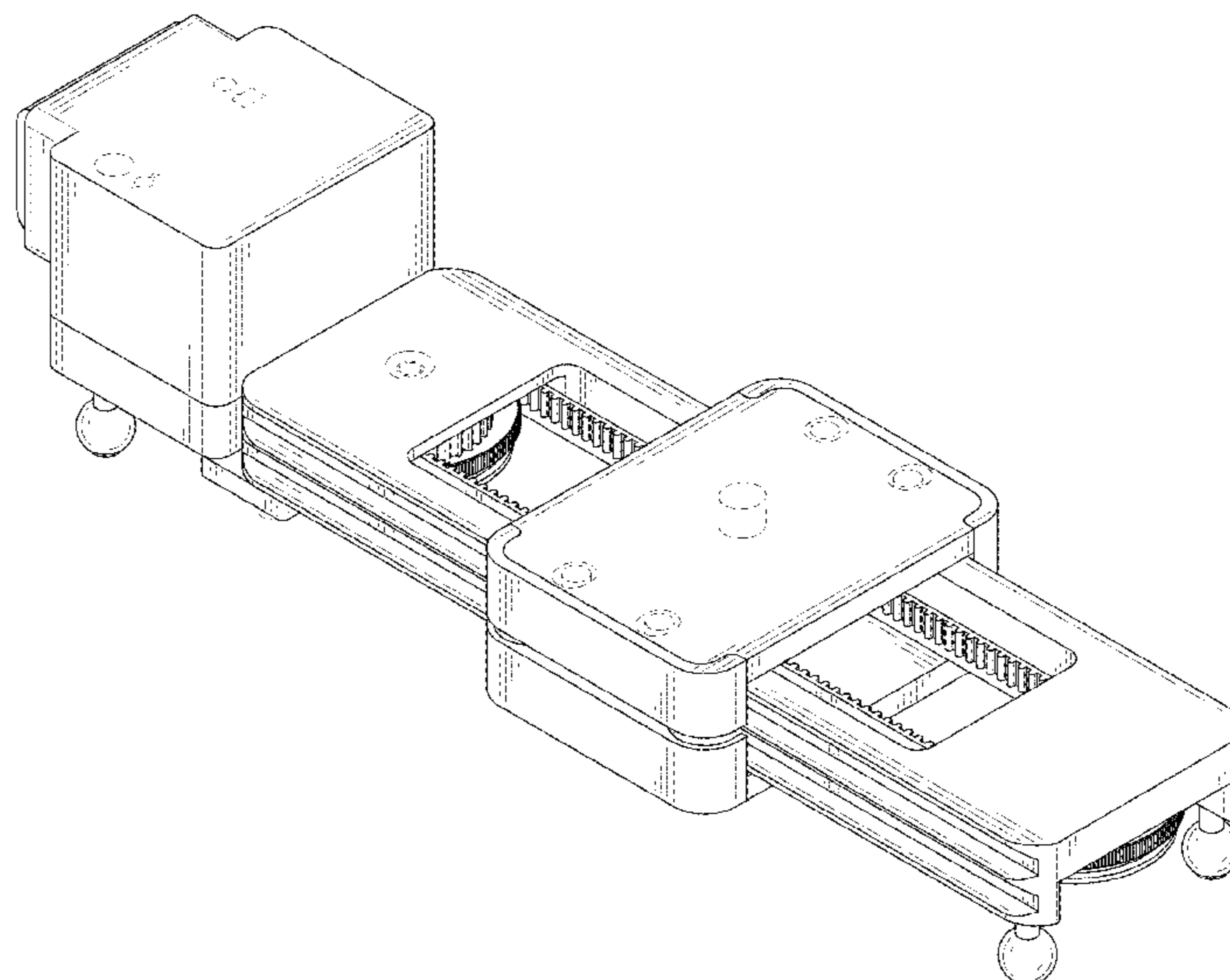
The ornamental design for a portable motorized camera slider, as shown and described.

DESCRIPTION

FIG. 1 is a first perspective view of a portable motorized camera slider showing my design; FIG. 2 is a second perspective view thereof; FIG. 3 is a front view thereof; FIG. 4 is a back view thereof; FIG. 5 is a left side view thereof; FIG. 6 is a right side view thereof; FIG. 7 is a top plan view thereof; FIG. 8 is a bottom plan view thereof; FIG. 9 is a perspective view of another state of the portable motorized camera slider; and, FIG. 10 is an enlarged view of the selected portion of FIG. 2.

The dashed or broken lines shown in the drawings depict portions of the portable motorized camera slider in which the design is embodied that form no part of the claimed design.

1 Claim, 10 Drawing Sheets



(56)

References Cited

U.S. PATENT DOCUMENTS

2016/0299411 A1* 10/2016 Chapman G03B 17/561

OTHER PUBLICATIONS

GVM Motorized Camera Slider Mini. [online] Published Jun. 25, 2019. Retrieved Jan. 6, 2020 from URL: https://www.amazon.com/GVM-Motorized-Video-Photographers-filmmakers/dp/B07THG65TZ/ref=sr_1_3?keywords=GVM+Motorized+Camera+Slider+Mini&qid=1578335409&s=electronics&sr=1-3.*

* cited by examiner

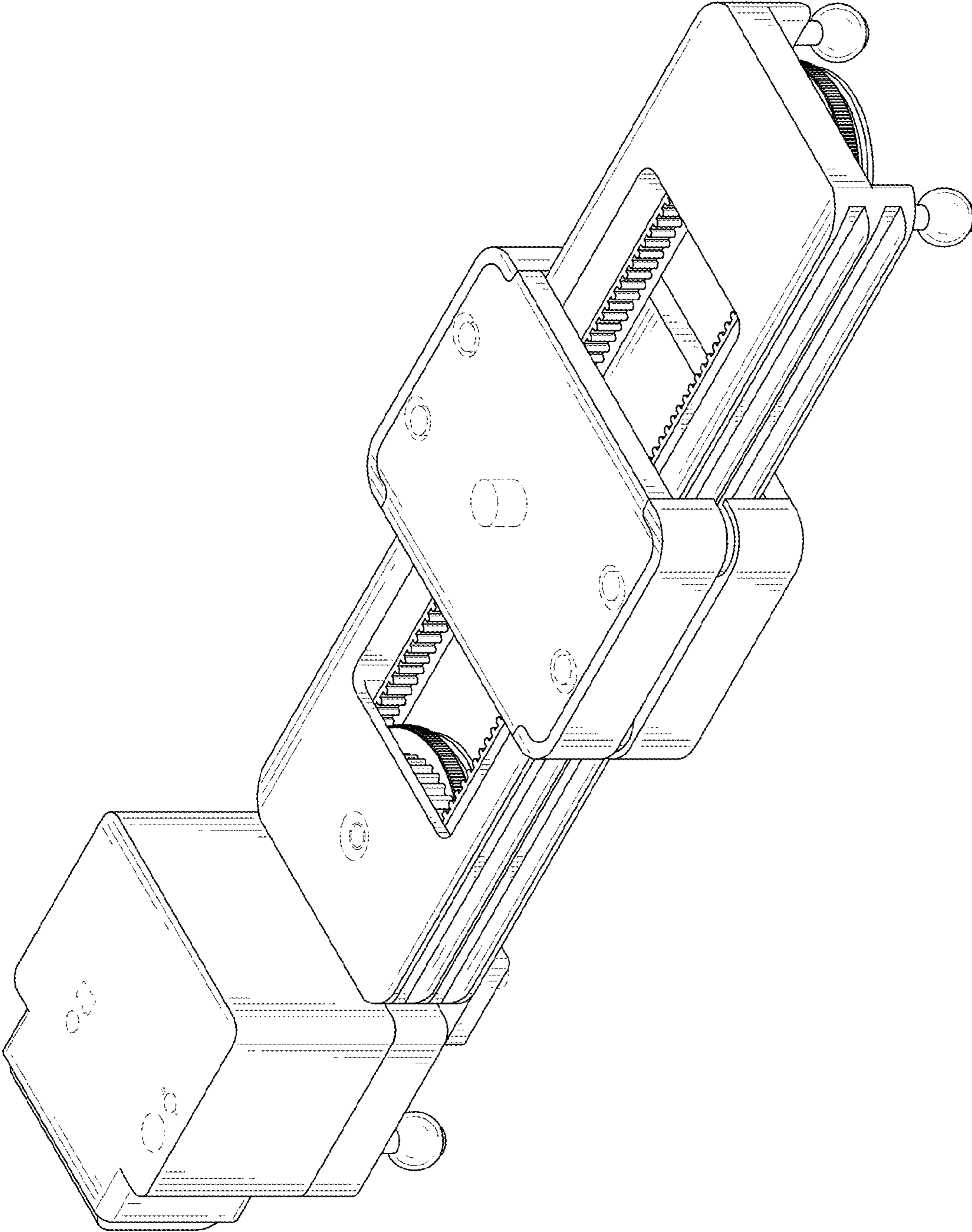


FIG. 1

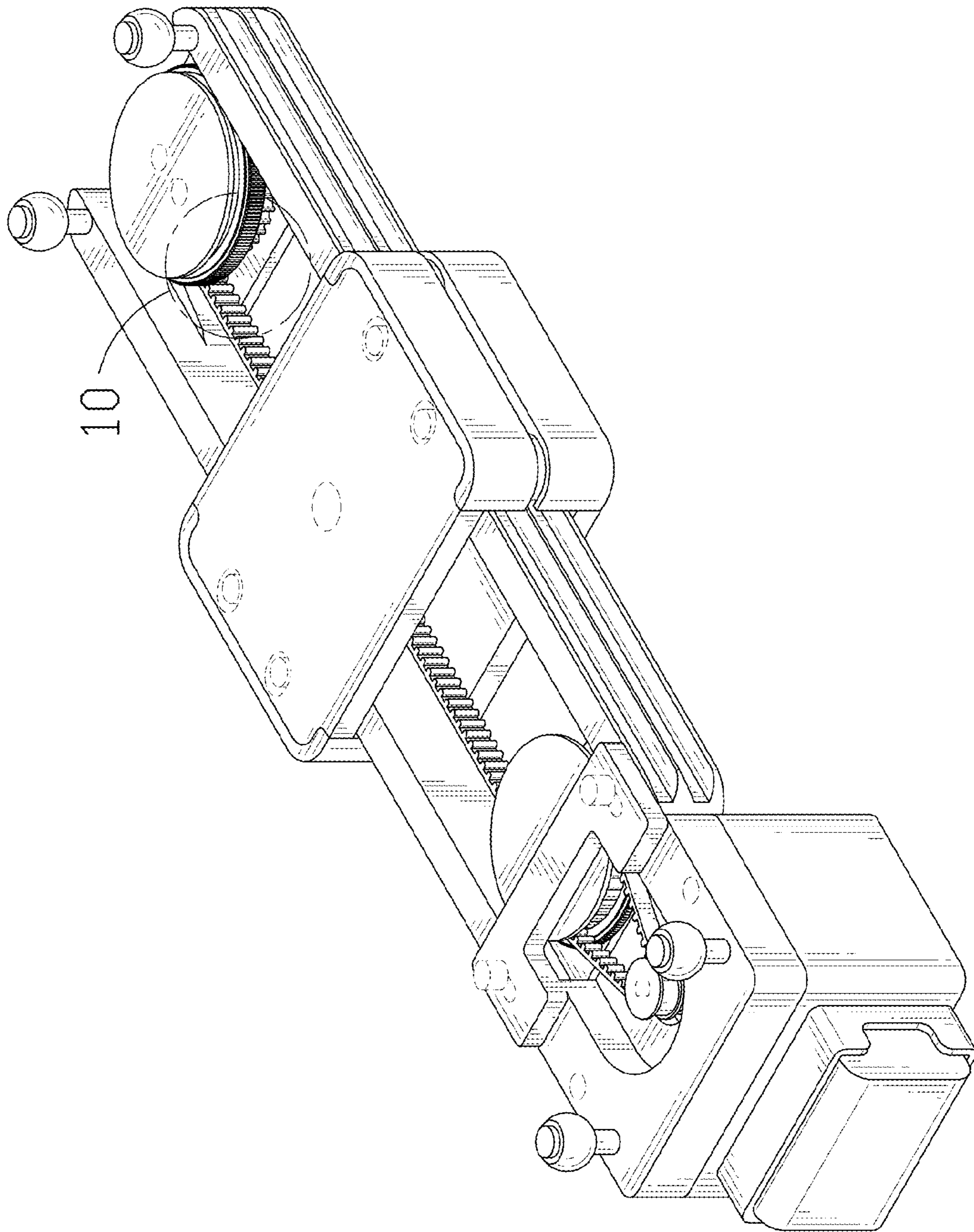


FIG. 2

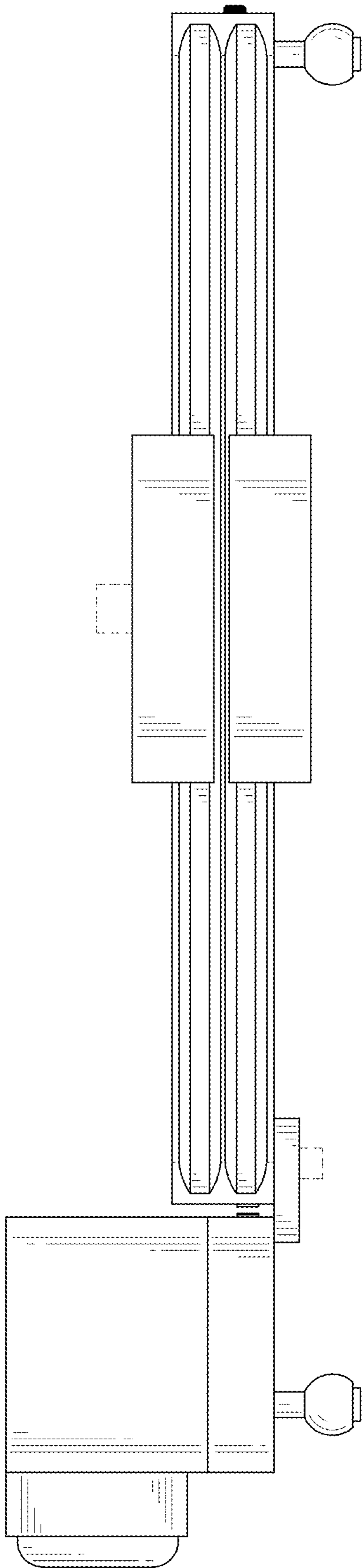


FIG. 3

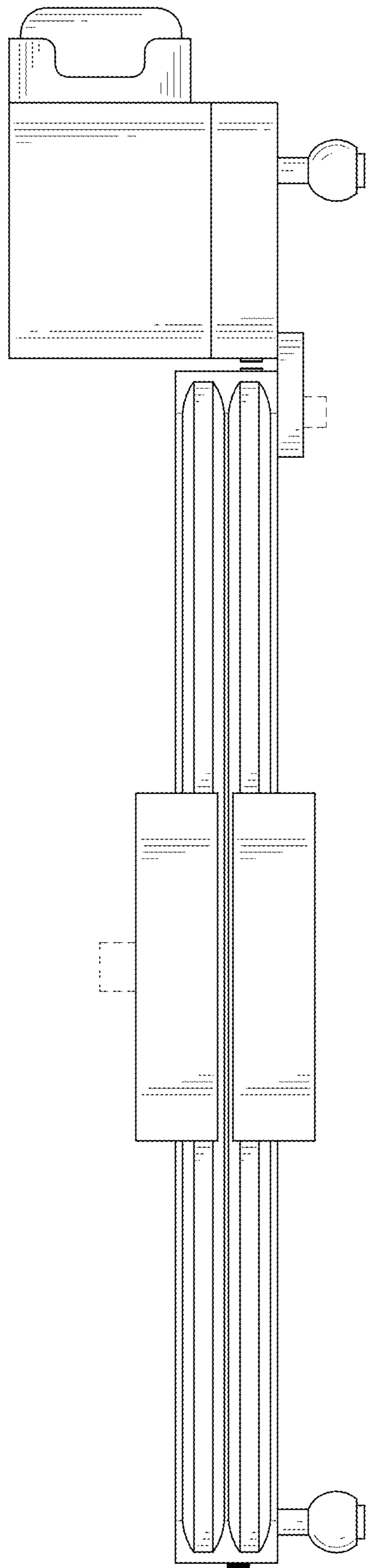


FIG. 4

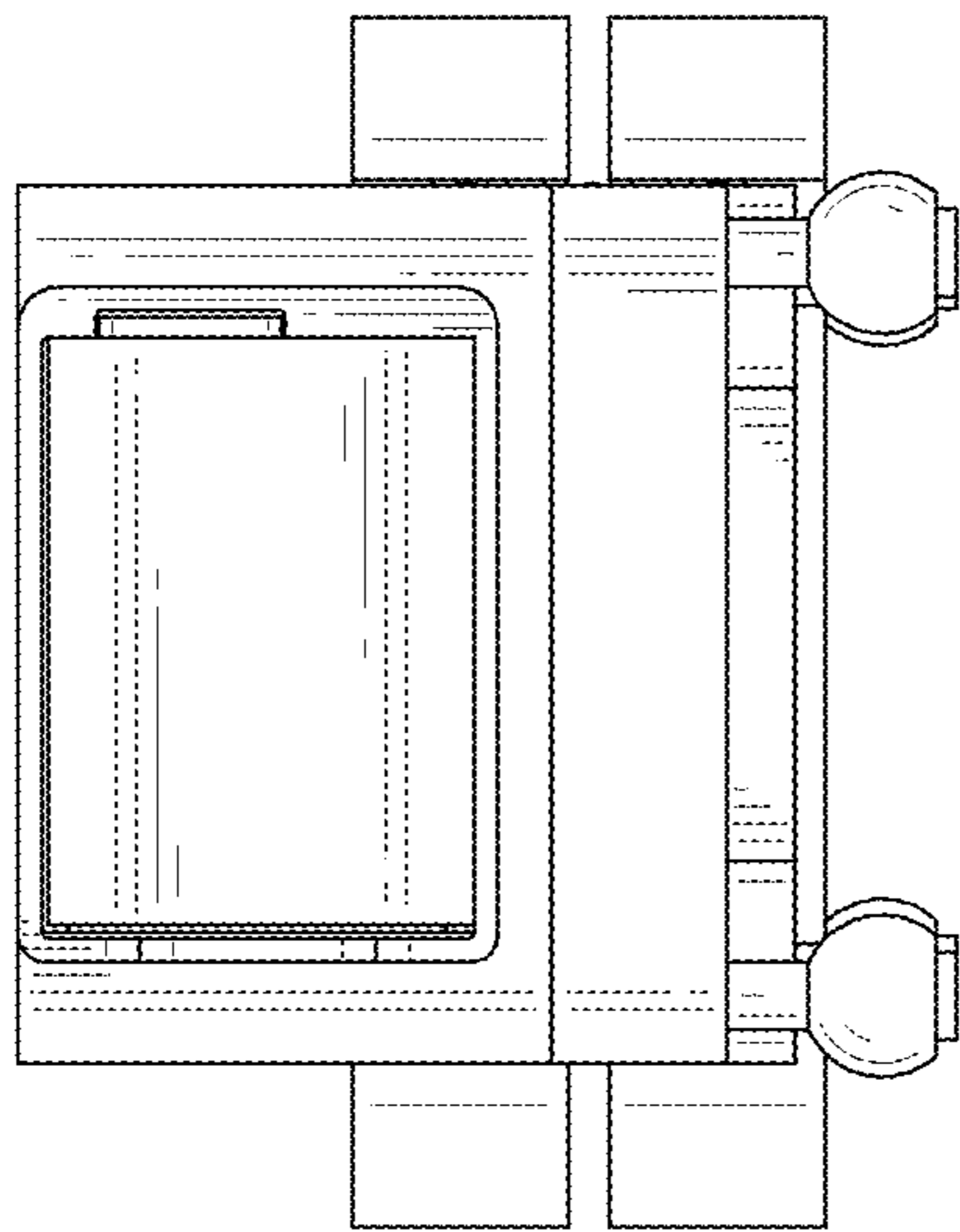


FIG. 5

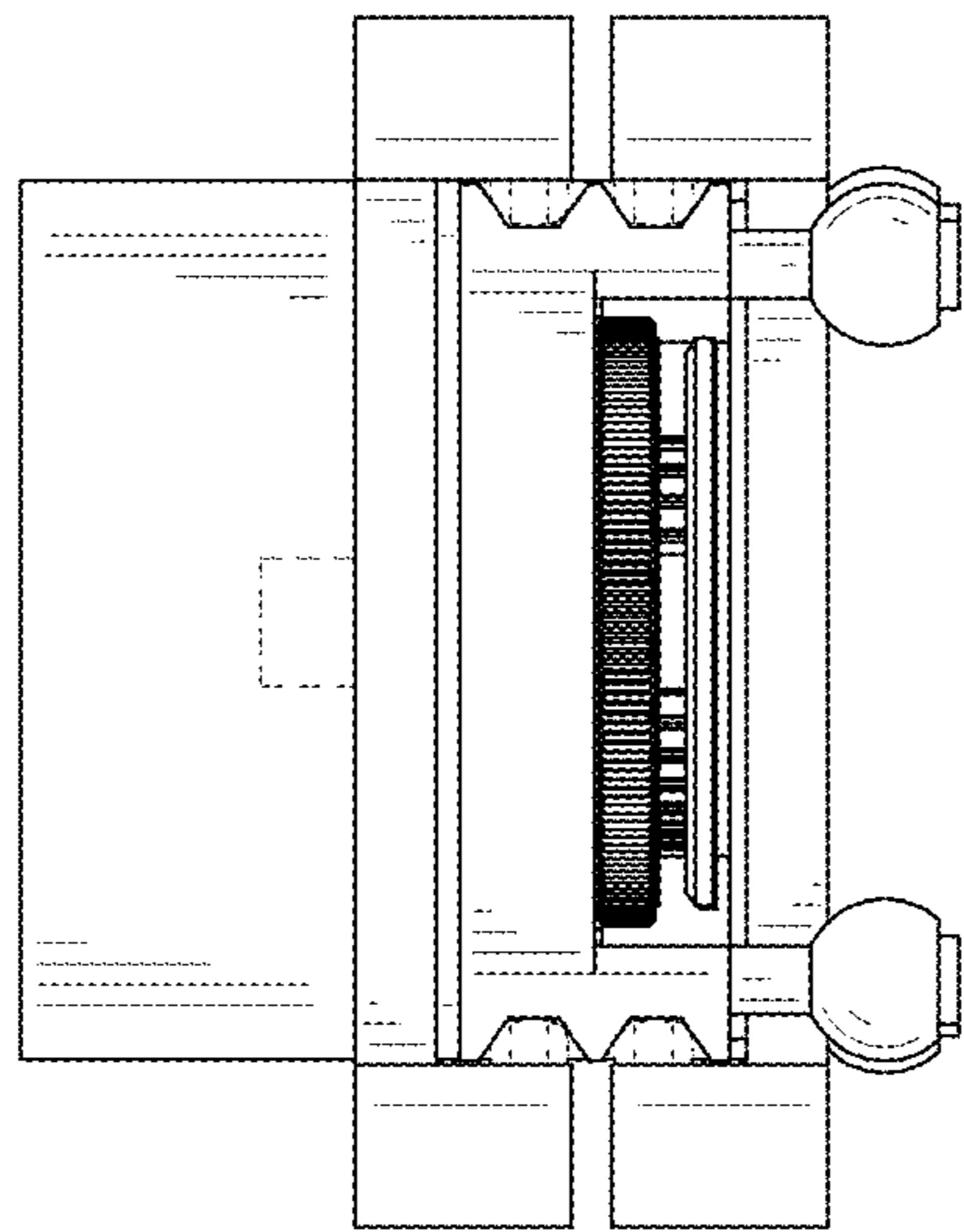


FIG. 6

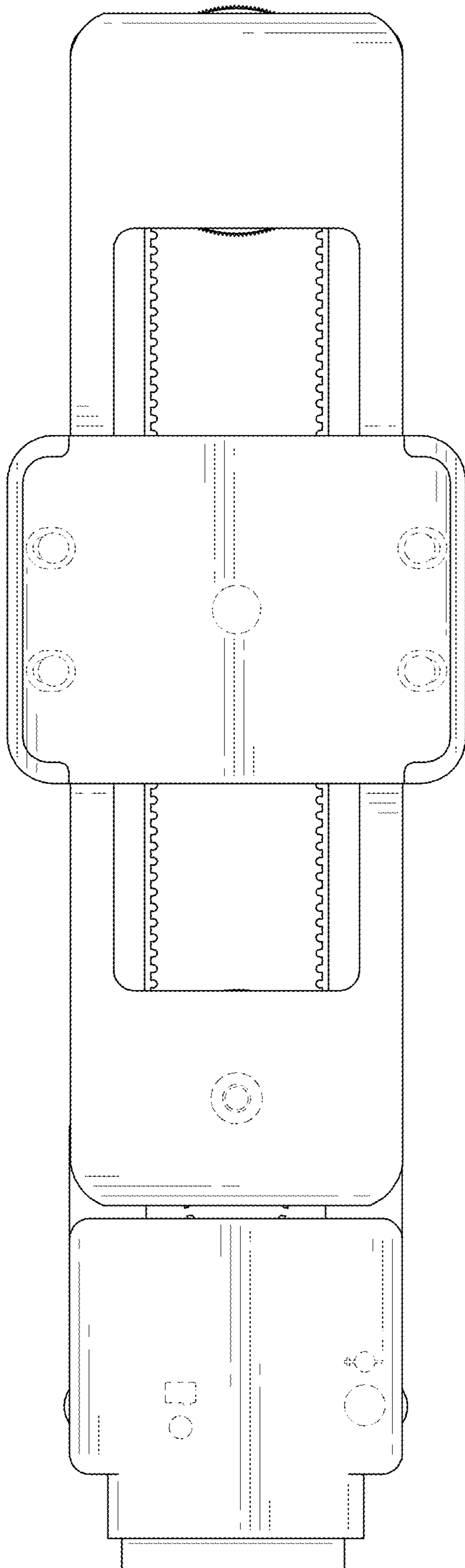


FIG. 7

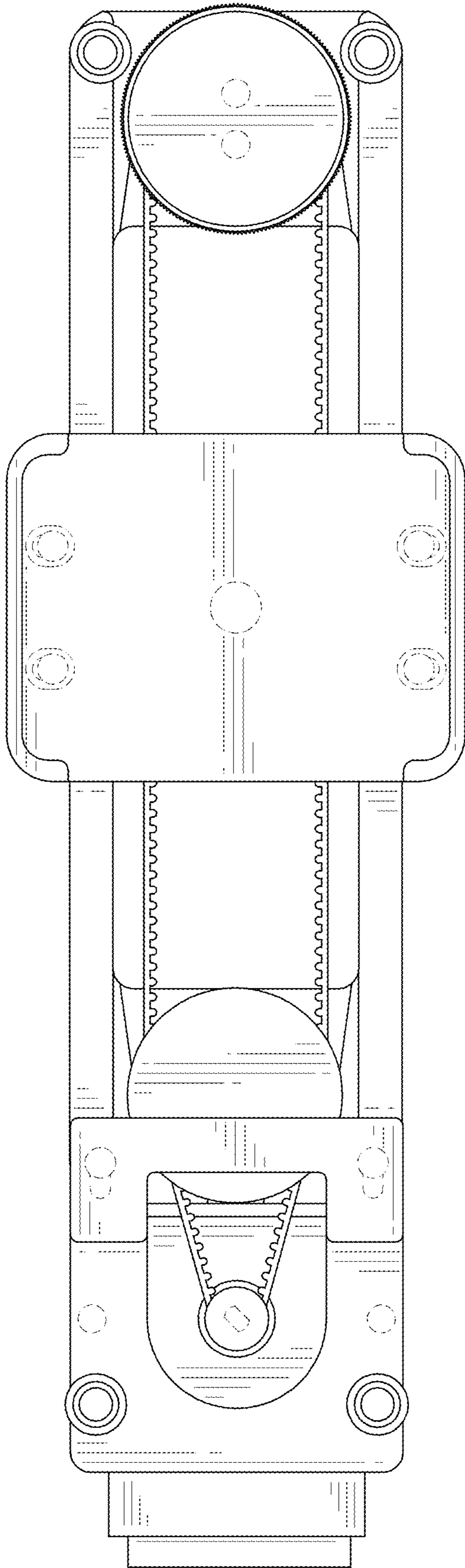


FIG. 8

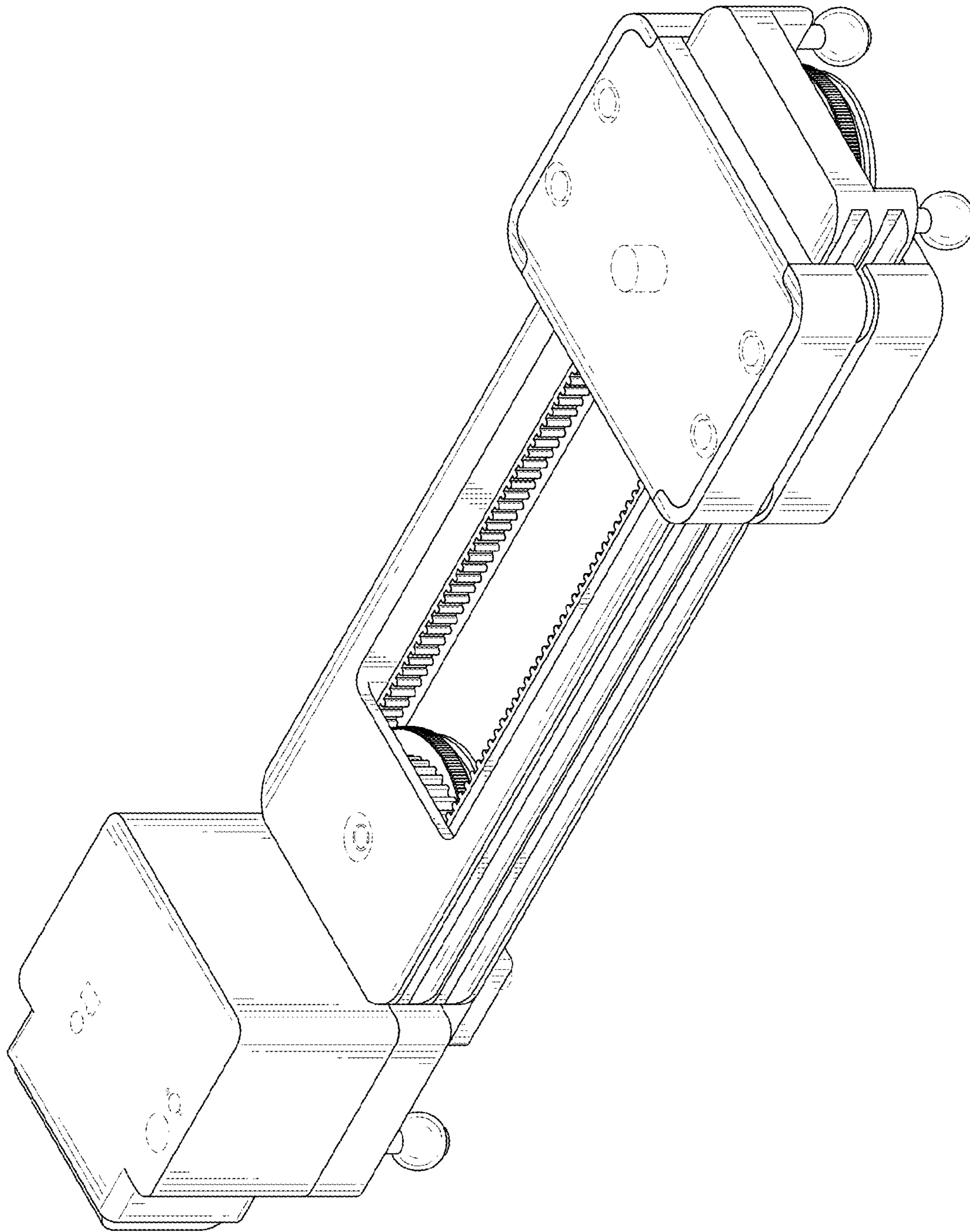


FIG. 9

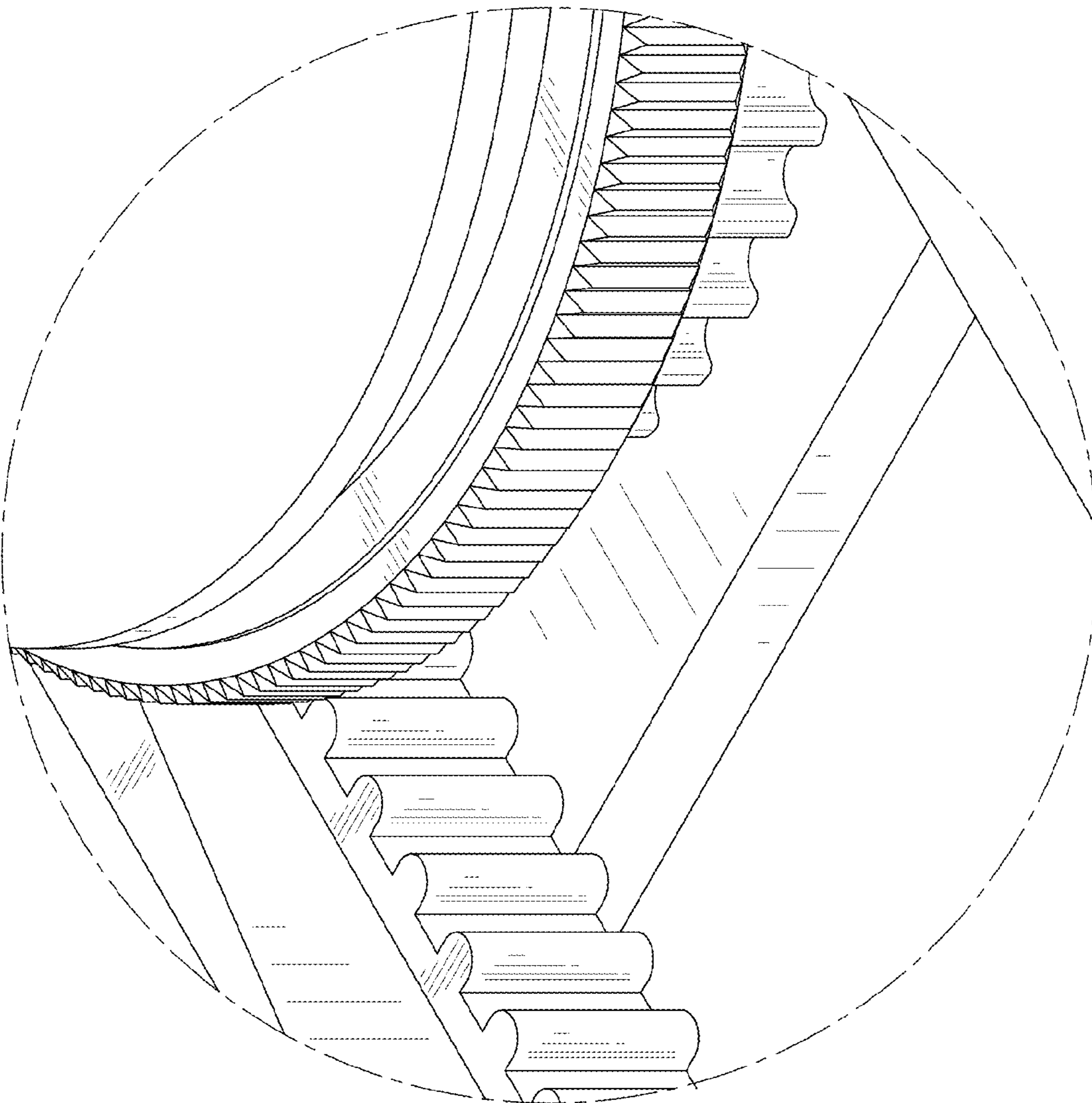


FIG. 10