



US00D882670S

(12) **United States Design Patent**
He

(10) **Patent No.:** **US D882,670 S**

(45) **Date of Patent:** **** Apr. 28, 2020**

(54) **PROJECTOR**

(71) Applicant: **Lezhong He**, Guangdong (CN)

(72) Inventor: **Lezhong He**, Guangdong (CN)

(73) Assignee: **Shenzhen Shengtaian Digital Technology Co., Ltd.**, Shenzhen, Guangdong (CN)

(**) Term: **15 Years**

(21) Appl. No.: **29/670,764**

(22) Filed: **Nov. 19, 2018**

(51) **LOC (12) Cl.** **16-02**

(52) **U.S. Cl.**
USPC **D16/230**

(58) **Field of Classification Search**
USPC D16/221, 225, 230–231, 234; D21/514;
353/115, 119, 122
CPC G03B 21/145; G03B 21/14; G03B 21/12;
G03B 21/001; G03B 21/003; G03B 21/16
See application file for complete search history.

(56) **References Cited**

U.S. PATENT DOCUMENTS

D491,973 S * 6/2004 Morishita D16/225
D497,929 S * 11/2004 Ohki D16/230

D555,185 S * 11/2007 Nozue D16/225
D590,865 S * 4/2009 Nishimura D16/230
8,104,902 B2 * 1/2012 Mao G03B 21/16
348/241
D658,699 S * 5/2012 Azuma D16/225
D850,516 S * 6/2019 Zhang D16/230

* cited by examiner

Primary Examiner — Wan Laymon

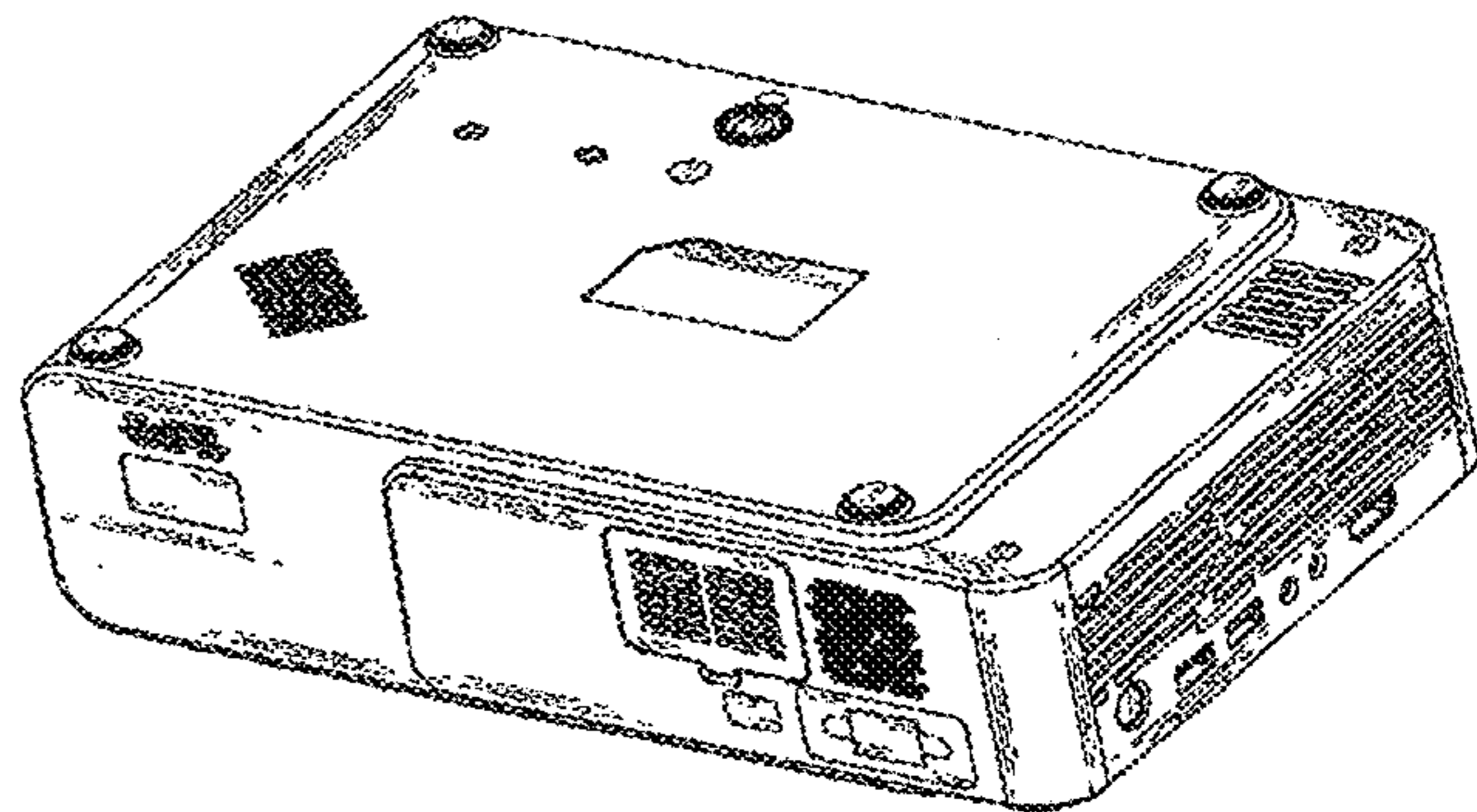
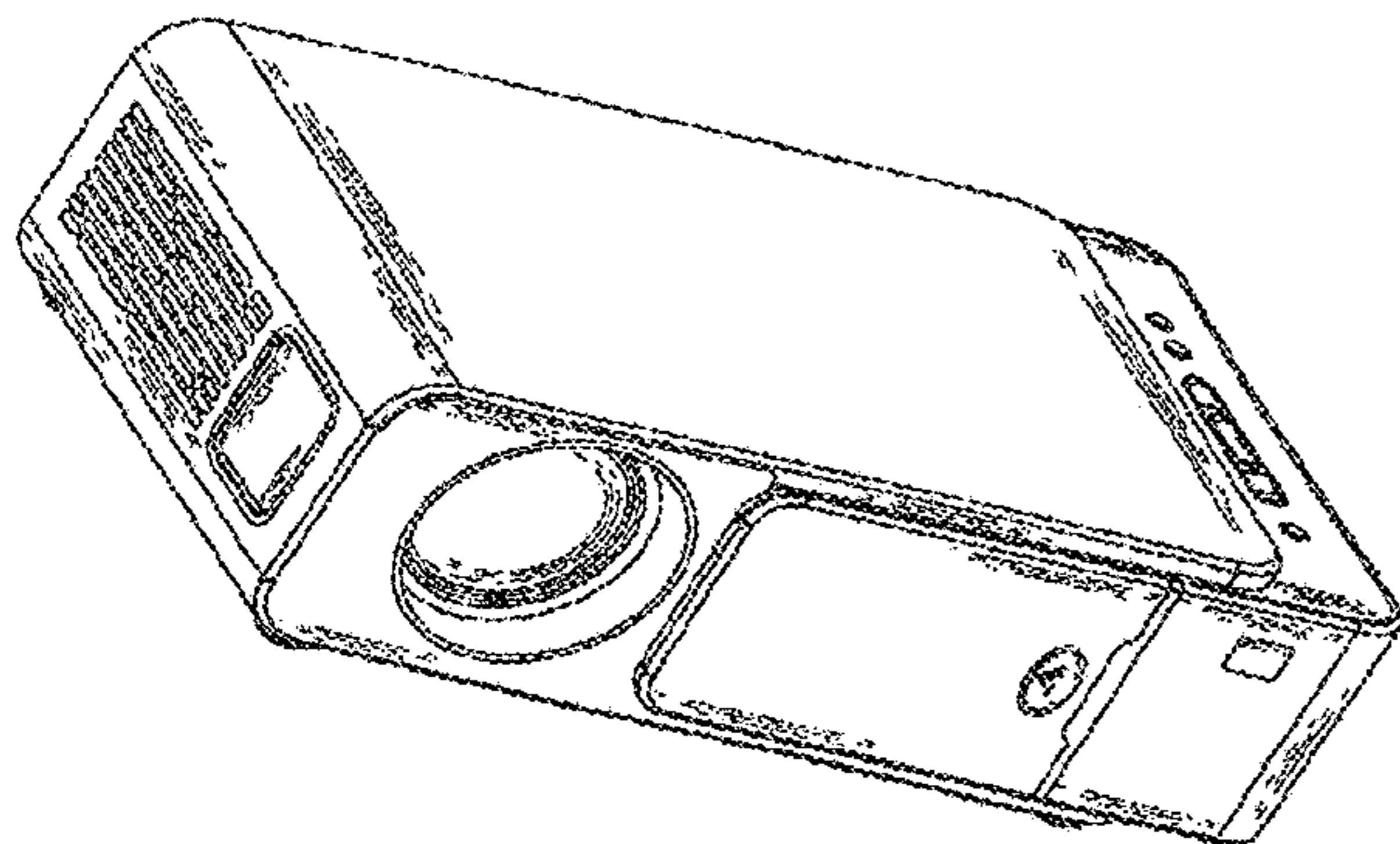
(57) **CLAIM**

The ornamental design for a projector, as shown and described.

DESCRIPTION

FIG. 1 is a front top left side perspective view of a projector showing my new design;
FIG. 2 is a front elevational view thereof;
FIG. 3 is a rear elevational view thereof;
FIG. 4 is a left side elevational view thereof;
FIG. 5 is a right side elevational view thereof;
FIG. 6 is a top plan view thereof;
FIG. 7 is a bottom plan view thereof; and,
FIG. 8 is a bottom rear bottom right side perspective view thereof.

1 Claim, 8 Drawing Sheets



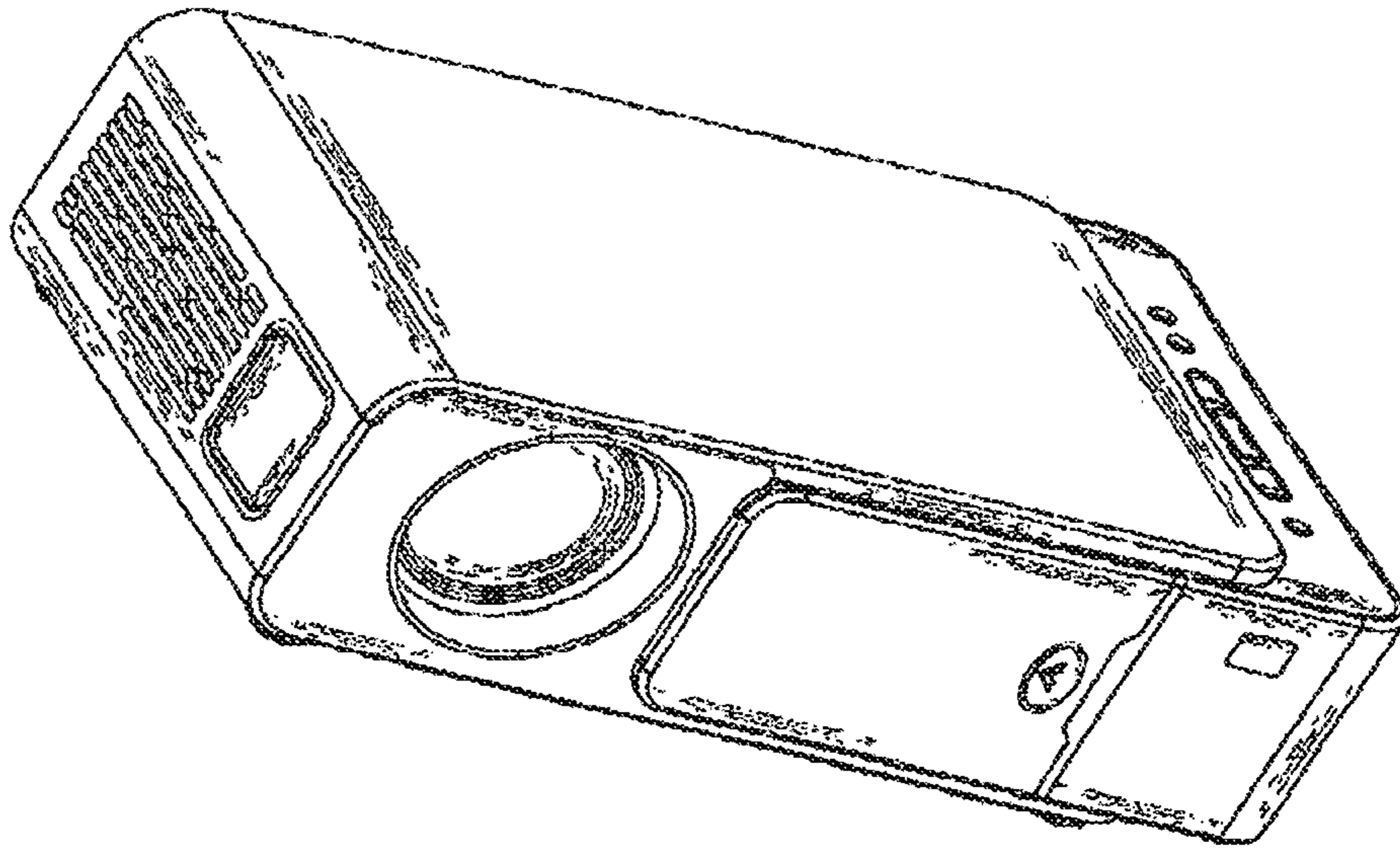


FIG.1

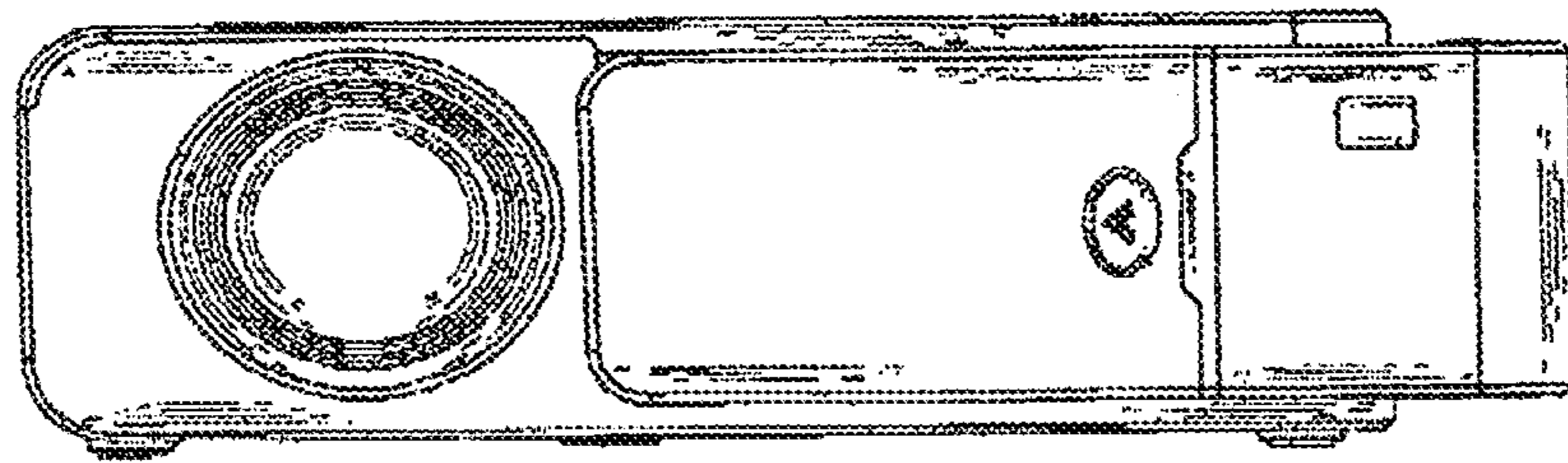


FIG.2

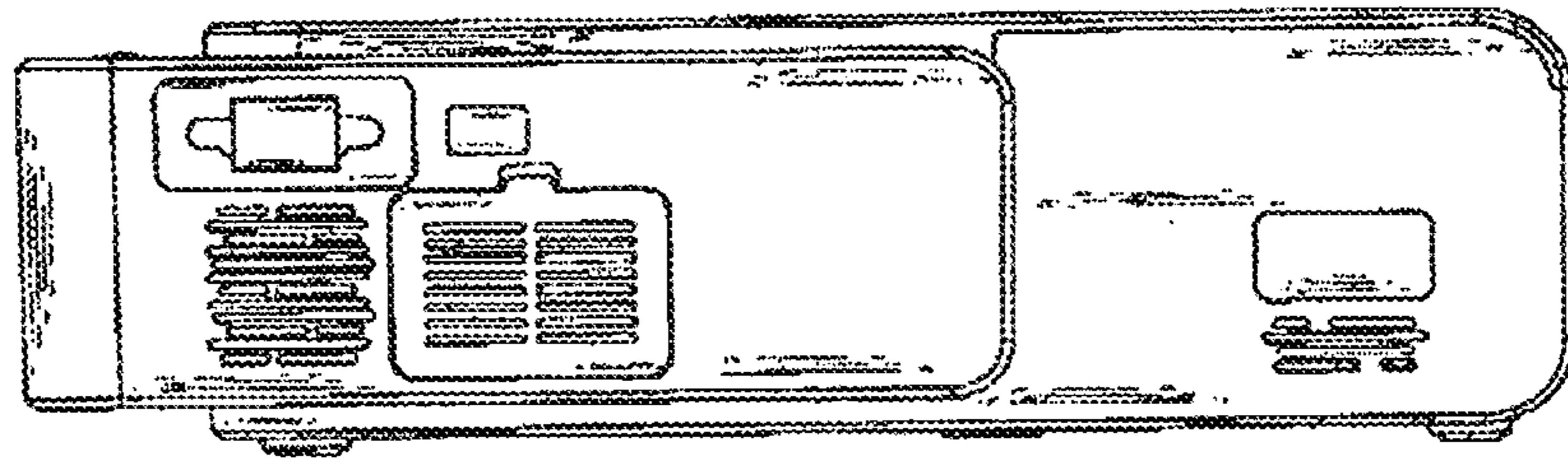


FIG.3

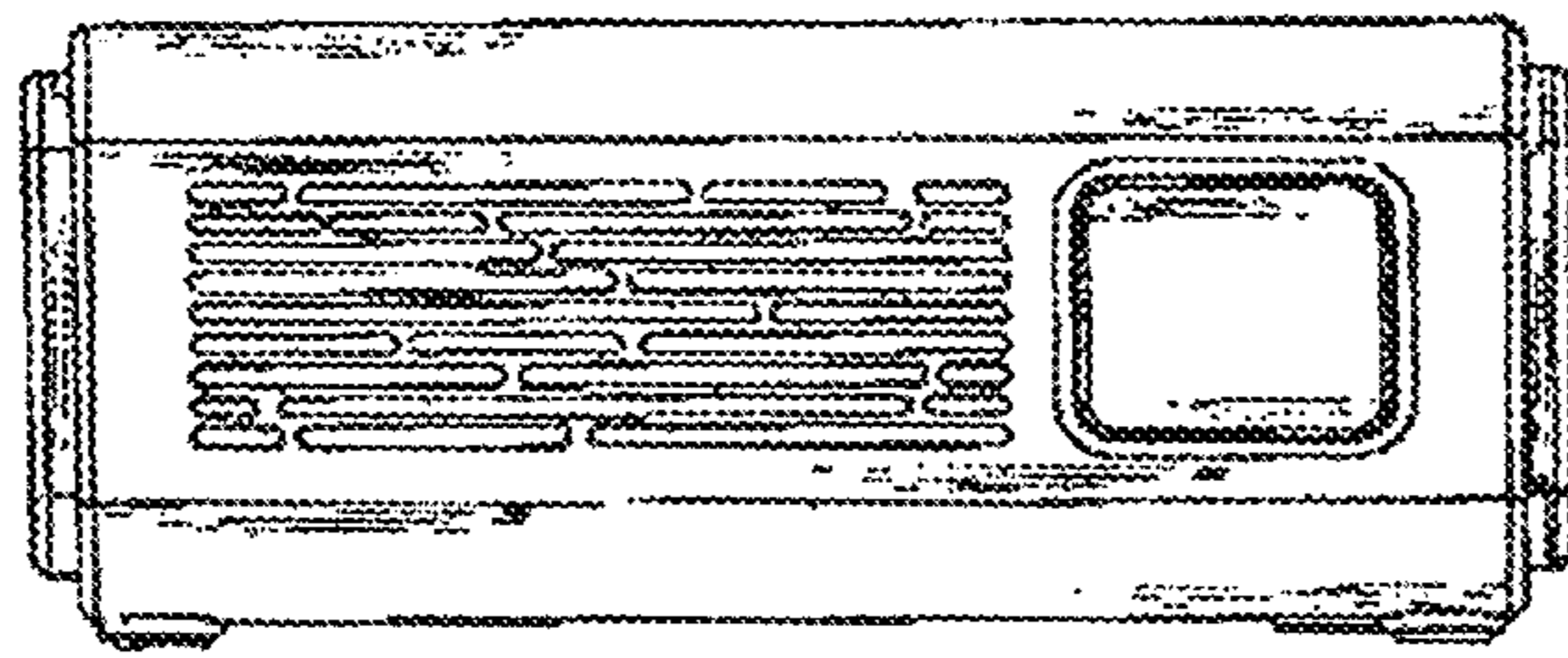


FIG.4

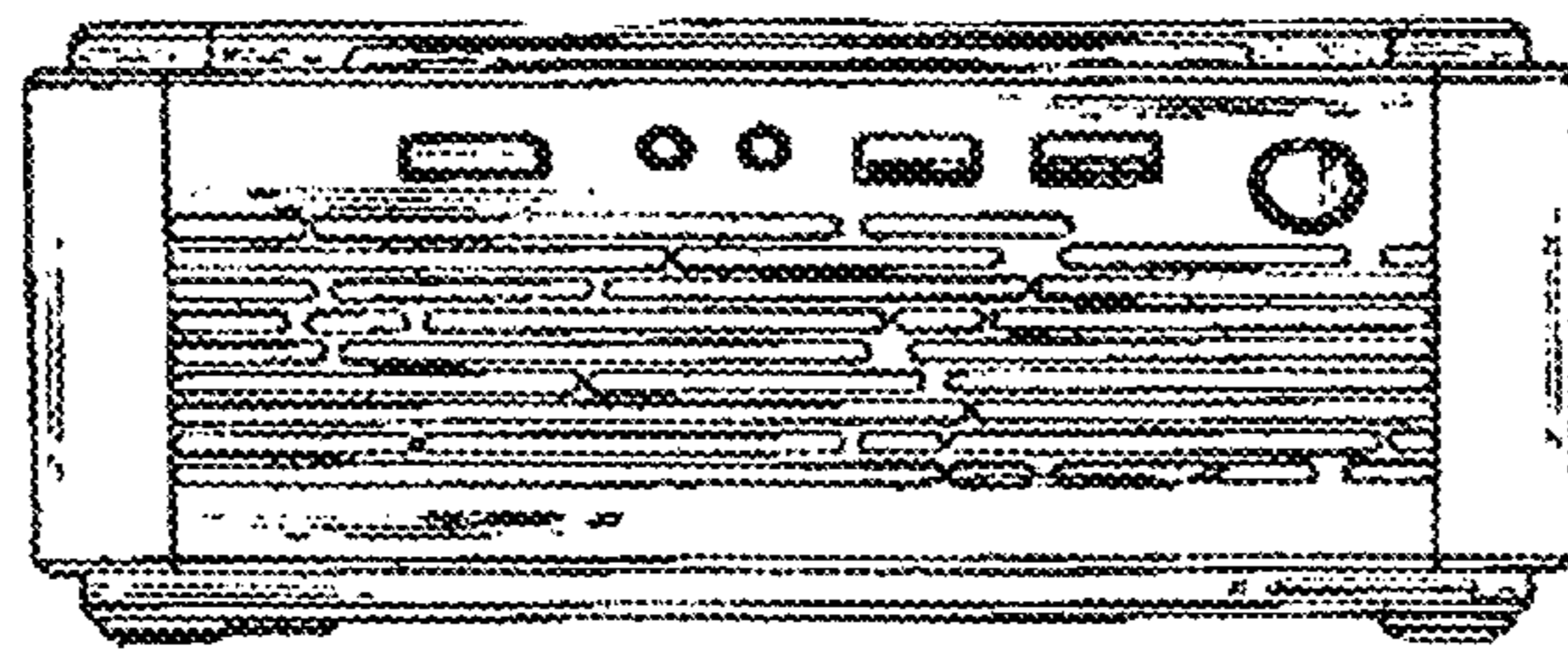


FIG.5

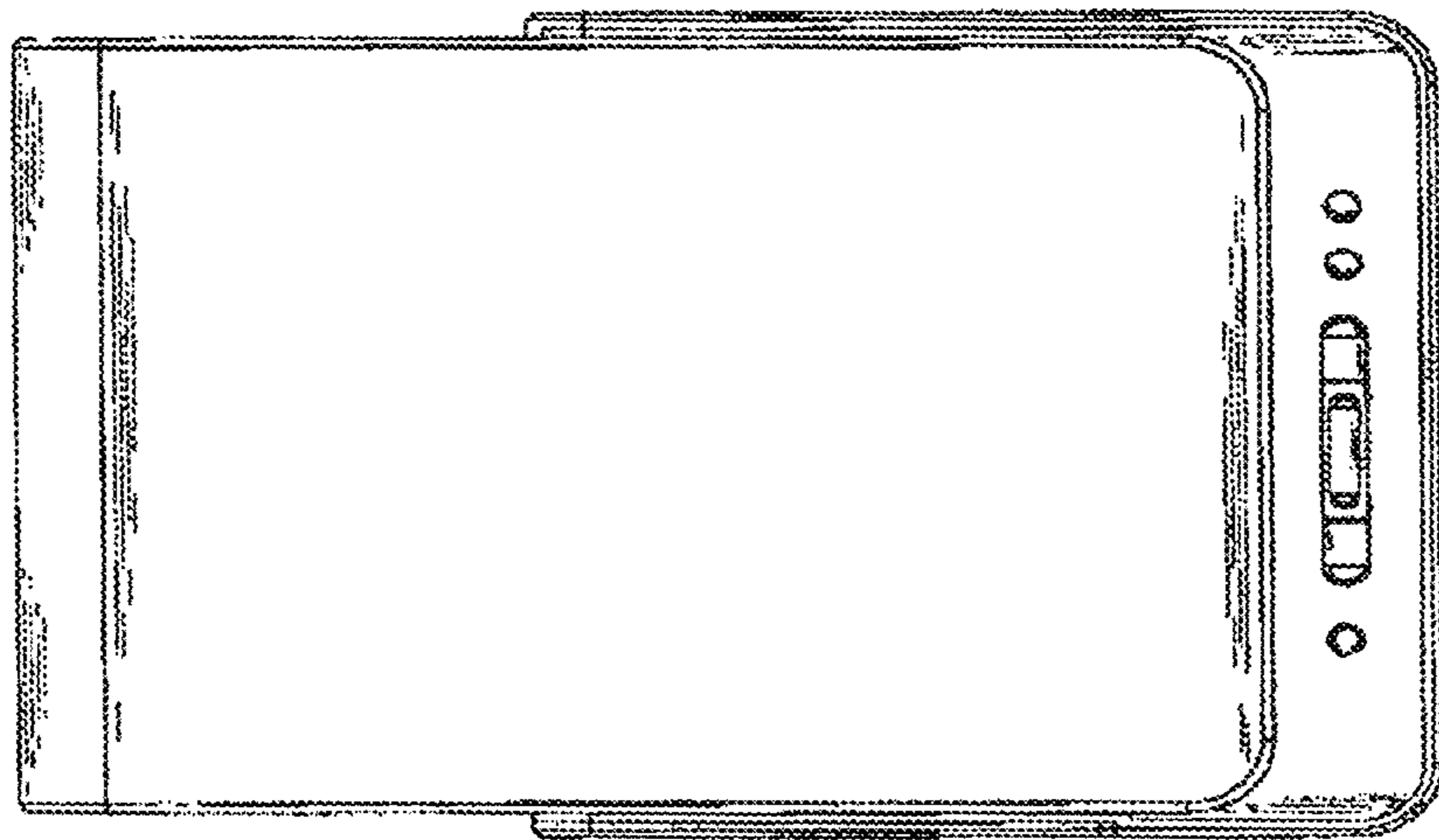


FIG.6

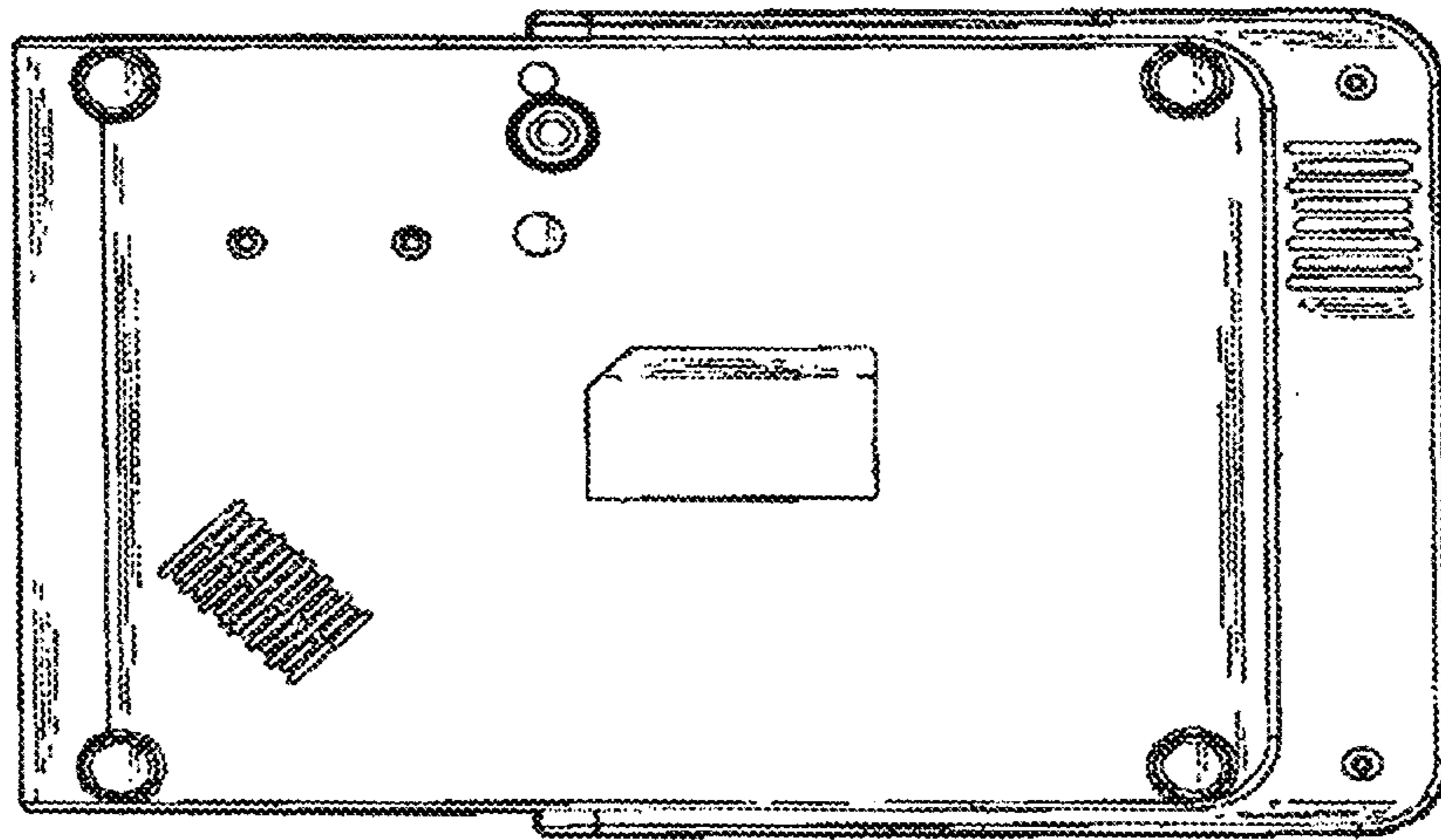


FIG.7

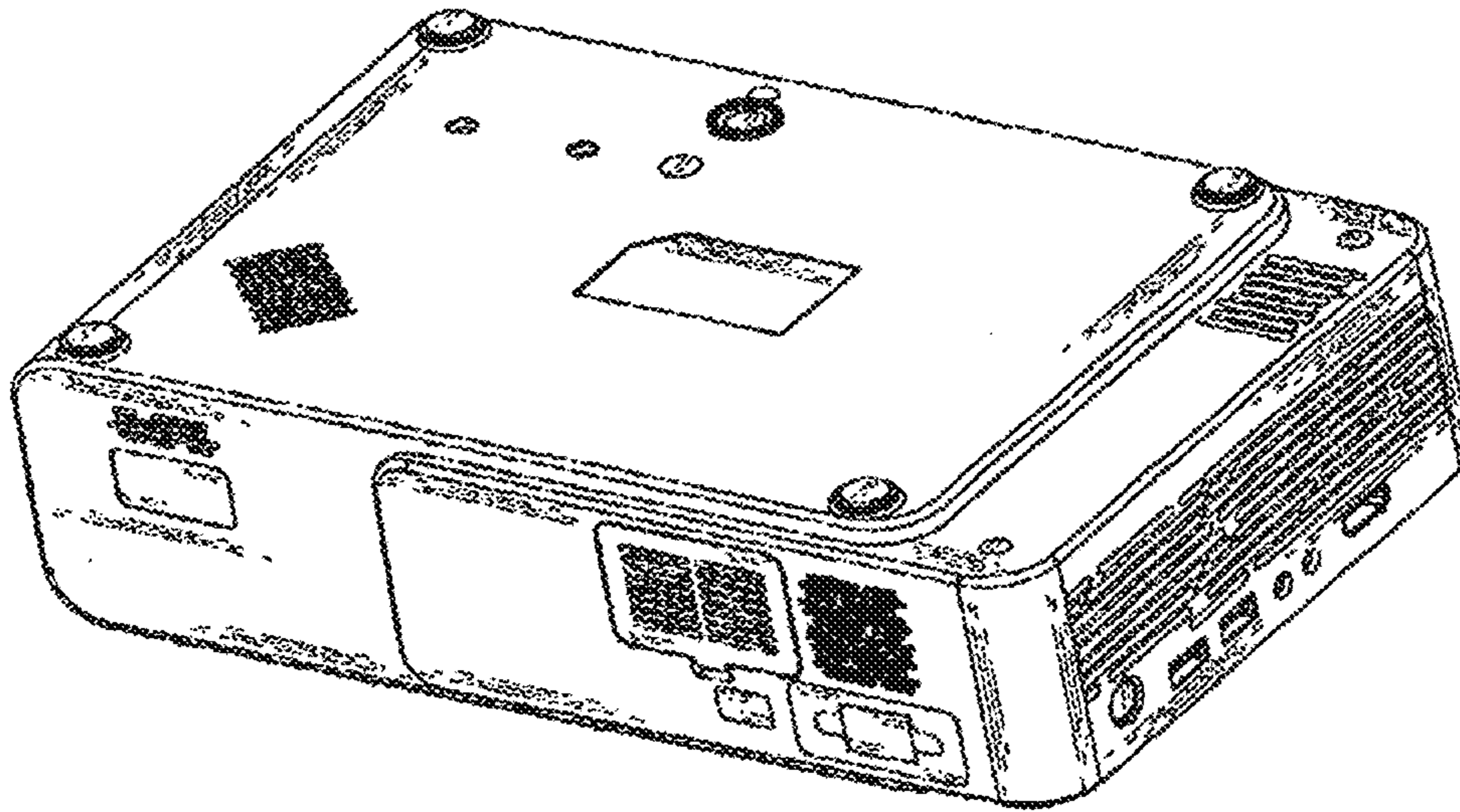


FIG.8