



US00D882668S

(12) **United States Design Patent**  
**Ikegame**

(10) **Patent No.:** **US D882,668 S**  
(45) **Date of Patent:** **\*\* Apr. 28, 2020**

(54) **LENS FOR CAMERA**  
(71) Applicant: **FUJIFILM Corporation**, Tokyo (JP)  
(72) Inventor: **Haruka Ikegame**, Saitama (JP)  
(73) Assignee: **FUJIFILM Corporation**, Tokyo (JP)  
(\*\*) Term: **15 Years**

D726,803 S \* 4/2015 Noh ..... D16/219  
D737,357 S \* 8/2015 Park ..... D16/219  
D737,358 S \* 8/2015 Park ..... D16/219  
D737,359 S \* 8/2015 Jung ..... D16/219  
D737,360 S \* 8/2015 Jung ..... D16/219  
D741,938 S \* 10/2015 Lee ..... D16/219  
D743,471 S \* 11/2015 Oh ..... D16/134

(Continued)

(21) Appl. No.: **29/654,761**  
(22) Filed: **Jun. 27, 2018**

**FOREIGN PATENT DOCUMENTS**

JP 1508895 S 9/2014

(30) **Foreign Application Priority Data**

Dec. 28, 2017 (JP) ..... 2017-029491

(51) **LOC (12) Cl.** ..... **16-05**  
(52) **U.S. Cl.**  
USPC ..... **D16/219**

**OTHER PUBLICATIONS**

Fujifilm Corporation, "Fujinon Lens XF18-135mm F3.5-5.6 R LM OIS WR," Japan Patent Office Design Division Official Gazette No. HJ26019686, retrived from URL:[http://www.fujifilm.co.jp/press/img/ffnr0880\\_01.jpg](http://www.fujifilm.co.jp/press/img/ffnr0880_01.jpg), Jul. 11, 2014, 2 pages.

(Continued)

(58) **Field of Classification Search**  
USPC ..... D16/134, 136, 200, 202, 203, 204, 205,  
D16/218, 219, 235, 242  
CPC ..... G03B 9/08; G03B 15/03; G03B 17/00;  
G03B 17/02; G03B 17/04; G03B 17/14;  
G03B 17/56; G03B 19/04; H04N 5/2251;  
H04N 5/2252; H04N 5/2253; H04N  
5/2254; H04N 7/00; H04N 2101/00;  
G02B 3/14; G02B 7/02; G02B 7/04;  
G02B 7/14

*Primary Examiner* — Sandra S Snapp

*Assistant Examiner* — Ieisha N Price

(74) *Attorney, Agent, or Firm* — Birch, Stewart, Kolasch & Birch, LLP

See application file for complete search history.

(57) **CLAIM**

The ornamental design for a lens for camera, as shown and described.

(56) **References Cited**

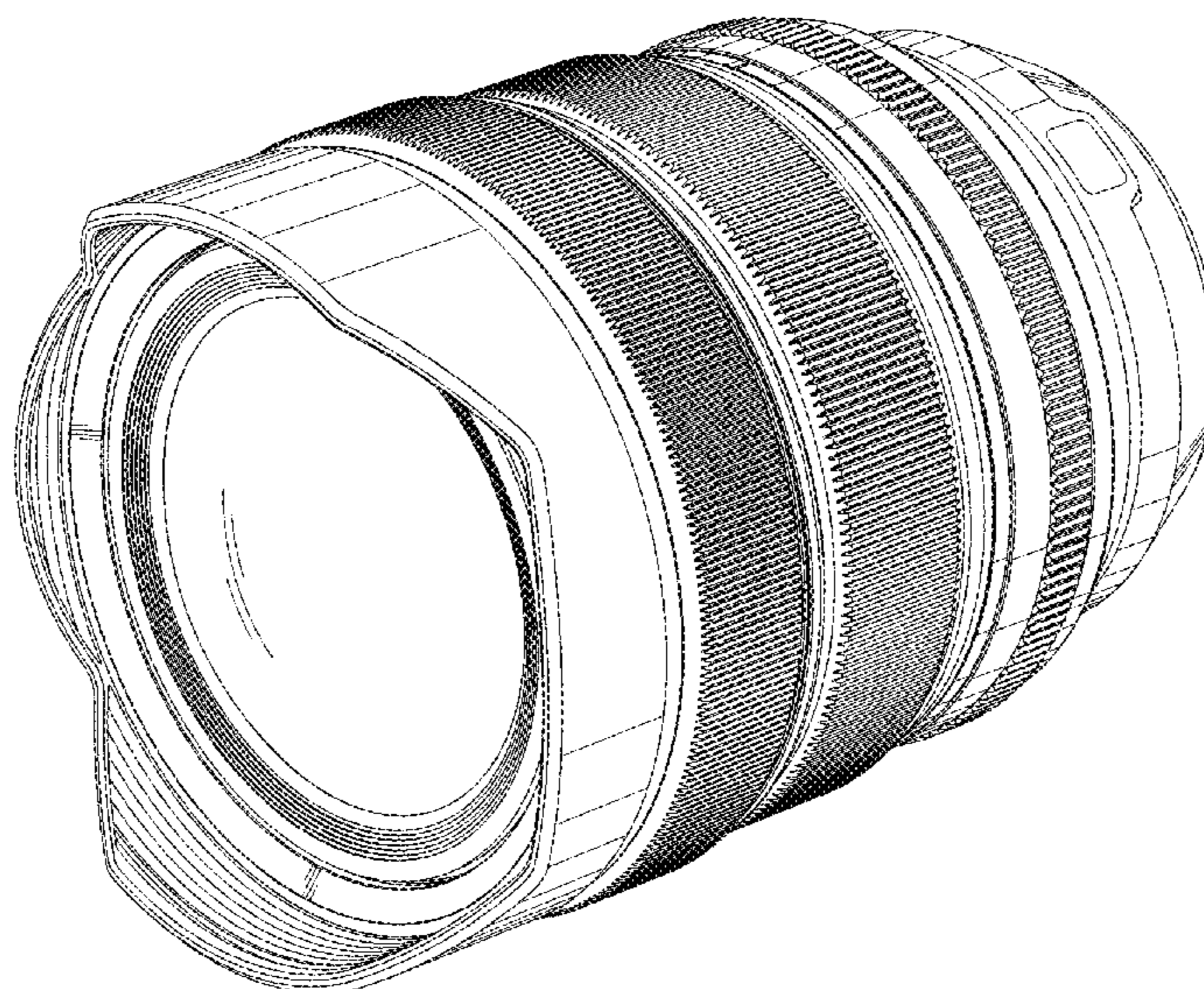
**U.S. PATENT DOCUMENTS**

D412,922 S \* 8/1999 Sekine ..... D16/134  
D416,926 S \* 11/1999 Watanabe ..... D16/134  
D417,681 S \* 12/1999 Hayashi ..... D16/134  
D446,232 S \* 8/2001 Watanabe ..... D16/134  
D682,911 S \* 5/2013 Ohashi ..... D16/219  
D702,749 S \* 4/2014 Kim ..... D16/219  
D702,750 S \* 4/2014 Yoon ..... D16/219  
D702,751 S \* 4/2014 Yoon ..... D16/219

**DESCRIPTION**

FIG. 1 is a left perspective view from upper side of a lens for camera showing my new design;  
FIG. 2 is a right perspective view from upper side thereof;  
FIG. 3 is a front view thereof;  
FIG. 4 is a rear view thereof;  
FIG. 5 is a top plan view thereof;  
FIG. 6 is a bottom plan view thereof;  
FIG. 7 is a right side view thereof; and,  
FIG. 8 is a left side view thereof.

**1 Claim, 8 Drawing Sheets**



(56)

**References Cited**

U.S. PATENT DOCUMENTS

D781,949 S \* 3/2017 Lee ..... D16/219  
D783,700 S \* 4/2017 Tagawa ..... D16/219  
D836,152 S \* 12/2018 Ikegame ..... D16/219  
D849,115 S \* 5/2019 Lee ..... D16/219  
2016/0299413 A1\* 10/2016 Fee ..... G03B 17/568  
2019/0187406 A1\* 6/2019 Hattori ..... G02B 7/02

OTHER PUBLICATIONS

Japanese Office Action for Japanese Application No. 2017-029491, dated Jul. 23, 2018, with English translation.

Kenkokotokina Corporation, "AT-X 16-28 F2.8 PRO FX," Tokina Lens Catalogue for Digital and 35mm SLR, vol. 35, Dec. 1, 2017, 2 pages.

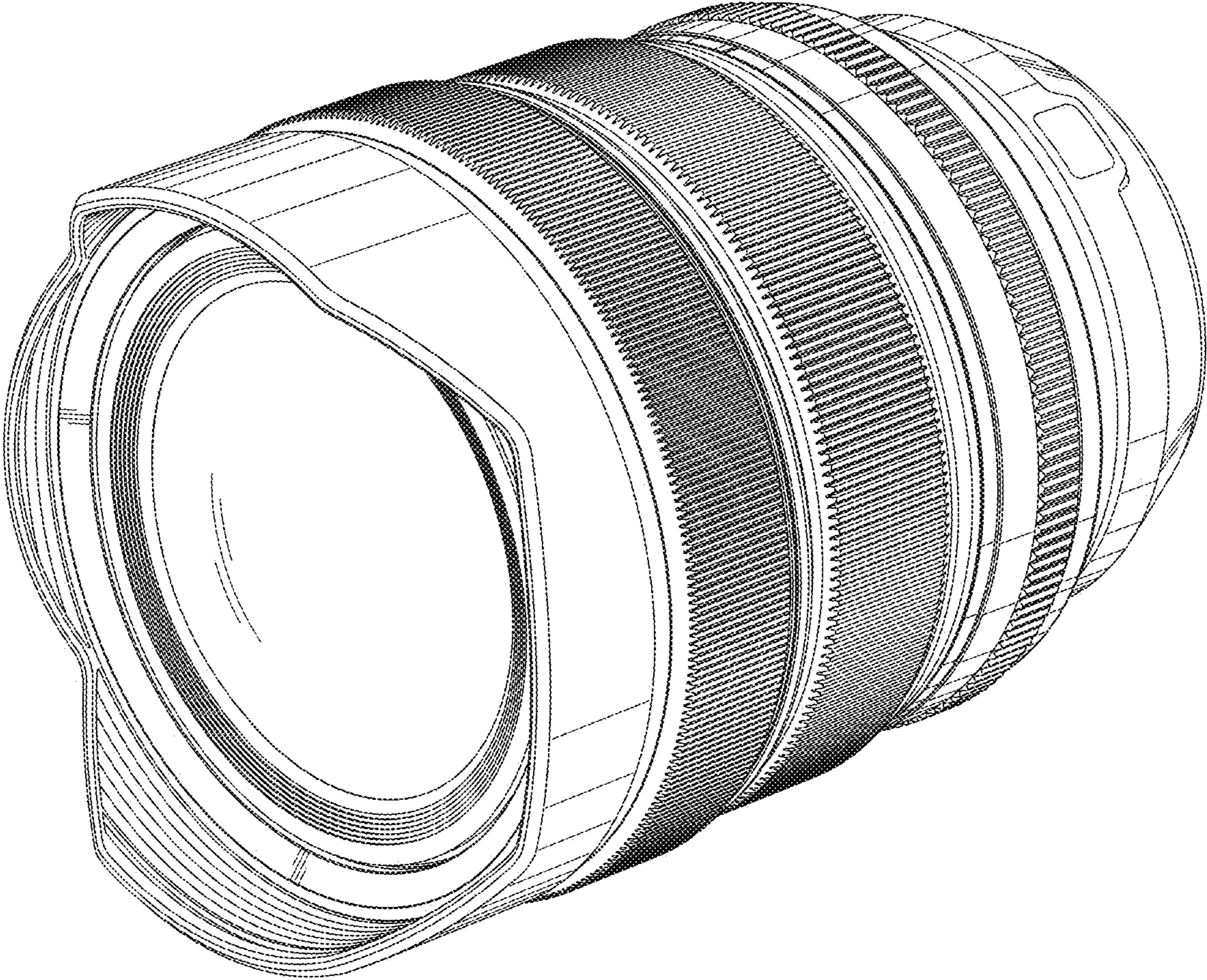
Sony, "SEL1224G Digital Single-Lens Camera  $\alpha$  (alpha) Sony," retrieved from URL:<http://www.sony.jp/ichigan/products/SEL1224G/>, Nov. 13, 2017, 16 pages.

FUJIFILM Corporation, "Certificate to be applied to the regulation of Exceptions to Lack of Novelty of Design", Fujikina 2017 Tokyo, Sep. 7, 2017, pp. 1-4.

\* cited by examiner

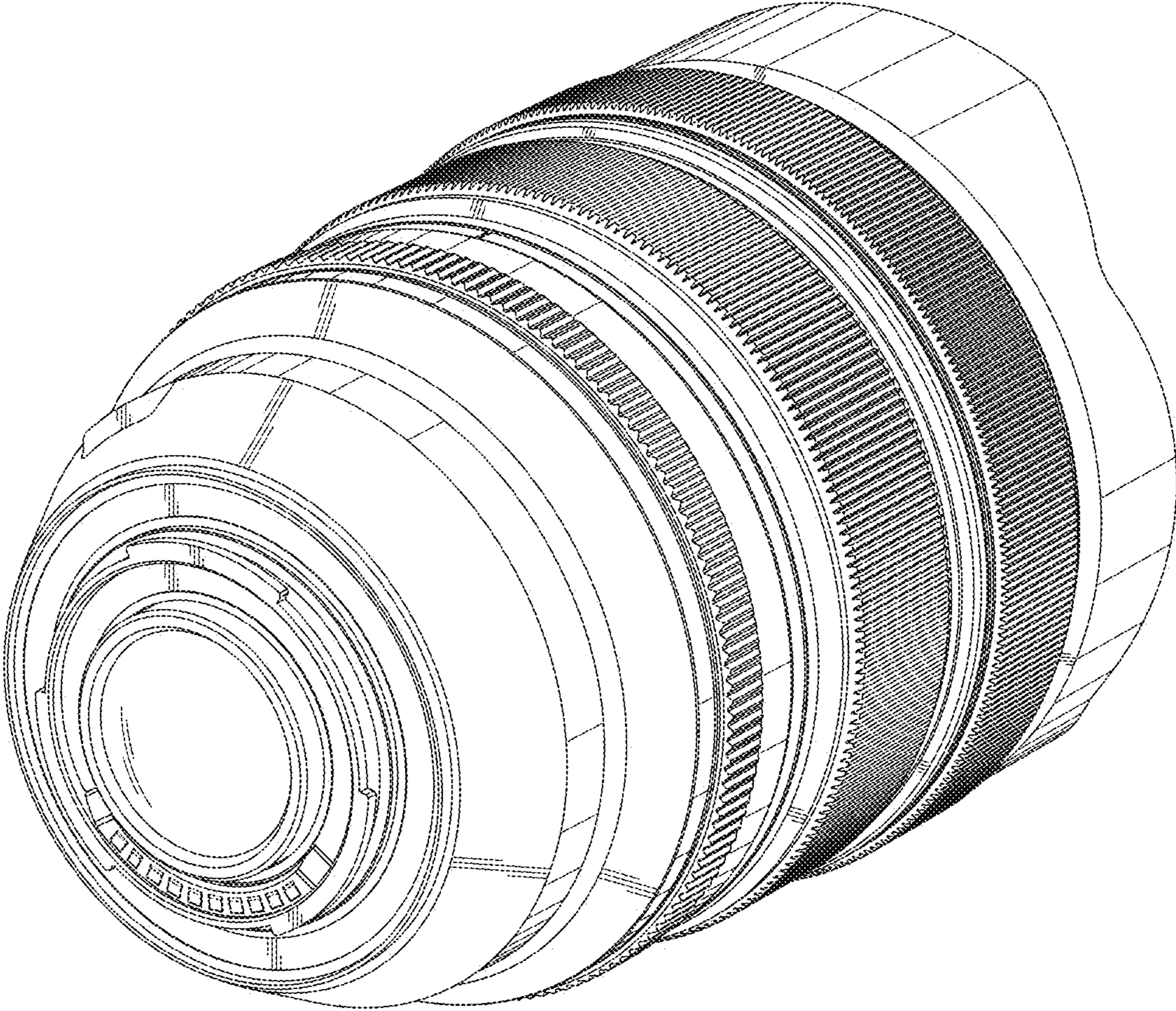


FIG. 1





**FIG. 2**





**FIG. 3**

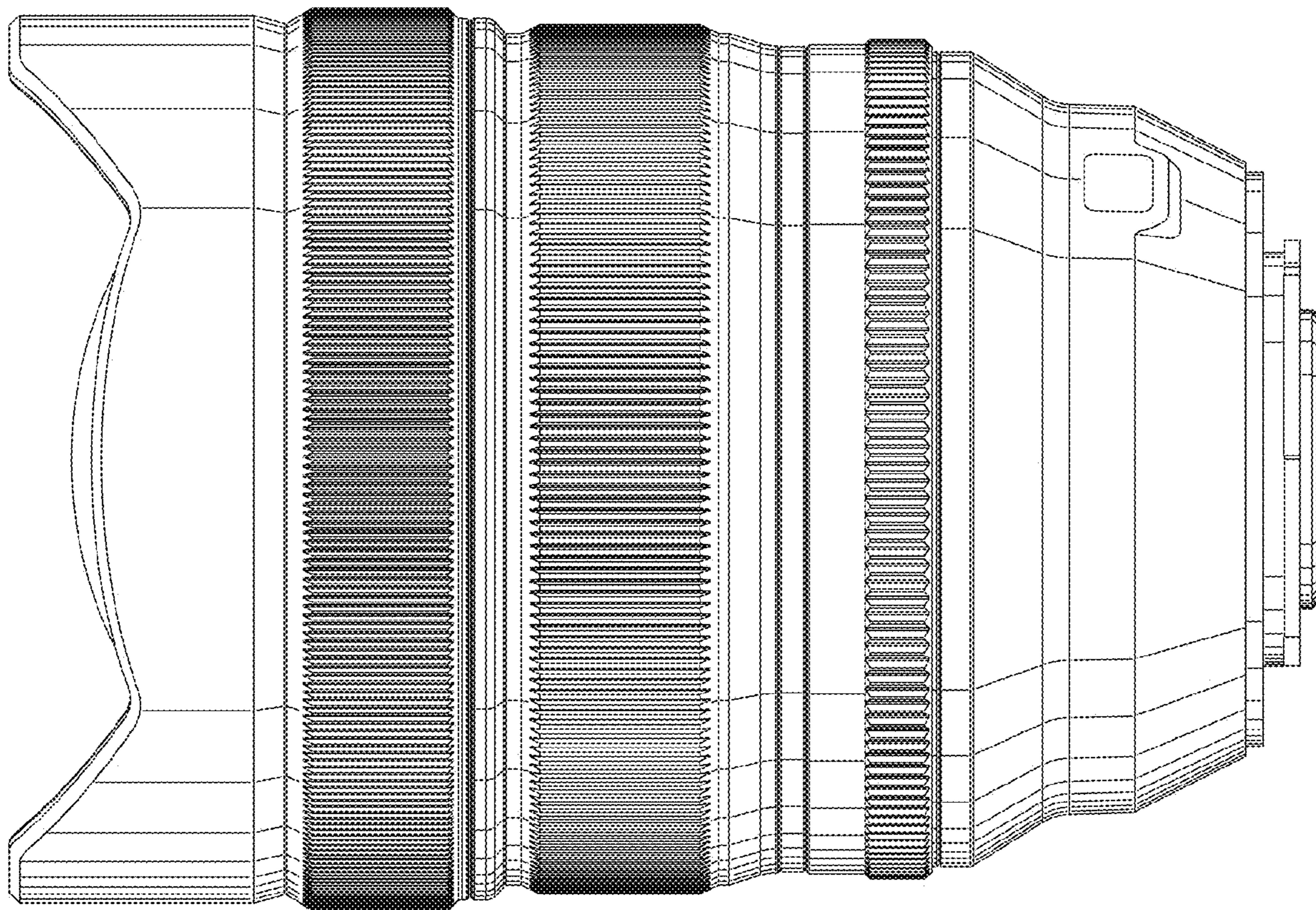


FIG. 4

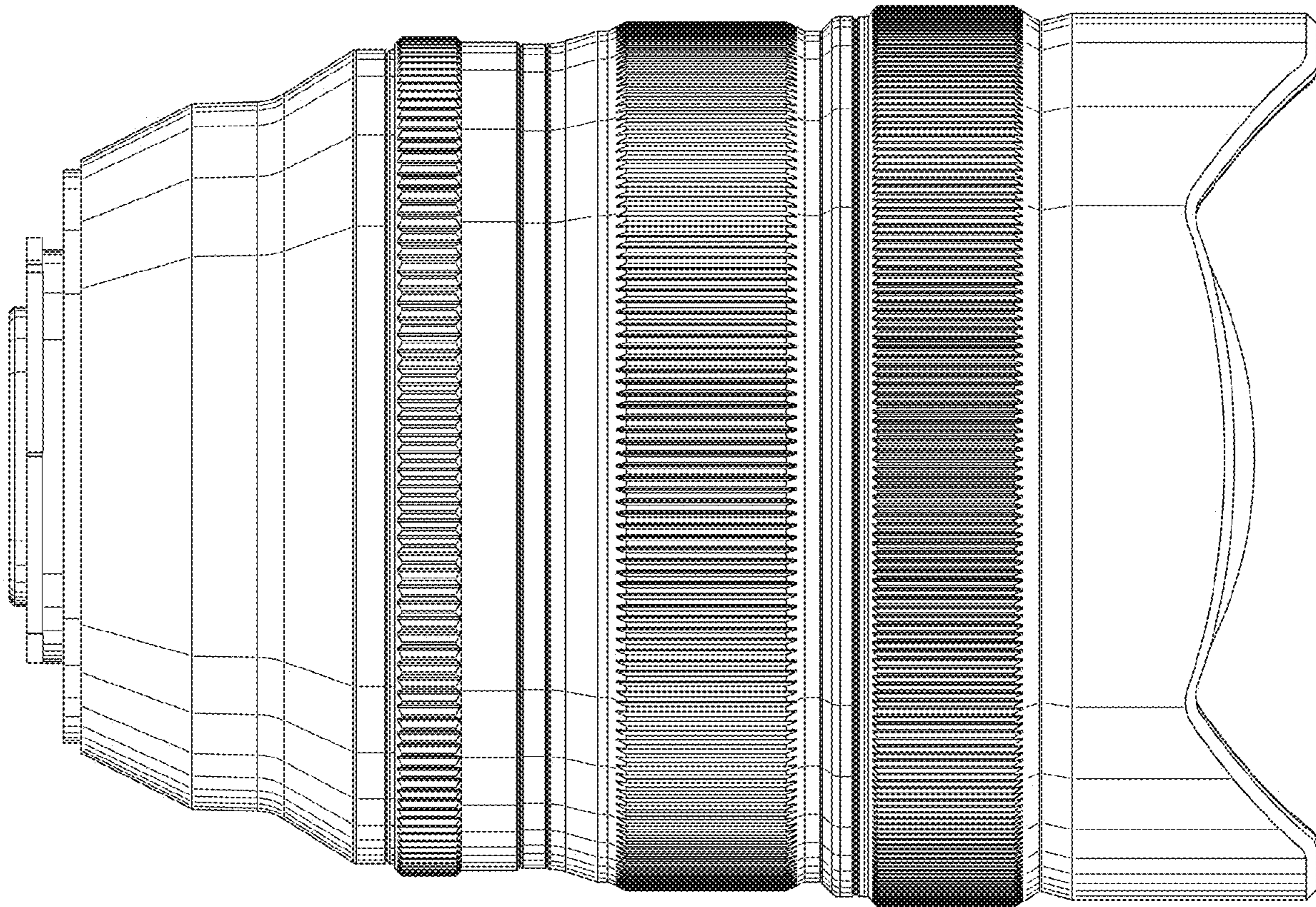




FIG. 5

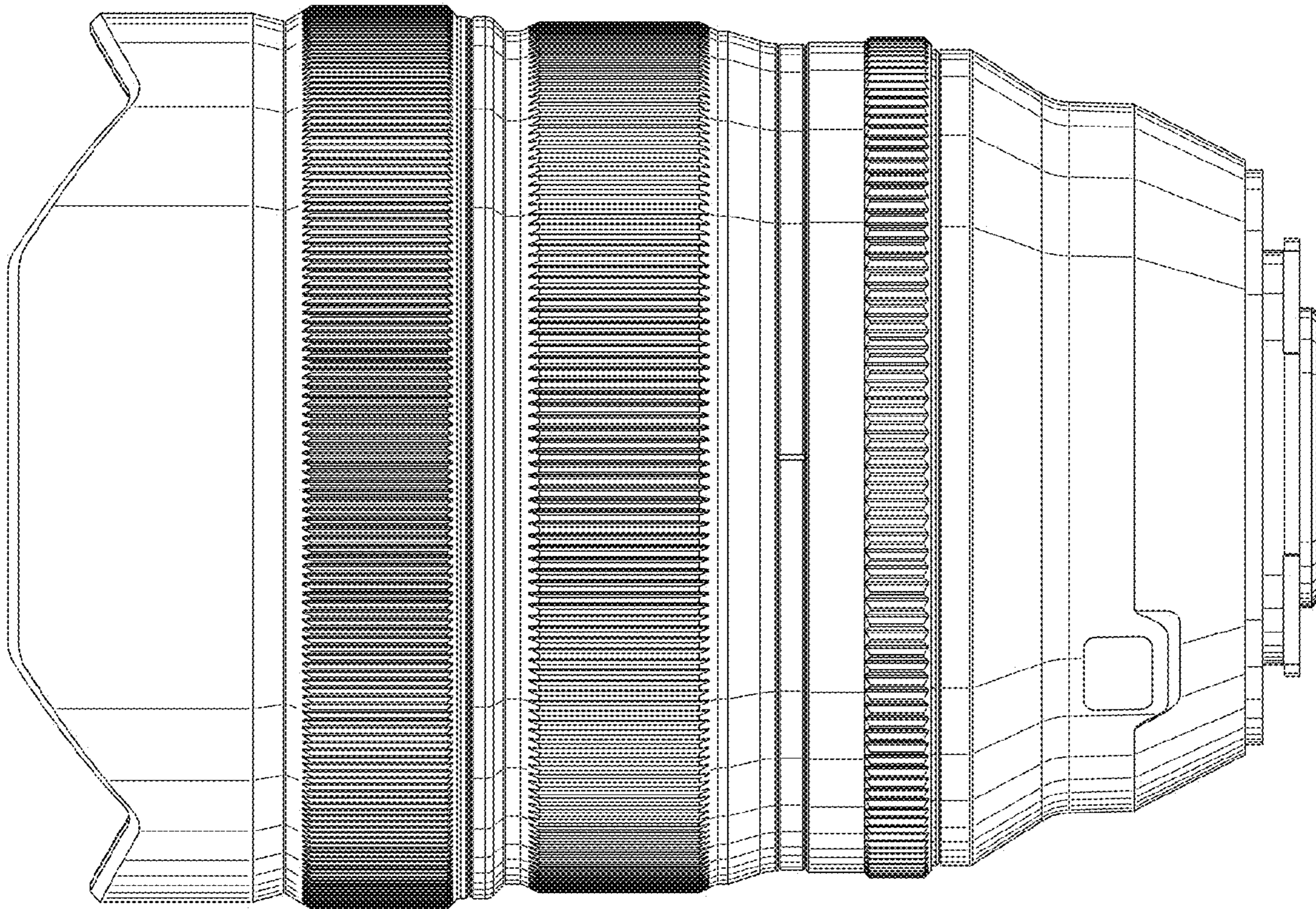
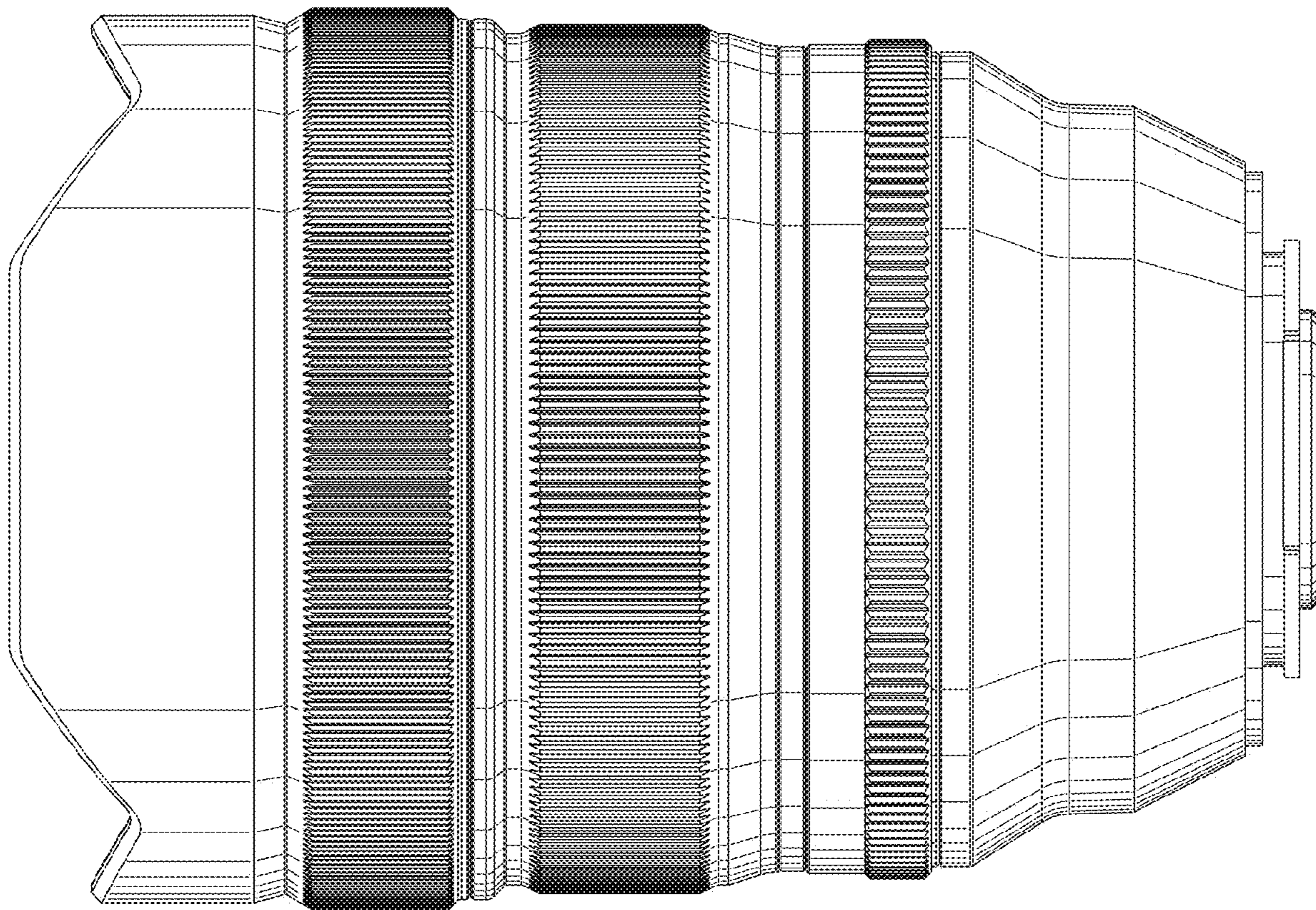
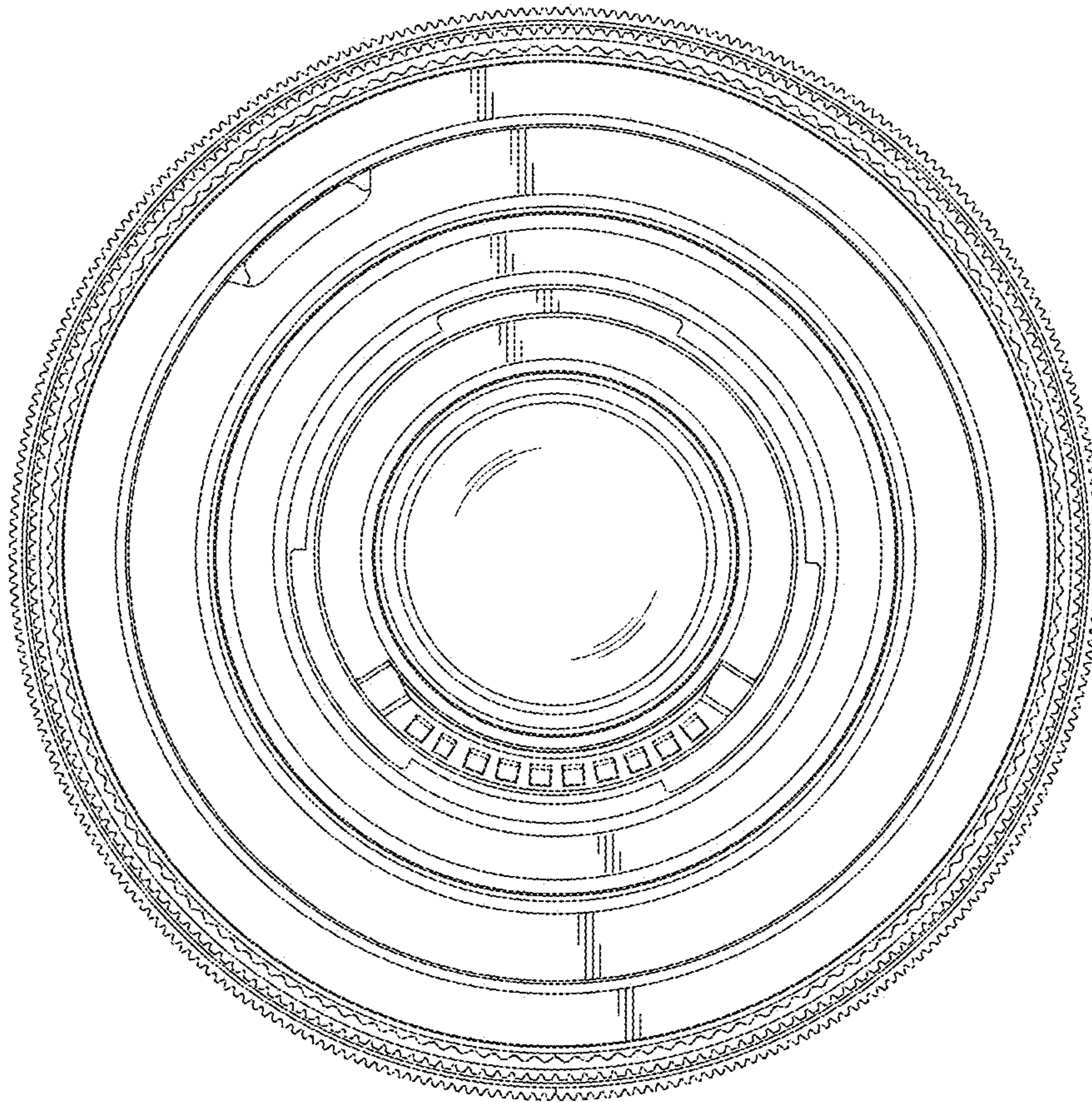


FIG. 6





**FIG. 7**



**FIG. 8**

