



US00D882667S

(12) **United States Design Patent**
Ortiz et al.

(10) **Patent No.:** **US D882,667 S**
(45) **Date of Patent:** **** Apr. 28, 2020**

(54) **SECURITY MONITORING SYSTEM**
(71) Applicant: **TP-Link Research America Corp.**,
San Jose, CA (US)
(72) Inventors: **Elliot L. Ortiz**, San Francisco, CA
(US); **Hiroto Teranishi**, San Jose,
CA (US); **Daniel K. Harden**, Palo Alto,
CA (US); **Mukund Rajukumar**, San
Jose, CA (US); **Cheng Li**, Shenzhen
(CN)

7,724,302 B2 * 5/2010 Yu H04N 1/00519
348/373
D626,580 S * 11/2010 Tzeng D16/202
D628,223 S * 11/2010 Kao D16/202
D678,929 S * 3/2013 Hancock D16/202
D719,202 S * 12/2014 Lee D16/202
D731,579 S * 6/2015 Bart D16/203
D741,931 S * 10/2015 Huang D16/202
9,535,311 B2 1/2017 Bergsten et al.
2005/0247845 A1 11/2005 Li et al.
2009/0196597 A1 8/2009 Messinger et al.
2017/0255083 A1 9/2017 Donaldson

(73) Assignee: **TP-Link Research America Corp.**,
San Jose, CA (US)

(**) Term: **15 Years**

(21) Appl. No.: **29/627,546**

(22) Filed: **Nov. 28, 2017**

(51) **LOC (12) Cl.** **16-05**

(52) **U.S. Cl.**
USPC **D16/219**; D16/242

(58) **Field of Classification Search**
USPC D16/200, 202–206, 208–209, 218, 219,
D16/242; 348/373–376; 396/535,
396/539–541
CPC G03B 15/03; G03B 17/02; G03B 17/04;
G03B 17/56; G03B 19/04; H04N 5/2251;
H04N 5/2252; H04N 5/2253; H04N
5/2254; H04N 2101/00
See application file for complete search history.

(56) **References Cited**

U.S. PATENT DOCUMENTS

D426,249 S * 6/2000 Tsujimoto D16/202
D433,432 S * 11/2000 Prather D16/202
D552,649 S * 10/2007 Logan D16/200
D554,682 S * 11/2007 Martinez D16/203
7,387,453 B2 6/2008 Arbuckle

FOREIGN PATENT DOCUMENTS

CN 202121689 U 1/2012
CN 102445810 A 5/2012
DE 202004010992 U1 11/2005
ES WO2017140915 A1 8/2017
KR WO2004001941 A1 12/2003
KR 101716474 B1 3/2017
SG WO2015187326 A1 12/2015

* cited by examiner

Primary Examiner — Ramzi S Almatrahi

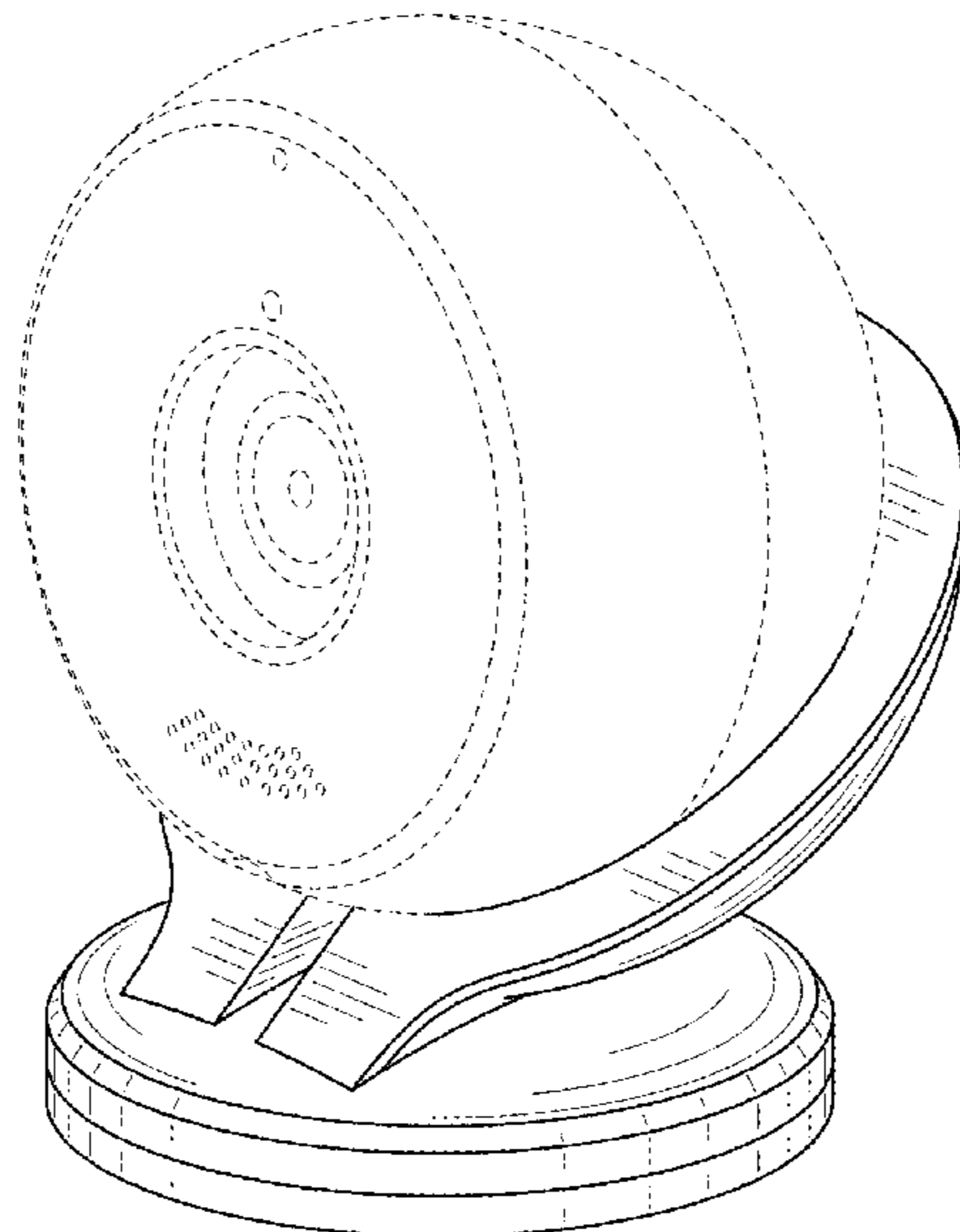
(57) **CLAIM**

The ornamental design for a security monitoring system, as shown and described.

DESCRIPTION

FIG. 1 is a front perspective view of a security monitoring system showing the new design.
FIG. 2 is a front elevation view thereof;
FIG. 3 is a rear elevation view thereof;
FIG. 4 is a right-side elevation view thereof;
FIG. 5 is a left-side elevation view thereof;
FIG. 6 is a top plan view thereof; and,
FIG. 7 is a bottom plan view thereof.
The broken lines object portions of the security monitoring system in which the design is embodied that form no part of the claimed design.

1 Claim, 4 Drawing Sheets



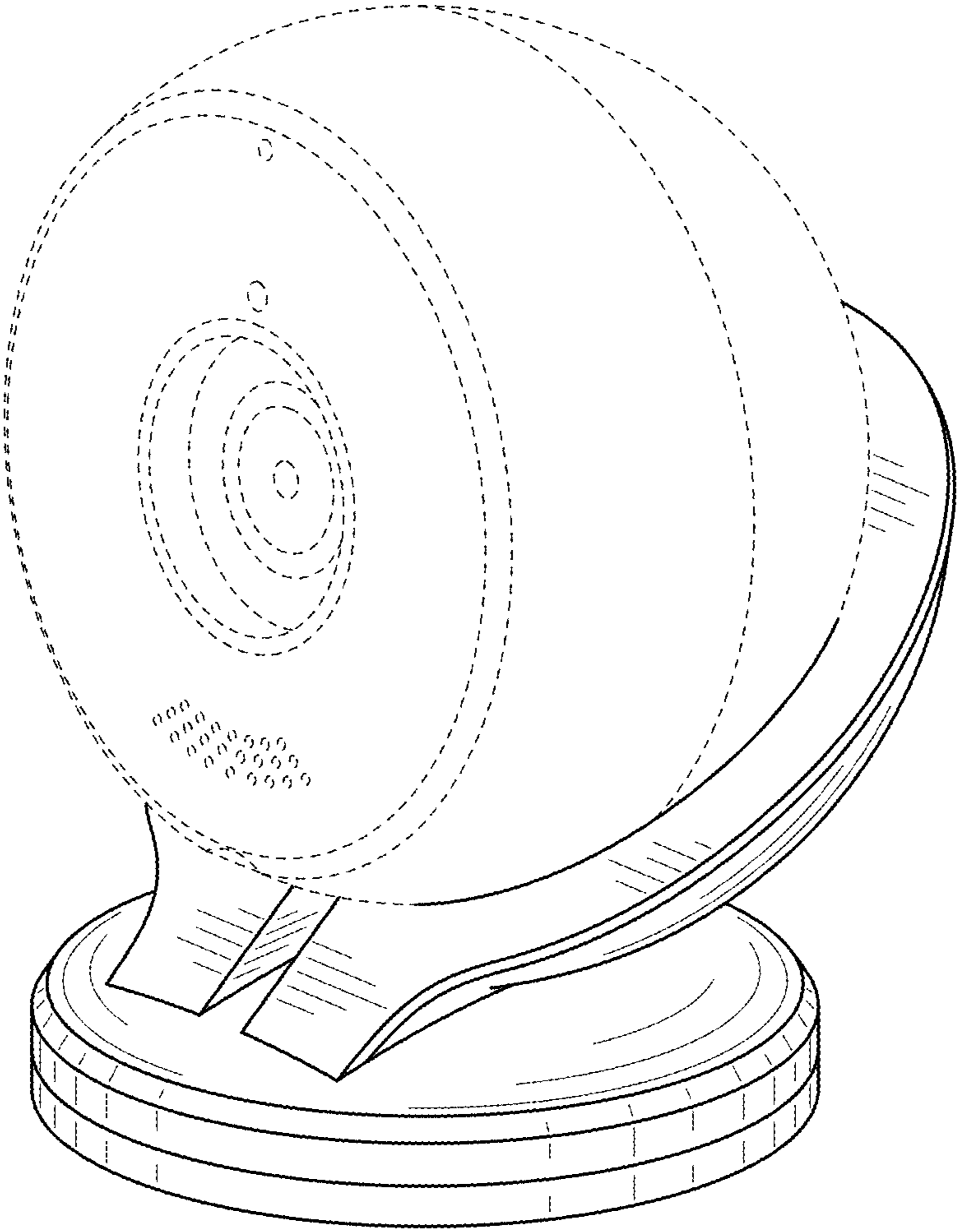


FIG. 1

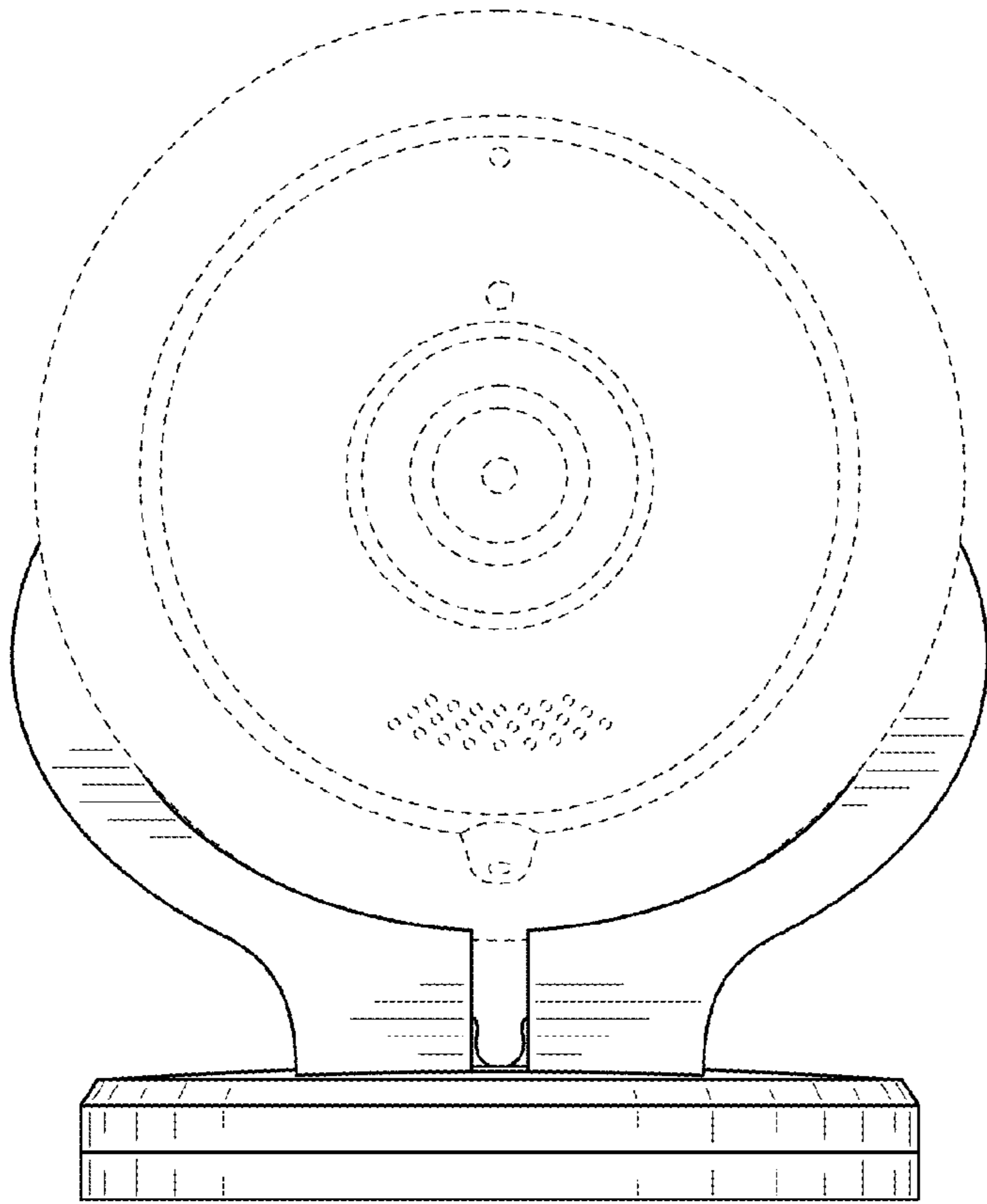


FIG. 2

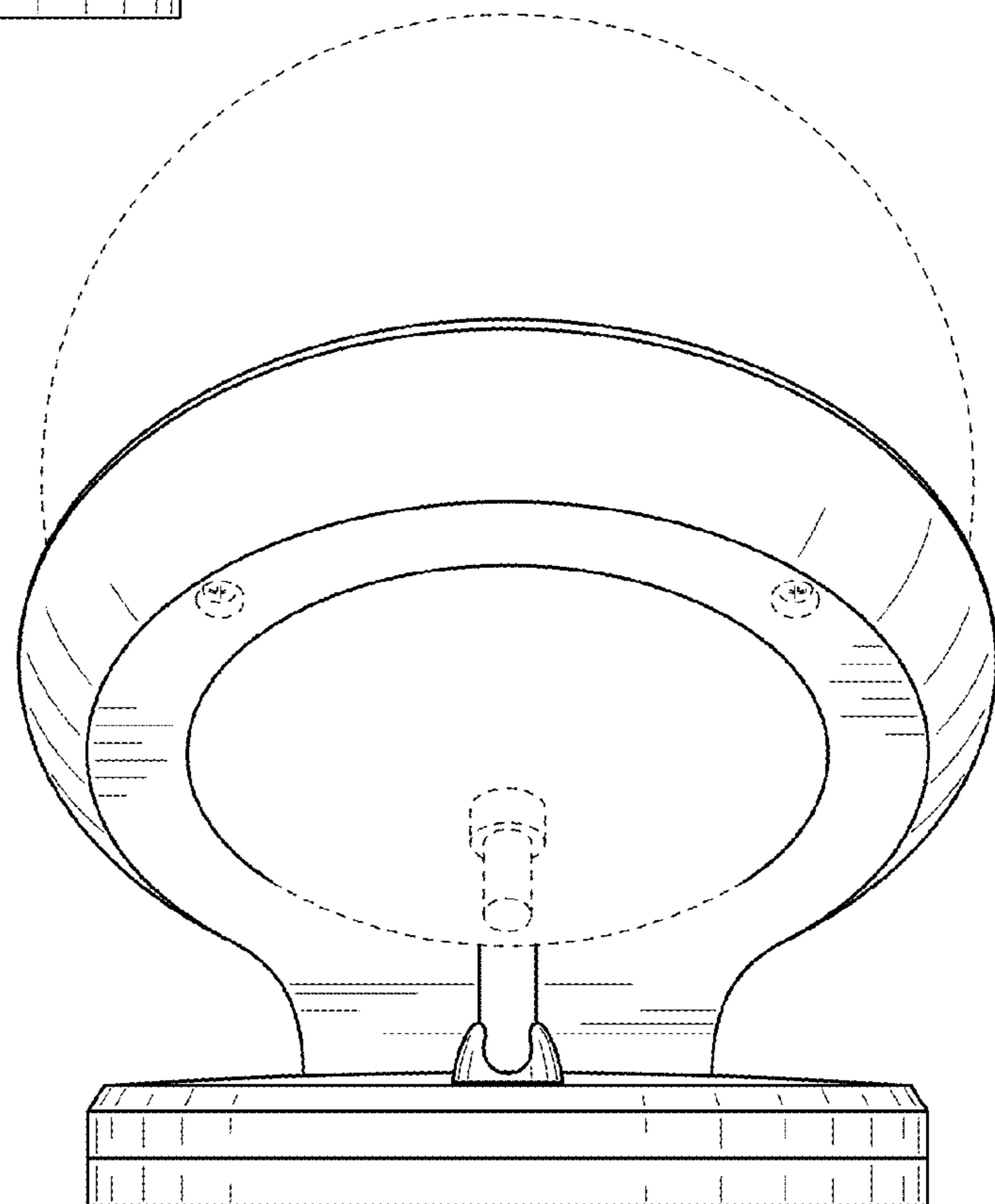


FIG. 3

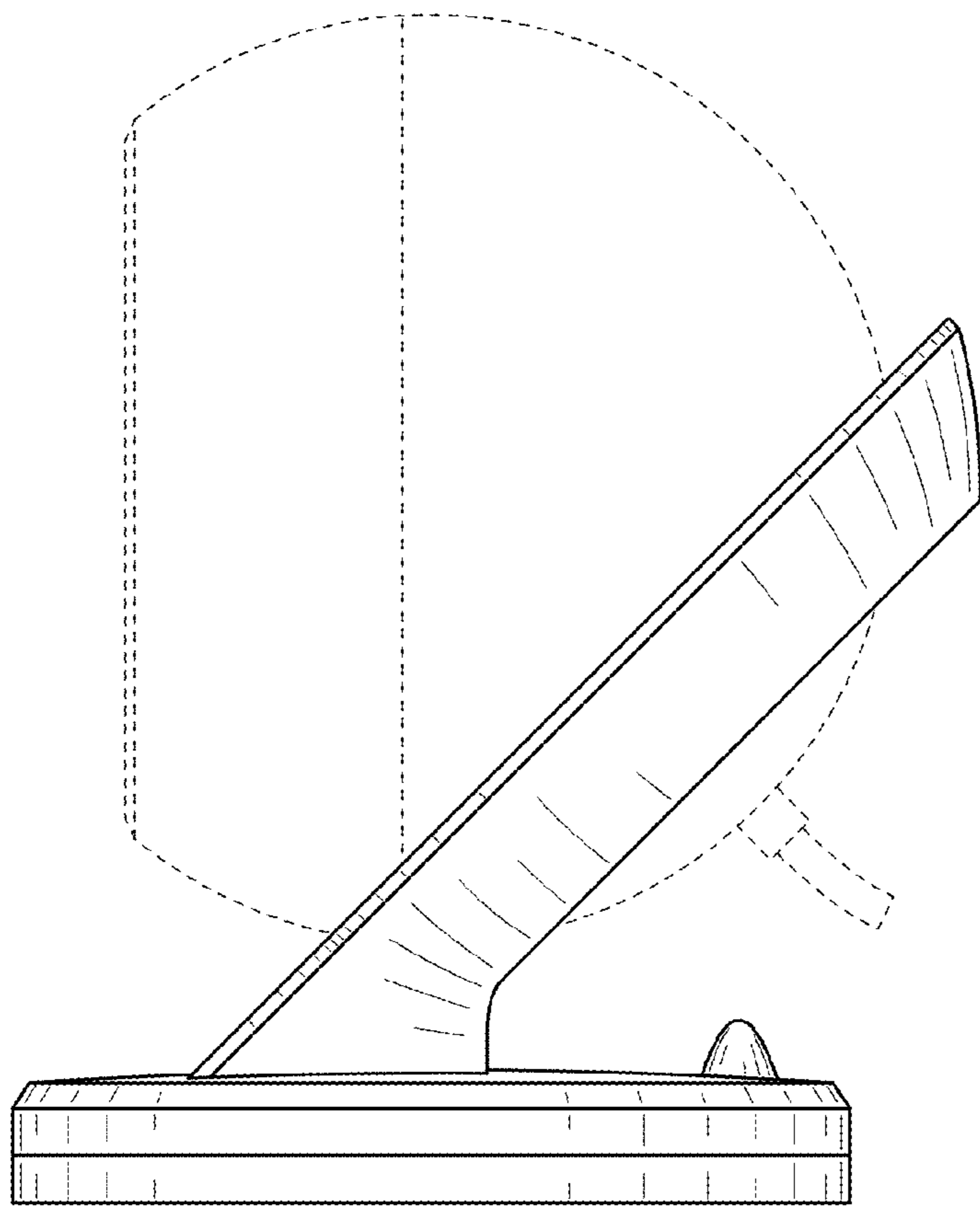


FIG. 4

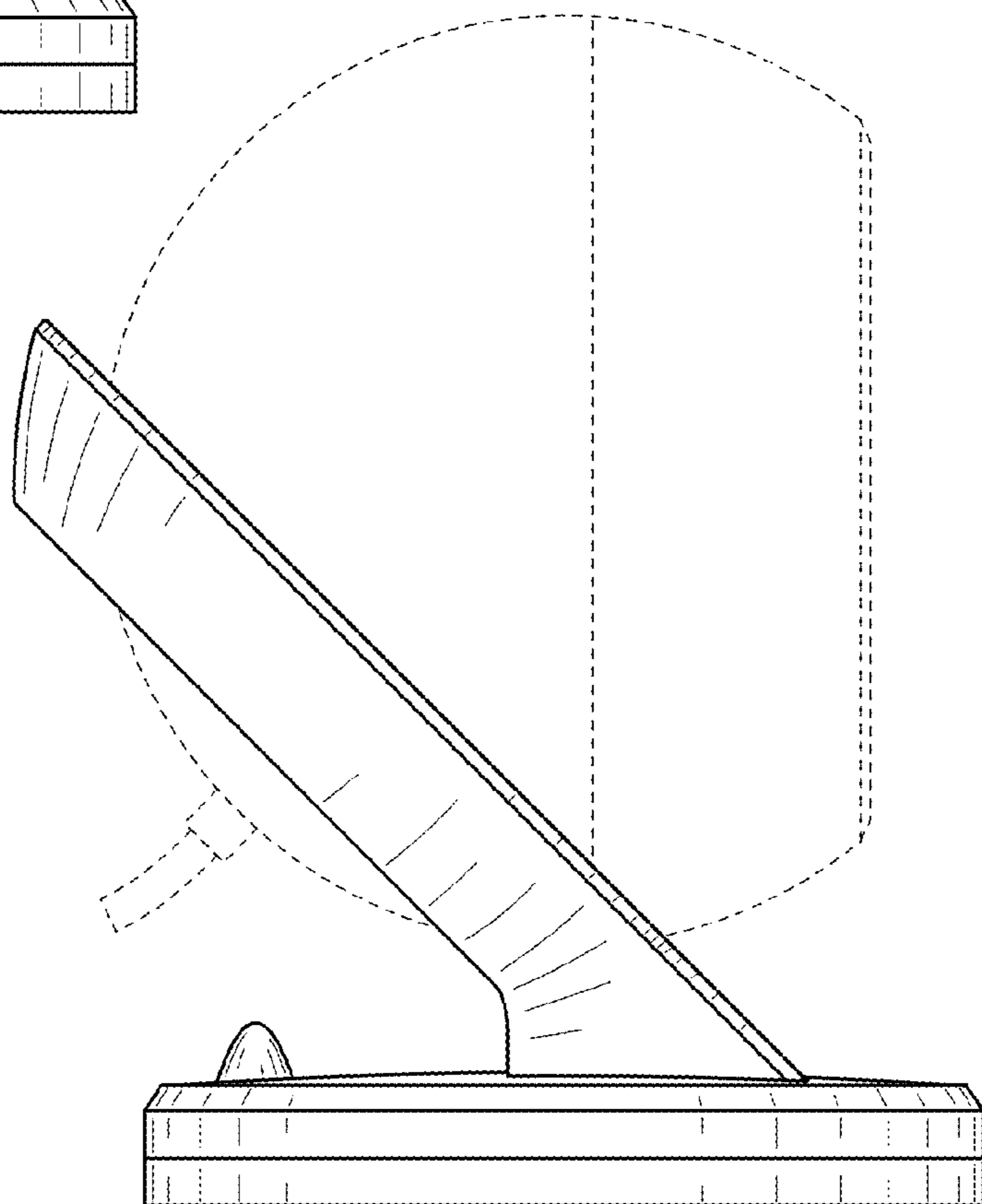


FIG. 5

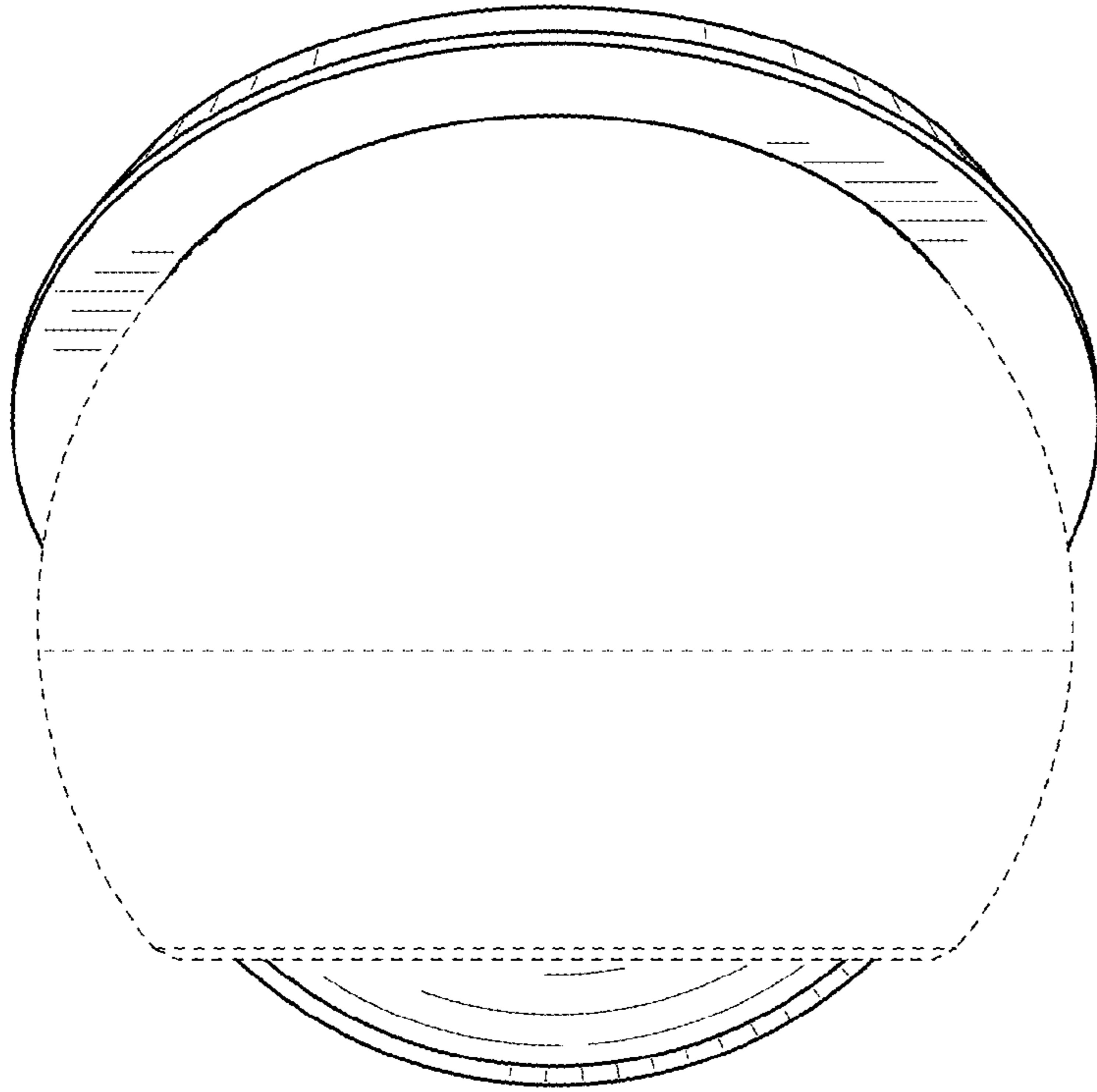


FIG. 6

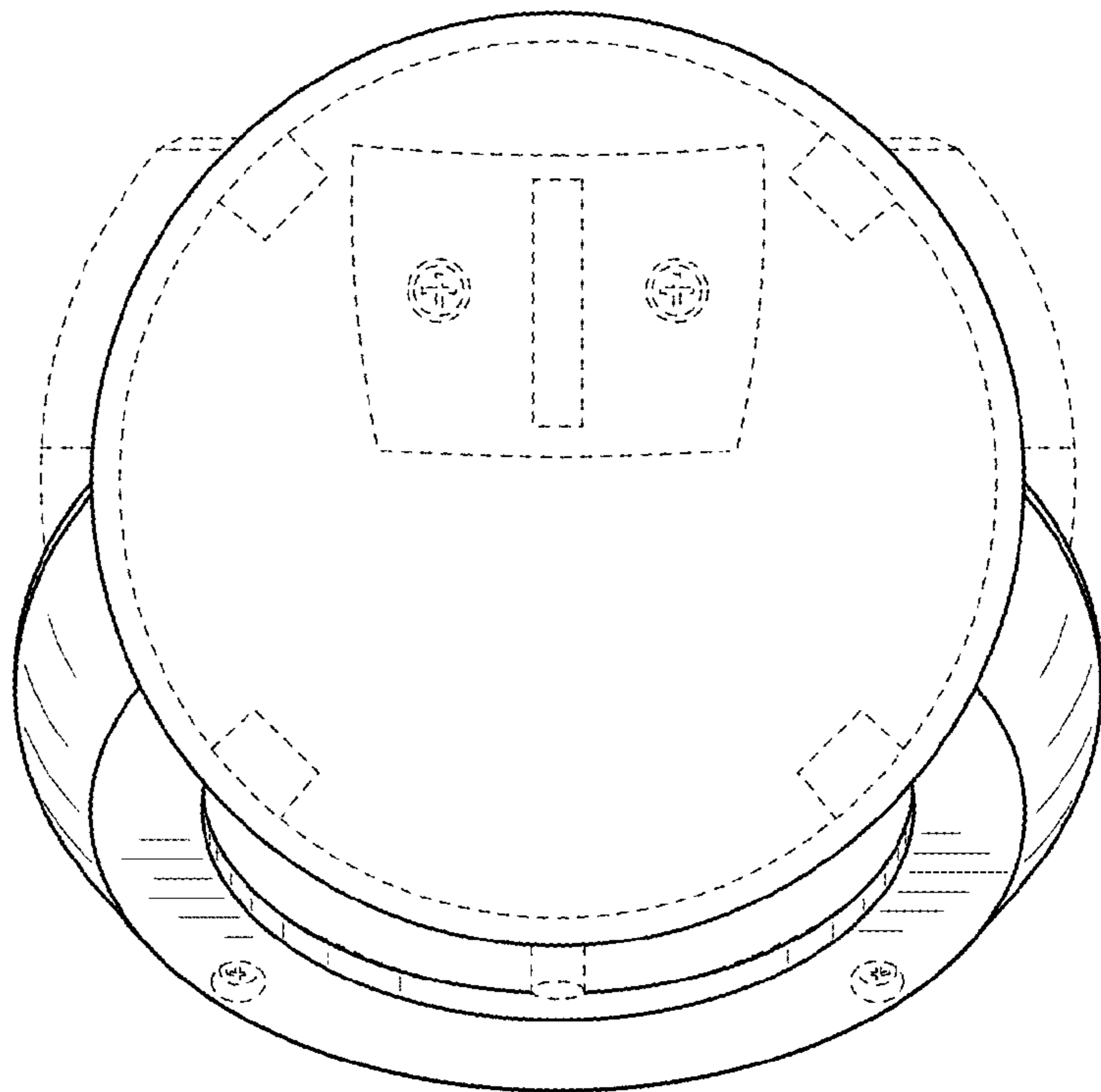


FIG. 7