



US00D882665S

(12) **United States Design Patent**  
**Jorgensen et al.**

(10) **Patent No.:** **US D882,665 S**  
(45) **Date of Patent:** **\*\* Apr. 28, 2020**

(54) **PHOTO BOOTH**  
(71) Applicant: **StyleShoots BV**, Haarlem (NL)  
(72) Inventors: **Anders Patrick Jorgensen**,  
Copenhagen (DK); **Gerwin De Haan**,  
Rotterdam (NL); **Simon James**  
**Hemmingway Wilkinson**, Leiden (NL)  
(73) Assignee: **StyleShoots BV**, Haarlem (NL)  
(\*\*) Term: **15 Years**  
(21) Appl. No.: **29/596,222**

3,690,242 A \* 9/1972 Cruickshank ..... G03B 15/00  
396/5  
4,302,097 A \* 11/1981 Chlestil ..... B23Q 33/00  
318/568.1  
D324,873 S \* 3/1992 Thayer ..... D16/215  
D397,130 S \* 8/1998 Tudico ..... D16/215  
6,834,960 B2 \* 12/2004 Dbjay ..... G03B 15/00  
352/243  
7,039,220 B2 \* 5/2006 Kriesel ..... G01B 11/25  
382/110  
D721,757 S \* 1/2015 Shepard ..... D16/214  
9,323,133 B1 \* 4/2016 Matriano ..... G03B 17/53  
9,408,540 B2 \* 8/2016 Mueller ..... A61B 90/30  
9,470,959 B2 \* 10/2016 Matriano ..... G03B 17/53  
(Continued)

(22) Filed: **Mar. 7, 2017**  
(30) **Foreign Application Priority Data**  
Feb. 13, 2017 (EM) ..... 003752153  
(51) **LOC (12) Cl.** ..... **16-01**  
(52) **U.S. Cl.**  
USPC ..... **D16/215**  
(58) **Field of Classification Search**  
USPC ..... D16/200–220, 131, 237, 242, 239, 250,  
D16/235, 130, 134, 136, 245; D26/118,  
D26/138–140; D30/110, 119, 124;  
D14/242, 203.1, 203.3, 203.7; D10/74,  
D10/50, 64, 66  
CPC ..... H04M 2250/52; H04N 5/2251; H04N  
5/2252; H04N 5/2253; H01H 2231/046;  
G02B 13/00; G02B 13/19621; G03B  
11/048; G03B 11/04; G03B 11/041;  
G03B 11/043; G03B 11/045  
See application file for complete search history.

(56) **References Cited**  
**U.S. PATENT DOCUMENTS**  
2,140,602 A \* 12/1938 Simjian ..... G03B 19/023  
33/17 R  
D115,631 S \* 7/1939 Rice ..... D16/215

**OTHER PUBLICATIONS**

StyleShoots, published Mar. 11, 2017 [online], [retrieved Sep. 29, 2018], Available from Internet, URL:<<https://web.archive.org/web/20170311103102/https://styleshoots.com/live>>.\*

*Primary Examiner* — T Chase Nelson  
*Assistant Examiner* — Mary Claire Ramirez

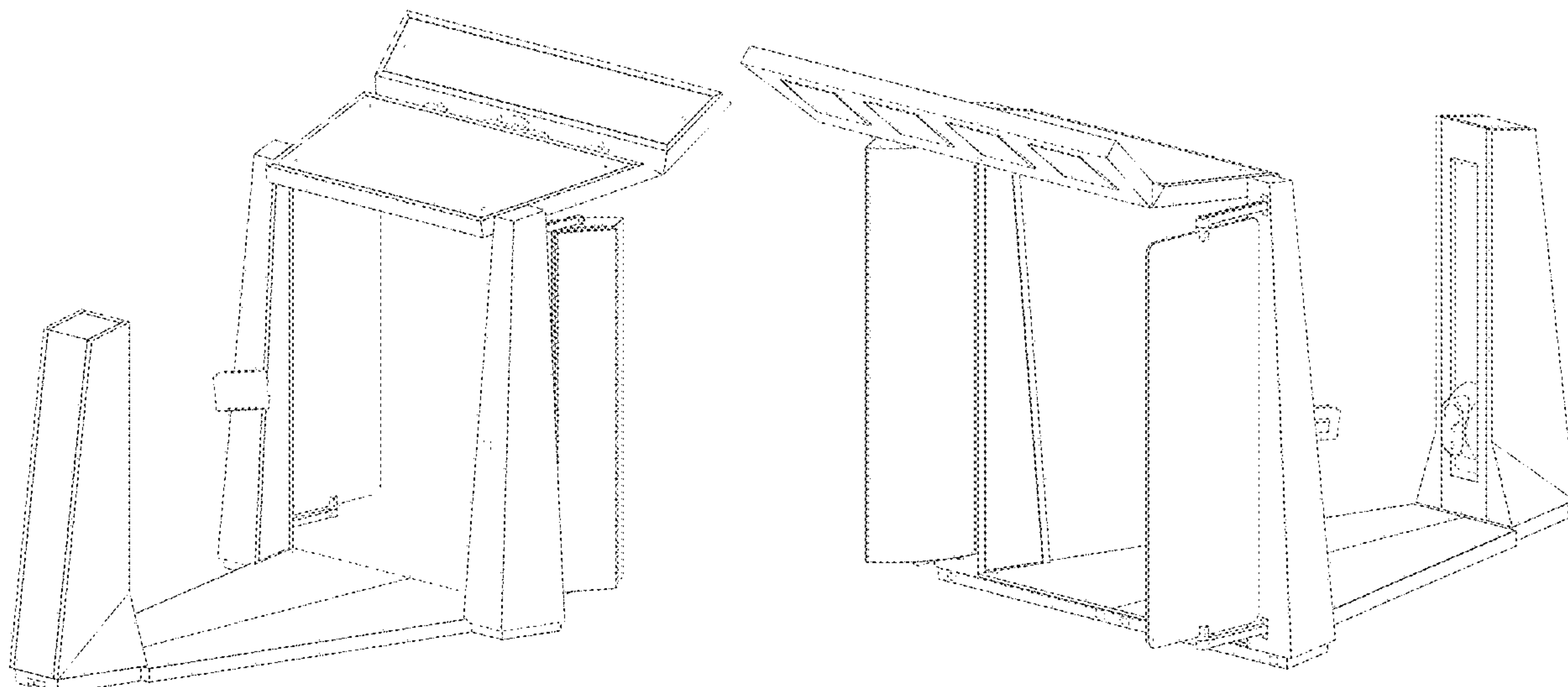
(57) **CLAIM**

The ornamental design for a photo booth, as shown and described.

**DESCRIPTION**

FIG. 1 is a front perspective view of a photo booth showing our new design;  
FIG. 2 is a rear perspective view thereof;  
FIG. 3 is a left-side view thereof;  
FIG. 4 is a front view thereof;  
FIG. 5 is a right-side view thereof;  
FIG. 6 is a rear view thereof;  
FIG. 7 is a top view thereof; and,  
FIG. 8 a bottom view thereof.  
The broken lines shown in the drawings depict portions of the photo booth that form no part of the claimed design.

**1 Claim, 8 Drawing Sheets**



(56)

**References Cited**

U.S. PATENT DOCUMENTS

D807,943	S *	1/2018	Inagaki .....	D16/215
10,171,734	B2 *	1/2019	Mueller .....	A61B 5/6889
2010/0232773	A1 *	9/2010	Depaula .....	G03B 15/00 396/5
2013/0188063	A1 *	7/2013	Cameron .....	H04N 5/272 348/207.1
2014/0232838	A1 *	8/2014	Jorgensen .....	H04N 5/23203 348/61
2016/0004140	A1 *	1/2016	Tada .....	G03B 15/07 396/2

\* cited by examiner

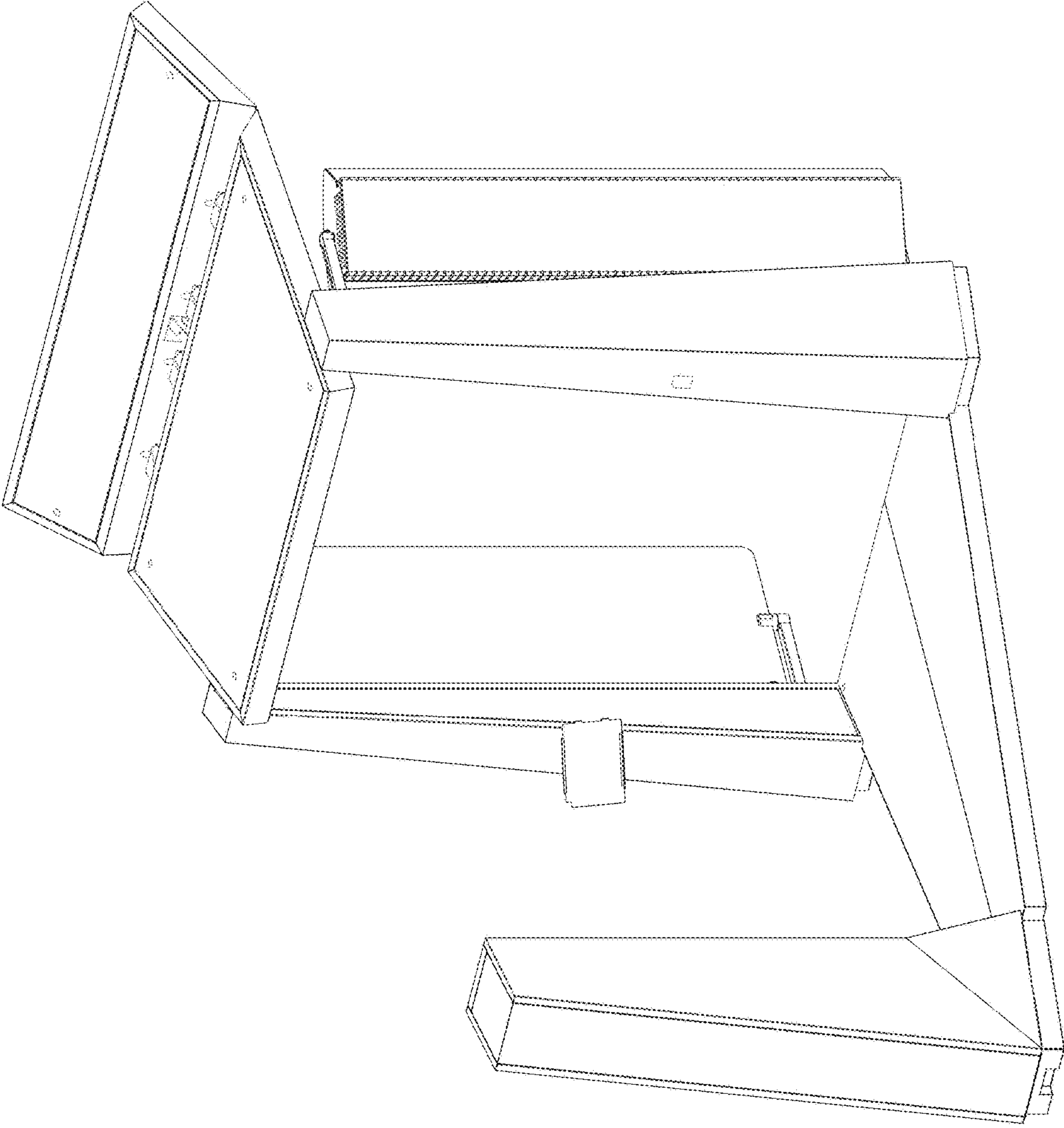


FIG. 1

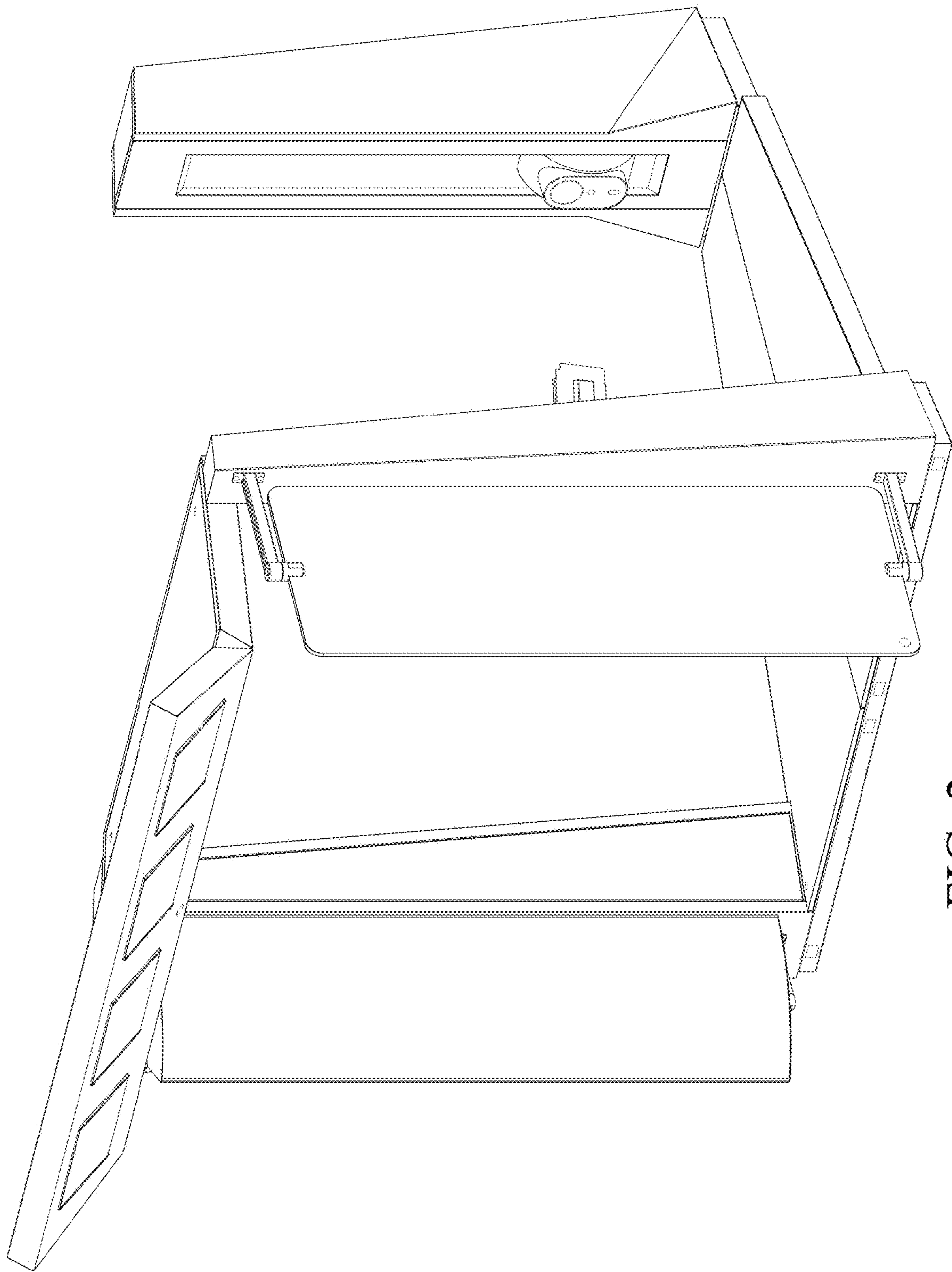


FIG. 2

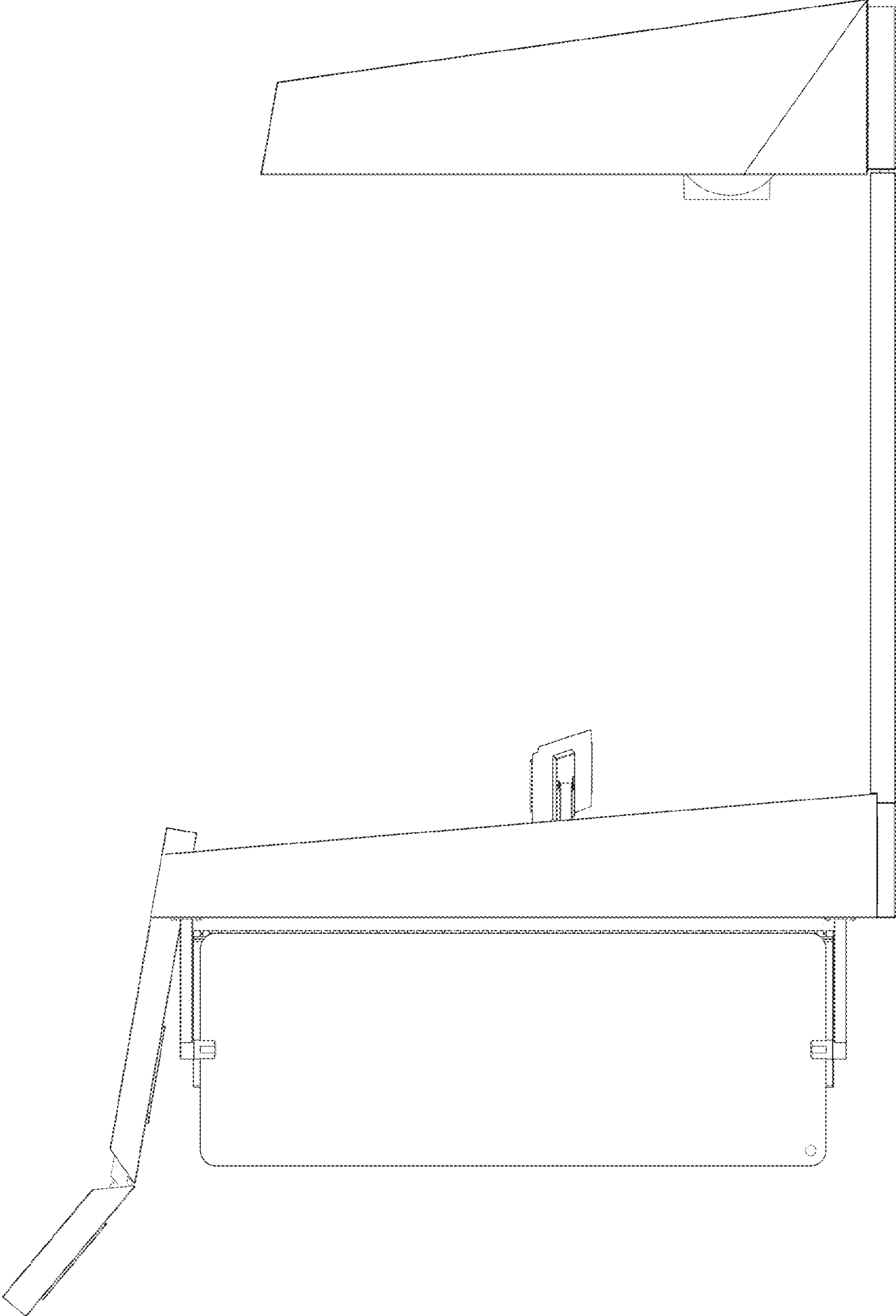


FIG. 3



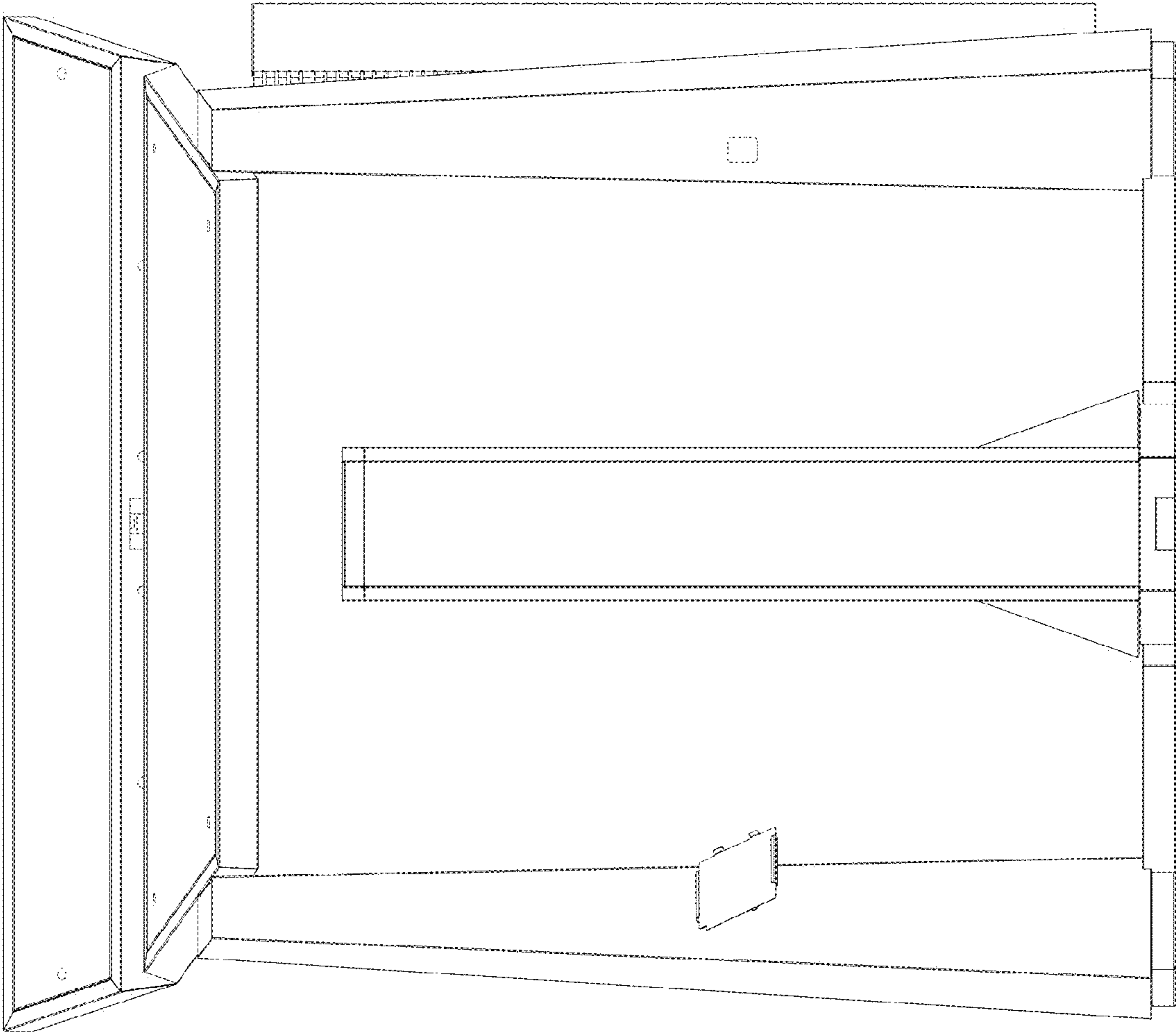


FIG. 4

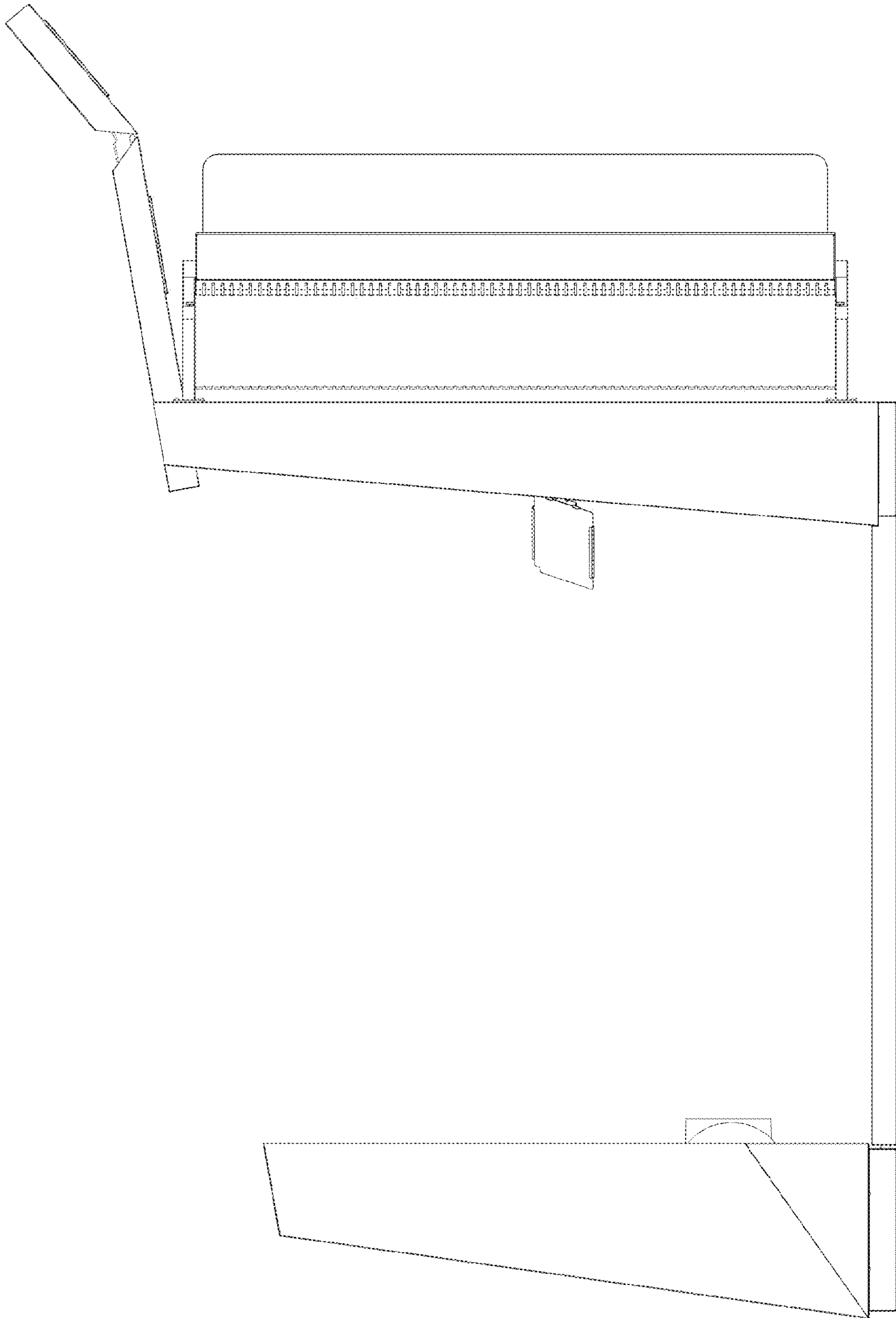


FIG. 5

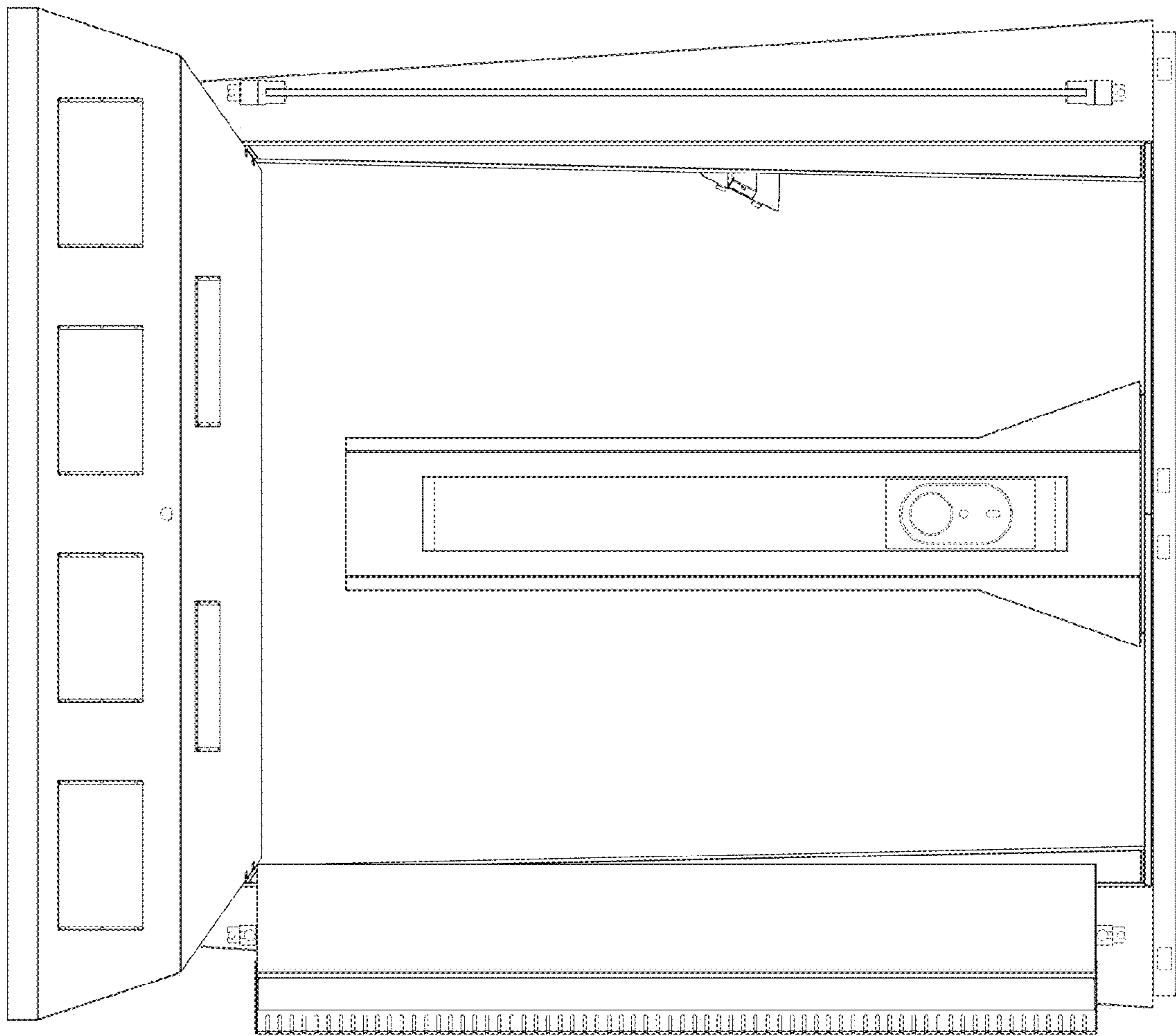


FIG. 6



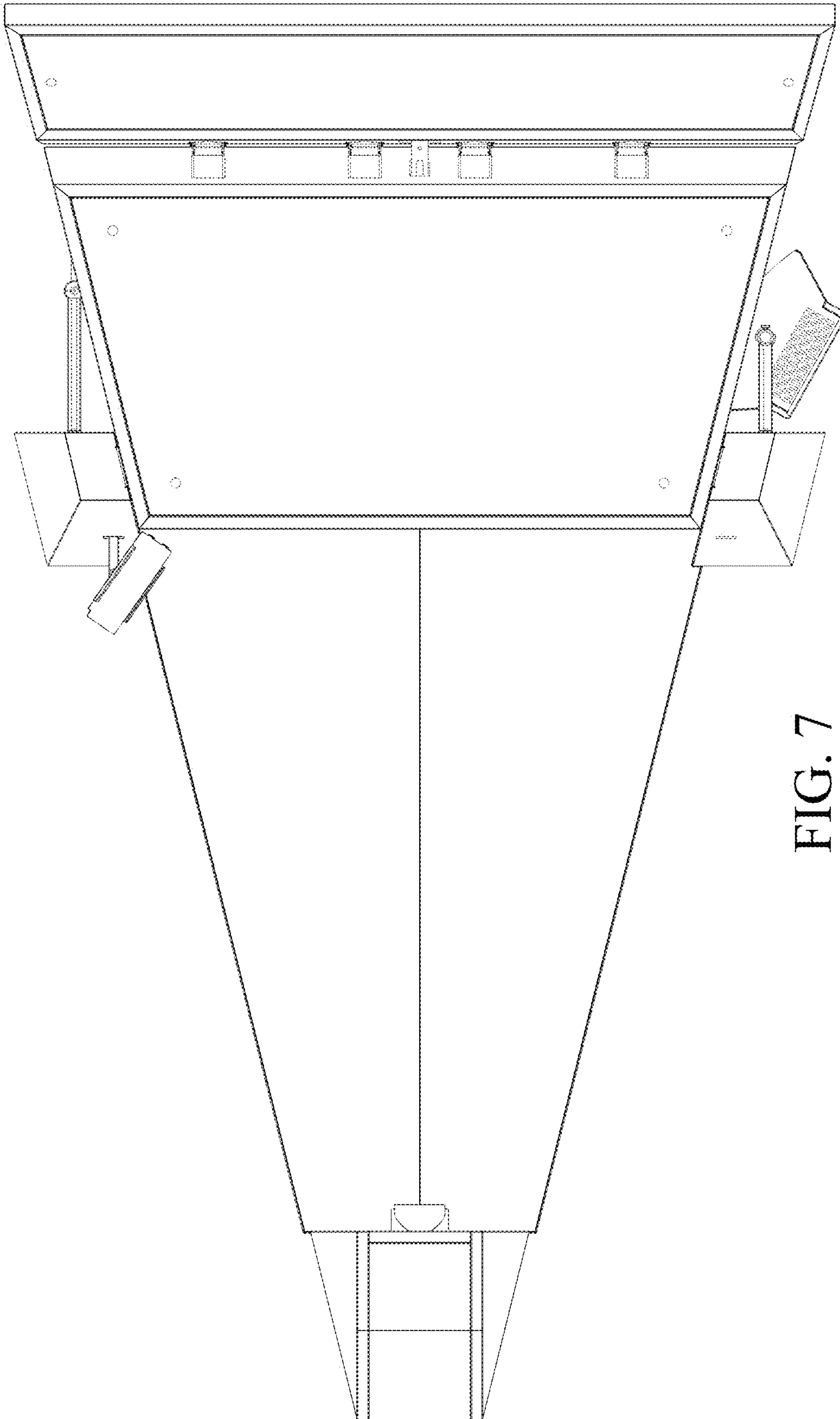


FIG. 7

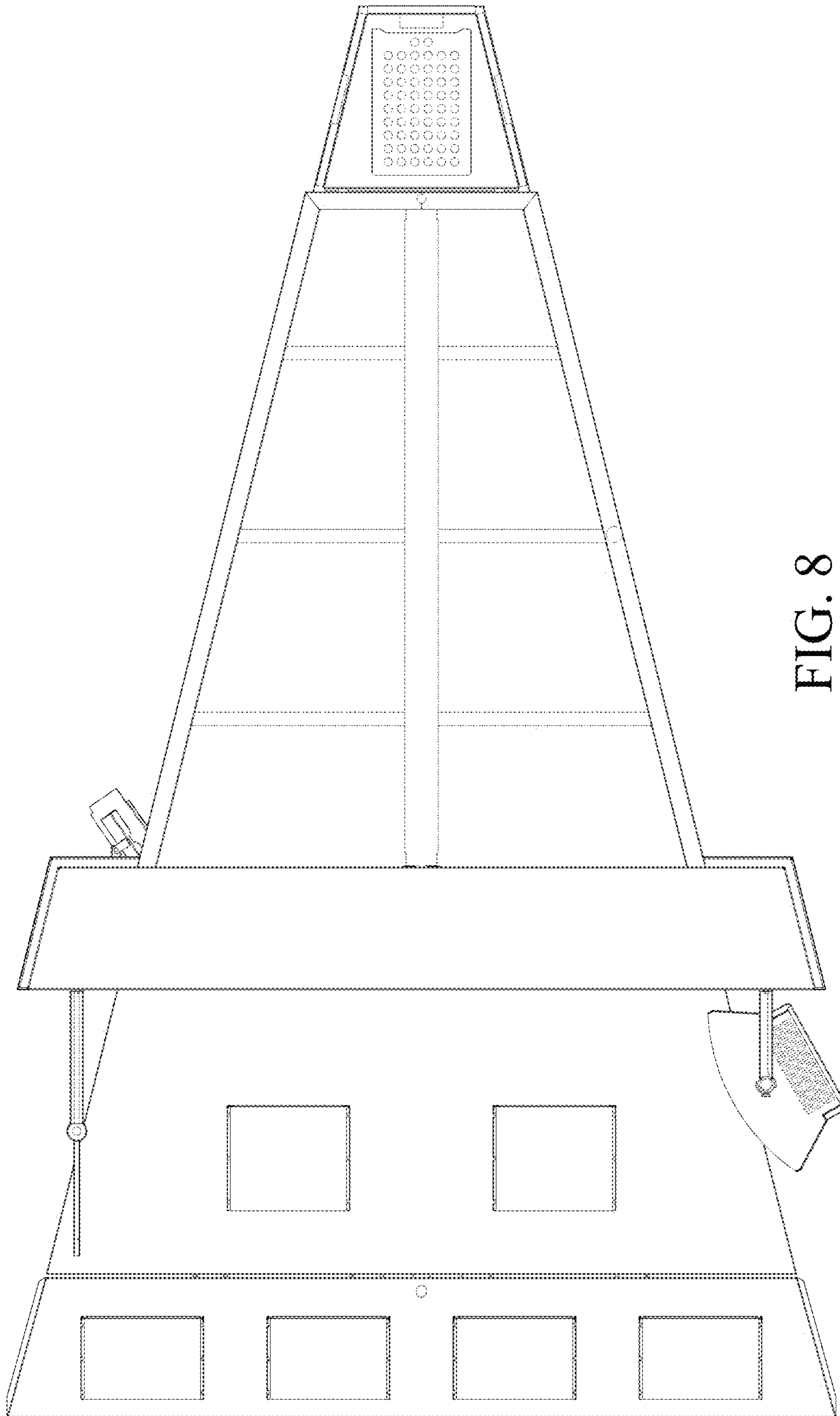


FIG. 8