



US00D882664S

(12) **United States Design Patent**  
**Tang et al.**

(10) **Patent No.:** **US D882,664 S**

(45) **Date of Patent:** **\*\* Apr. 28, 2020**

(54) **SURVEILLANCE CAMERA**

(71) Applicant: **VIVOTEK INC.**, New Taipei (TW)

(72) Inventors: **Wei-Kai Tang**, New Taipei (TW);  
**Chih-Hao Chen**, New Taipei (TW)

(73) Assignee: **VIVOTEK INC.**, New Taipei (TW)

(\*\*) Term: **15 Years**

(21) Appl. No.: **29/683,532**

(22) Filed: **Mar. 14, 2019**

(30) **Foreign Application Priority Data**

Sep. 14, 2018 (TW) ..... 107305466

(51) **LOC (12) Cl.** ..... **16-01**

(52) **U.S. Cl.**  
USPC ..... **D16/203**

(58) **Field of Classification Search**

USPC ..... D16/200, 202–206, 218, 219, 242;  
348/143, 148, 151, 373–376; 396/419,  
396/427, 535, 539–541

CPC ..... G03B 17/02; G03B 19/04; G03B 17/56;  
G03B 17/04; G03B 15/03; H04N 5/2251;  
H04N 5/2252; H04N 5/2253; H04N  
5/2254; H04N 7/181; H04N 7/183; H04N  
7/18; G08B 13/1963; G08B 13/19619;  
G08B 13/19632; F16M 11/04; F16M  
13/00

See application file for complete search history.

(56) **References Cited**

**U.S. PATENT DOCUMENTS**

D633,931 S \* 3/2011 Ham ..... D16/203  
D662,120 S \* 6/2012 Deurwaarder ..... D16/203

D694,798 S \* 12/2013 Deurwaarder ..... D16/203  
D813,290 S \* 3/2018 Song ..... D16/203  
D820,337 S \* 6/2018 Li ..... D16/203  
D829,801 S \* 10/2018 Park ..... D16/203  
D830,443 S \* 10/2018 Borel ..... D16/203  
D832,907 S \* 11/2018 Jeong ..... D16/203  
D841,716 S \* 2/2019 Teachworth ..... D16/203  
D849,094 S \* 5/2019 Gan ..... D16/203  
D861,762 S \* 10/2019 Gan ..... D16/203  
D866,635 S \* 11/2019 Zhong ..... D16/203  
D870,181 S \* 12/2019 Geng ..... D16/203

\* cited by examiner

*Primary Examiner* — Ramzi S Almatrahi

(74) *Attorney, Agent, or Firm* — Winston Hsu

(57) **CLAIM**

The ornamental design for a surveillance camera, as shown and described.

**DESCRIPTION**

FIG. 1 is a bottom, front, and right side perspective view of a surveillance camera showing our new design;

FIG. 2 is a bottom, rear, and left side perspective view thereof;

FIG. 3 is a front elevation view thereof;

FIG. 4 is a rear elevation view thereof;

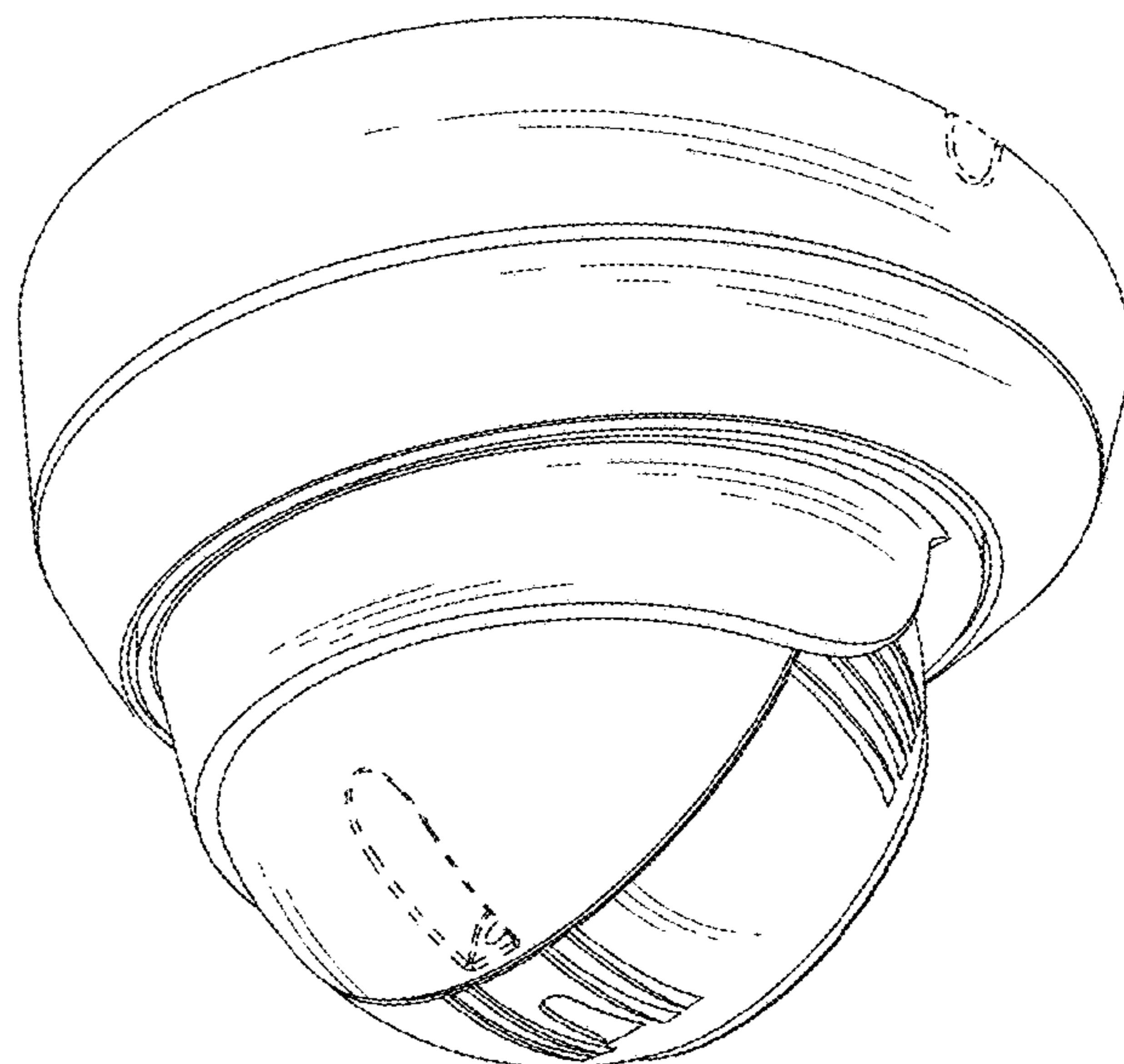
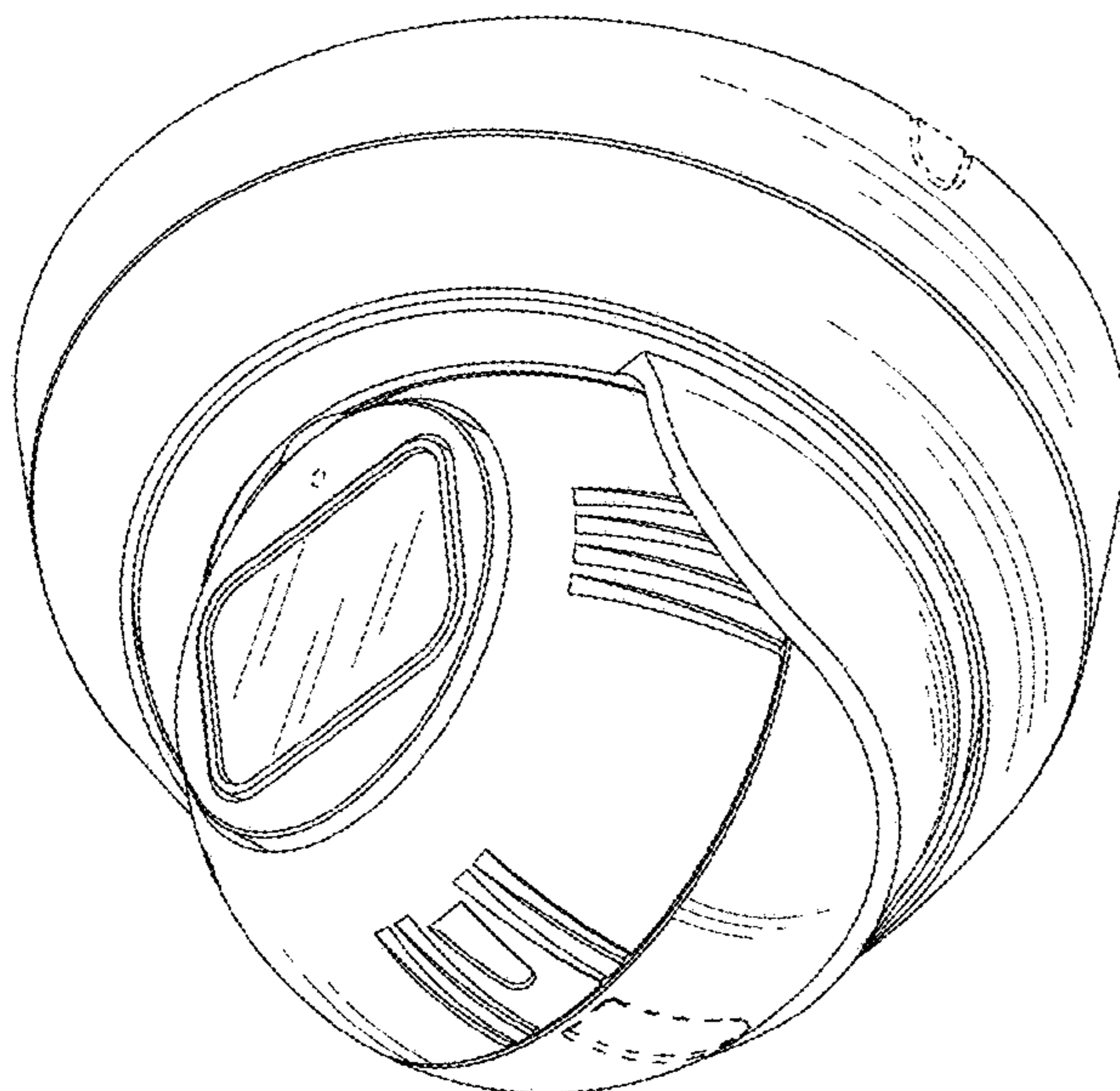
FIG. 5 is a left side elevation view thereof;

FIG. 6 is a right side elevation view thereof; and,

FIG. 7 is a bottom plan view thereof.

The broken lines depict portions of the surveillance camera in which the design is embodied that form no part of the claimed design.

**1 Claim, 7 Drawing Sheets**



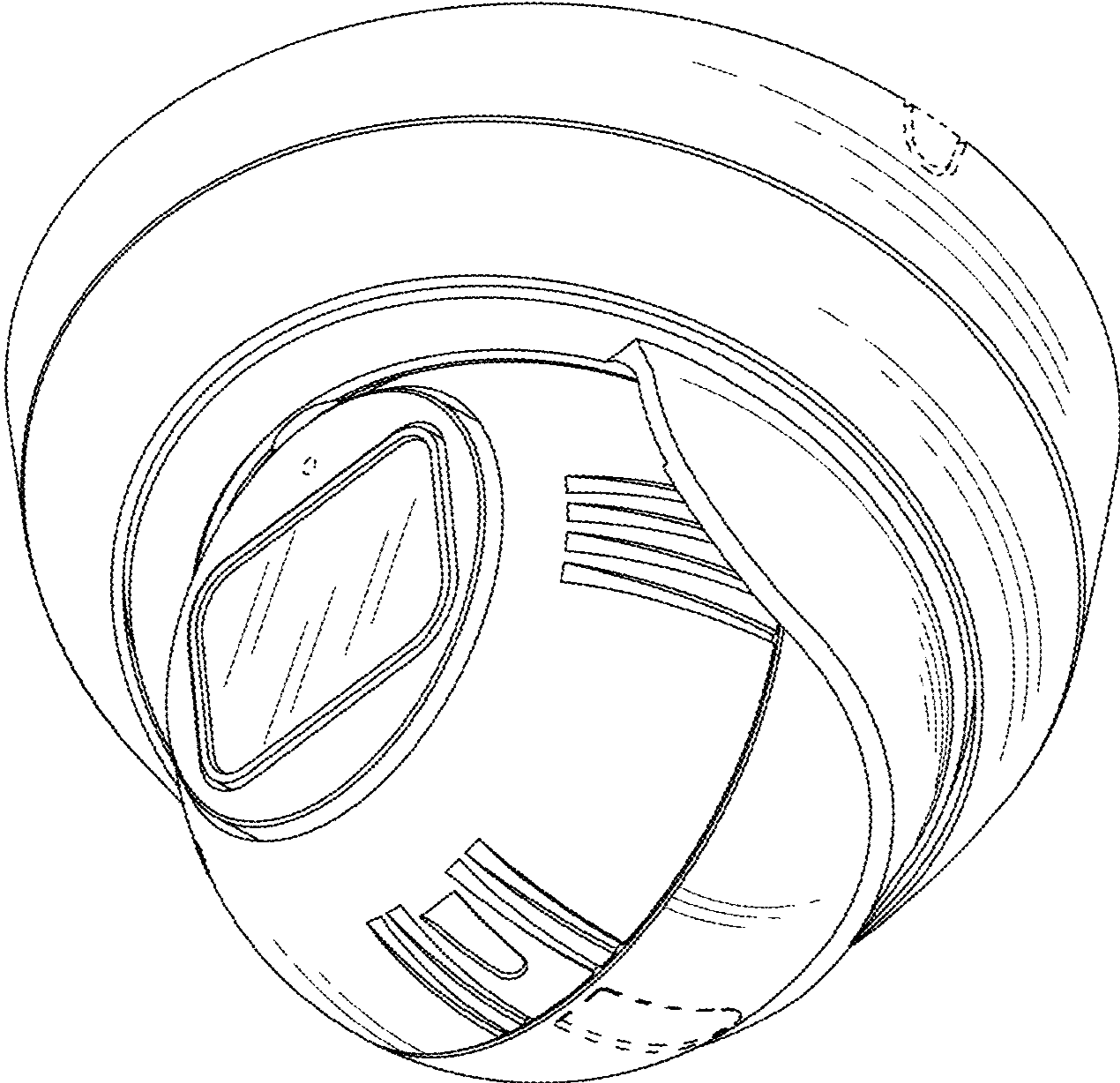


FIG. 1

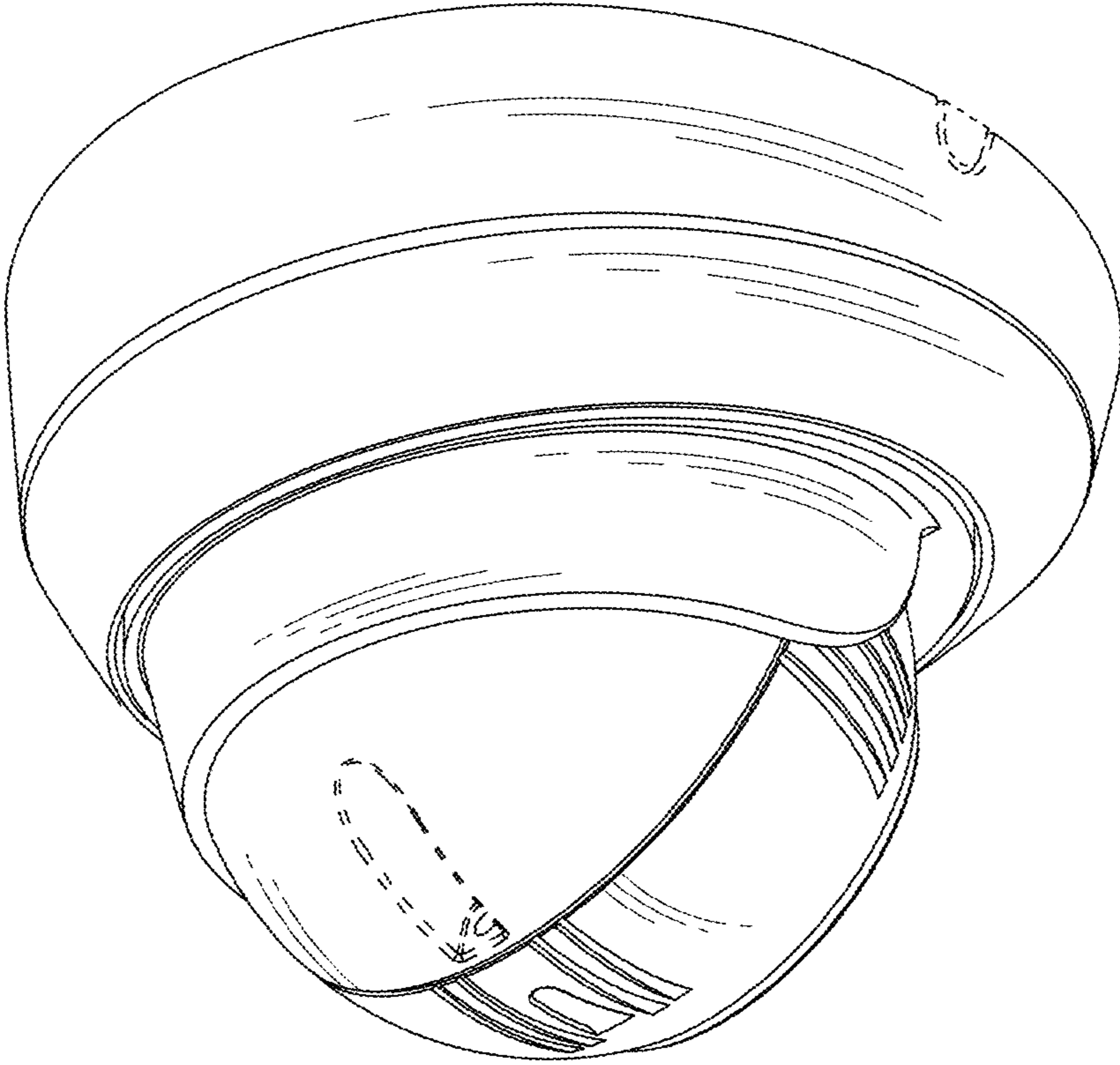


FIG. 2

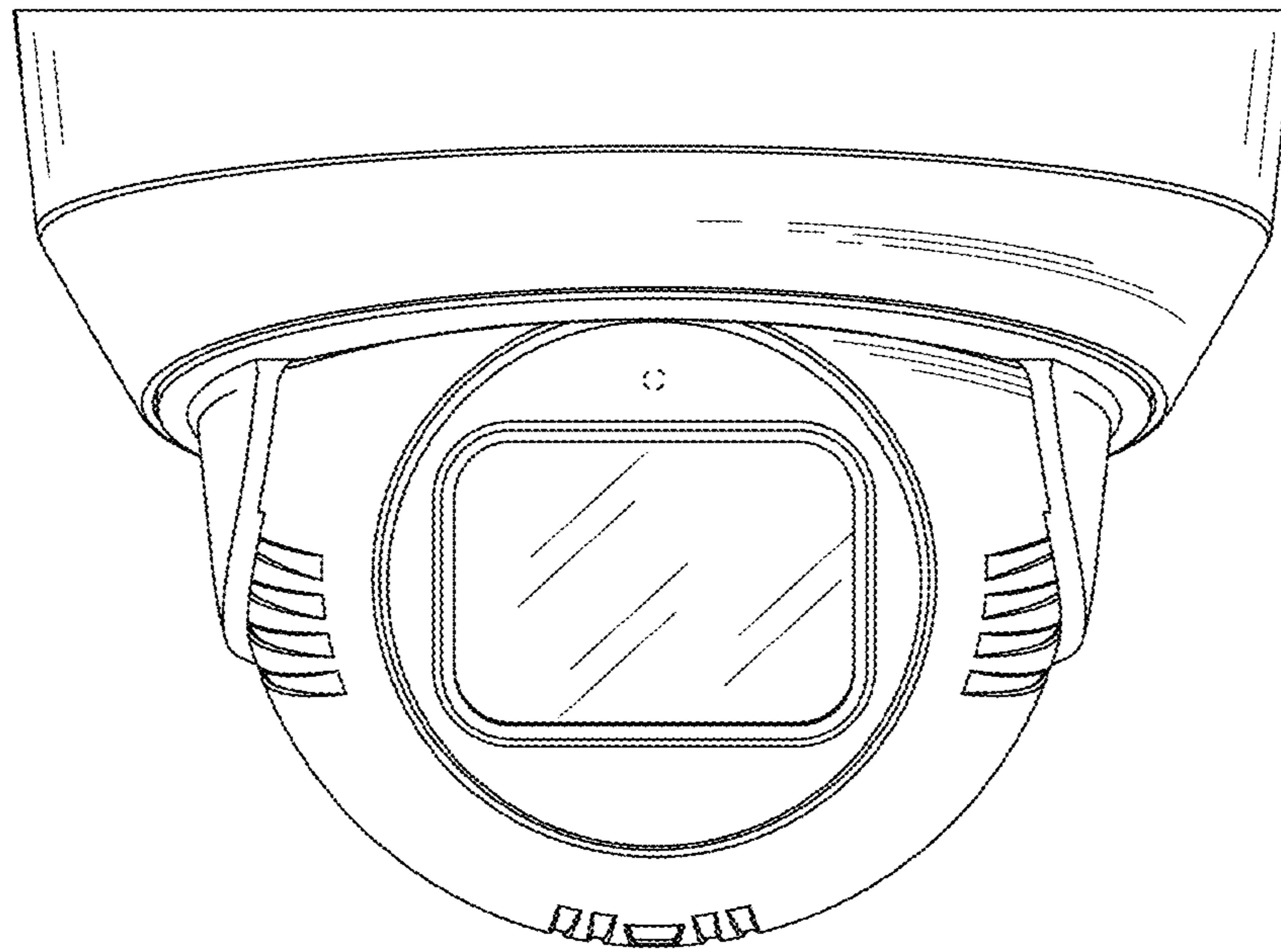


FIG. 3

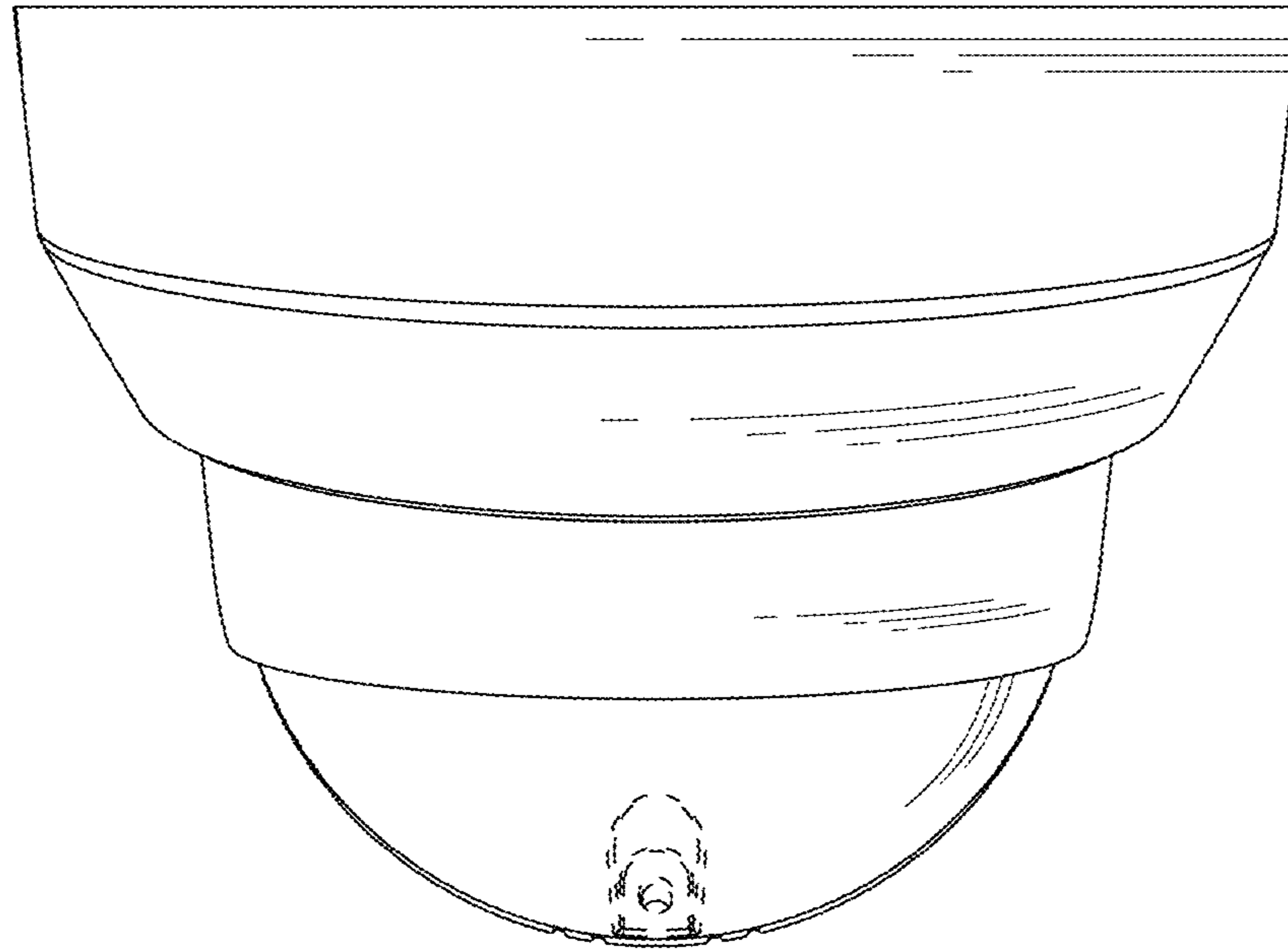


FIG. 4

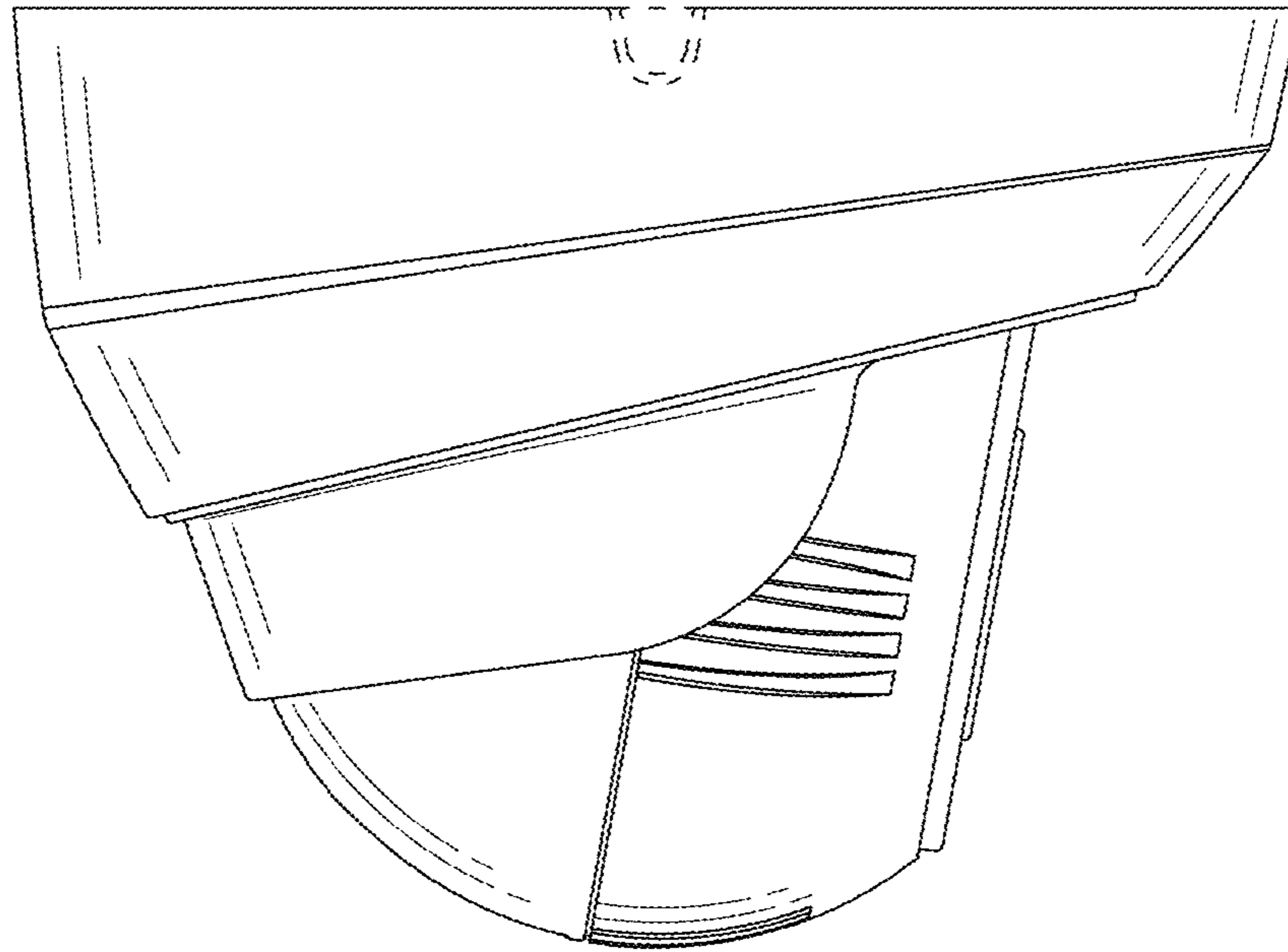


FIG. 5

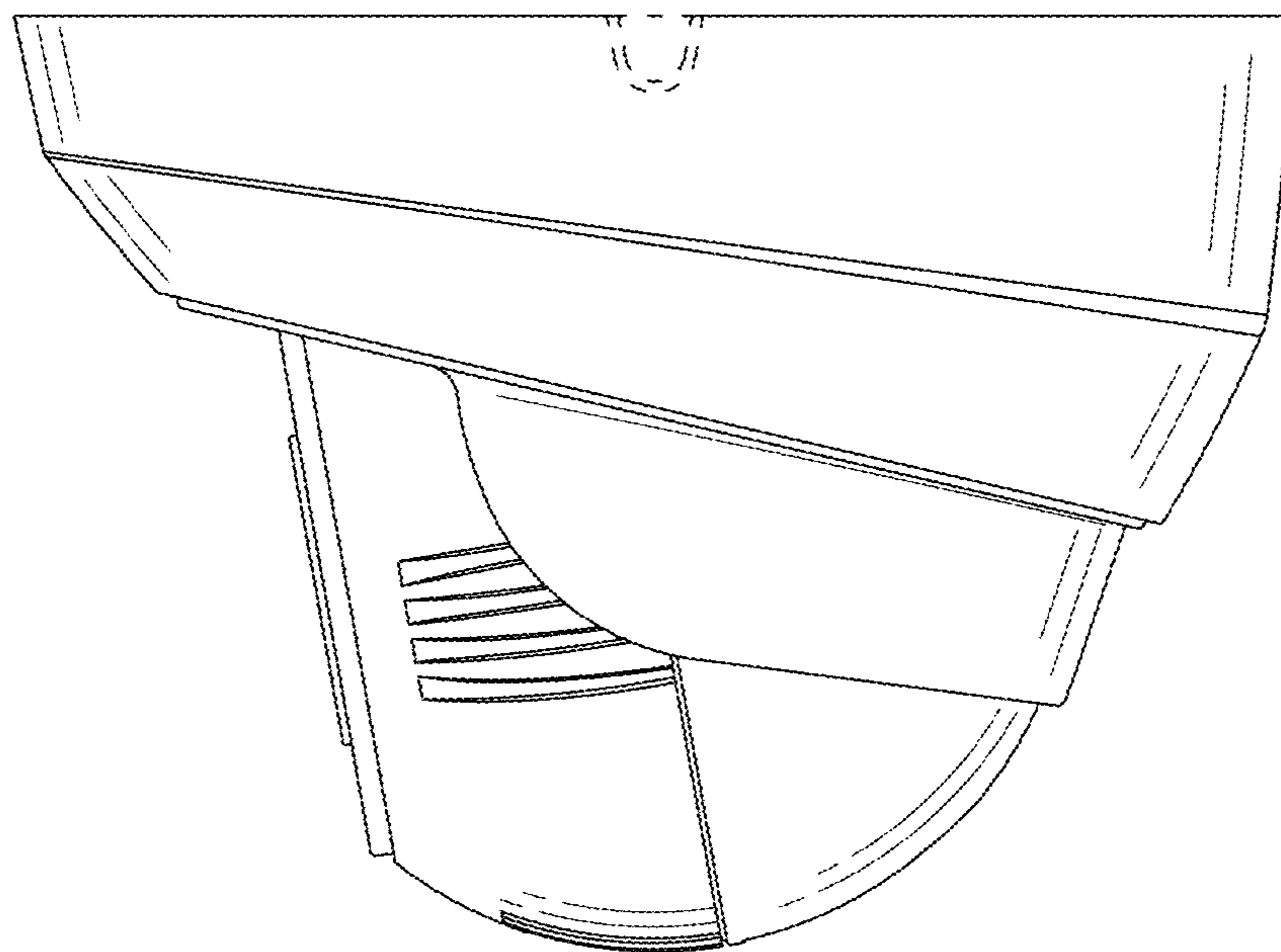


FIG. 6

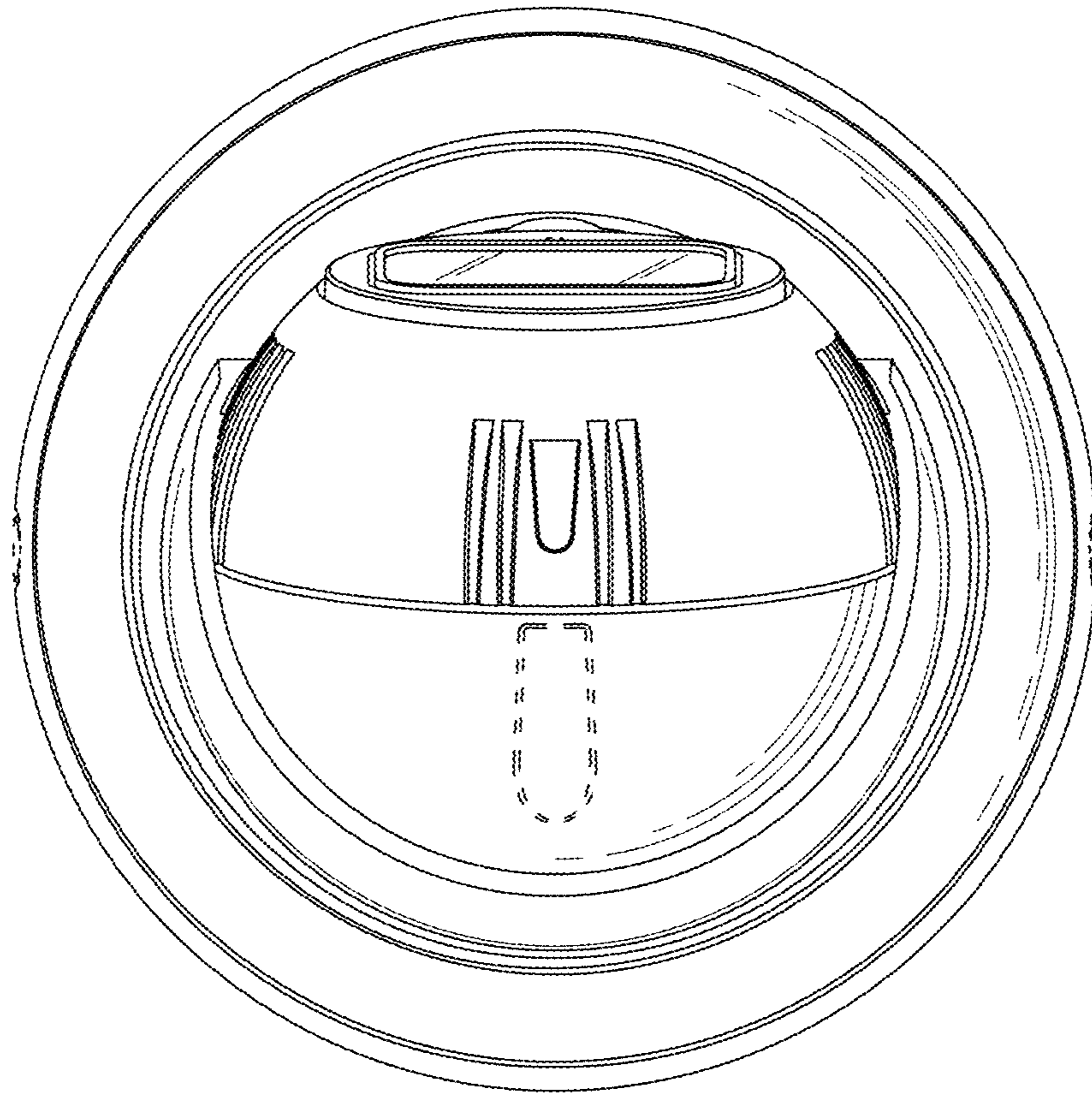


FIG. 7