



US00D882663S

(12) **United States Design Patent**
Walter et al.

(10) **Patent No.:** **US D882,663 S**
(45) **Date of Patent:** **** Apr. 28, 2020**

(54) **CAMERA**

- (71) Applicant: **Axis AB**, Lund (SE)
- (72) Inventors: **Mathias Walter**, Lund (SE); **Daniel Åhman**, Lund (SE); **Mariano Vozzi**, Lund (SE); **Malte Bokvist**, Lund (SE); **Fredrik Axelsson**, Lund (SE)
- (73) Assignee: **AXIS AB**, Lund (SE)
- (**) Term: **15 Years**
- (21) Appl. No.: **29/654,439**
- (22) Filed: **Jun. 25, 2018**

(30) **Foreign Application Priority Data**

Jan. 15, 2018 (EM) 004665966-0001
 Jan. 15, 2018 (EM) 004665966-0002
 Jan. 15, 2018 (EM) 004665966-0003

(51) **LOC (12) Cl.** **16-01**
 (52) **U.S. Cl.**
 USPC **D16/203**

(58) **Field of Classification Search**
 USPC D16/200–220, 131, 237, 242, 239, 250,
 D16/235, 130, 134, 136, 238;
 D14/138 C, 240, 248, 203.1, 203.3, 203.7,
 D14/218, 207; D10/104.1, 50, 65, 74,
 D10/70, 118.2, 106.6, 106.8; D6/542,
 D6/545
 CPC . G02B 7/02; G02B 7/021; G02B 7/04; G02B
 7/14; G02B 7/003; G03B 17/00; G03B
 17/02; G03B 17/56; G03B 17/04; G03B
 17/14; G03B 17/08; G03B 15/03;
 (Continued)

(56) **References Cited**

U.S. PATENT DOCUMENTS

D452,696 S * 1/2002 Fenton D16/203
 D467,676 S * 12/2002 Packer D26/72

(Continued)

FOREIGN PATENT DOCUMENTS

EM 002967810 2/2016
 EM 003514991 12/2016

(Continued)

OTHER PUBLICATIONS

Axis Communications Companion Eye mini L 2MP Network Dome Camera with Night Vision, published 2019 [online], [retrieved Sep. 23, 2019]. Available from Internet, URL: https://www.bhphotovideo.com/c/product/1454523-REG/axis_communications_01064_001_companion_eye_mini_1.html.*

(Continued)

Primary Examiner — T Chase Nelson
Assistant Examiner — Mary Claire Ramirez
 (74) *Attorney, Agent, or Firm* — Tucker Ellis LLP

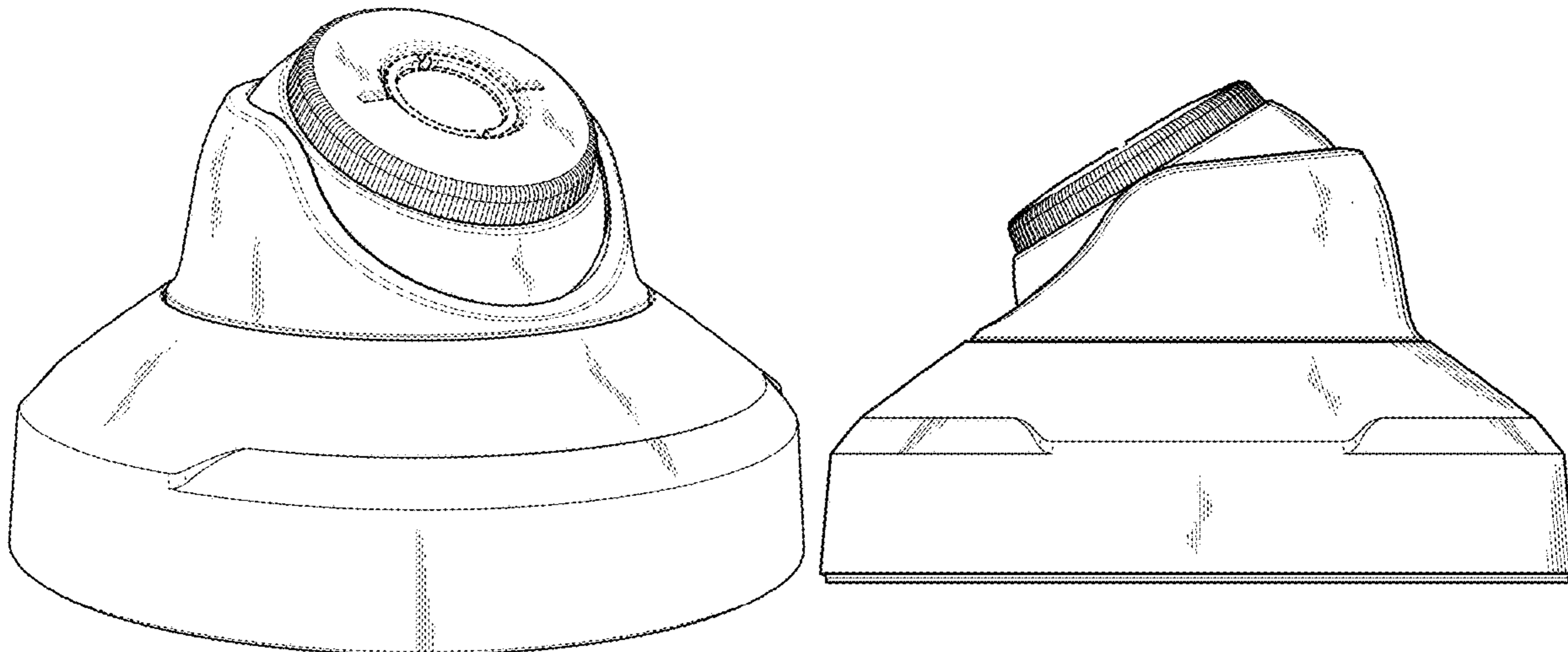
(57) **CLAIM**

The ornamental design for a camera, as shown and described.

DESCRIPTION

FIG. 1 is a perspective view of a camera showing our new design with a lens assembly tilted at a first position;
 FIG. 2 is a front view thereof;
 FIG. 3 is a rear view thereof;
 FIG. 4 is a right side view thereof;
 FIG. 5 is a left side view thereof;
 FIG. 6 is a top view thereof;
 FIG. 7 is a bottom view thereof;
 FIG. 8 is a right side view thereof with a lens assembly tilted at a second position; and,
 FIG. 9 is a right side view thereof with the lens assembly tilted at a third position.
 The broken lines are for the purpose of illustrating portions of the camera and form no part of the claimed design.

1 Claim, 6 Drawing Sheets



(58) **Field of Classification Search**

CPC G03B 15/06; H04N 5/2251; H04N 5/2252;
 H04N 5/2253; H04N 5/2254; H04N 7/00;
 H04N 2101/00; F16M 13/00
 See application file for complete search history.

(56) **References Cited**

U.S. PATENT DOCUMENTS

D556,236 S * 11/2007 Kim D16/202
 D609,732 S * 2/2010 Frank D16/203
 D626,984 S * 11/2010 Miyaji D16/202
 D629,439 S * 12/2010 Yoshida D16/203
 D633,931 S * 3/2011 Ham D16/203
 D639,842 S * 6/2011 Zeinoun D16/203
 D653,687 S * 2/2012 Yu D16/200
 D657,410 S * 4/2012 Helaoui D16/203
 D676,477 S * 2/2013 Chen D16/202
 D721,755 S * 1/2015 Ahman D16/203
 D740,874 S * 10/2015 Ahman D16/203
 D741,934 S * 10/2015 Stark D16/203
 D743,465 S * 11/2015 Aglassinger D16/203
 D745,911 S * 12/2015 Lee D16/203
 D749,662 S * 2/2016 Chen D16/203
 D752,675 S * 3/2016 Ravat D16/203
 D756,437 S * 5/2016 Bennermark D16/203
 D783,076 S * 4/2017 Ravat D16/203
 D809,048 S * 1/2018 Andersson D16/203
 D813,926 S * 3/2018 Shin D16/203
 D816,755 S * 5/2018 Barnekow D16/203
 D817,378 S * 5/2018 Persson D16/203
 D823,919 S * 7/2018 Persson D16/203
 D837,863 S * 1/2019 Persson D16/203
 D839,338 S * 1/2019 Persson D16/203
 D848,514 S * 5/2019 Ahman D16/219
 D849,120 S * 5/2019 Ahman D16/219

D856,397 S * 8/2019 Ahman D16/219
 D857,079 S * 8/2019 Helaoui D16/203
 D861,057 S * 9/2019 Klein D16/203
 10,430,972 B2 * 10/2019 Dahlstrom G06T 7/74
 D866,636 S * 11/2019 Walter D16/203
 D866,641 S * 11/2019 Walter D16/203
 D867,423 S * 11/2019 Helaoui D16/203
 D867,424 S * 11/2019 Helaoui D16/203
 D867,425 S * 11/2019 Shuai D16/203
 D870,180 S * 12/2019 Qiu D16/203
 D870,792 S * 12/2019 Lundblad D16/203
 D870,793 S * 12/2019 Lundblad D16/203
 D871,485 S * 12/2019 Walter D16/203
 2011/0090350 A1 * 4/2011 Oomori H04N 5/2252
 348/207.99
 2012/0106943 A1 * 5/2012 Mukai G03B 37/00
 396/427
 2013/0287385 A1 * 10/2013 Andersson H04N 5/2252
 396/427
 2016/0112608 A1 * 4/2016 Elensi H04N 5/2252
 348/143
 2017/0353635 A1 * 12/2017 Shin H04N 7/18
 2018/0165932 A1 * 6/2018 Larsson G08B 13/19619
 2019/0191059 A1 * 6/2019 Park H04N 5/2251

FOREIGN PATENT DOCUMENTS

TW D181983 3/2017
 TW D184316 7/2017

OTHER PUBLICATIONS

Taiwanese Search Report from corresponding Taiwan Design Appli-
 cation No. 107303686, dated Mar. 27, 2019; 5 pages.

* cited by examiner

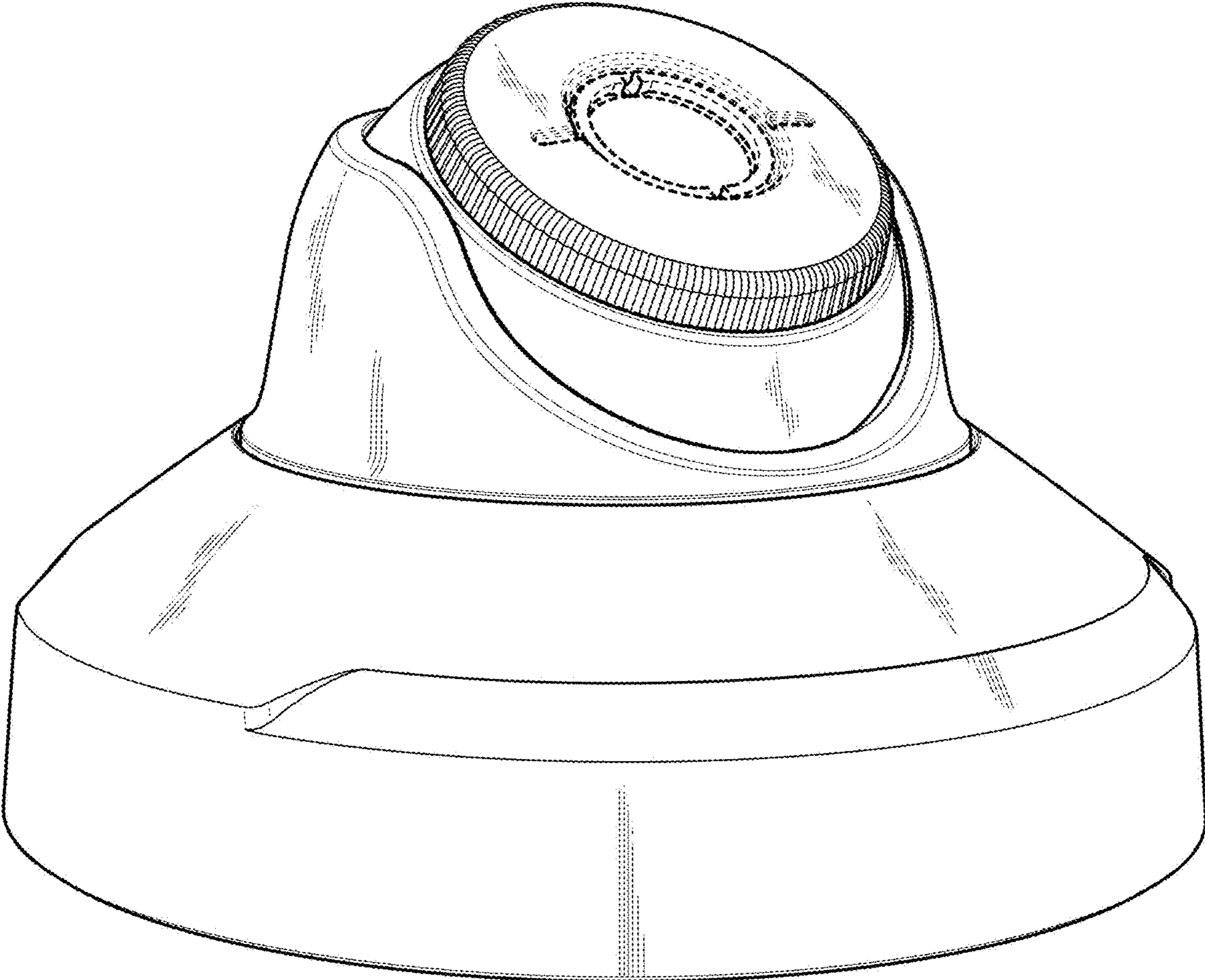


FIG. 1

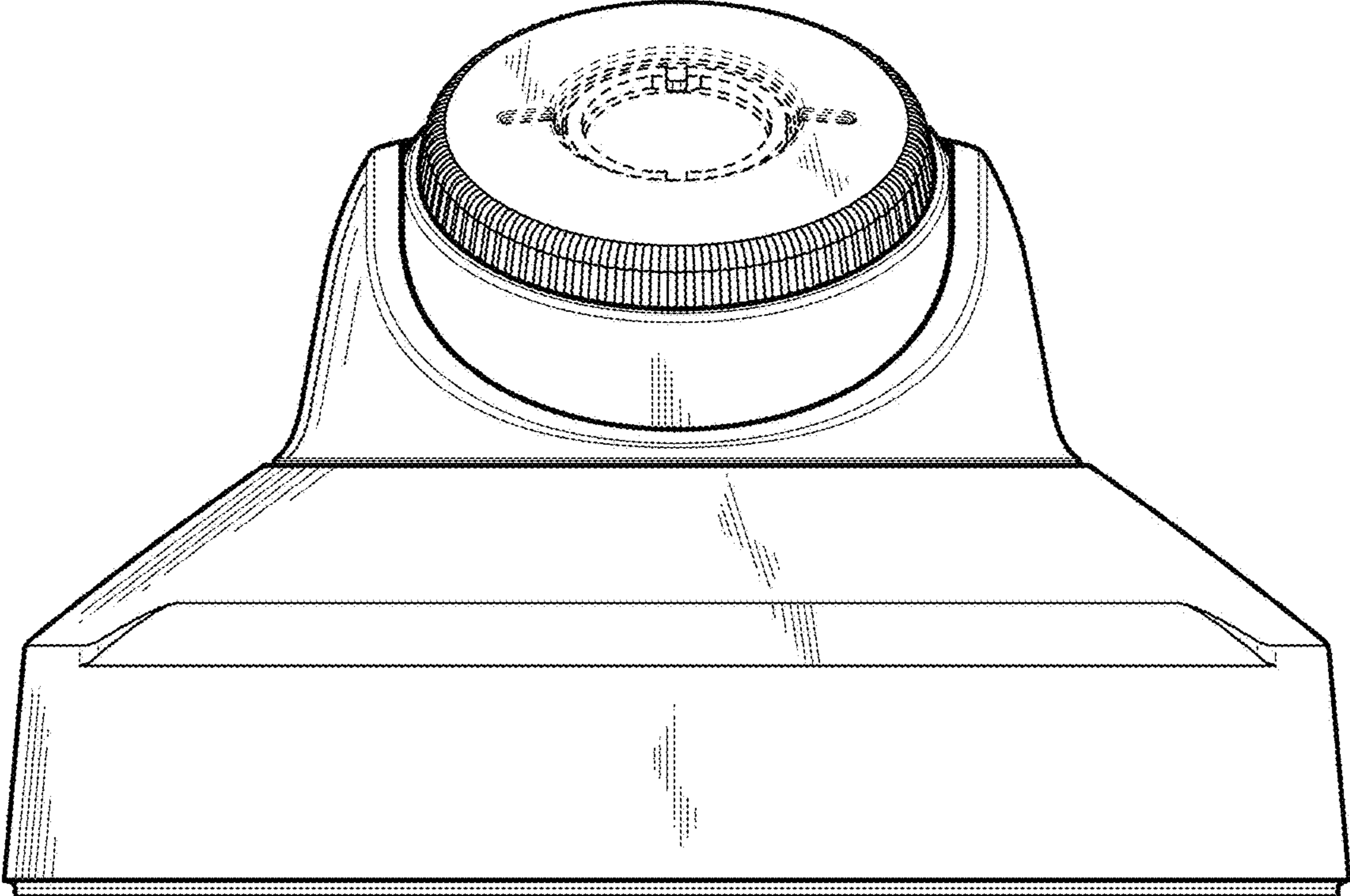


FIG. 2

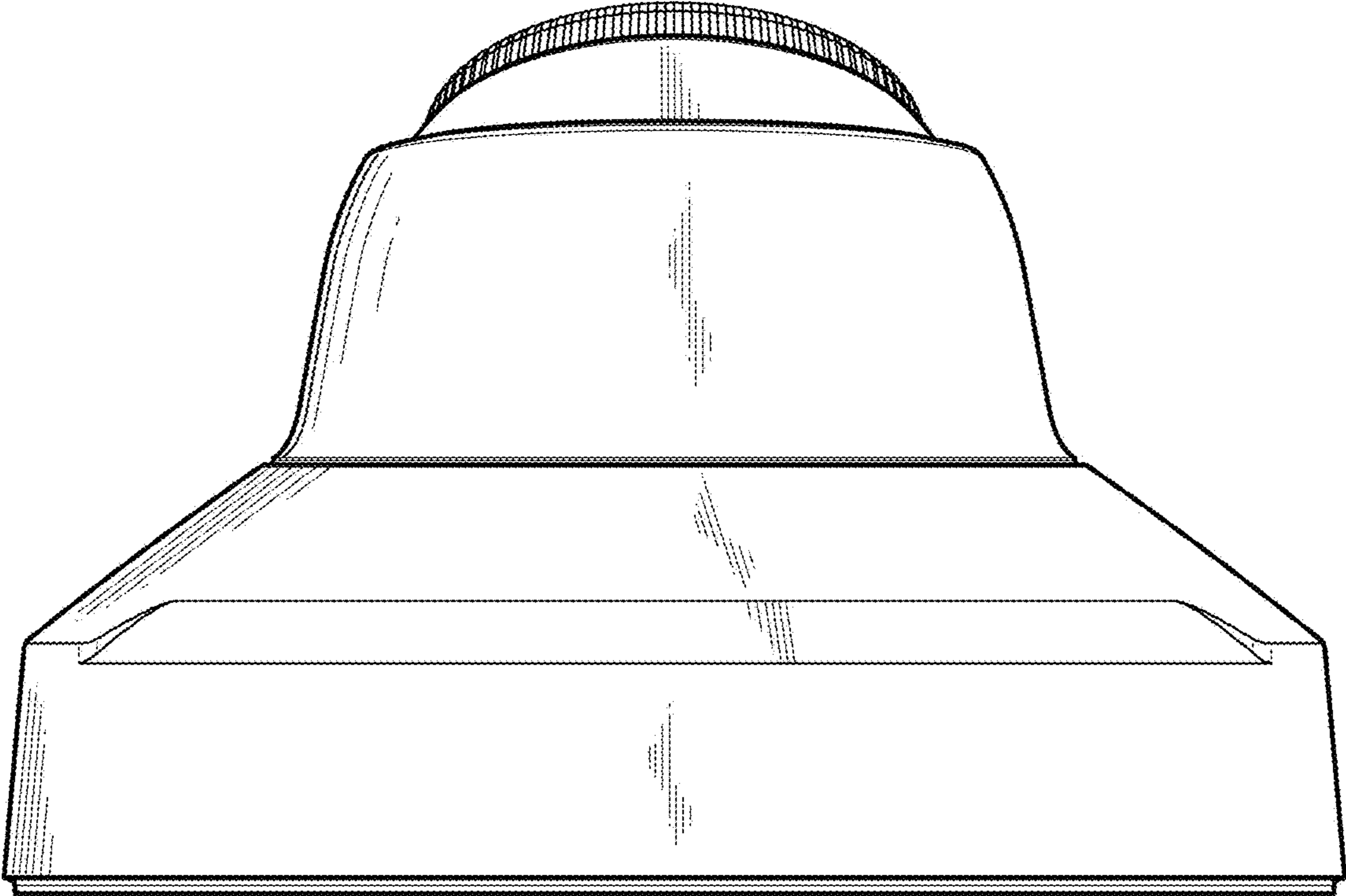


FIG. 3

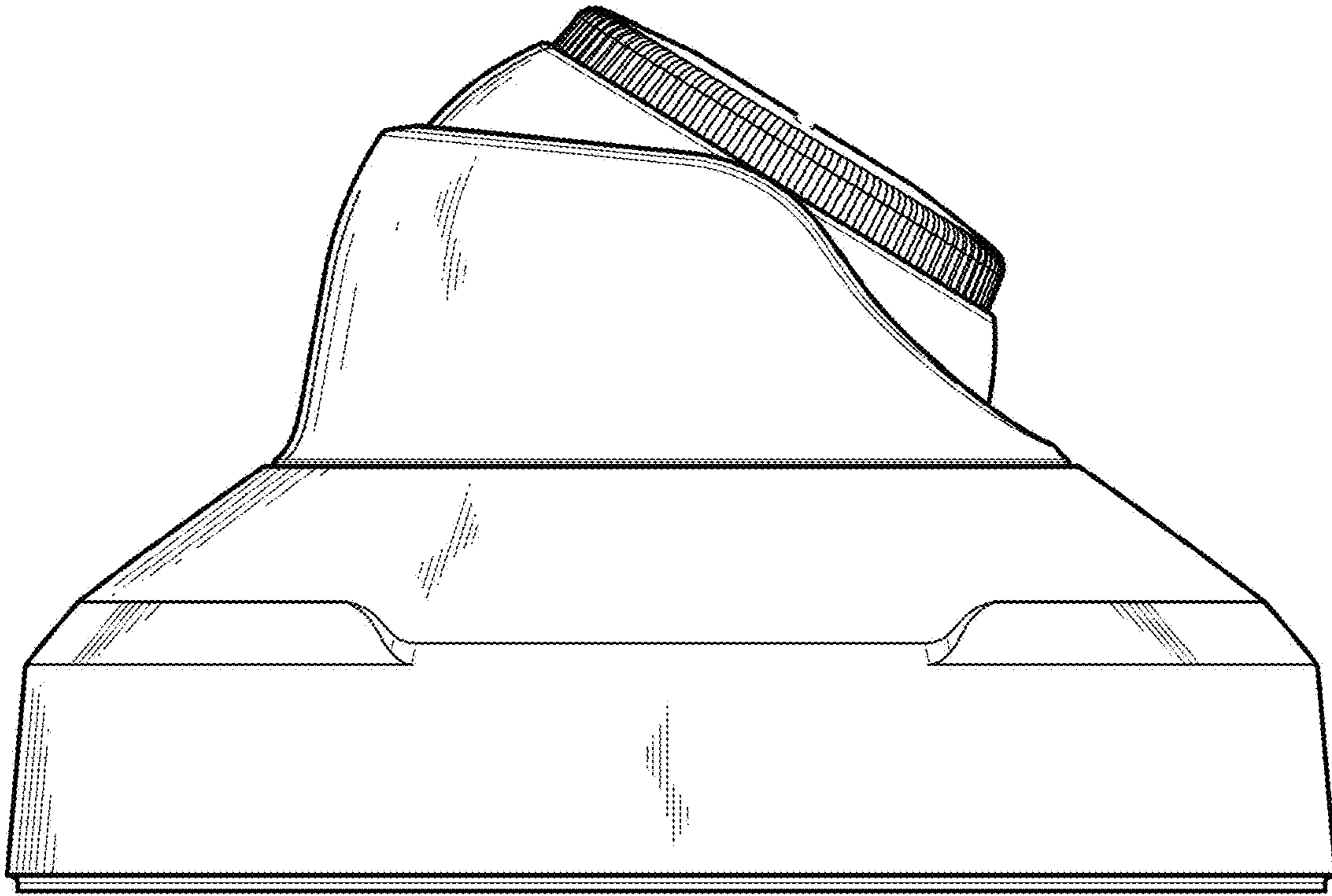


FIG. 4

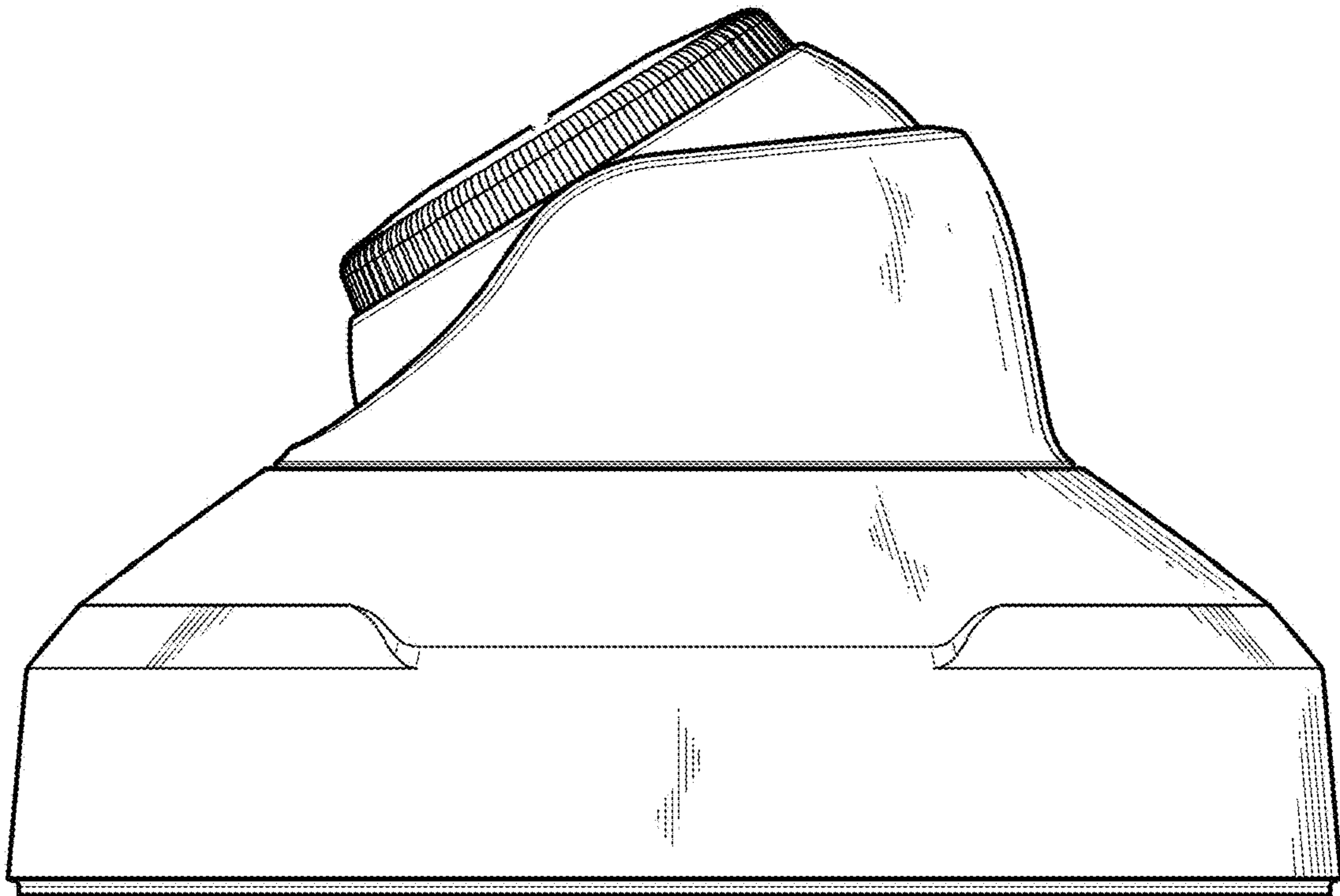


FIG. 5

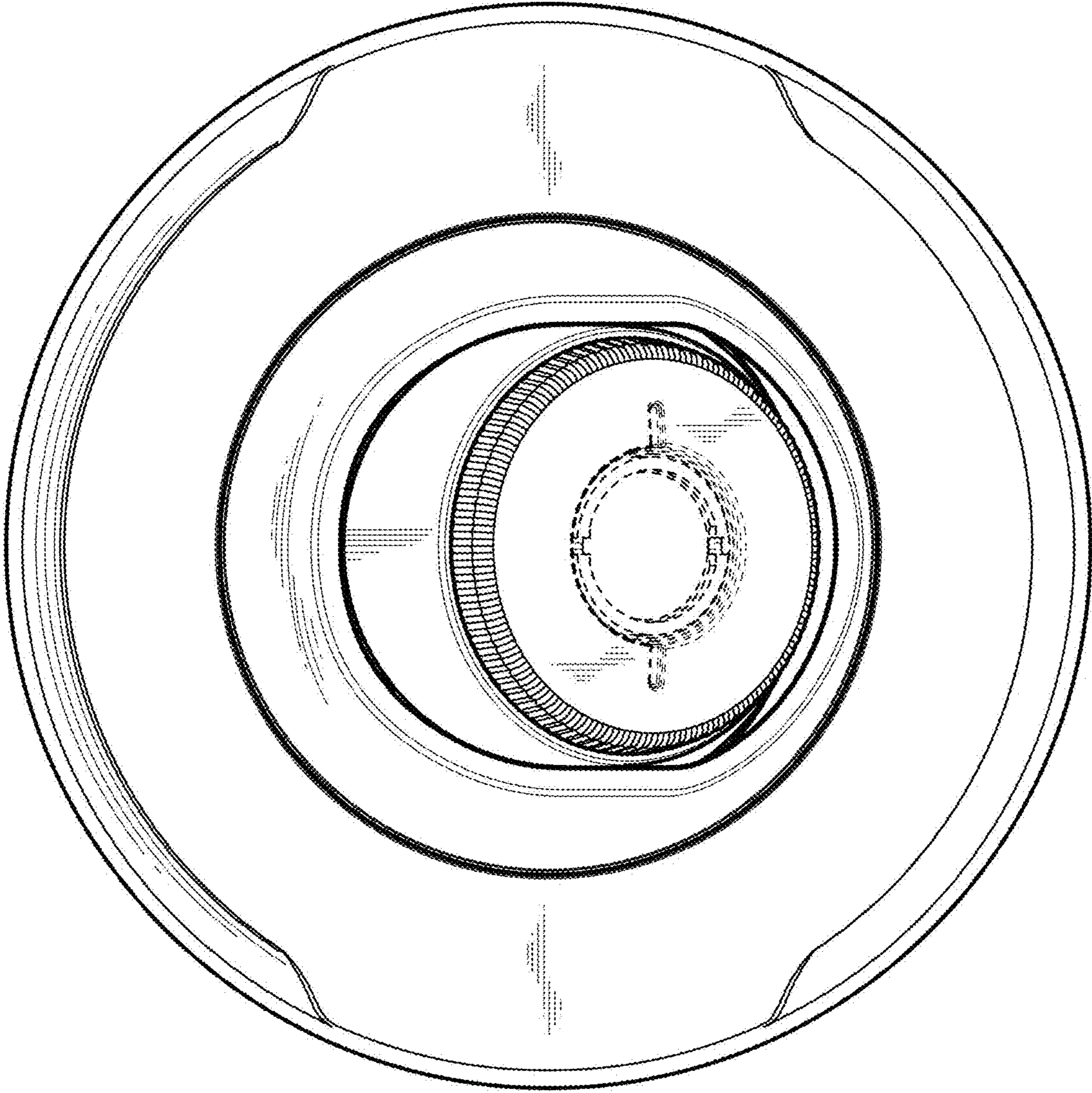


FIG. 6

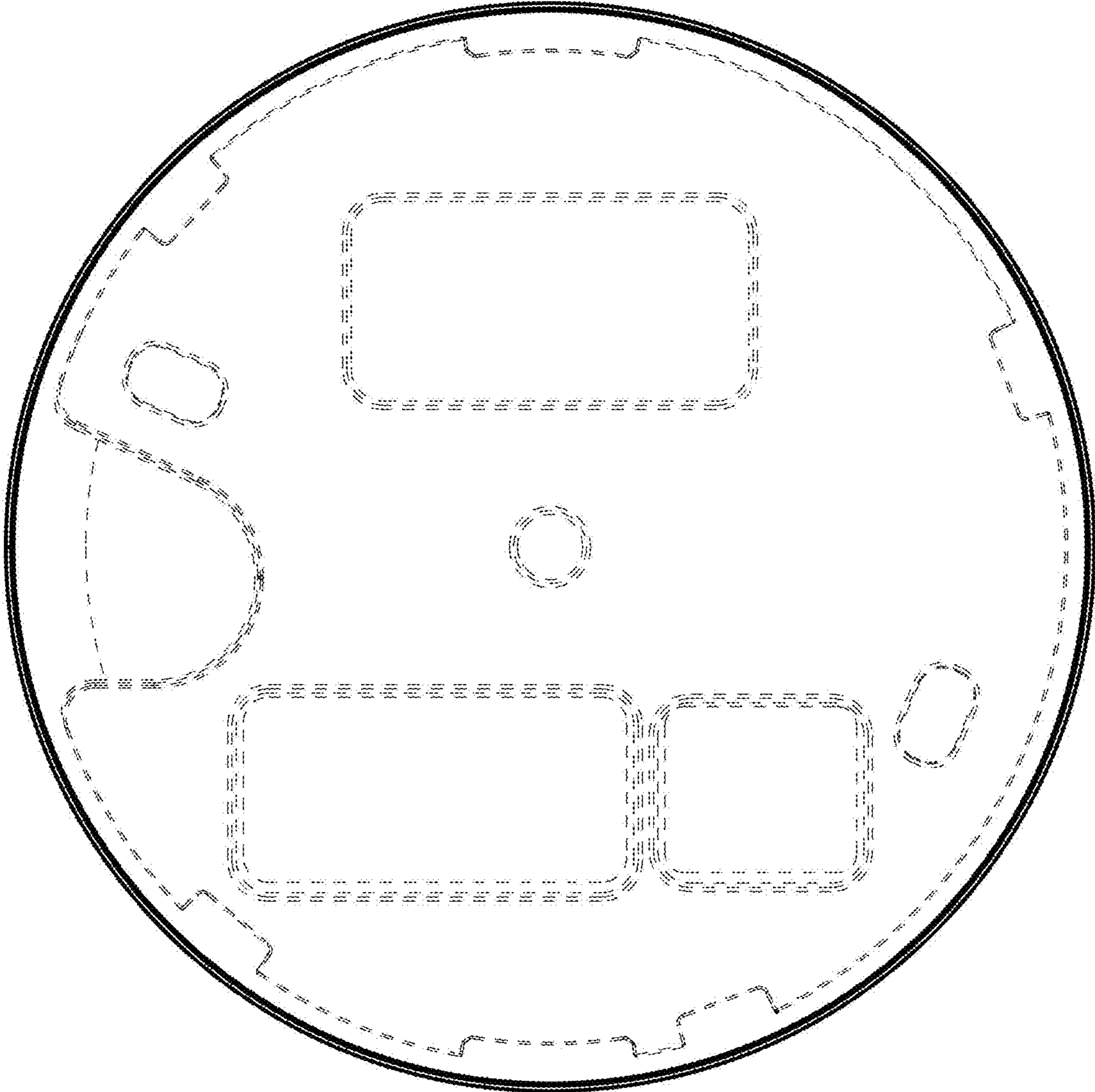


FIG. 7

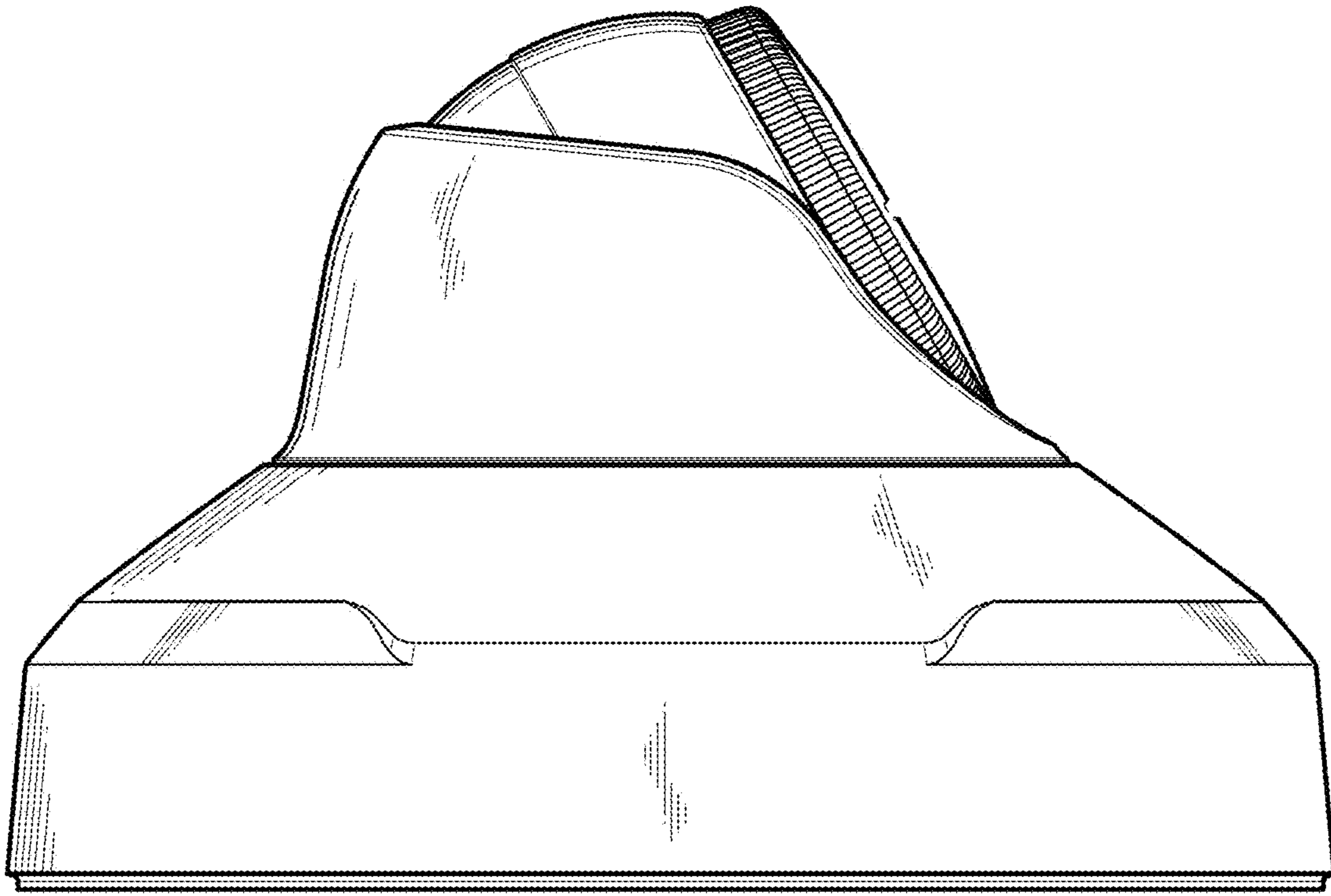


FIG. 8

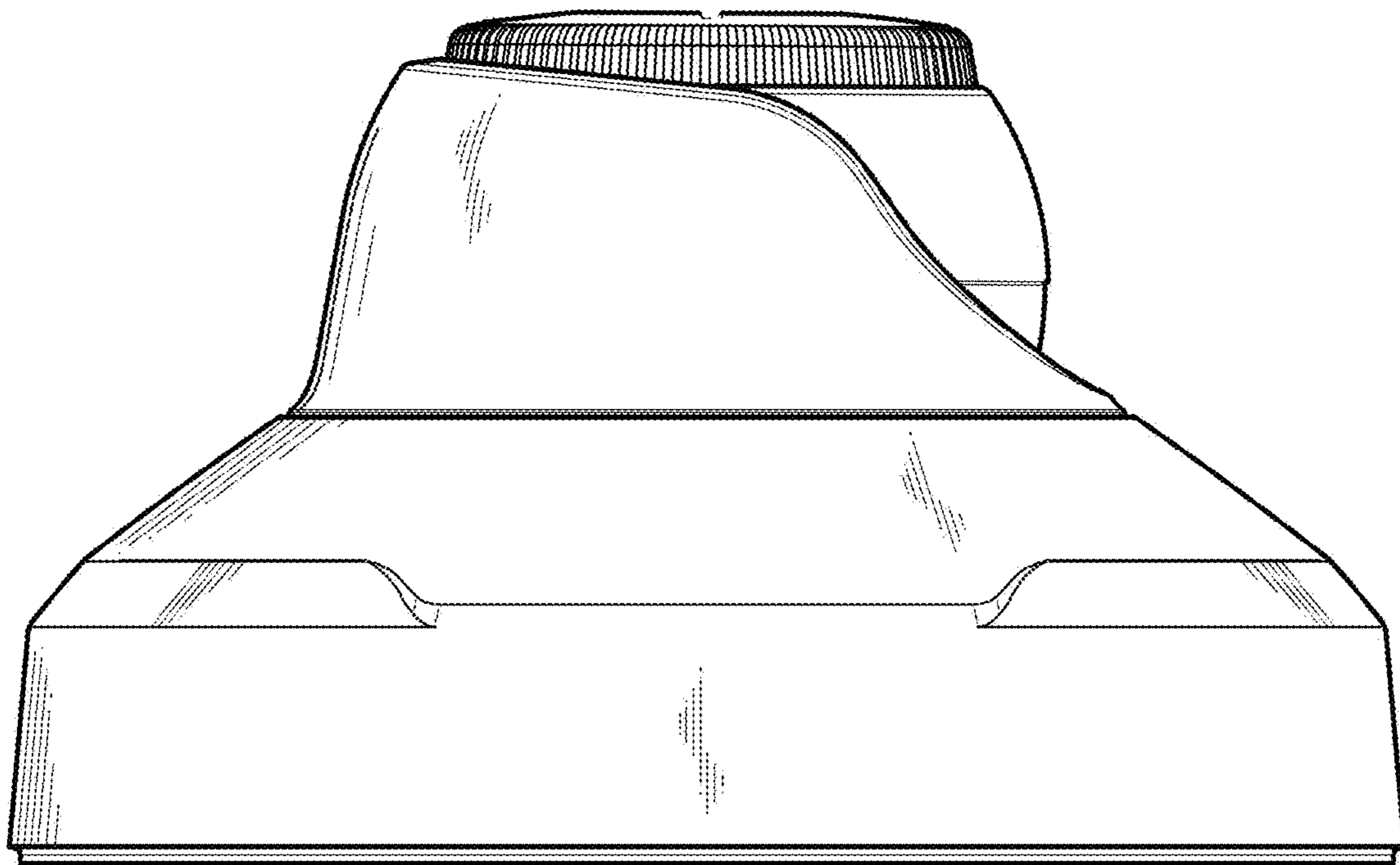


FIG. 9