



US00D882660S

(12) **United States Design Patent**
Jafarzadeh et al.

(10) **Patent No.:** **US D882,660 S**

(45) **Date of Patent:** **** Apr. 28, 2020**

(54) **COMBINED LID AND DISPLAY SCREEN PORTION FOR A DELIVERY ROBOT**

G05B 2219/25145; G05B 2219/39082;
G05B 2219/39191; G05B 2219/39322;
G05B 2219/45031

(71) Applicant: **Postmates Inc.**, San Francisco, CA (US)

See application file for complete search history.

(72) Inventors: **Ario Jafarzadeh**, San Francisco, CA (US); **Ali Haghghat Kashani**, San Francisco, CA (US); **Bastian Jan Michael Lehmann**, San Francisco, CA (US); **Sean Tracey Plaice**, San Francisco, CA (US); **Gadi Amit**, San Mateo, CA (US); **Stephanie Lee**, San Francisco, CA (US); **Erik Keith Lee Askin**, San Francisco, CA (US); **Maiya Naruko Bennett Jensen**, Oakland, CA (US); **Benjamin J H Wong**, San Francisco, CA (US); **Stephen Lynn**, San Francisco, CA (US); **Bee Jay Malveda Murallon**, San Francisco, CA (US); **Cormac Eubanks**, San Francisco, CA (US); **Colin Paul Janssen**, San Francisco, CA (US); **Chace Francis Medeiros**, San Francisco, CA (US); **Nicholas Ryan Fischer**, San Francisco, CA (US)

(56) **References Cited**

U.S. PATENT DOCUMENTS

D165,195 S * 11/1951 Schlumbohm D12/86
D369,022 S * 4/1996 Sun D21/495
D401,407 S * 11/1998 Bro D3/271.12
D608,158 S * 1/2010 Beal D7/605

(Continued)

Primary Examiner — Khawaja Anwar

(74) *Attorney, Agent, or Firm* — Kilpatrick Townsend & Stockton LLP

(73) Assignee: **Postmates Inc.**, San Francisco, CA (US)

(**) Term: **15 Years**

(21) Appl. No.: **29/671,785**

(22) Filed: **Nov. 29, 2018**

(51) **LOC (12) Cl.** **15-99**

(52) **U.S. Cl.**
USPC **D15/199**

(58) **Field of Classification Search**
USPC D15/199; D12/128–133
CPC . B24B 37/34; B60R 2021/0027; B60R 21/00;
G05B 19/042; G05B 19/402; G05B 19/418; G05B 19/41835; G05B 19/42;

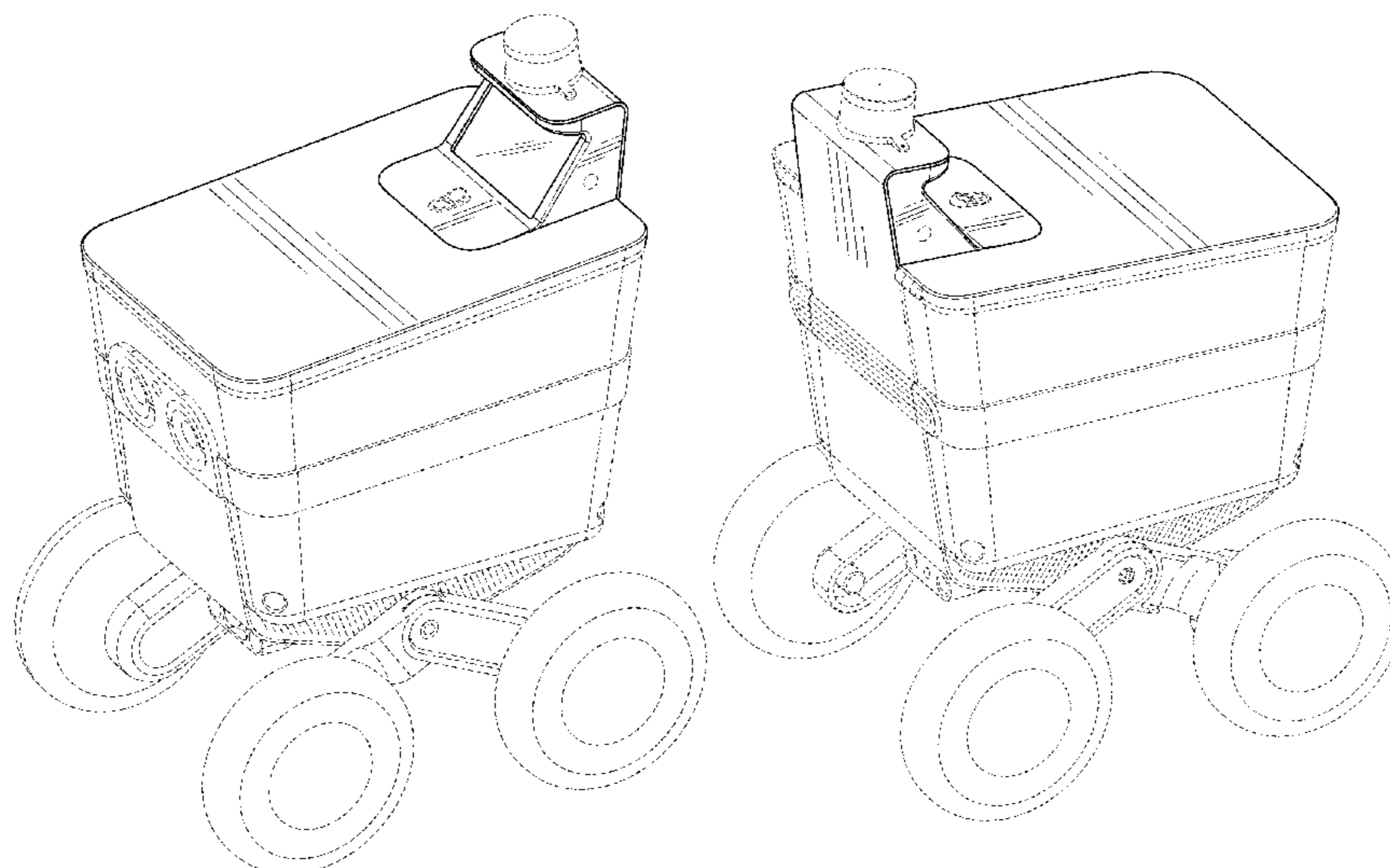
(57) **CLAIM**

The ornamental design for a combined lid and display screen portion for a delivery robot, as shown and described.

DESCRIPTION

FIG. 1 is a front perspective view of a combined lid and display screen portion for a delivery robot, shown with the lid in a closed position, showing our new design; FIG. 2 is a front perspective view thereof with the lid in an open position; FIG. 3 is a front view thereof; FIG. 4 is a rear view thereof; FIG. 5 is a left side view thereof; FIG. 6 is a right side view thereof; FIG. 7 is a top view thereof; and, FIG. 8 is a front perspective view of a combined lid and display screen portion for a delivery robot, shown with the lid in an open position, showing our new design. The broken lines shown in the drawings are for illustrative purposes only and depict portions that are not a part of the claimed design.

1 Claim, 8 Drawing Sheets



(56)

References Cited

U.S. PATENT DOCUMENTS

D646,528 S * 10/2011 Stallman D7/605
D668,581 S * 10/2012 Kim D12/86
D682,362 S * 5/2013 Mozeika D21/533
D691,675 S * 10/2013 Kim D21/533
D745,144 S * 12/2015 Aylmer D24/128
D818,397 S * 5/2018 Makela D12/86
D821,265 S * 6/2018 Makela D12/86
D822,124 S * 7/2018 Bei D21/533
D824,976 S * 8/2018 Makela D15/199
D841,711 S * 2/2019 Liu D15/199
D856,849 S * 8/2019 Makela D12/86
D864,271 S * 10/2019 Lai D15/199
D868,863 S * 12/2019 Makela D15/199
D868,864 S * 12/2019 Lachenmeier D15/199
2018/0194411 A1 * 7/2018 Liivik B60G 5/00

* cited by examiner

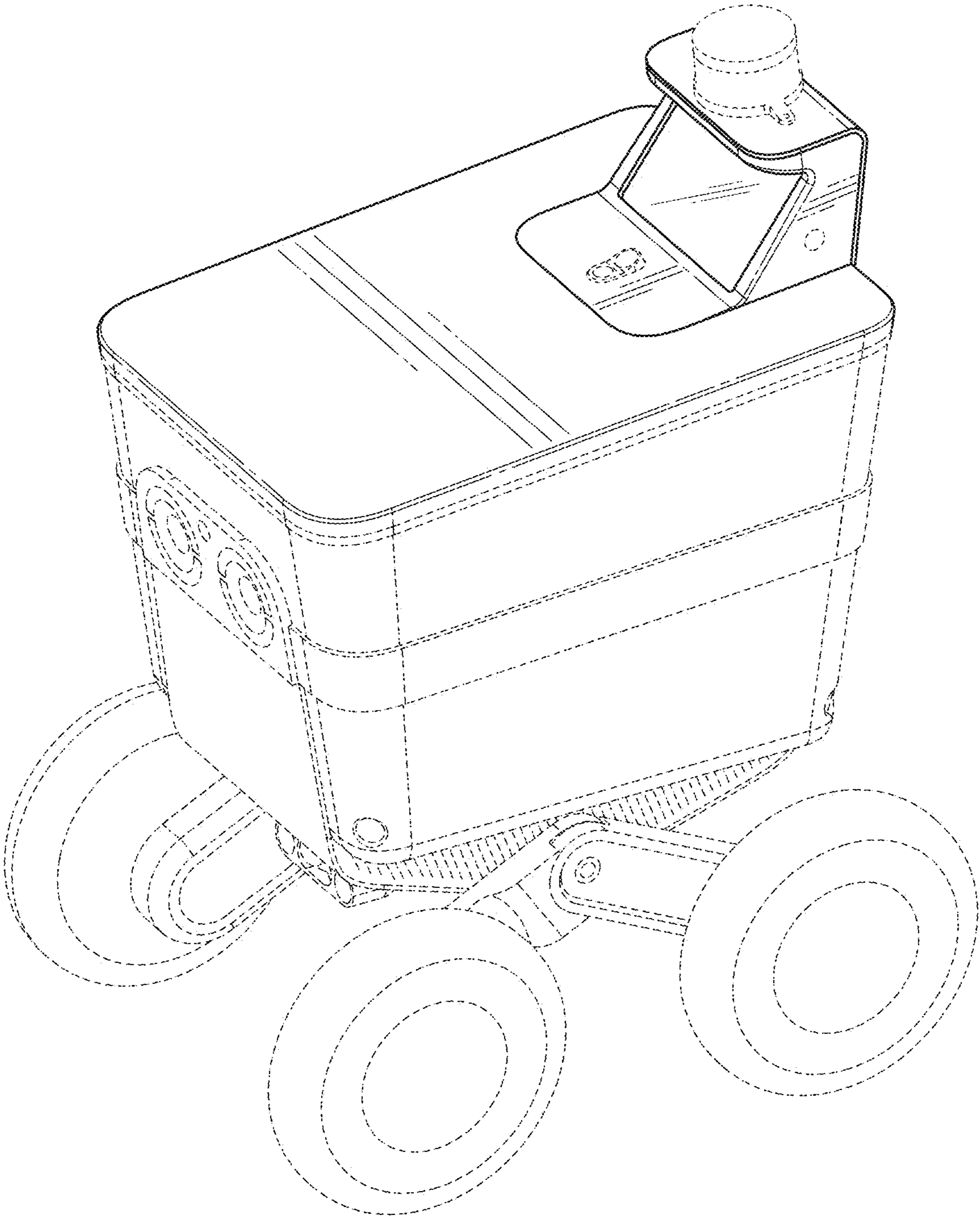


FIG. 1

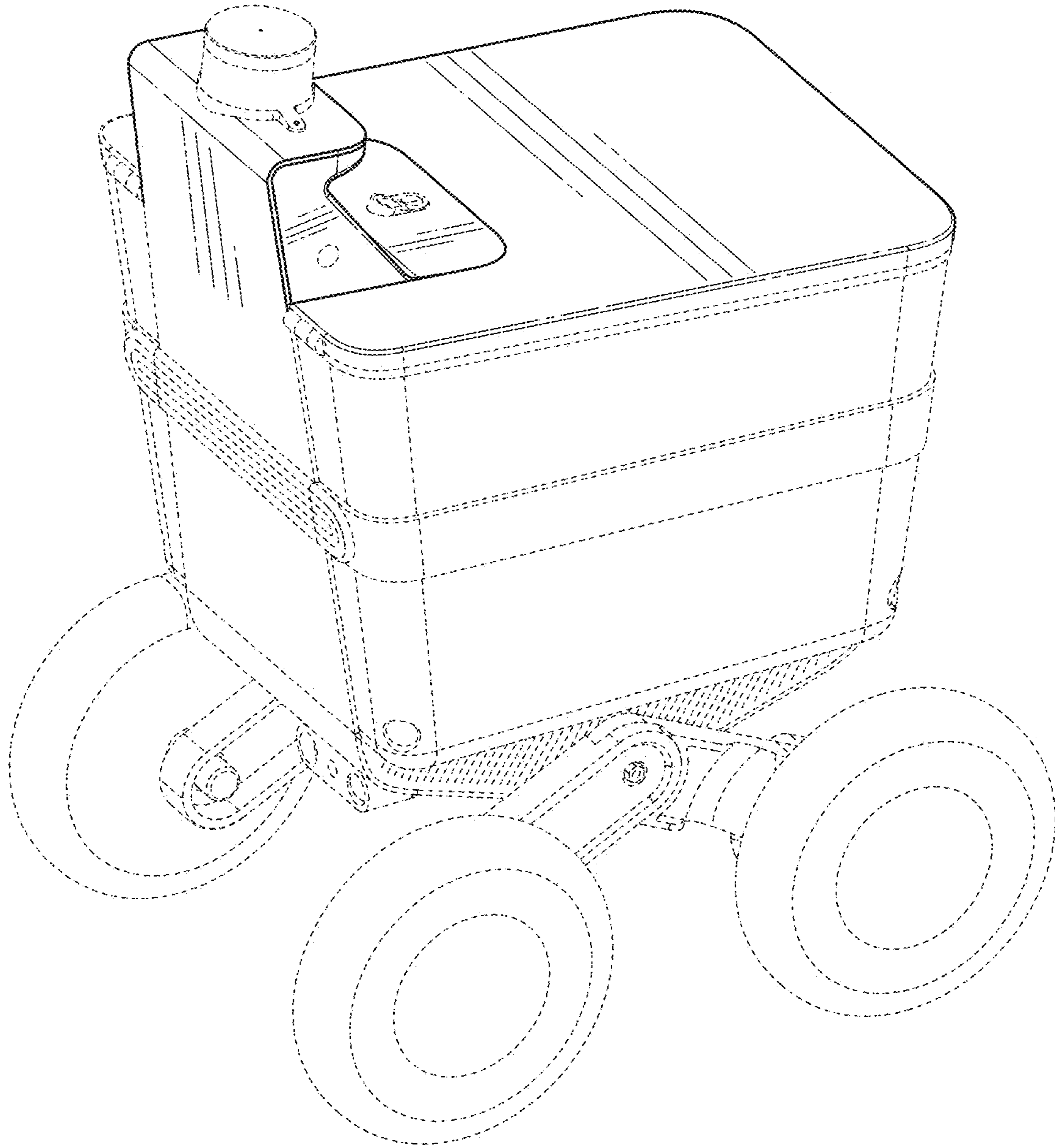


FIG. 2

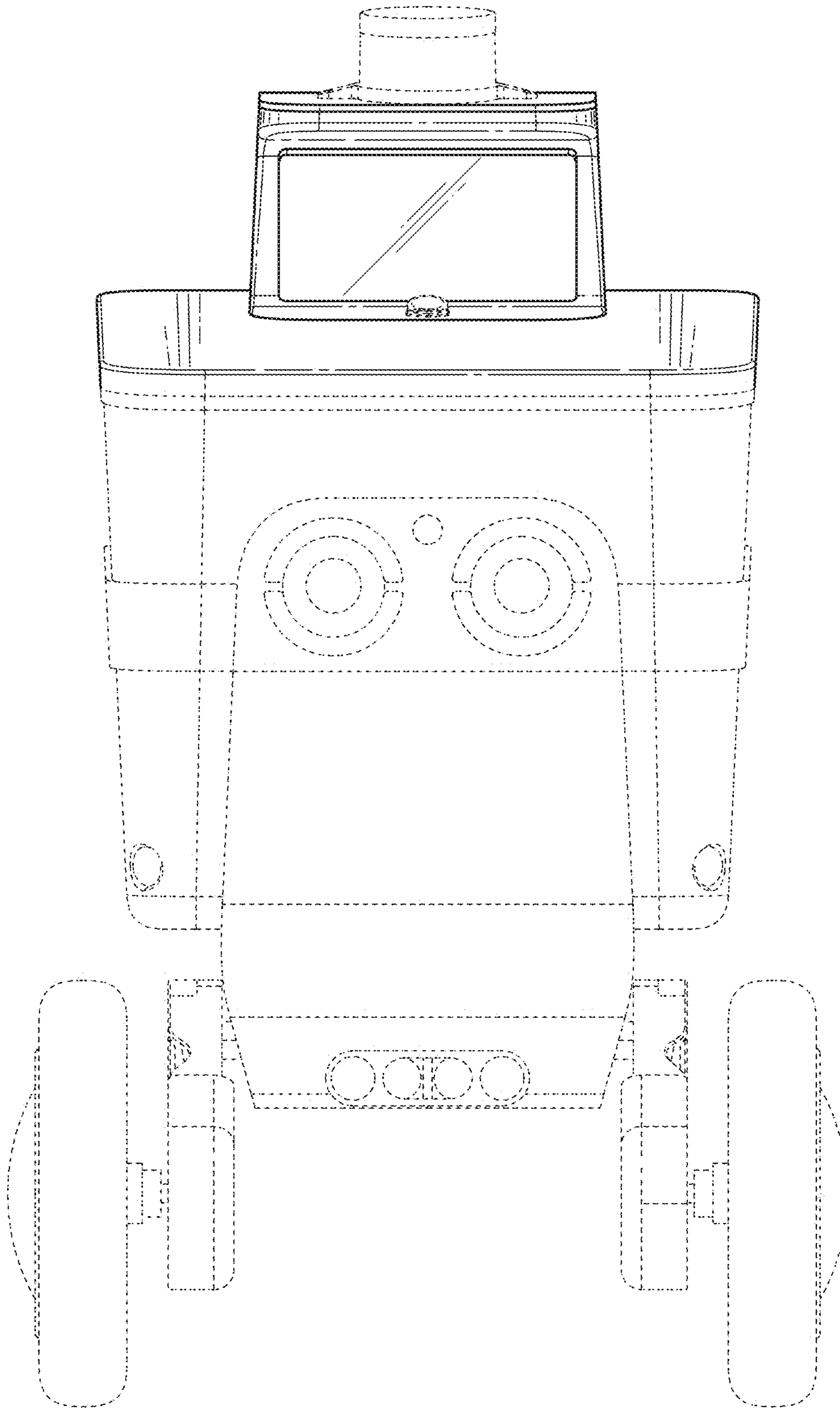


FIG. 3

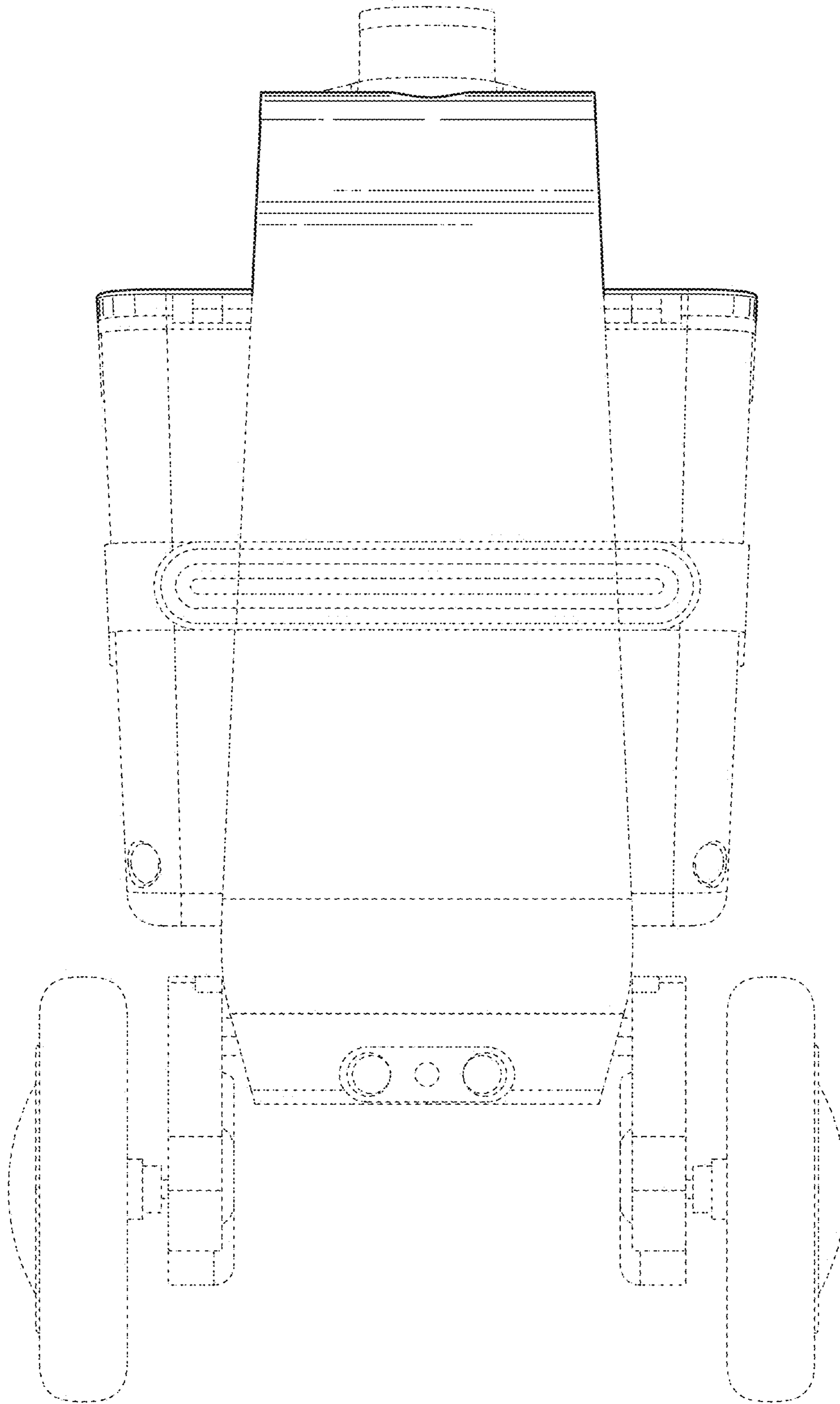


FIG. 4

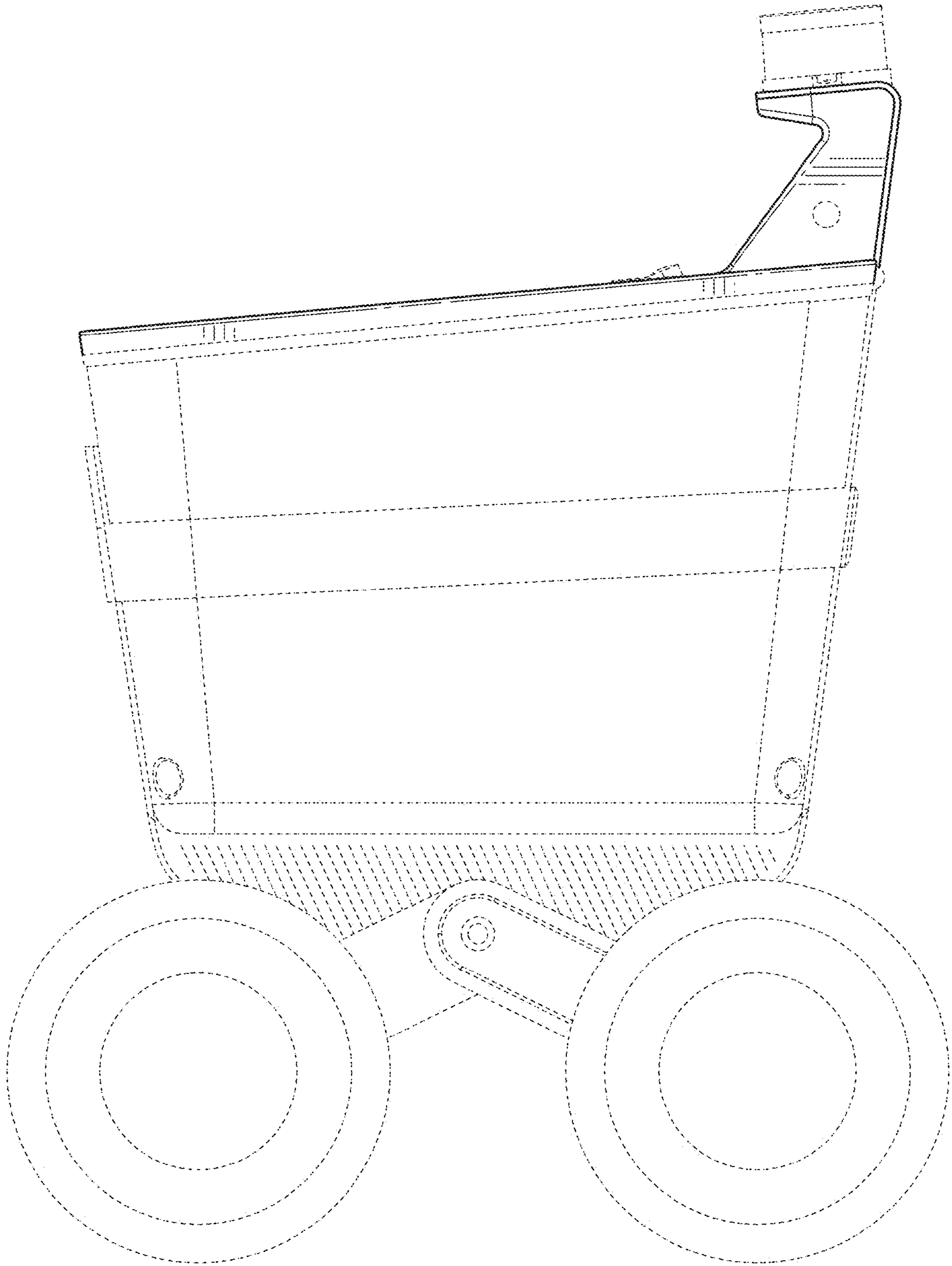


FIG. 5

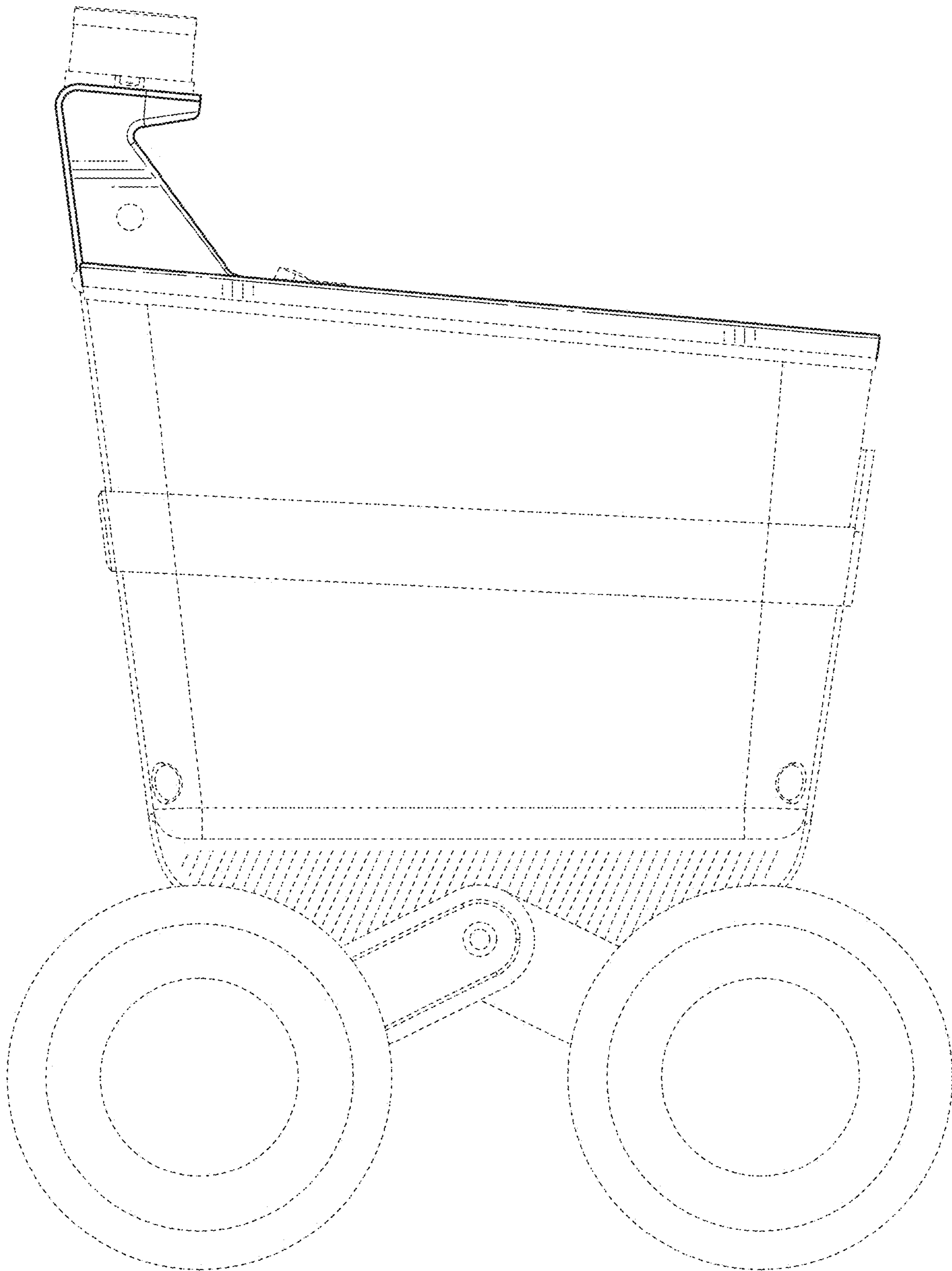


FIG. 6

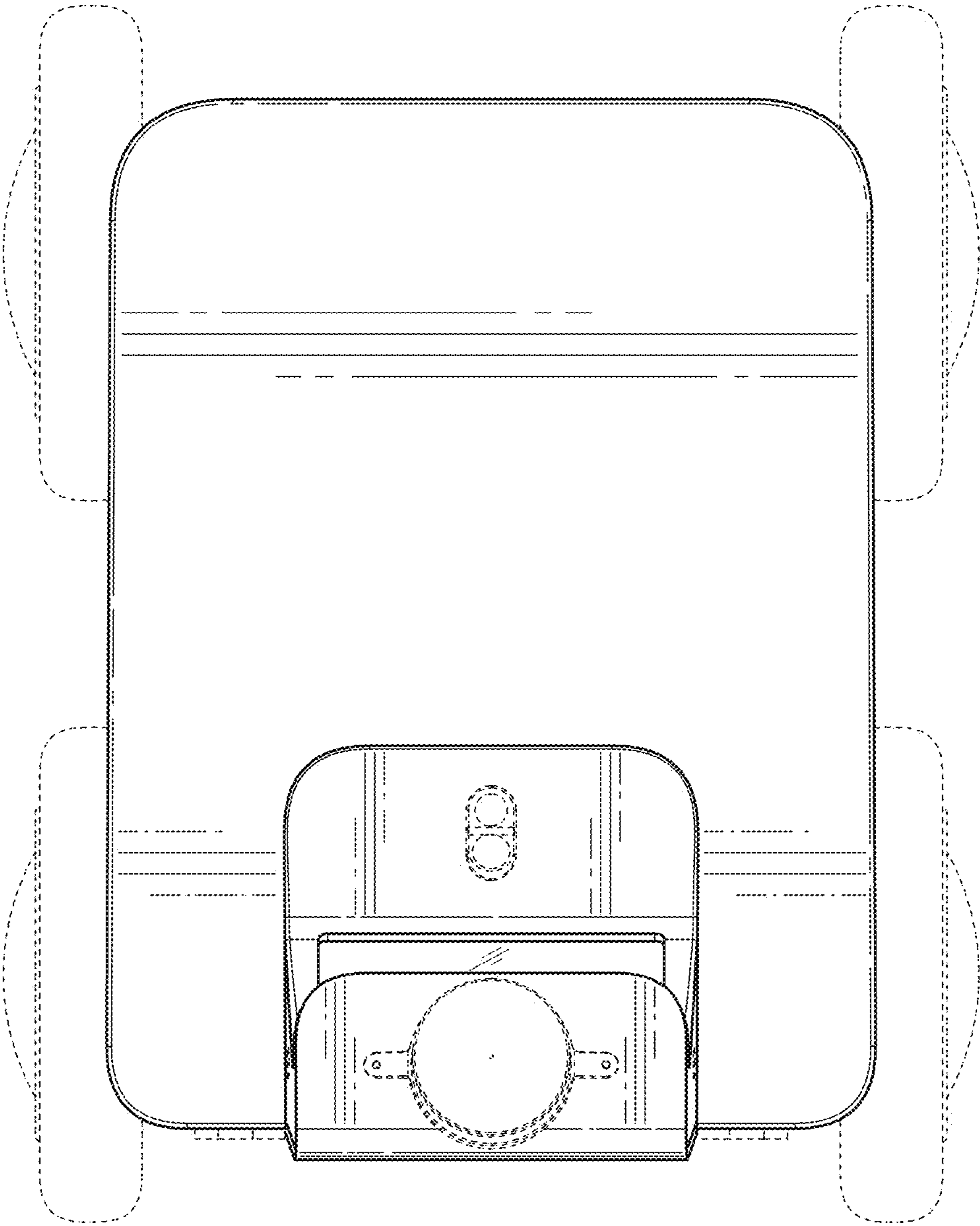


FIG. 7

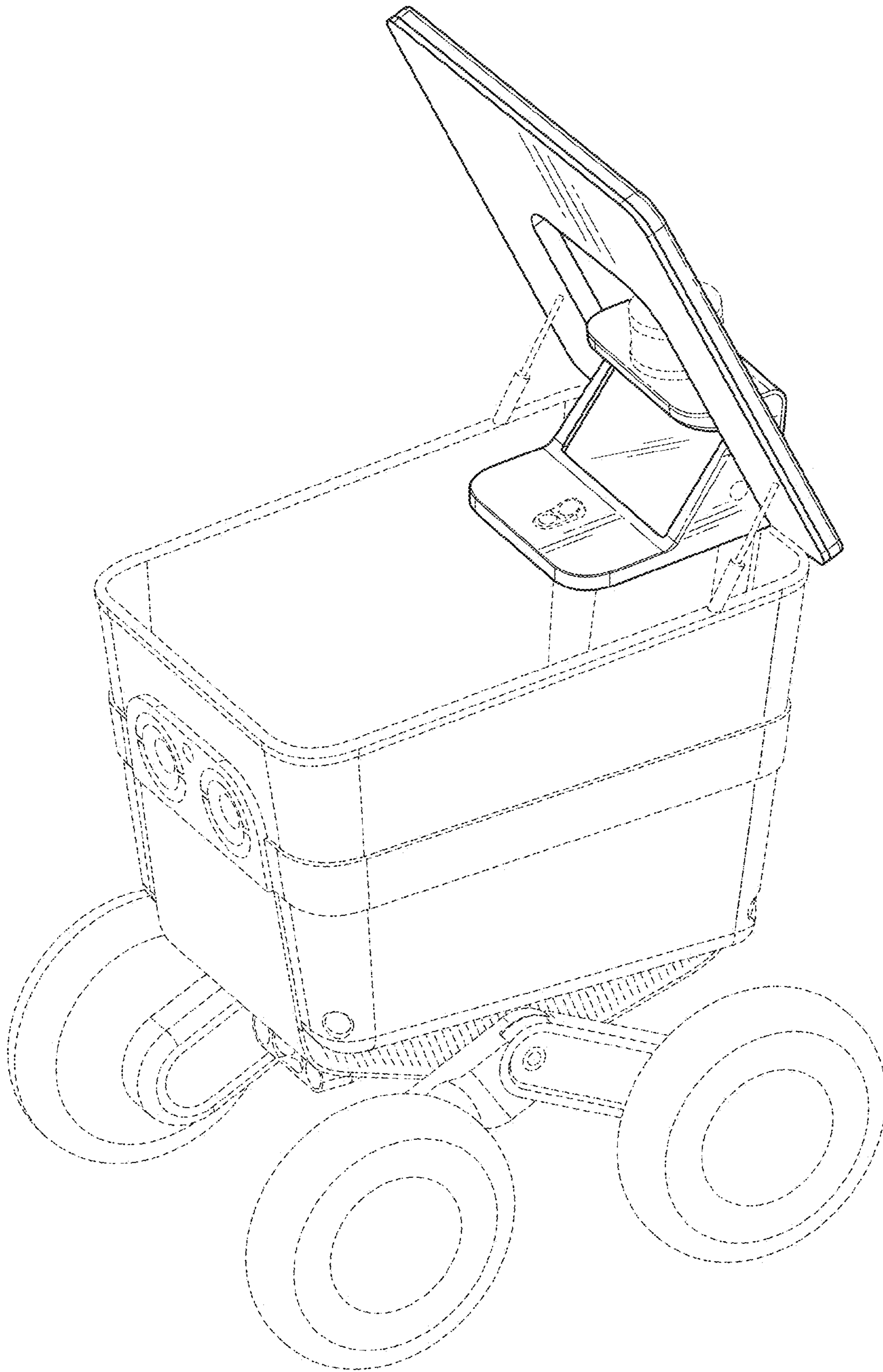


FIG. 8