



US00D882655S

(12) **United States Design Patent** (10) **Patent No.:** **US D882,655 S**
Kouthoofd et al. (45) **Date of Patent:** **** Apr. 28, 2020**

(54) **ROBOT**
 (71) Applicant: **Teenage Engineering AB**, Johanneshov (SE)
 (72) Inventors: **Jesper Kouthoofd**, Stockholm (SE); **Cheng Lyu**, Johanneshov (SE); **Gustav Funck**, Johanneshov (SE)
 (73) Assignee: **TEENAGE ENGINEERING AB**, Johanneshov (SE)
 (**) Term: **15 Years**
 (21) Appl. No.: **29/646,945**
 (22) Filed: **May 8, 2018**

(30) **Foreign Application Priority Data**
 Nov. 9, 2017 (EM) 004500882
 (51) **LOC (12) Cl.** **15-99**
 (52) **U.S. Cl.**
 USPC **D15/199**
 (58) **Field of Classification Search**
 USPC D15/199; D21/578-583, 621, 622; D32/21
 CPC B25J 9/044; B25J 9/102; G06F 3/0485; Y10T 74/20305
 See application file for complete search history.

(56) **References Cited**
 U.S. PATENT DOCUMENTS
 4,273,506 A * 6/1981 Thomson B25J 9/046 294/106
 D293,449 S * 12/1987 Kaufmann D15/122
 D308,213 S * 5/1990 Jones D15/199
 5,413,454 A * 5/1995 Movsesian B25J 5/007 294/100

D452,517 S * 12/2001 Kawaguchi D15/199
 D711,061 S * 8/2014 Chen D34/29
 D782,553 S * 3/2017 Goto D15/199
 D792,917 S * 7/2017 Fischer D15/199
 9,854,203 B2 * 12/2017 Benetti B25J 9/1676
 D819,103 S * 5/2018 Kapuria D15/199
 D819,711 S * 6/2018 Li D15/199
 D822,736 S * 7/2018 Kato D15/199
 D822,739 S * 7/2018 Kato D15/199
 D829,250 S * 9/2018 Zilbershtein D15/199
 2007/0080000 A1 * 4/2007 Tobey A61G 5/045 180/21
 2013/0104676 A1 * 5/2013 Yang B25J 9/06 73/865.8
 2015/0285721 A1 * 10/2015 Watanabe G01B 21/00 73/788
 2016/0229058 A1 * 8/2016 Pinter G06Q 50/22
 2017/0080577 A1 * 3/2017 Motoyoshi B25J 13/088

* cited by examiner

Primary Examiner — Patricia A Palasik
 (74) *Attorney, Agent, or Firm* — RMCK Law Group, PLC

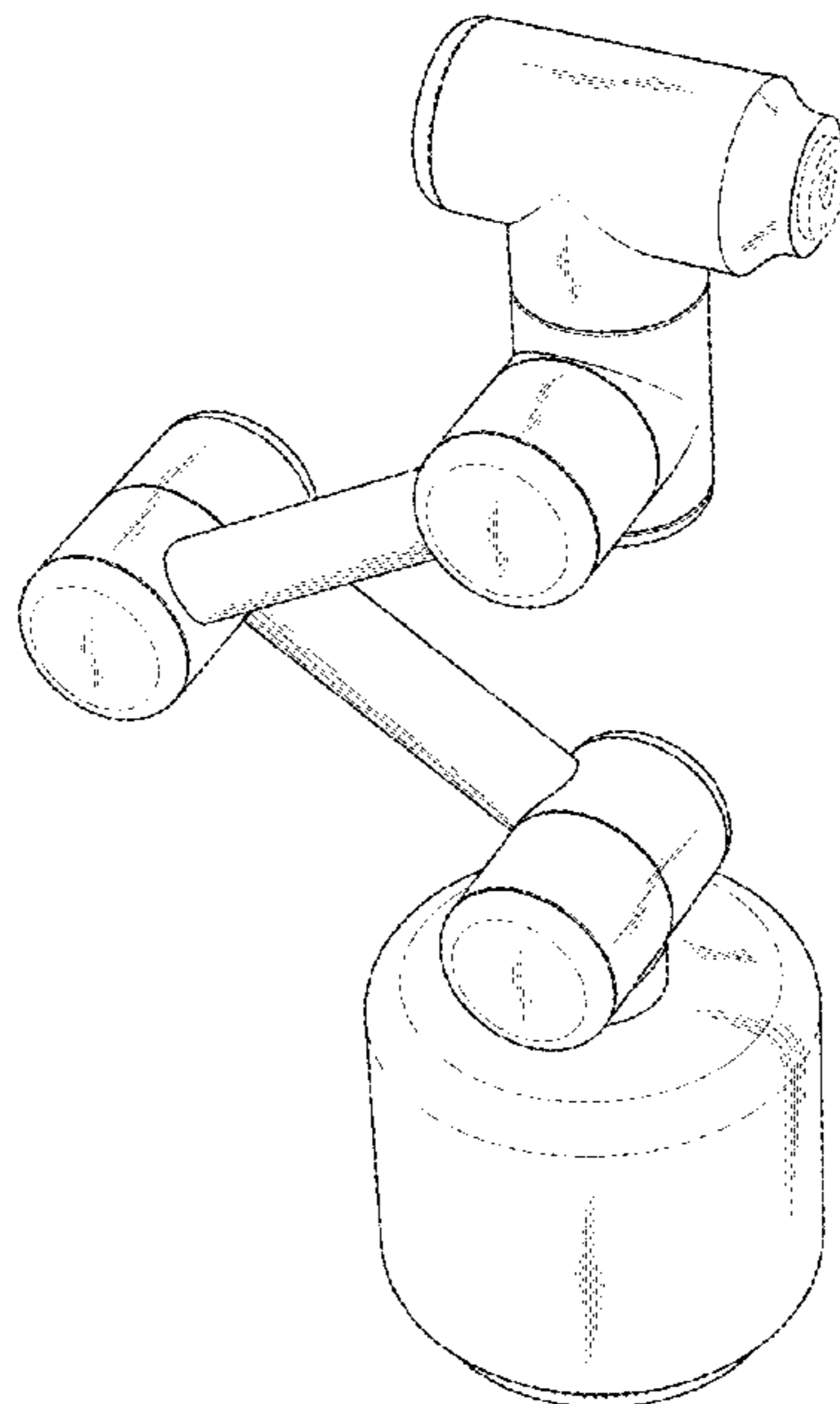
(57) **CLAIM**

The ornamental design for a robot, as shown and described.

DESCRIPTION

FIG. 1 is a perspective view of a robot showing our new design;
 FIG. 2 is a first side view of the robot of FIG. 1;
 FIG. 3 is a second side view of the robot of FIG. 1;
 FIG. 4 is a front view of the robot of FIG. 1;
 FIG. 5 is a rear view of the robot of FIG. 1;
 FIG. 6 is a bottom view of the robot of FIG. 1; and,
 FIG. 7 is a top view of the robot of FIG. 1.
 The broken line showing of the robot is included for the purpose of illustrating portions of the robot and forms no part of the claimed design.

1 Claim, 7 Drawing Sheets



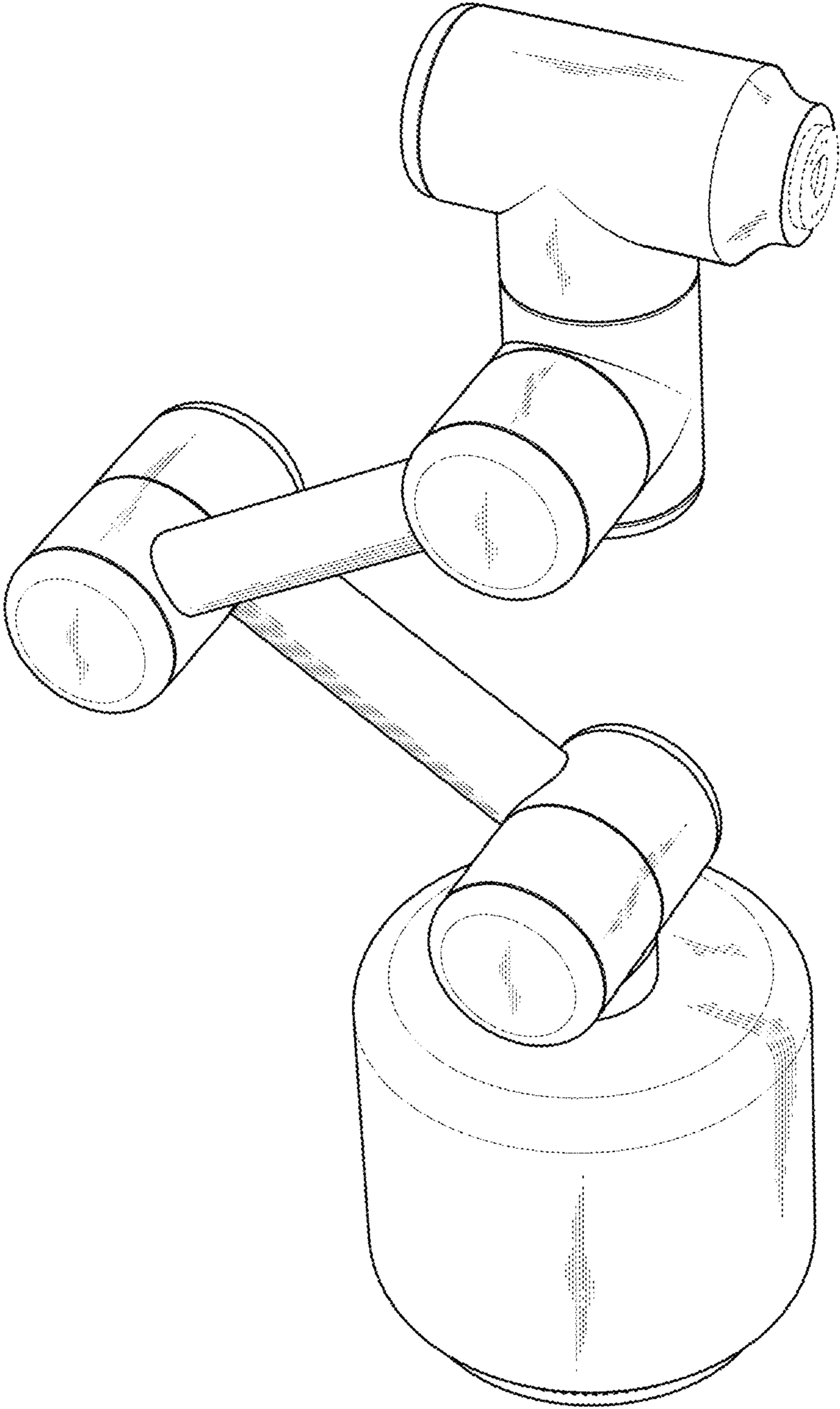


FIG. 1

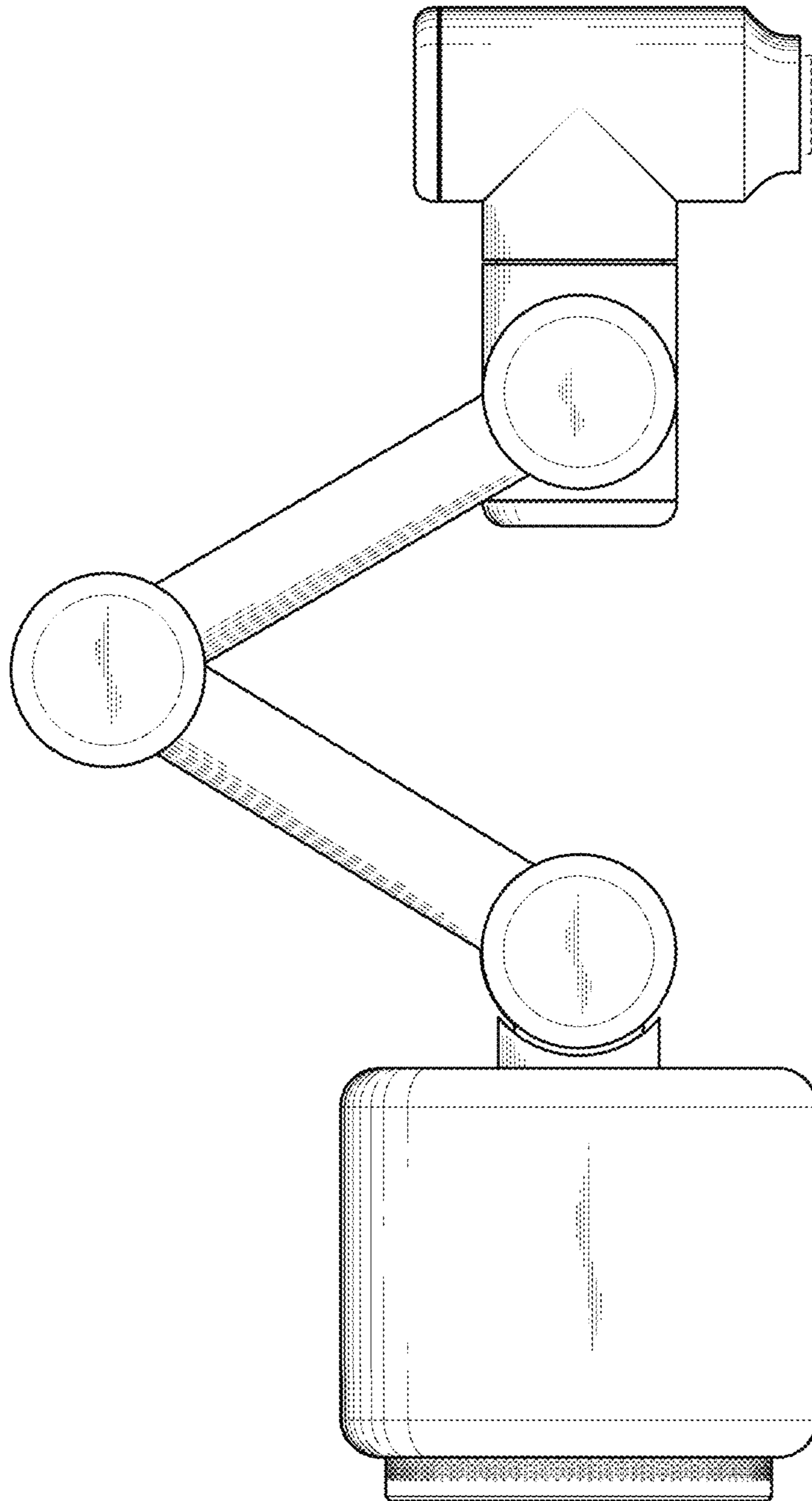


FIG. 2

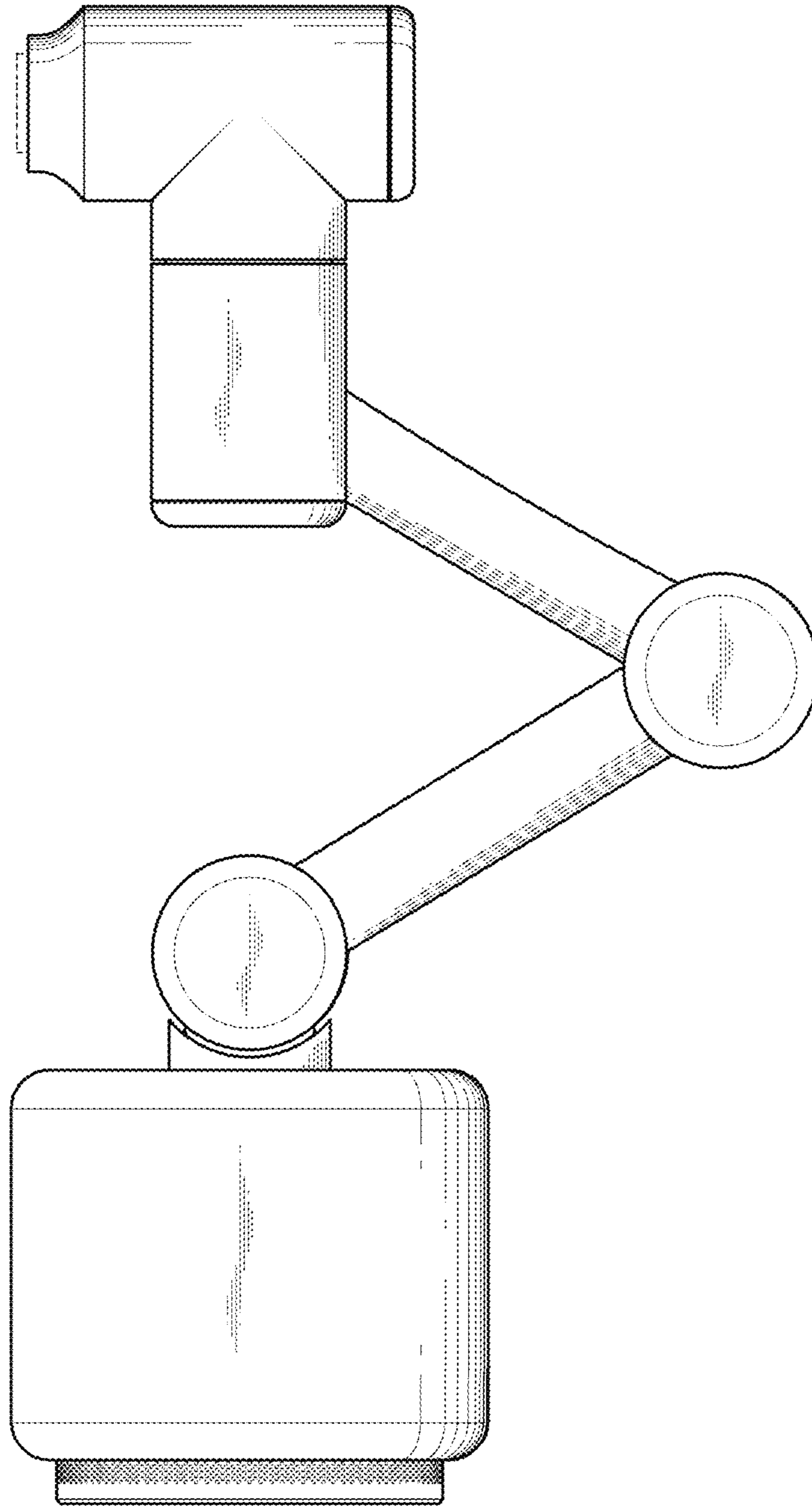


FIG. 3

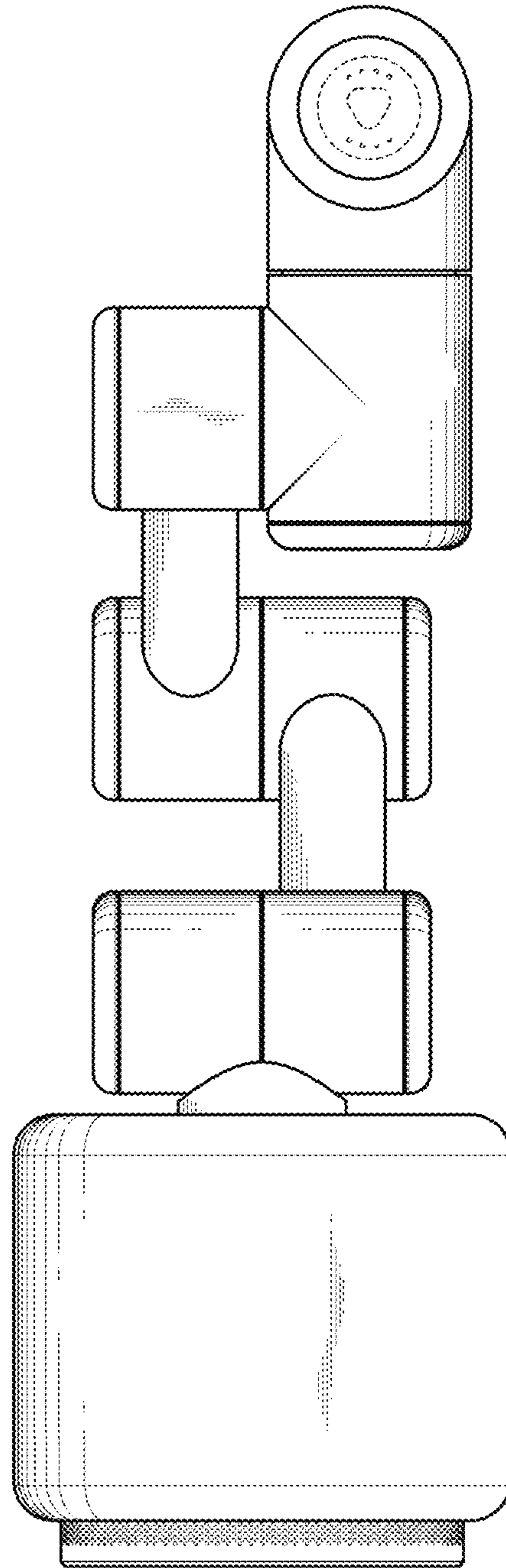


FIG. 4

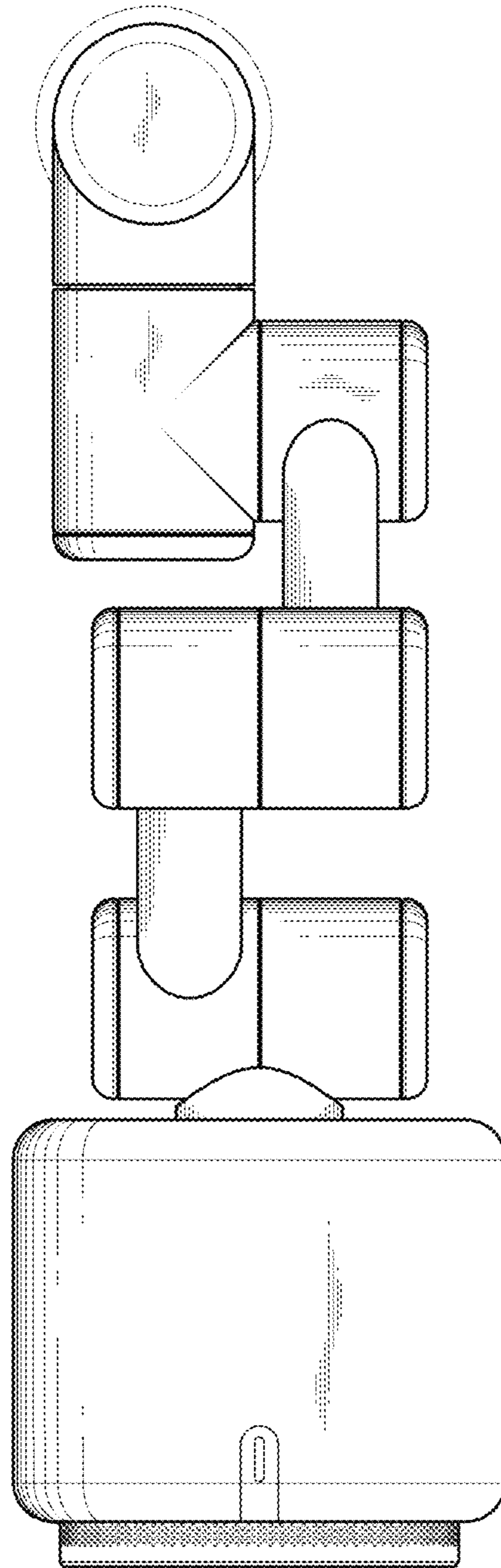


FIG. 5

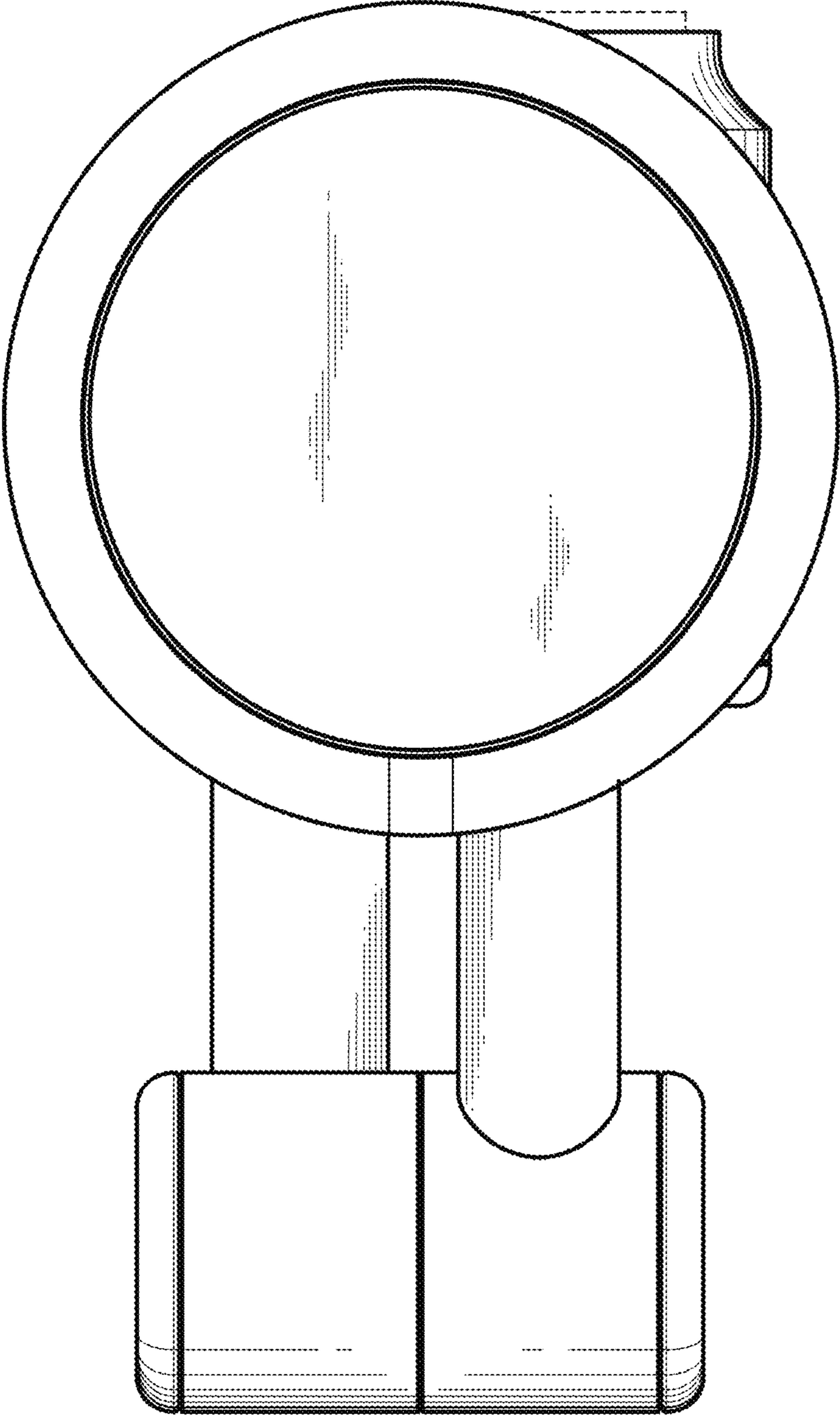


FIG. 6

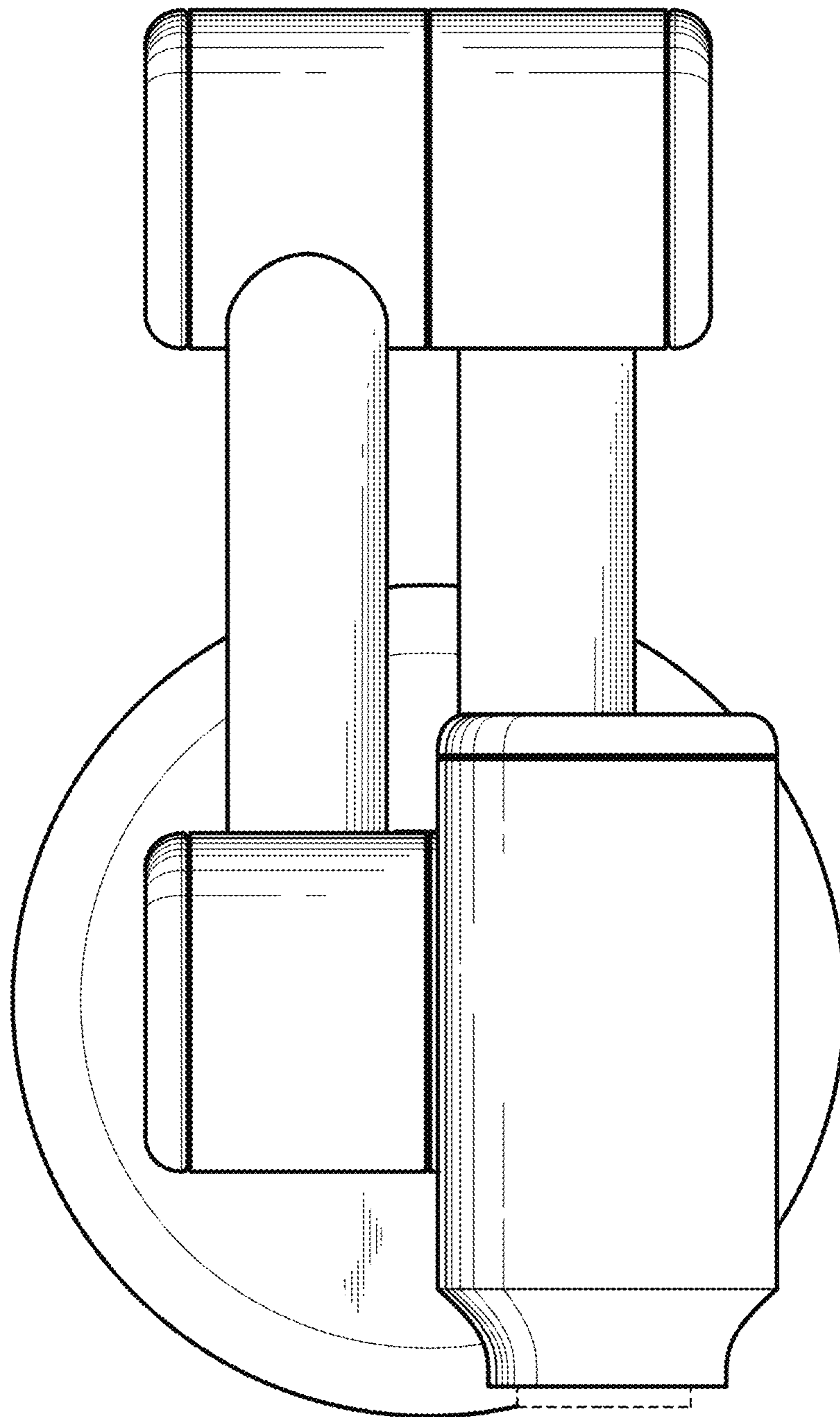


FIG. 7