



US00D882654S

(12) **United States Design Patent**
Tsai

(10) **Patent No.:** **US D882,654 S**

(45) **Date of Patent:** **** Apr. 28, 2020**

(54) **GAS COMBUSTOR**

(71) Applicant: **Chin-Lin Tsai**, New Taipei (TW)

(72) Inventor: **Chin-Lin Tsai**, New Taipei (TW)

(**) Term: **15 Years**

(21) Appl. No.: **29/666,638**

(22) Filed: **Oct. 15, 2018**

(30) **Foreign Application Priority Data**

May 2, 2018 (TW) 107302452

(51) **LOC (12) Cl.** **15-09**

(52) **U.S. Cl.**
USPC **D15/144**

(58) **Field of Classification Search**
USPC D7/416; D8/29, 29.1, 29.2, 30, 68, 107;
D15/144, 144.1, 144.2; D27/139, 154,
D27/157
CPC B23K 9/0956; B23K 9/10; B23K 9/173;
B23K 9/285; B23K 9/295; B23K 9/32
See application file for complete search history.

(56) **References Cited**

U.S. PATENT DOCUMENTS

- D444,912 S * 7/2001 Xie D27/157
- D456,428 S * 4/2002 Aronson, II D15/144
- D456,828 S * 5/2002 Aronson, II D15/144
- D465,978 S * 11/2002 Miyanaga D8/30
- D468,482 S * 1/2003 Lin D27/157
- D472,764 S * 4/2003 Hsu D7/416
- D477,507 S * 7/2003 Lin D8/30
- D477,747 S * 7/2003 Hsu D7/416

- D481,598 S * 11/2003 Lin D8/29.1
- D489,235 S * 5/2004 Hewett D8/30
- D514,606 S * 2/2006 Picaza D15/144.2
- D515,356 S * 2/2006 Chen D27/154
- D587,975 S * 3/2009 Aronson, II D15/144
- D667,993 S * 9/2012 Lin D27/139
- D667,994 S * 9/2012 Lin D27/139
- D813,627 S * 3/2018 Tsai D8/30
- D820,057 S * 6/2018 Tsai D8/30
- D847,232 S * 4/2019 Zahriya D15/144

* cited by examiner

Primary Examiner — Michael C Stout

Assistant Examiner — Fritzgerald L Butac

(74) *Attorney, Agent, or Firm* — Guice Patents PLLC

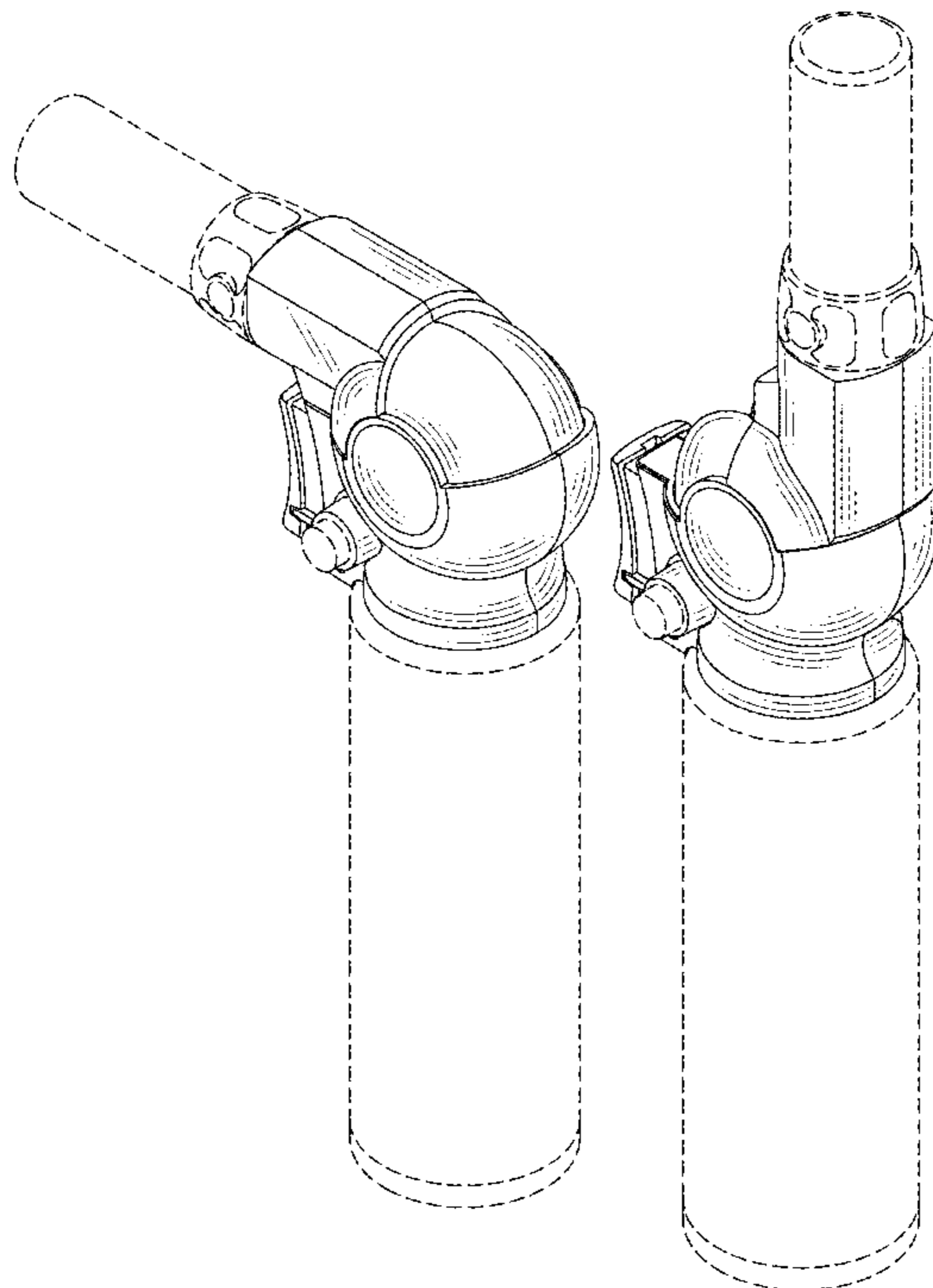
(57) **CLAIM**

The ornamental design for a gas combustor, as shown and described.

DESCRIPTION

FIG. 1 is a perspective view of a gas combustor showing the design;
 FIG. 2 is a front side elevation view thereof;
 FIG. 3 is a rear side elevation view thereof;
 FIG. 4 is a left side elevation view thereof;
 FIG. 5 is a right side elevation view thereof;
 FIG. 6 is a top plan view thereof;
 FIG. 7 is a bottom plan view thereof;
 FIG. 8 is a perspective view illustrating a rotated position thereof; and,
 FIG. 9 is a perspective view illustrating another rotated position thereof.
 The broken lines show portions of a gas combustor that form no part of the claimed design.

1 Claim, 7 Drawing Sheets



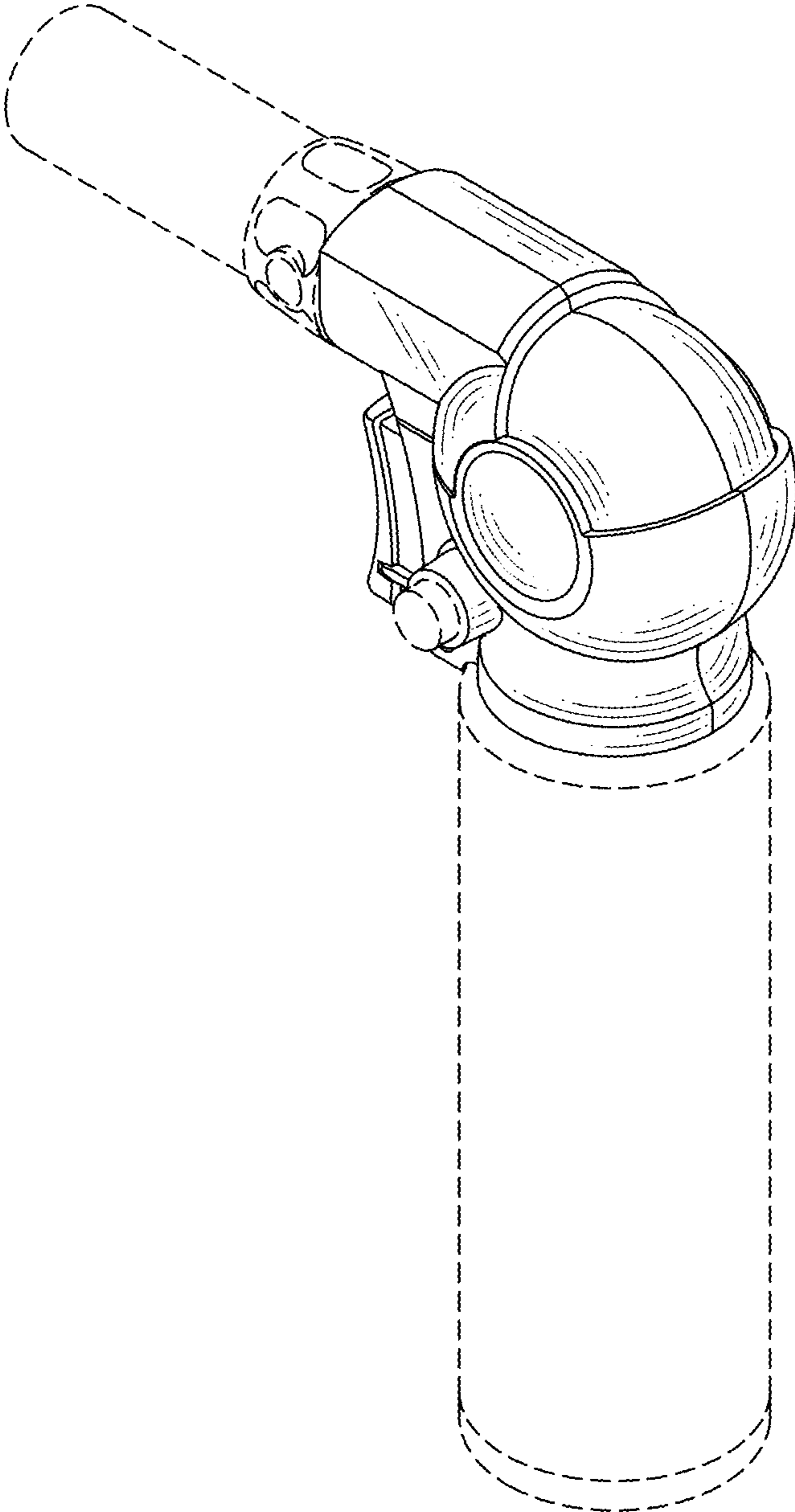


FIG. 1

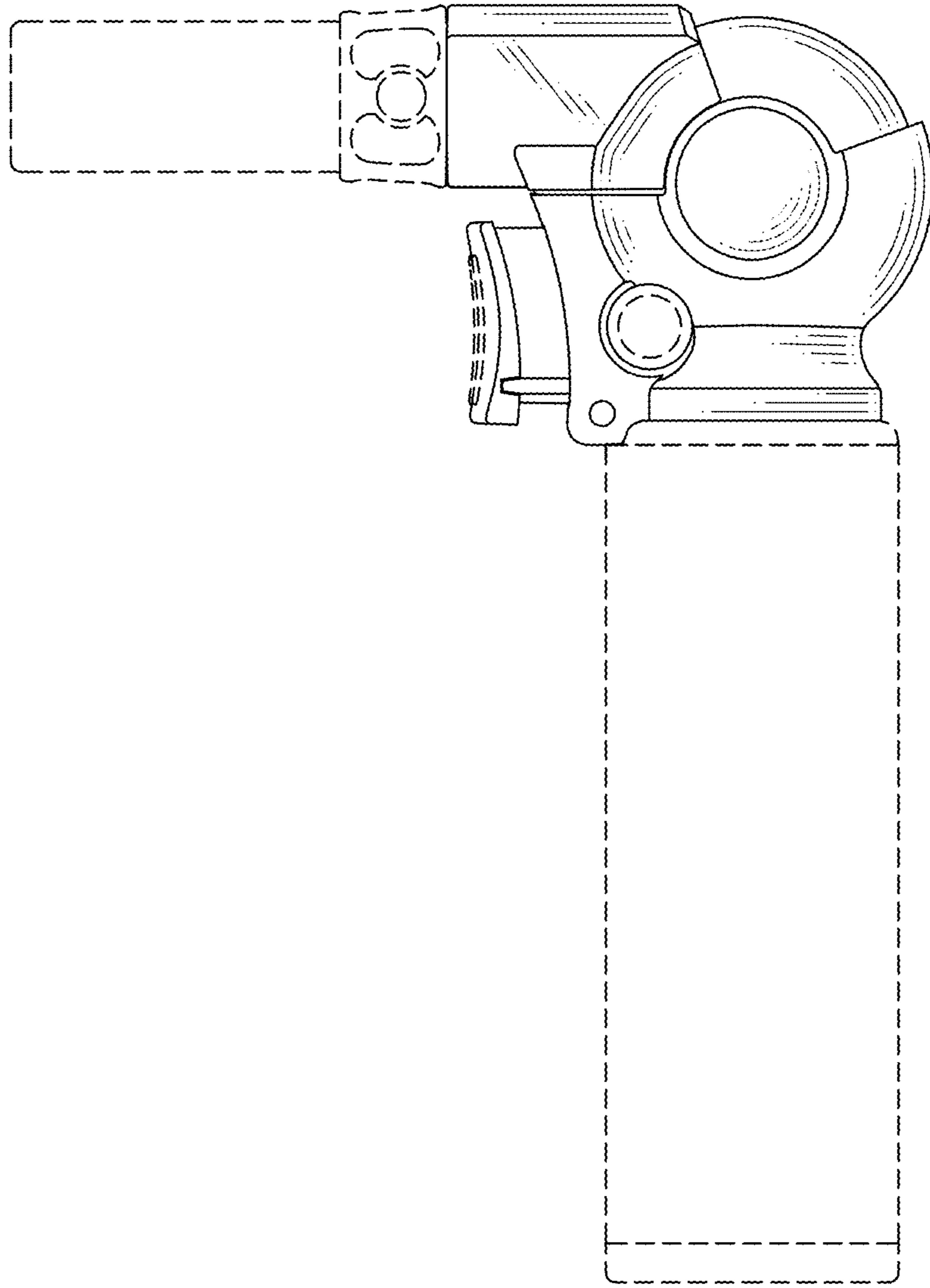


FIG. 2

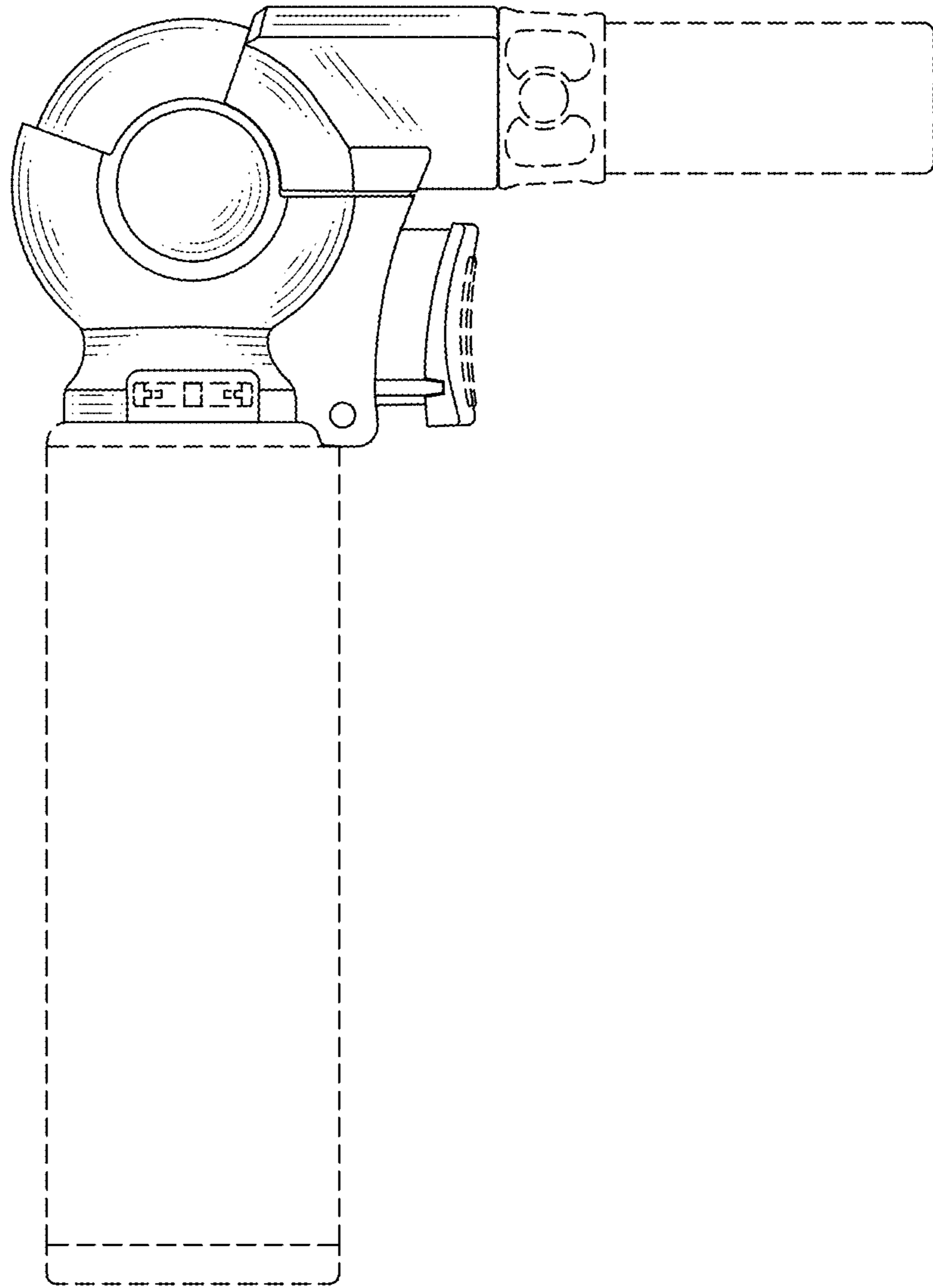


FIG. 3

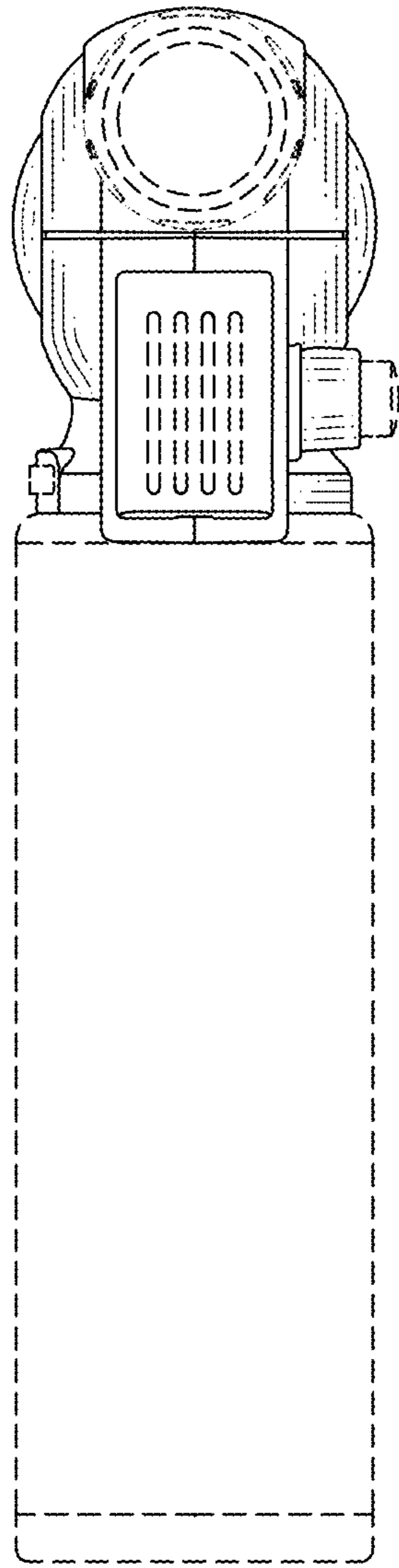


FIG. 4

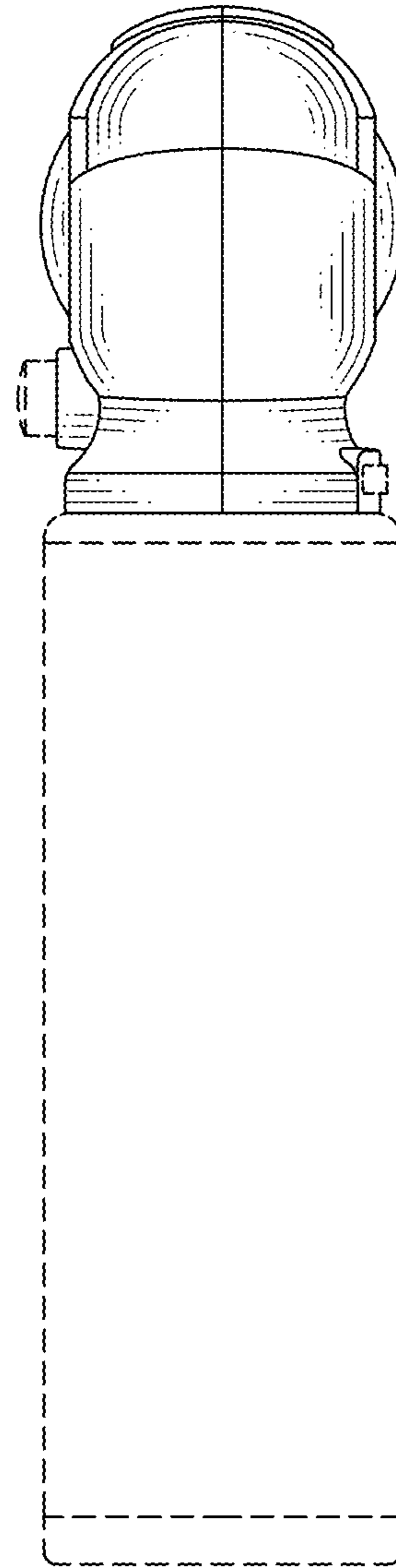


FIG. 5

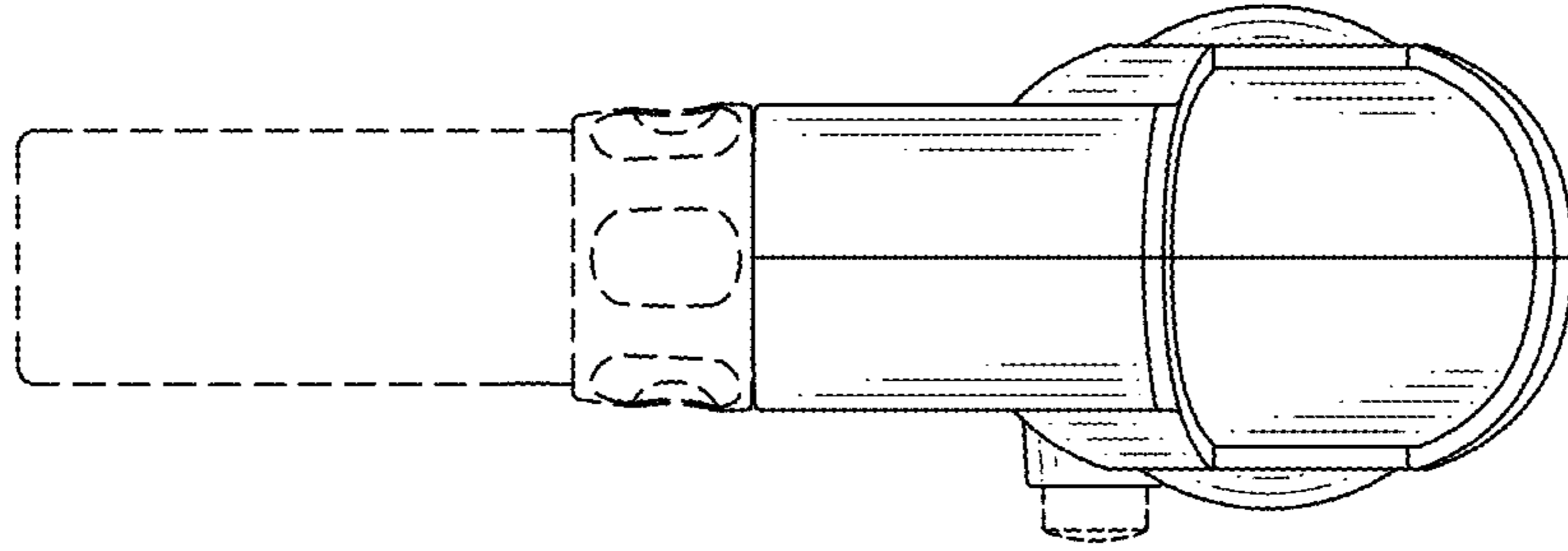


FIG. 6

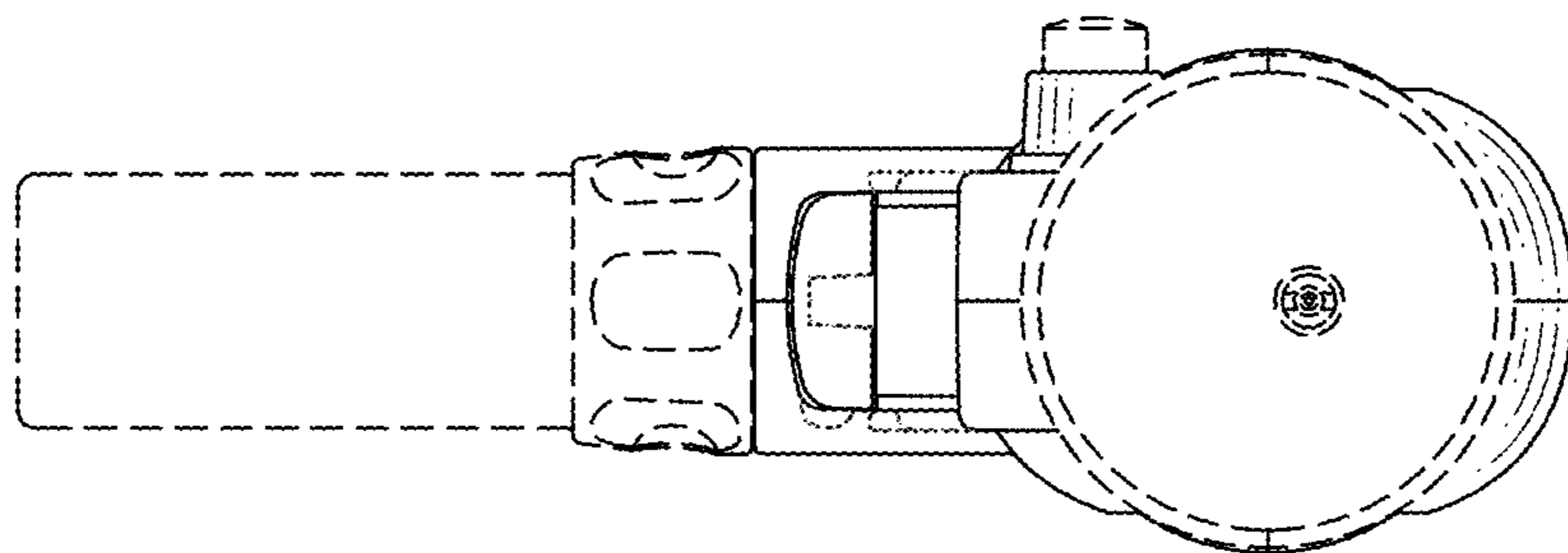


FIG. 7

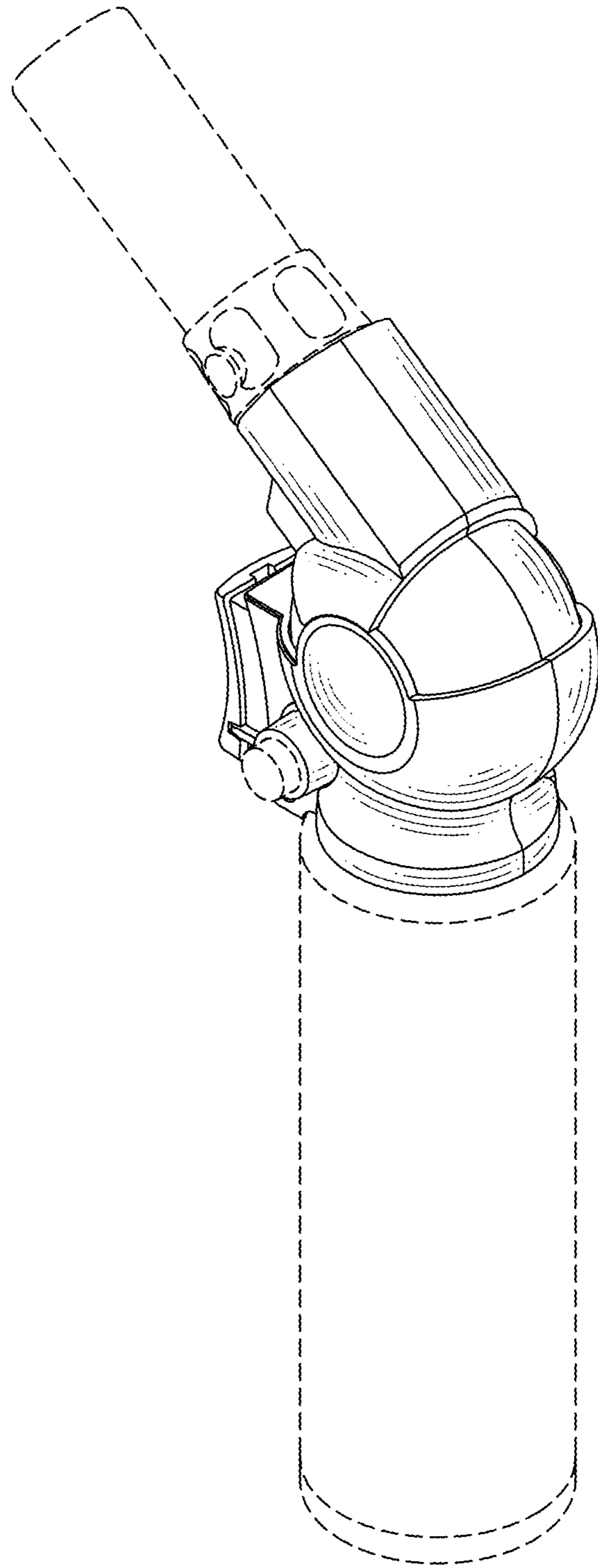


FIG. 8

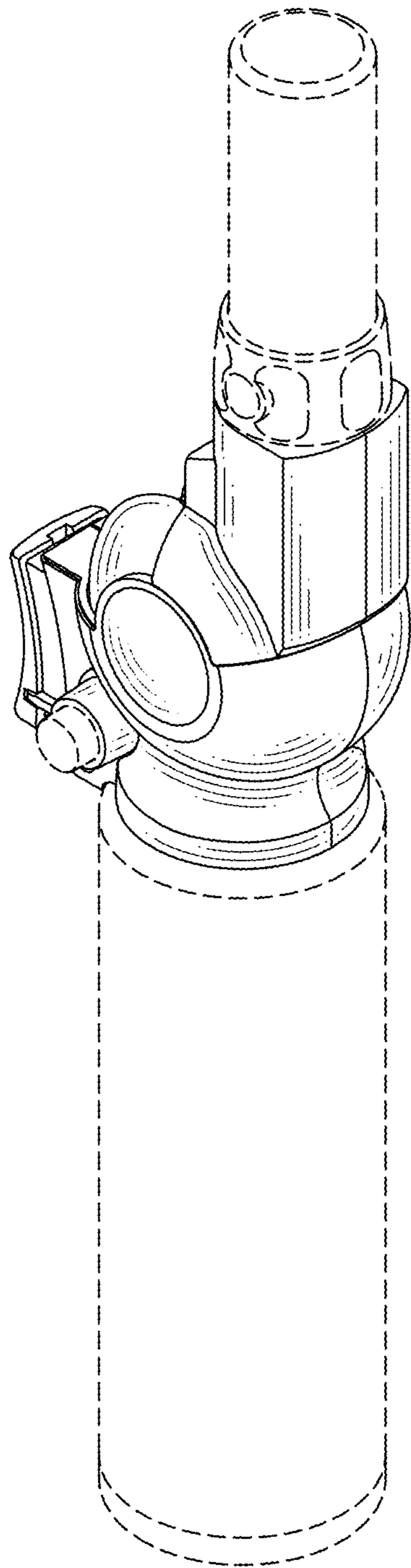


FIG. 9