



US00D882653S

(12) **United States Design Patent**
Abe et al.

(10) **Patent No.:** **US D882,653 S**
(45) **Date of Patent:** **** Apr. 28, 2020**

(54) **DRILLING TOOL**

(71) Applicant: **SUMITOMO ELECTRIC
HARDMETAL CORP.**, Itami-shi (JP)

(72) Inventors: **Machiko Abe**, Itami (JP); **Hiroyuki Shimada**, Itami (JP); **Kazuya Yano**, Itami (JP)

(73) Assignee: **Sumitomo Electric Hardmetal Corp.**, Itami-shi (JP)

(**) Term: **15 Years**

(21) Appl. No.: **29/550,577**

(22) Filed: **Jan. 5, 2016**

(30) **Foreign Application Priority Data**

Jul. 6, 2015 (JP) 2015-015001
Jul. 6, 2015 (JP) 2015-015002
(Continued)

(51) **LOC (12) Cl.** **15-09**

(52) **U.S. Cl.**
USPC **D15/139**

(58) **Field of Classification Search**
USPC 8/86; D15/131, 132, 138, 139, 140
(Continued)

(56) **References Cited**

U.S. PATENT DOCUMENTS

3,440,313 A 4/1969 Schmocker
3,758,222 A 9/1973 Oakes
(Continued)

FOREIGN PATENT DOCUMENTS

JP H01-175116 U 12/1989
JP 2002-036017 A 2/2002
(Continued)

OTHER PUBLICATIONS

Notice in Japanese Design Application No. 2015-015001, dated Nov. 16, 2015.

(Continued)

Primary Examiner — Patricia A Palasik
(74) *Attorney, Agent, or Firm* — Baker Botts L.L.P.;
Michael A. Sartori

(57) **CLAIM**

The ornamental design for a drilling tool, as shown and described.

DESCRIPTION

FIG. 1 is a front view of a drilling tool of a first embodiment showing our new design,
FIG. 2 is a rear view thereof;
FIG. 3 is a top view thereof;
FIG. 4 is a bottom view thereof;
FIG. 5 is a right side view thereof;
FIG. 6 is a left side view thereof;
FIG. 7 is a perspective view thereof;
FIG. 8 is an enlarged front view of VIII-VIII portion of FIG. 1,
FIG. 9 is an enlarged top view of VIII-VIII portion of FIG. 1,
FIG. 10 is an enlarged right side view of VIII-VIII portion of FIG. 1,
FIG. 11 is an enlarged first perspective view of VIII-VIII portion of FIG. 1,
FIG. 12 is an enlarged second perspective view of VIII-VIII portion of FIG. 1,
FIG. 13 is a front view of a drilling tool of a second embodiment showing our new design,
FIG. 14 is a rear view thereof;
FIG. 15 is a top view thereof;
FIG. 16 is a bottom view thereof;
FIG. 17 is a right side view thereof;
FIG. 18 is a left side view thereof;
FIG. 19 is a perspective view thereof;
FIG. 20 is an enlarged front view of XX-XX portion of FIG. 13,
FIG. 21 is an enlarged top view of XX-XX portion of FIG. 13,

(Continued)

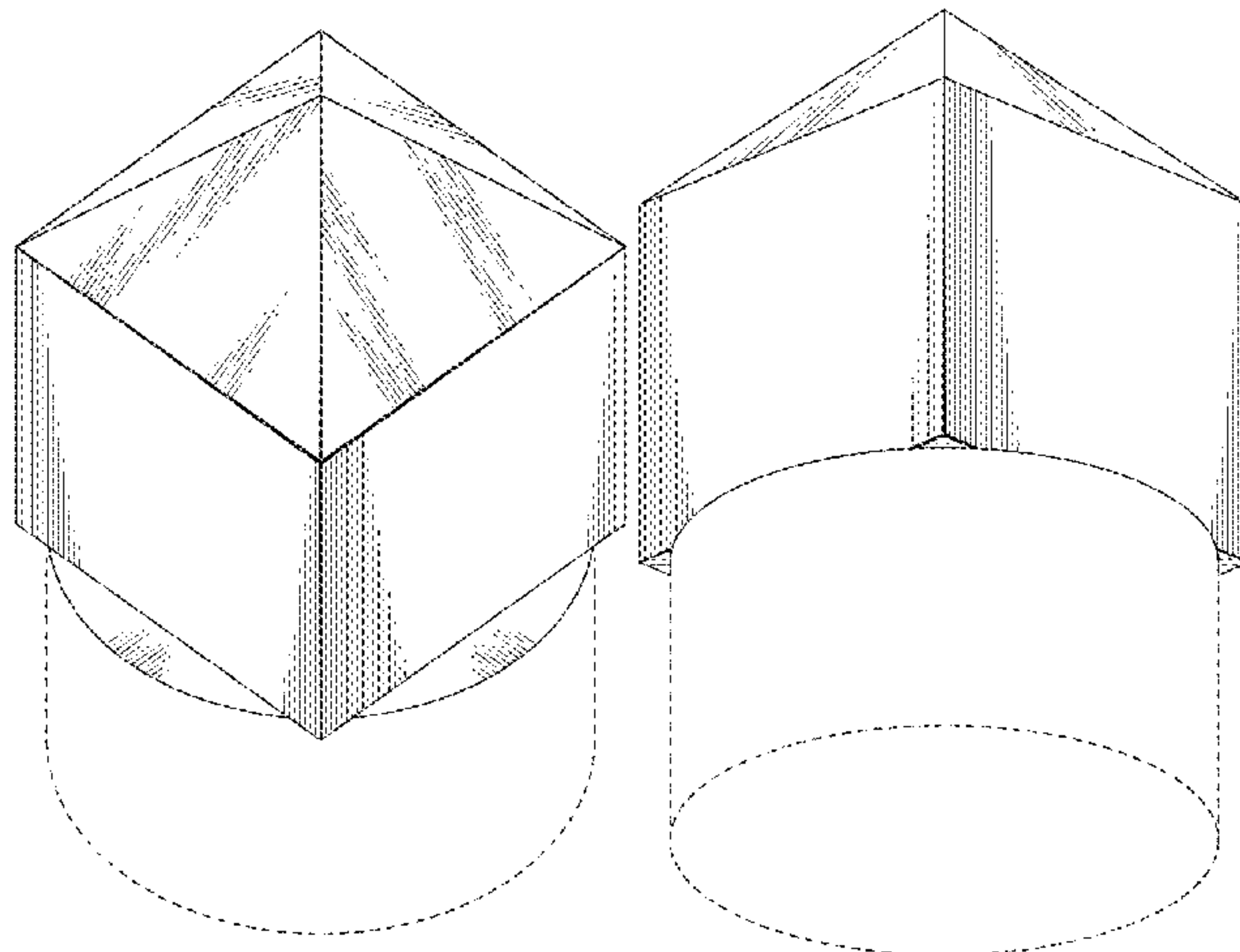


FIG. 22 is an enlarged right side view of XX-XX portion of FIG. 13,
 FIG. 23 is an enlarged first perspective view of XX-XX portion of FIG. 13,
 FIG. 24 is an enlarged second perspective view of XX-XX portion of FIG. 13,
 FIG. 25 is an enlarged front view of XXV-XXV portion of FIG. 20; and,
 FIG. 26 is an enlarged right side view of XXV-XXV portion of FIG. 20.
 The broken lines shown in the drawings represent portions of the drilling tool that form no part of the claimed design.

1 Claim, 18 Drawing Sheets

(30) **Foreign Application Priority Data**

Jul. 6, 2015 (JP) 2015-015004
 Jul. 6, 2015 (JP) 2015-015005

(58) **Field of Classification Search**

CPC ... B23K 31/025; B23K 35/0222; E21B 10/56;
 E21C 35/183; E21C 2035/1806
 See application file for complete search history.

(56) **References Cited**

U.S. PATENT DOCUMENTS

3,813,101 A 5/1974 Benz
 4,127,355 A 11/1978 Oakes
 4,525,910 A 7/1985 Boehmer
 4,821,819 A * 4/1989 Whysong B23K 31/025
 228/122.1
 5,133,154 A 7/1992 Kalleberg
 5,161,859 A * 11/1992 Larsson B28D 1/188
 299/111
 5,172,779 A * 12/1992 Siracki E21B 10/52
 175/420.1
 5,417,475 A * 5/1995 Graham E21B 10/46
 175/427
 5,421,556 A 6/1995 Dodge
 D371,374 S * 7/1996 Fischer D15/139
 5,634,821 A * 6/1997 Crane, Jr. H01R 13/26
 439/660
 5,837,071 A * 11/1998 Andersson E21C 35/183
 148/528
 6,126,521 A 10/2000 Shearer et al.
 6,196,636 B1 * 3/2001 Mills E21C 35/183
 299/104
 6,758,530 B2 * 7/2004 Sollami B28D 1/188
 299/104
 6,935,623 B2 8/2005 Cook

D594,889 S 6/2009 Park
 D627,804 S * 11/2010 Fader D15/139
 8,007,049 B2 * 8/2011 Fader B28D 1/186
 299/105
 8,701,799 B2 * 4/2014 Hall B23P 6/00
 175/432
 8,950,517 B2 * 2/2015 Hall E21B 4/14
 175/385
 9,200,483 B2 * 12/2015 Gavia E21B 10/55
 9,316,058 B2 * 4/2016 Bilen E21B 10/55
 9,610,555 B2 * 4/2017 Mukhopadhyay B01J 3/065
 9,683,410 B2 * 6/2017 Zhang E21B 10/567
 9,739,097 B2 * 8/2017 Zhang E21B 10/573
 D856,844 S 8/2019 Lee
 2002/0125468 A1 9/2002 Fischer
 2007/0264094 A1 11/2007 Seeley
 2007/0290545 A1 12/2007 Hall
 2010/0200236 A1 8/2010 Warren
 2010/0218999 A1 9/2010 Jones
 2011/0038679 A1 2/2011 Kozak
 2011/0192264 A1 8/2011 Livacich
 2011/0266055 A1 11/2011 DiGiovanni
 2012/0267173 A1 10/2012 Jones
 2013/0008717 A1 1/2013 Deen
 2013/0068525 A1 3/2013 DiGiovanni
 2014/0039489 A1 2/2014 Davalos
 2014/0257355 A1 9/2014 Palese
 2014/0298729 A1 10/2014 Ramanath
 2015/0300162 A1 10/2015 Drenth
 2016/0017663 A1 1/2016 Moeny
 2018/0070928 A1 3/2018 Jones

FOREIGN PATENT DOCUMENTS

JP 2005-022102 A 1/2005
 JP 2012-011475 A 1/2012
 JP D1522840 4/2015
 TW D156297 10/2013

OTHER PUBLICATIONS

Notice in Japanese Design Application No. 2015-015002, dated Nov. 16, 2015.
 Notice in Japanese Design Application No. 2015-015004, dated Nov. 16, 2015.
 Notice in Japanese Design Application No. 2015-015005, dated Nov. 16, 2015.
 Notice of Allowance in Taiwanese Design Application No. 105300044, dated May 30, 2016.
 Office Action issued in counterpart U.S. Appl. No. 29/648,968 dated Sep. 26, 2019.
 Office Action issued in counterpart U.S. Appl. No. 29/648,971 dated Oct. 3, 2019.

* cited by examiner

FIG. 1

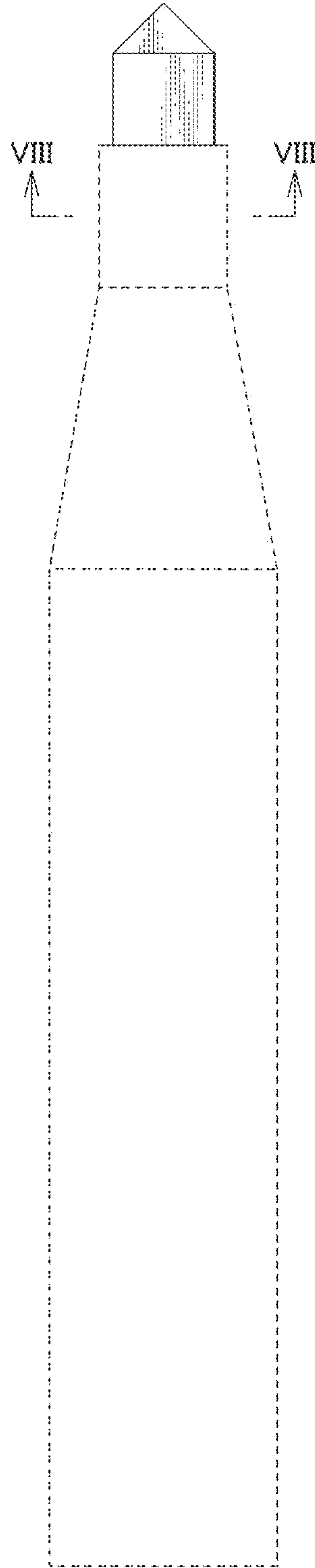


FIG.2

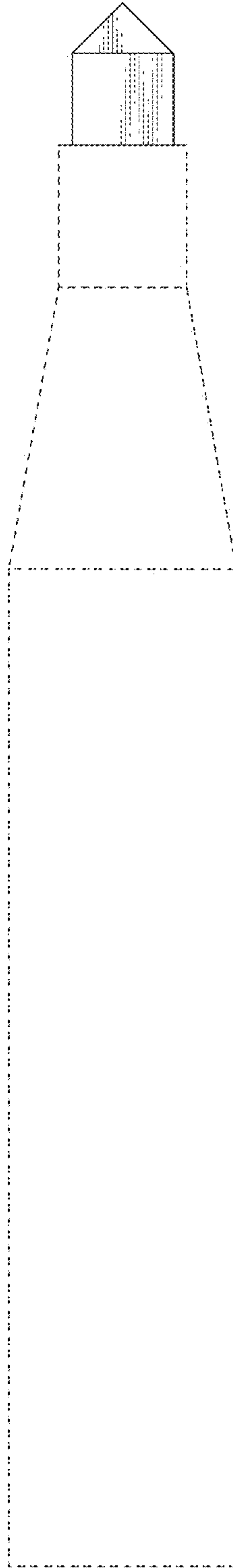


FIG.3

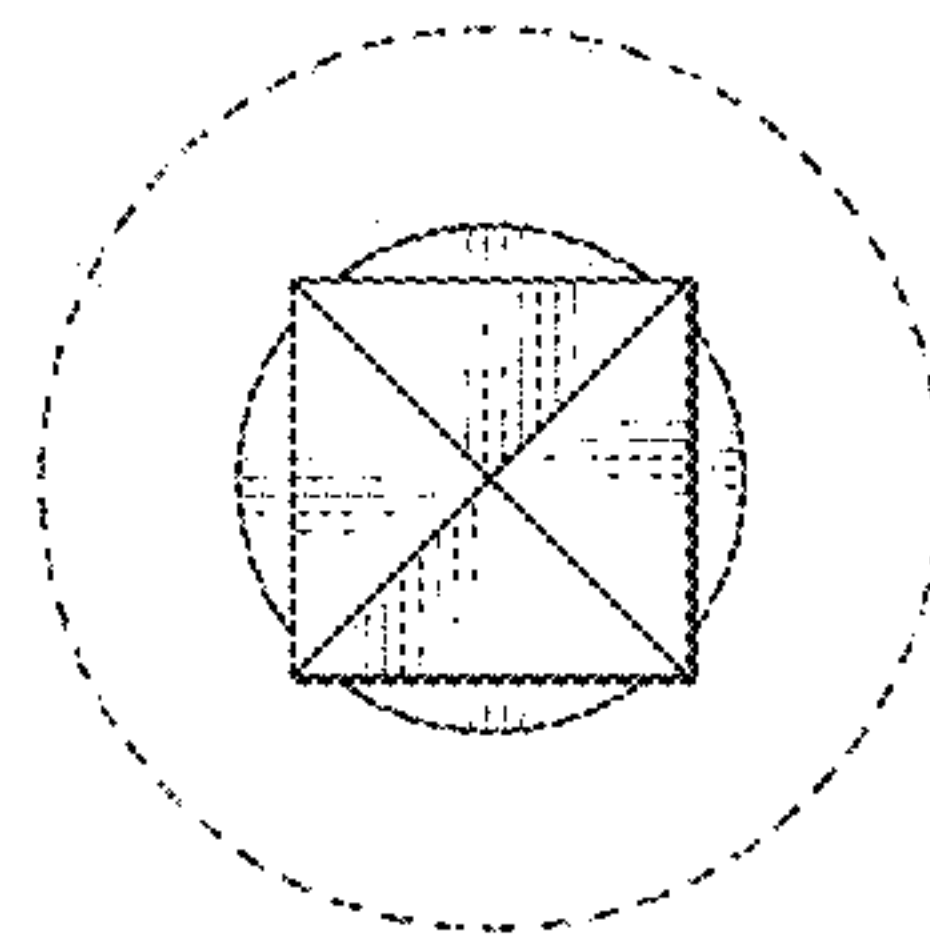


FIG.4

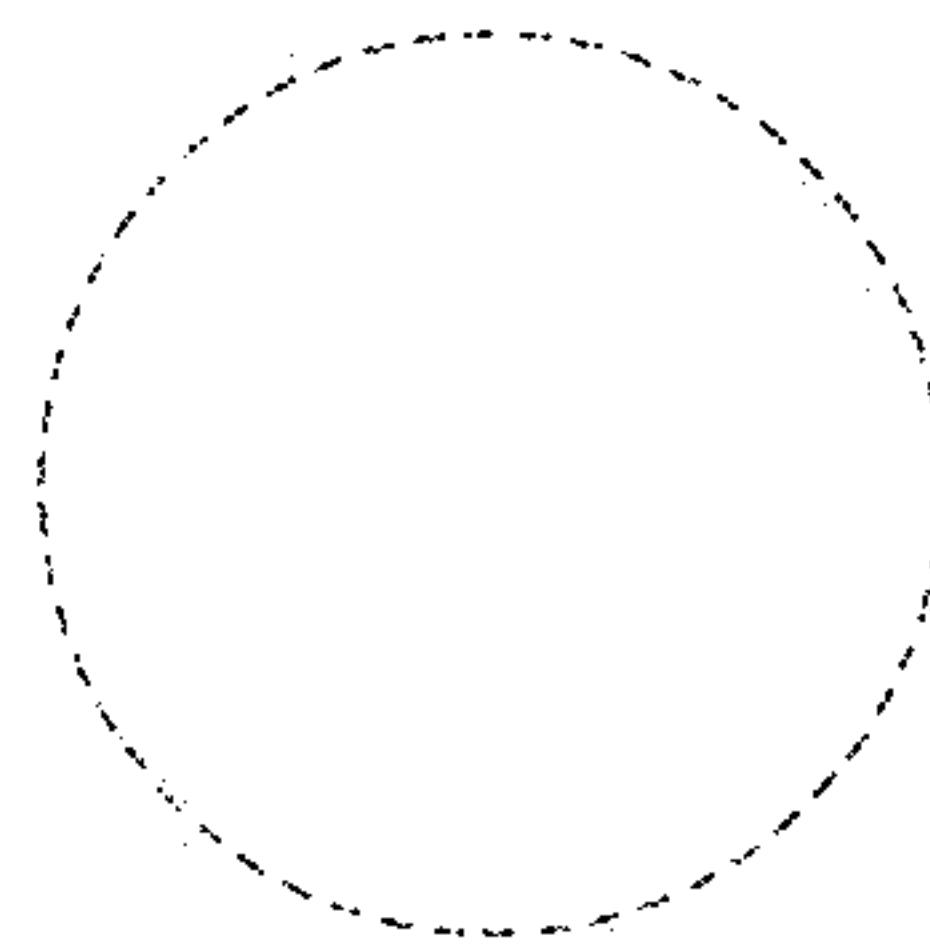


FIG.5

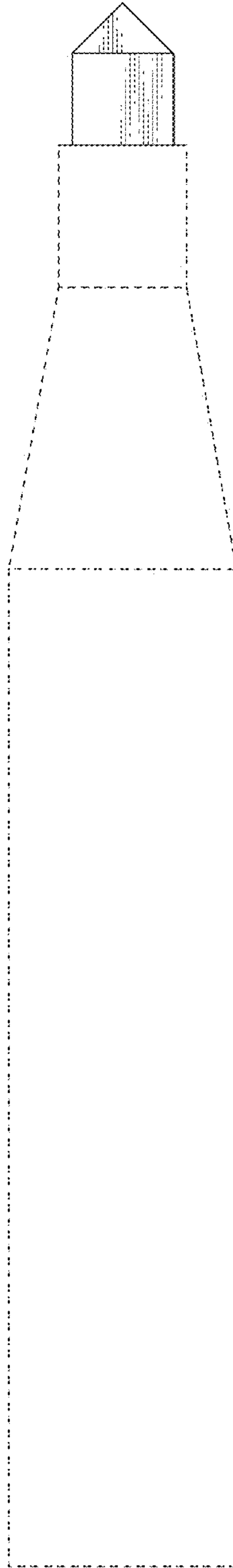


FIG.6

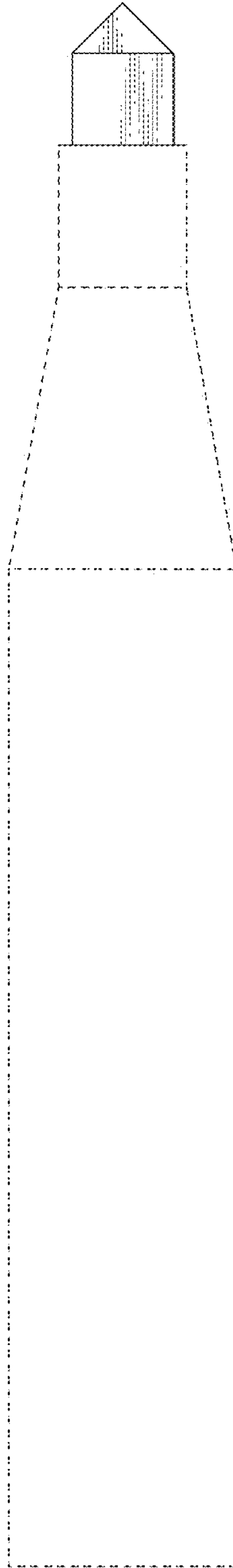


FIG. 7

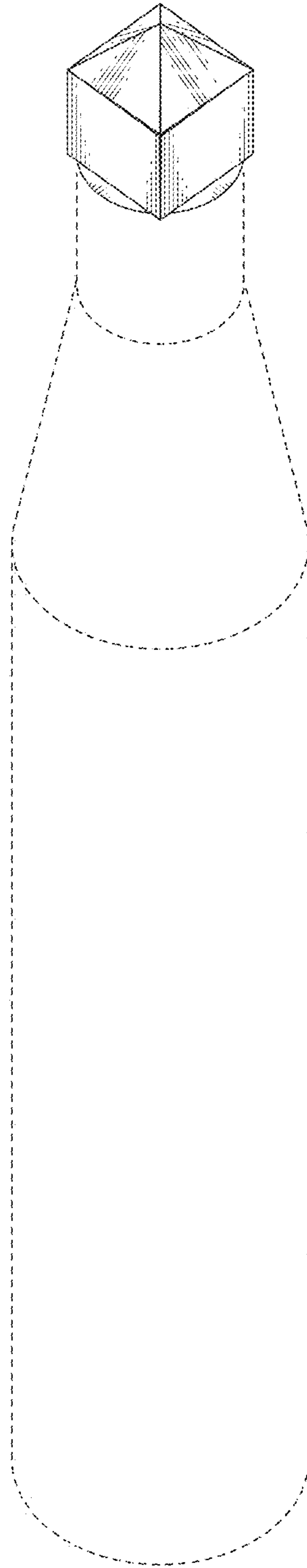


FIG.8

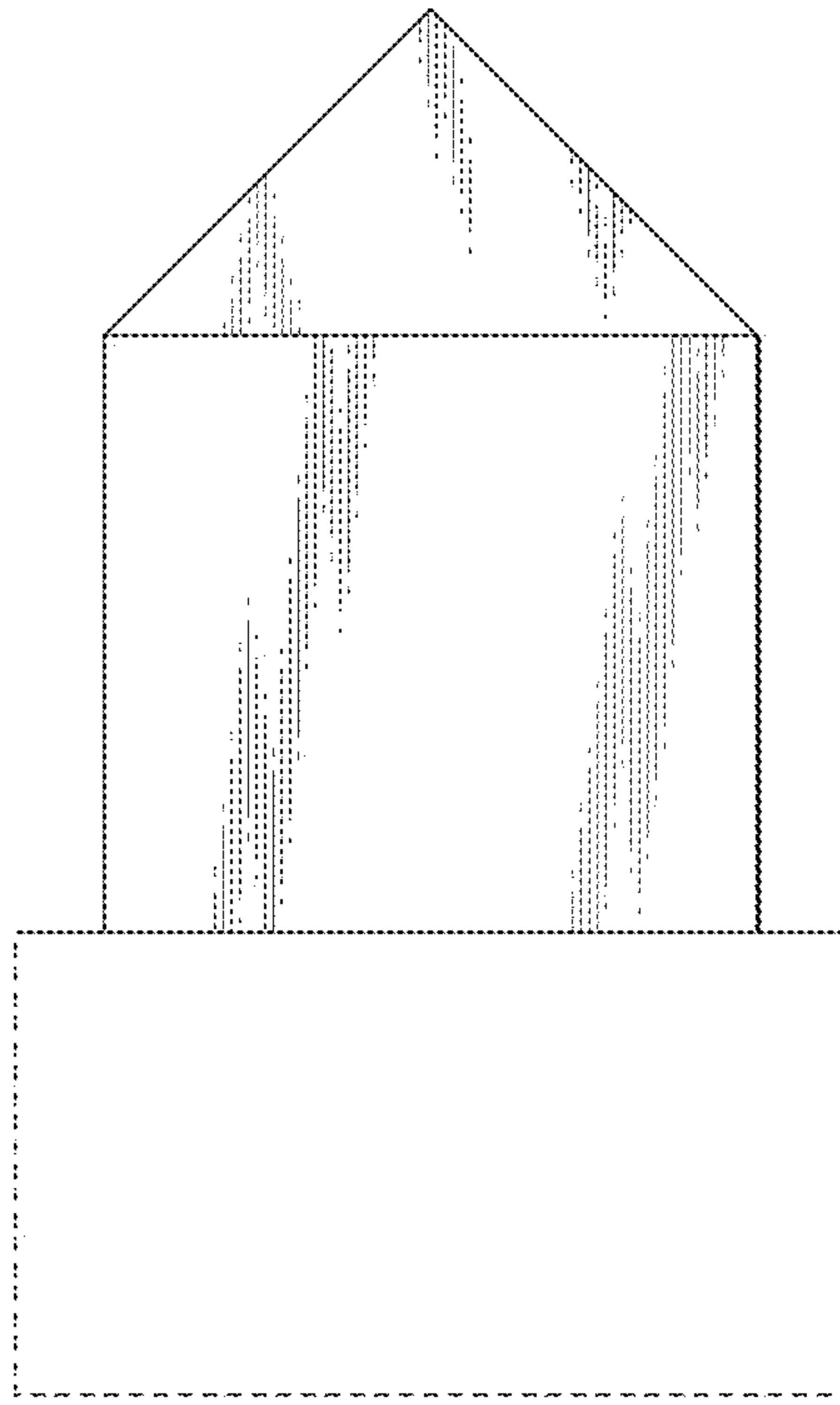


FIG.9

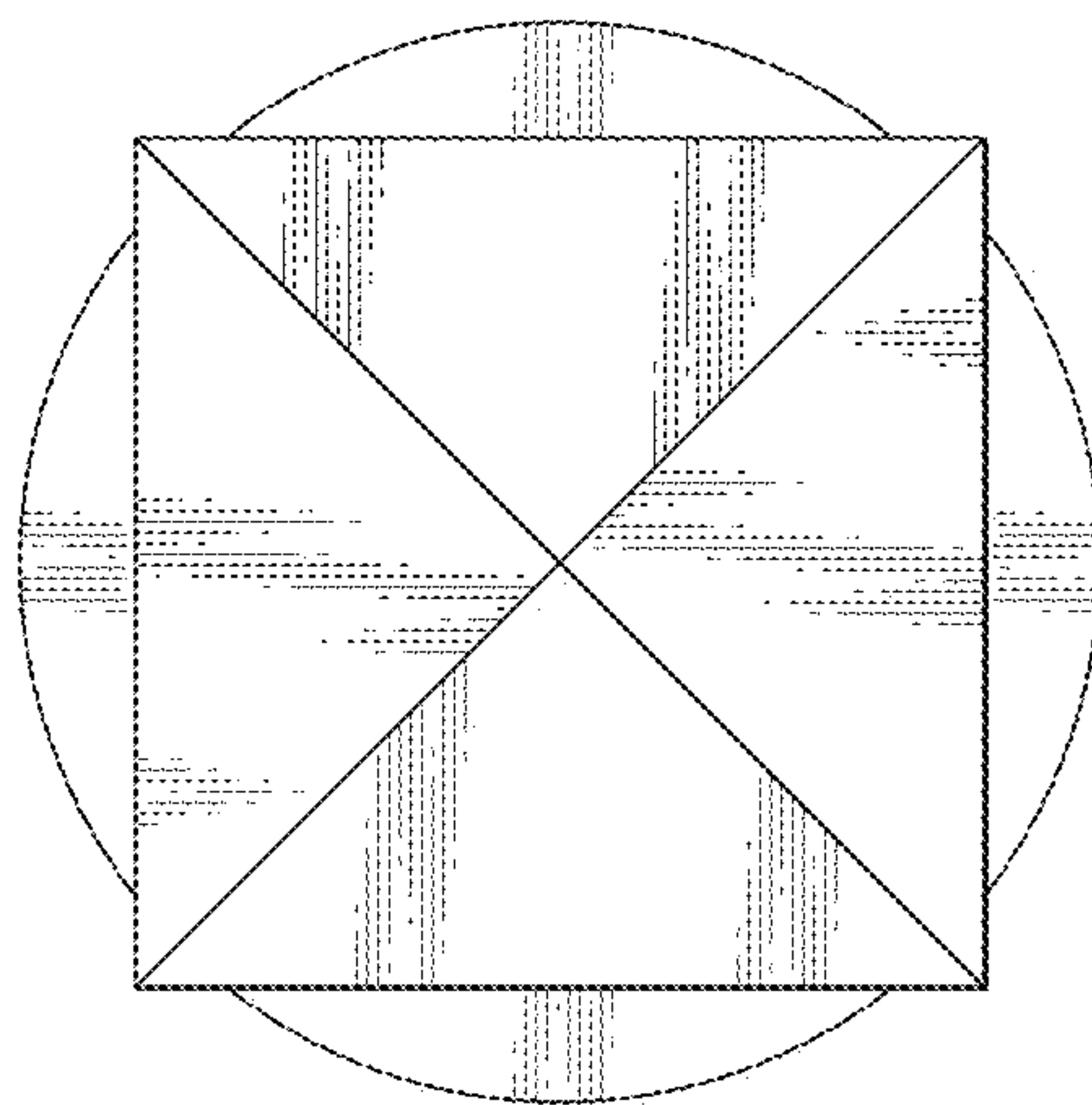


FIG.10

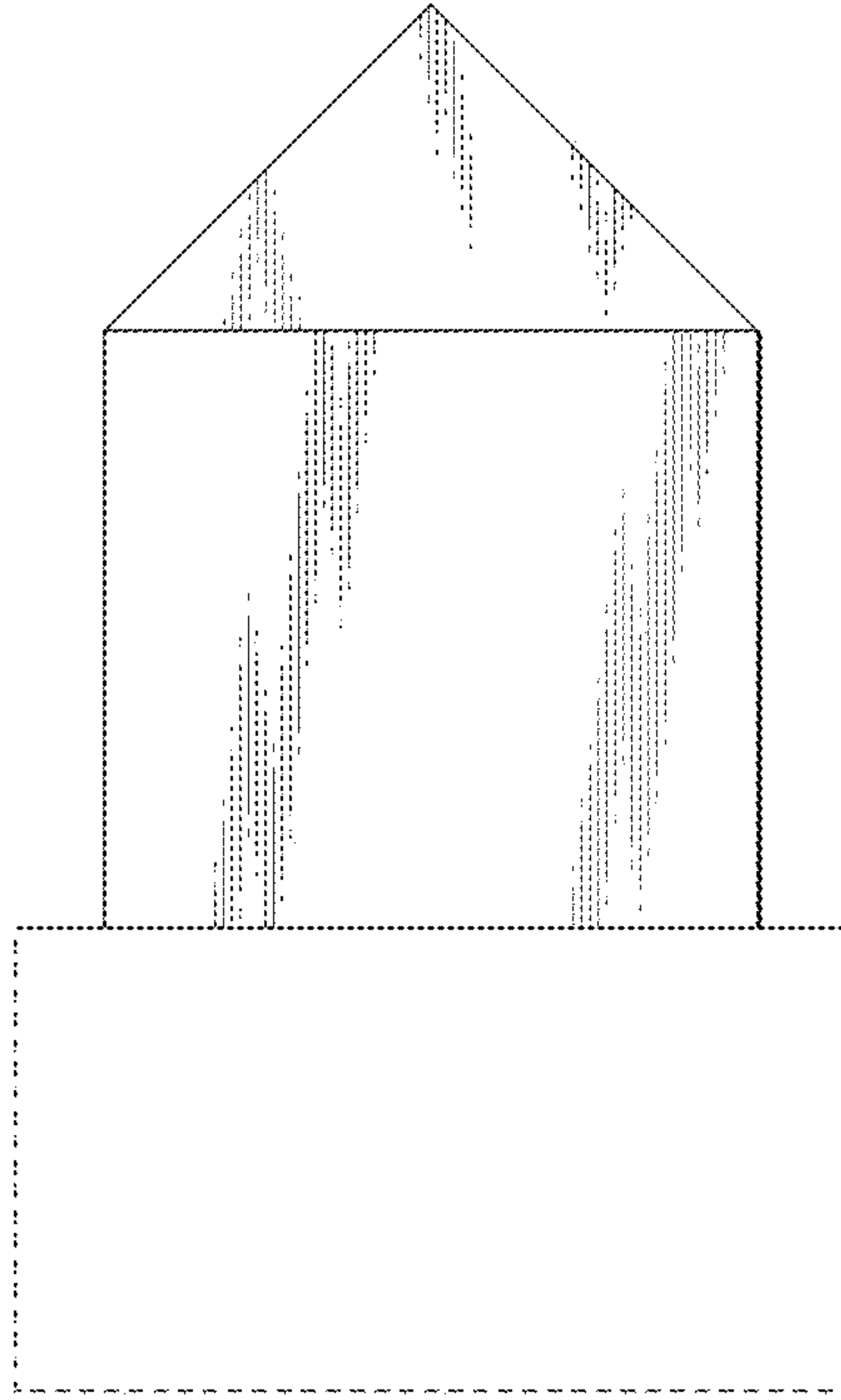


FIG.11

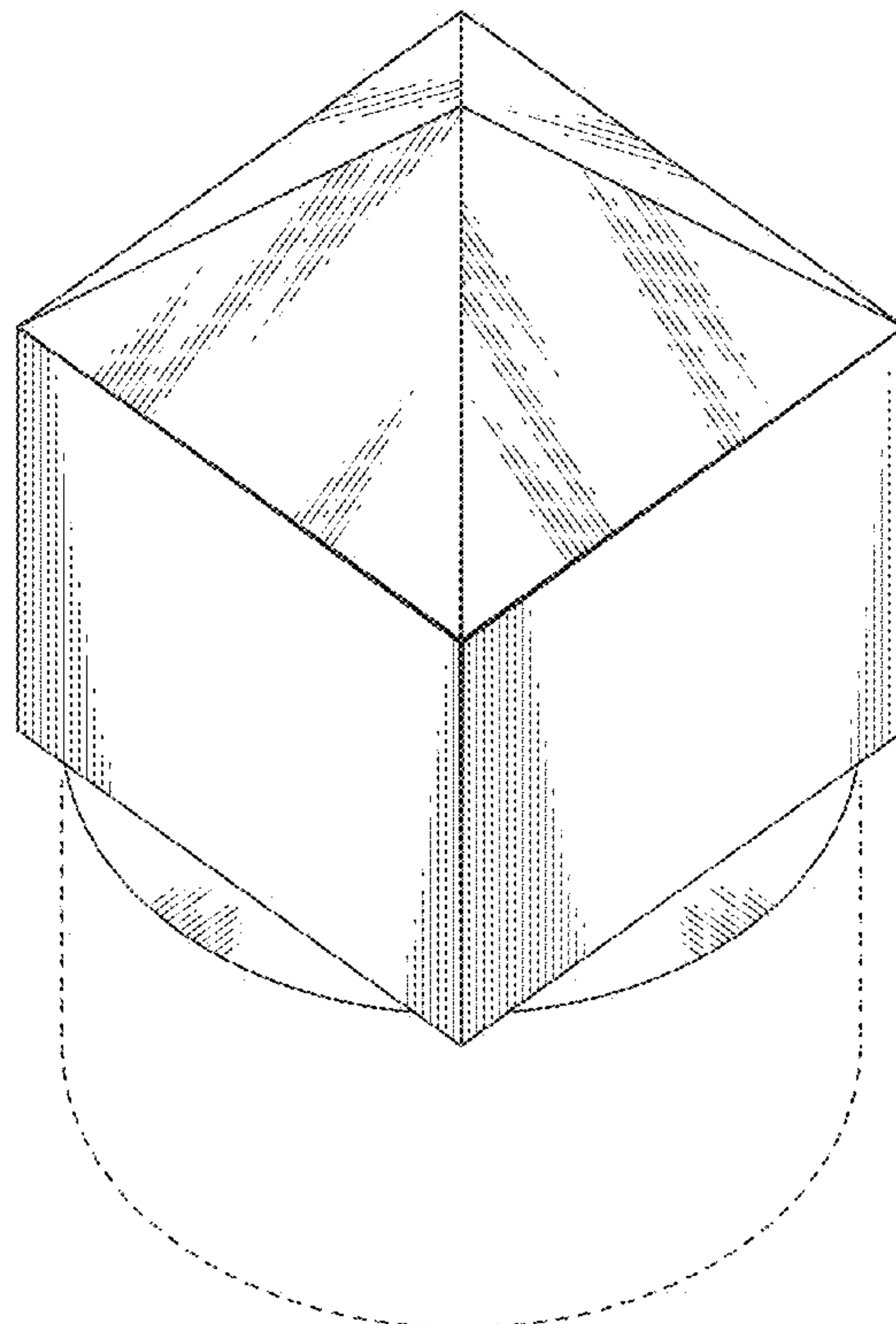


FIG.12

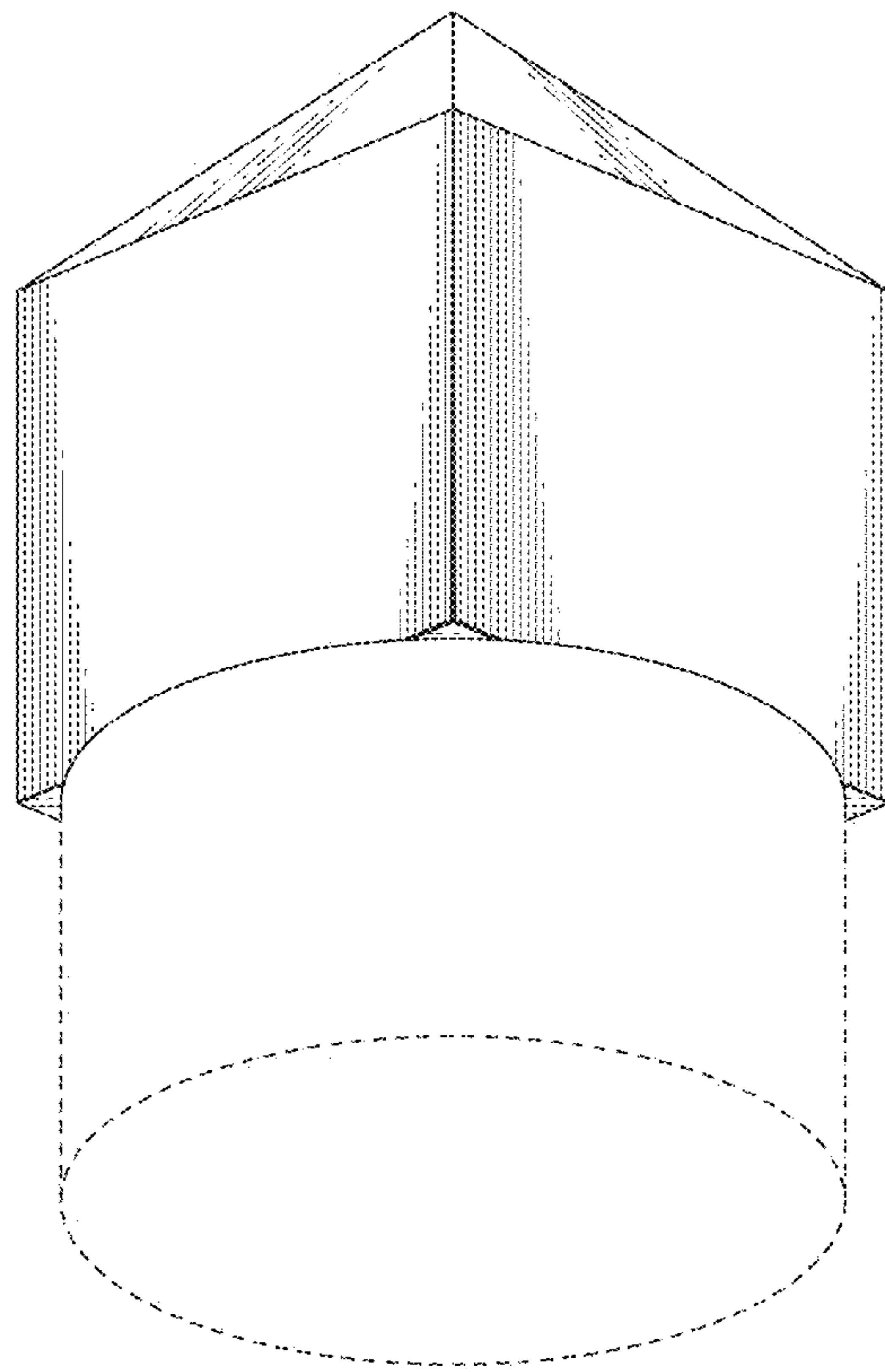


FIG. 13

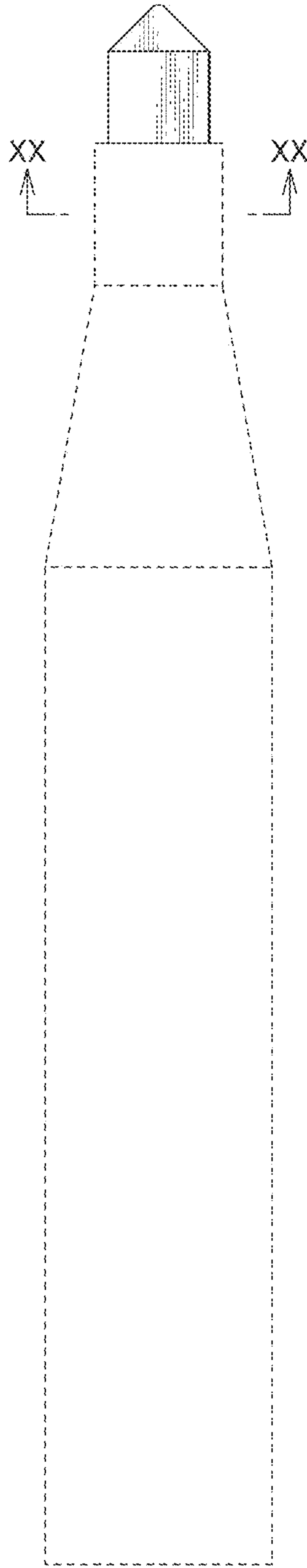


FIG. 14

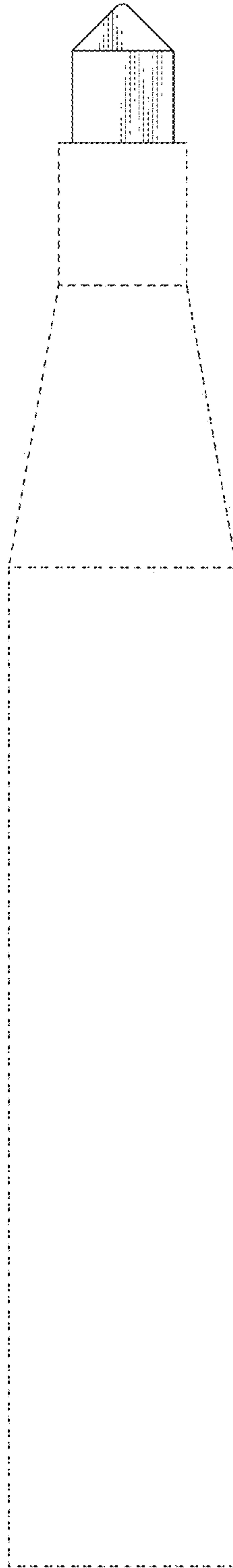


FIG.15

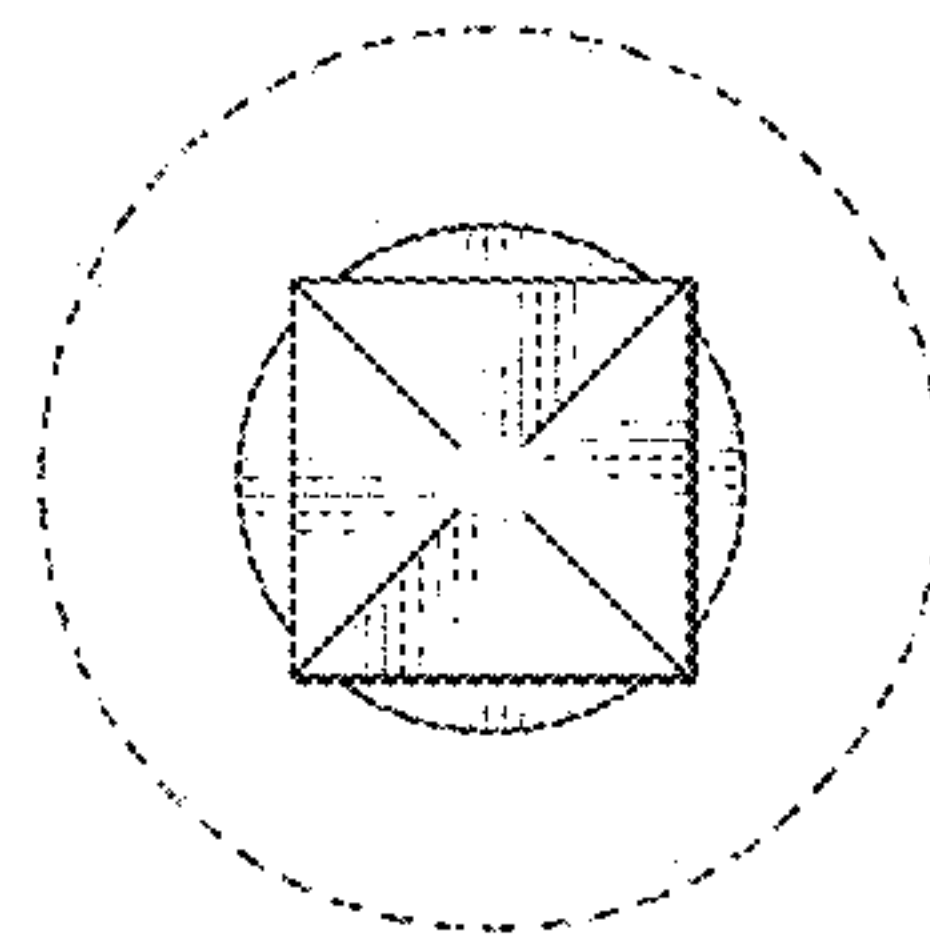


FIG.16

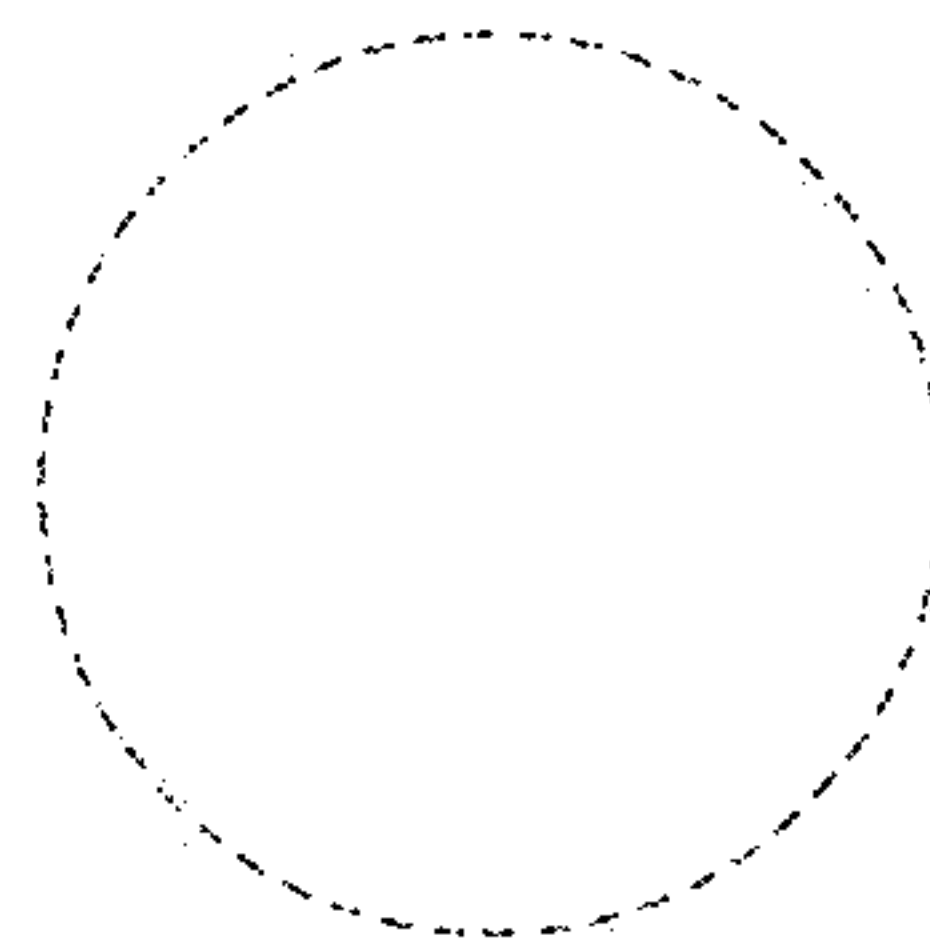


FIG. 17

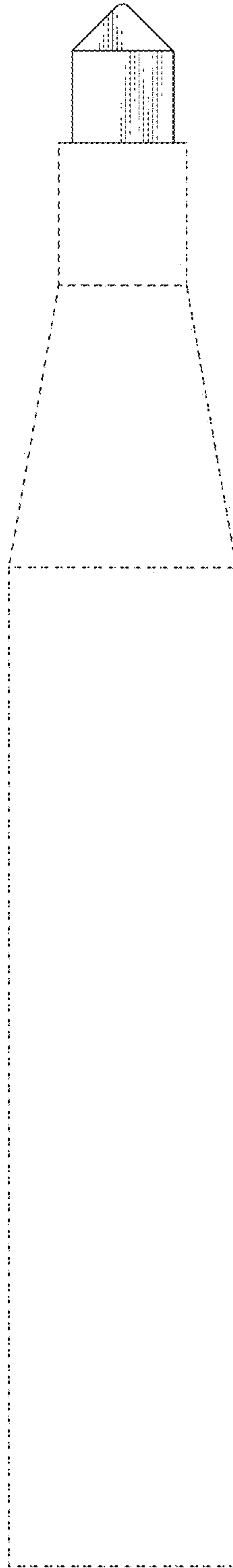


FIG. 18

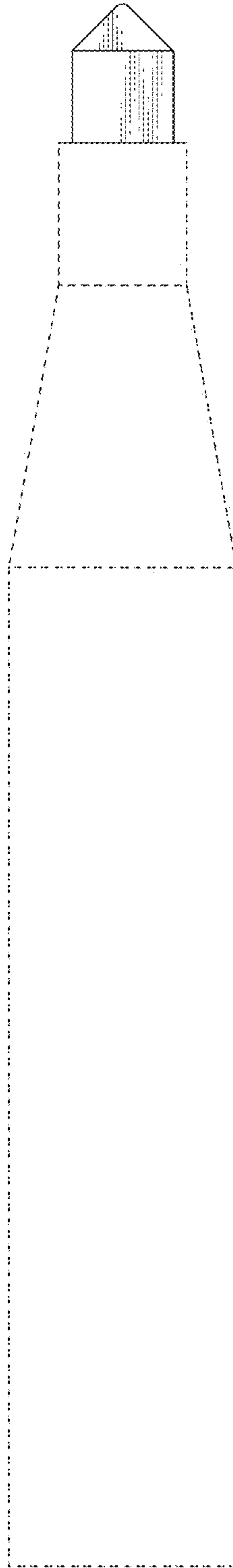


FIG.19

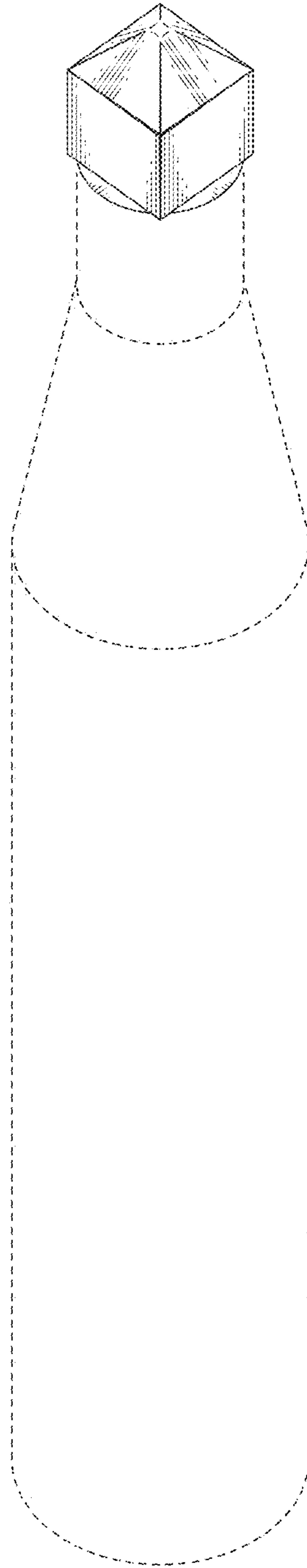


FIG.20

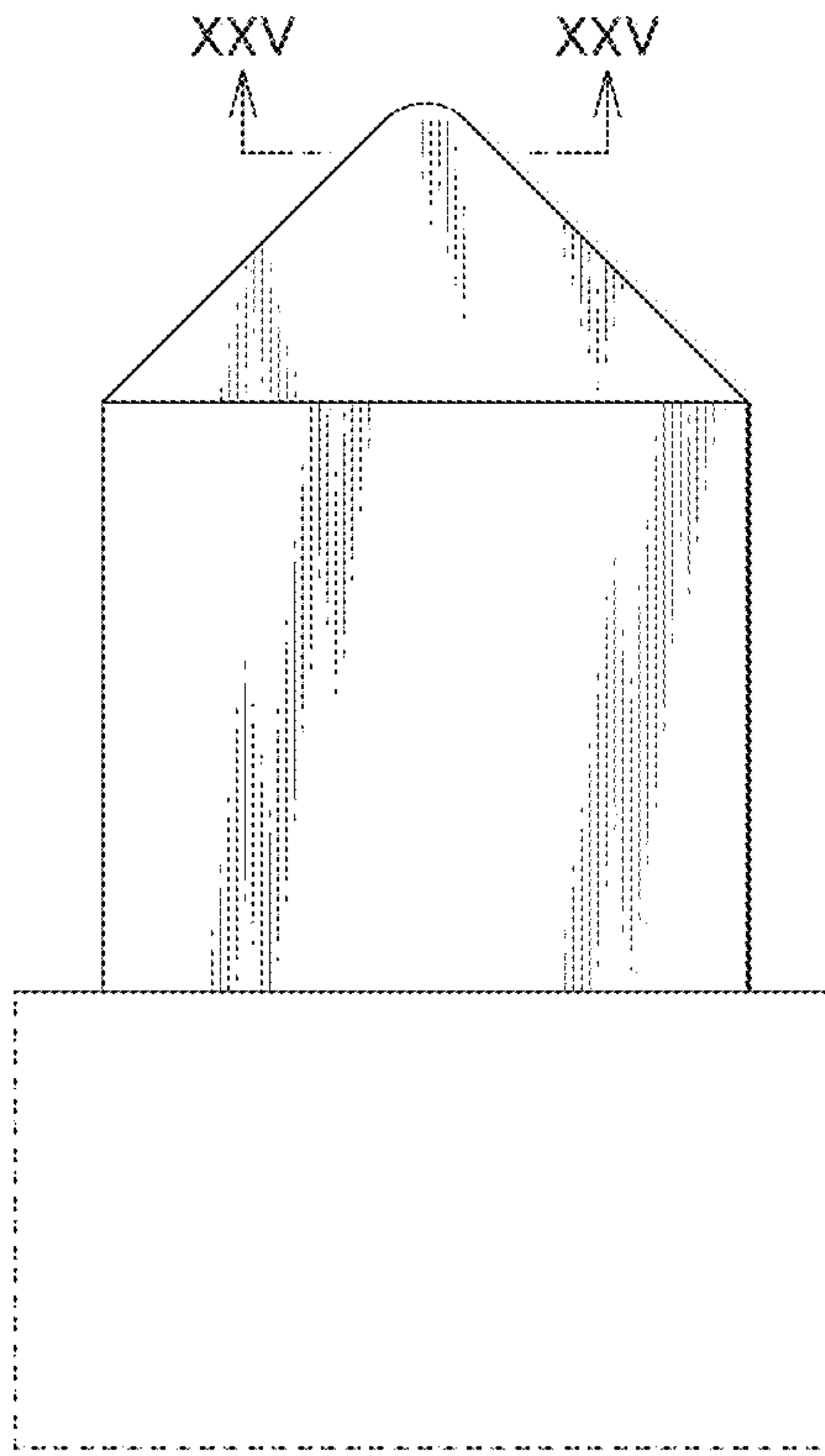


FIG.21

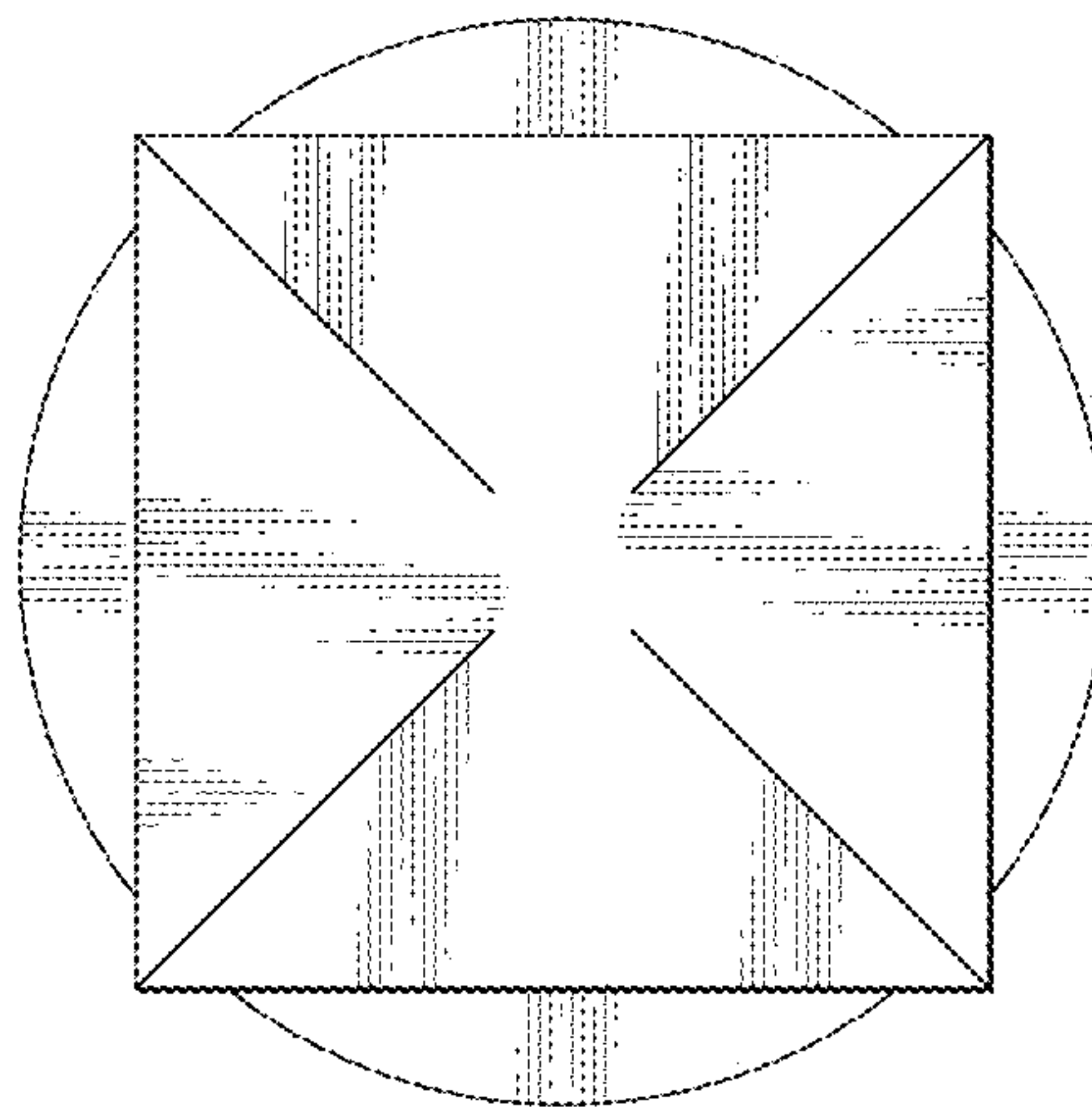


FIG.22

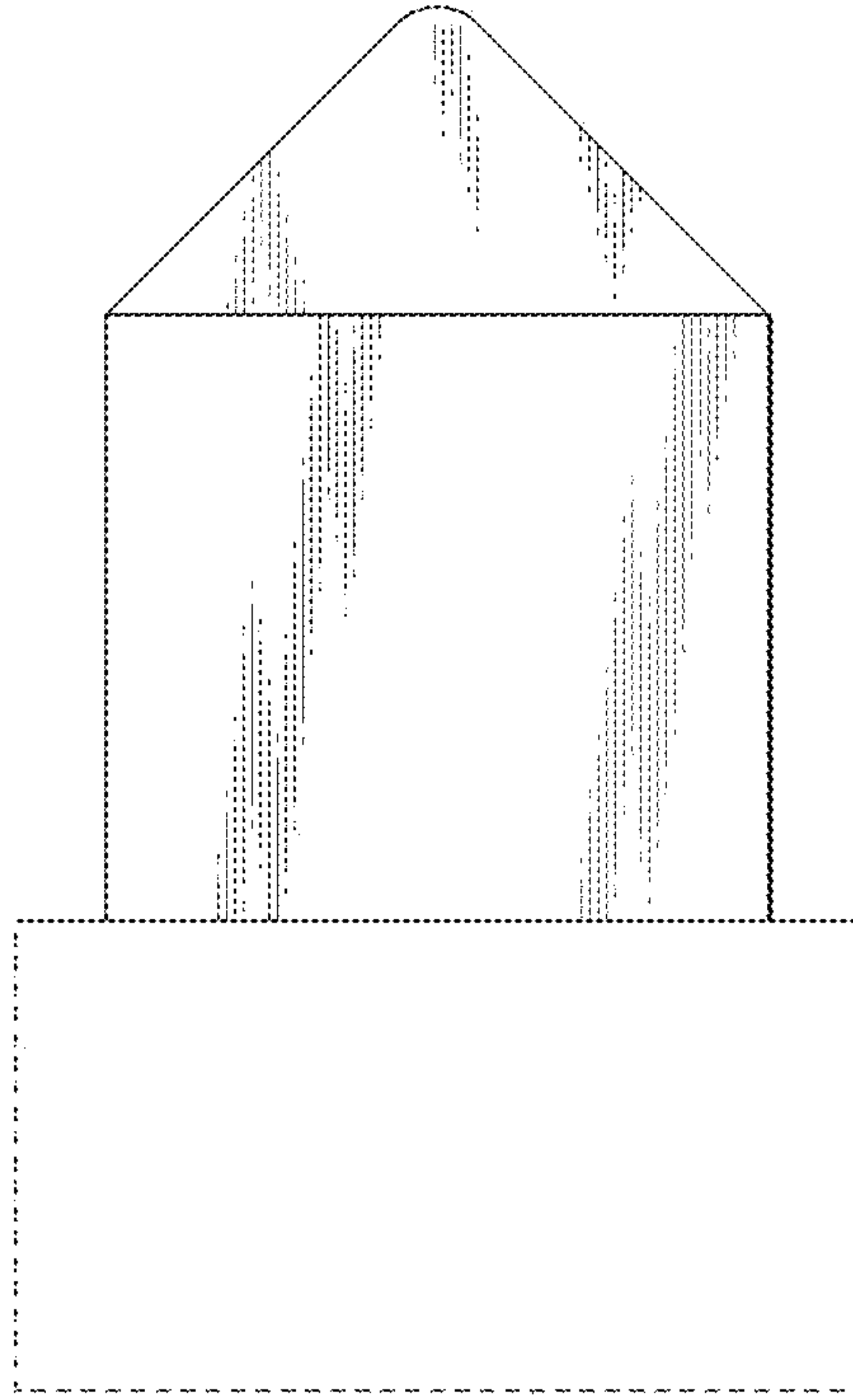


FIG.23

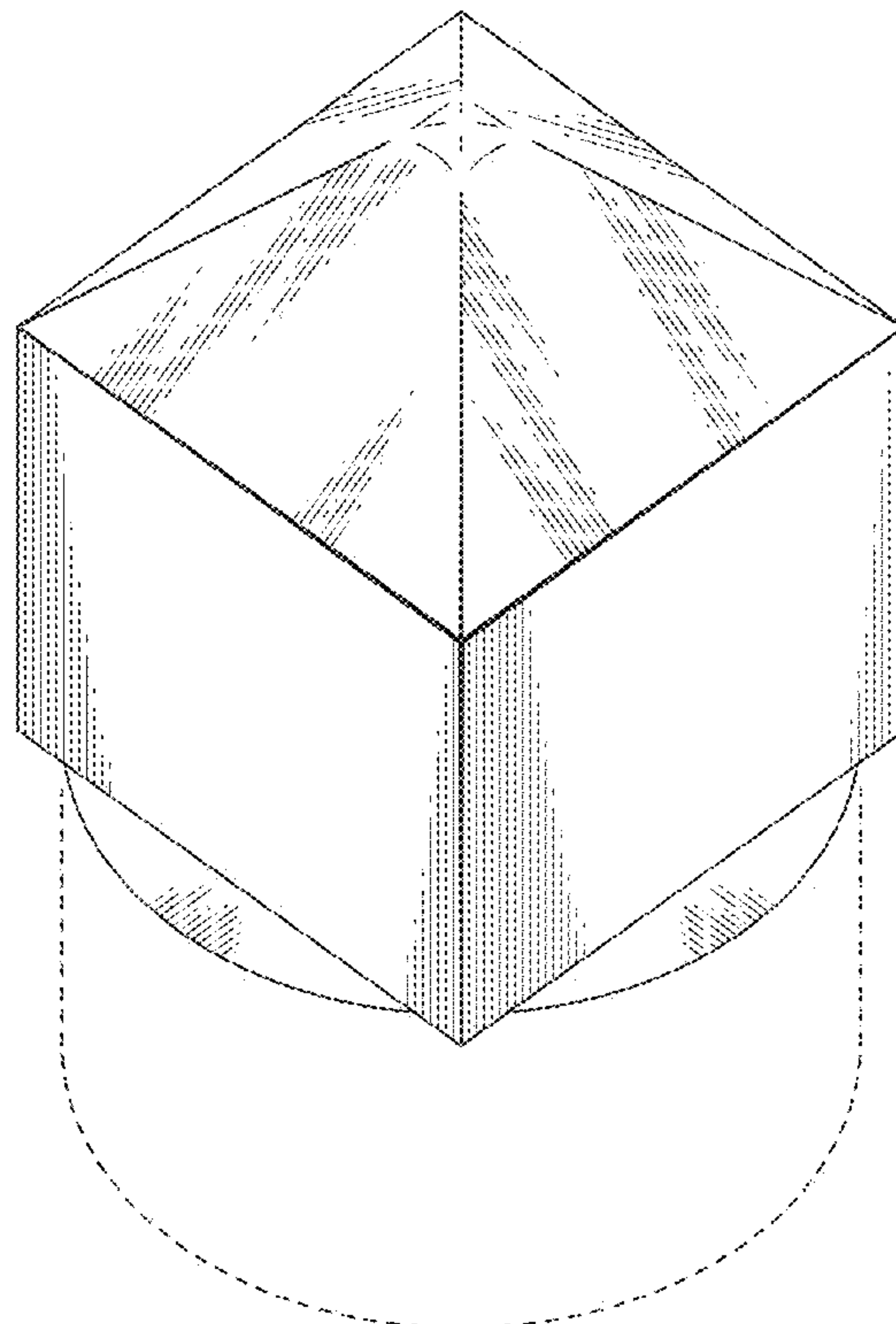


FIG.24

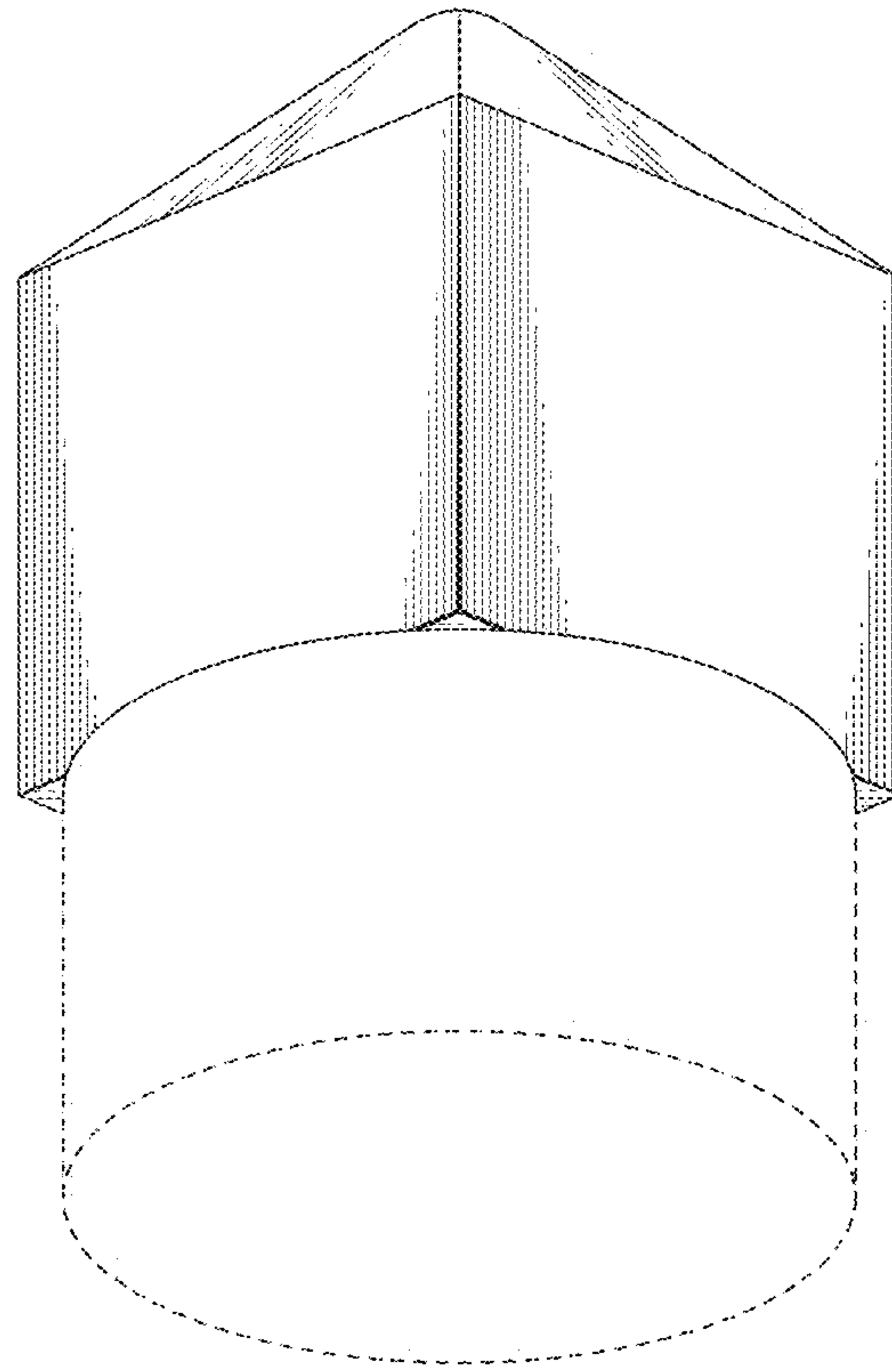


FIG.25

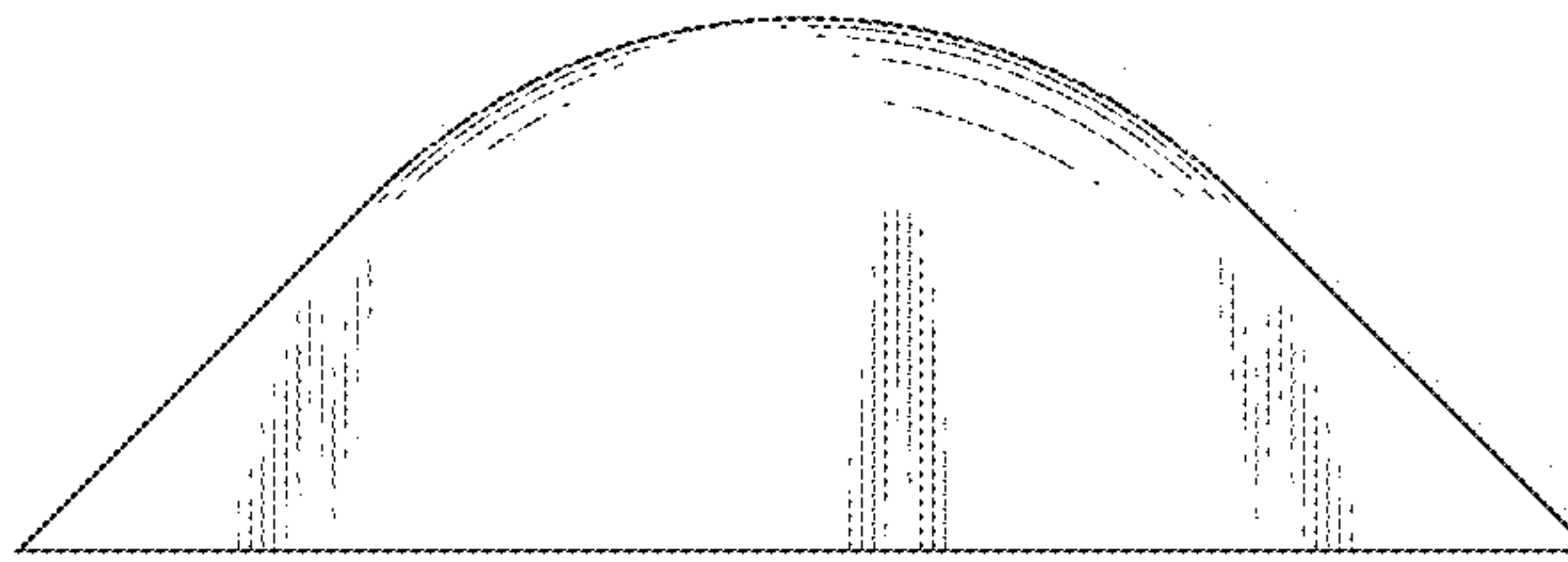


FIG.26

