



US00D882648S

(12) **United States Design Patent**
Peng

(10) **Patent No.:** **US D882,648 S**

(45) **Date of Patent:** **** Apr. 28, 2020**

(54) **FOLDABLE ICE TRAY FOR FOOD**

(71) Applicant: **Shenzhen Kean Silicone Product Co., Ltd**, Shenzhen, Guangdong (CN)

(72) Inventor: **Eric Peng**, Guangdong (CN)

(73) Assignee: **SHENZHEN KEAN SILICONE PRODUCT CO., LTD**, Shenzhen (CN)

(**) Term: **15 Years**

(21) Appl. No.: **29/643,514**

(22) Filed: **Apr. 9, 2018**

(30) **Foreign Application Priority Data**

Dec. 4, 2017 (CN) 2017 3 0610066

(51) **LOC (12) Cl.** **15-07**

(52) **U.S. Cl.**
USPC **D15/90**

(58) **Field of Classification Search**

USPC D15/79-91; D7/619.1, 603, 213, 305, D7/602, 619.2, 701, 708, 600.1

CPC .. F25D 11/00; F25D 17/065; F25D 2325/022; F25D 23/069; F25D 25/025; F25D 11/02; F25D 17/062; F25D 21/12; F25D 21/125; F25D 21/14; F25D 2317/061; F25D 2317/067; F25D 2323/021; F25D 2323/024; F25D 23/028; F25D 23/04; F25D 23/066; F25D 23/085; F25D 23/087; F25D 23/126; F25D 2400/02; F25D 2400/06; F25D 2400/361; F25D 2400/40; F25D 25/005; F25D 25/02; F25D 2600/02; F25D 2700/02; F25D 2700/12; F25D 2700/121; F25D 2700/14; F25D 29/00

See application file for complete search history.

(56) **References Cited**

U.S. PATENT DOCUMENTS

2,015,496 A * 9/1935 Platt A23C 3/045
426/524
D115,946 S * 8/1939 Wiley D7/407

D159,399 S * 7/1950 Williams D9/758
3,018,636 A * 1/1962 Waag F25C 1/24
62/135
D261,466 S * 10/1981 Harper D1/103
D265,154 S * 6/1982 Cox D12/419
D372,840 S * 8/1996 Cousins D7/538
D381,515 S * 7/1997 Haynes D24/224
D399,704 S * 10/1998 Cousins D7/553.4
D487,673 S * 3/2004 Mishan D7/553.4
7,093,816 B2 * 8/2006 Lacan F25C 1/243
249/121
D573,410 S * 7/2008 Hou D7/553.4
D574,665 S * 8/2008 James D7/553.4
D596,444 S * 7/2009 Harvey D7/354
D616,265 S * 5/2010 Kulzer D7/701
D616,268 S * 5/2010 Kulzer D7/701

(Continued)

Primary Examiner — Khawaja Anwar

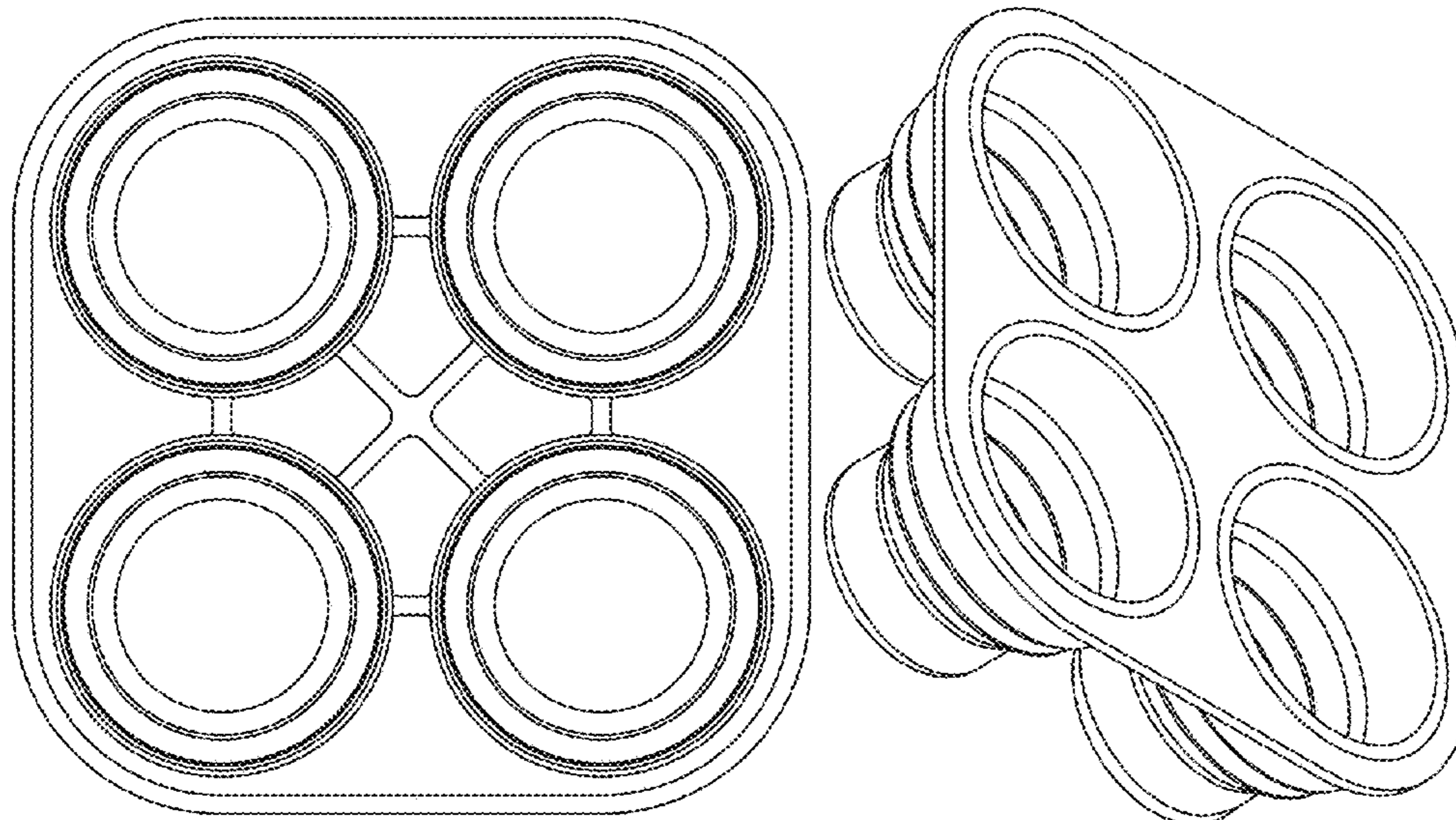
(57) **CLAIM**

The ornamental design for a foldable ice tray for food, as shown and described.

DESCRIPTION

FIG. 1 is a front elevational view of a foldable ice tray for food showing my new design;
FIG. 2 is a rear elevational view thereof;
FIG. 3 is a left side view thereof;
FIG. 4 is a right side view thereof;
FIG. 5 is a top plan view thereof;
FIG. 6 is a bottom plan view thereof;
FIG. 7 is a bottom, front and left side perspective view thereof;
FIG. 8 is a top, front and right side perspective view thereof;
and,
FIG. 9 is a top, rear and right side perspective view thereof.

1 Claim, 9 Drawing Sheets



(56)

References Cited

U.S. PATENT DOCUMENTS

D658,216 S *	4/2012	Sorensen	D15/90
D665,430 S *	8/2012	Sorensen	D15/90
D705,618 S *	5/2014	Reid, Jr.	D7/701
D739,264 S *	9/2015	Bucellato	D7/354
D792,735 S *	7/2017	Henry	D7/357
D800,184 S *	10/2017	Suess	D15/79
D847,222 S *	4/2019	Todirca	D15/90
D852,854 S *	7/2019	Helton	D15/90

* cited by examiner

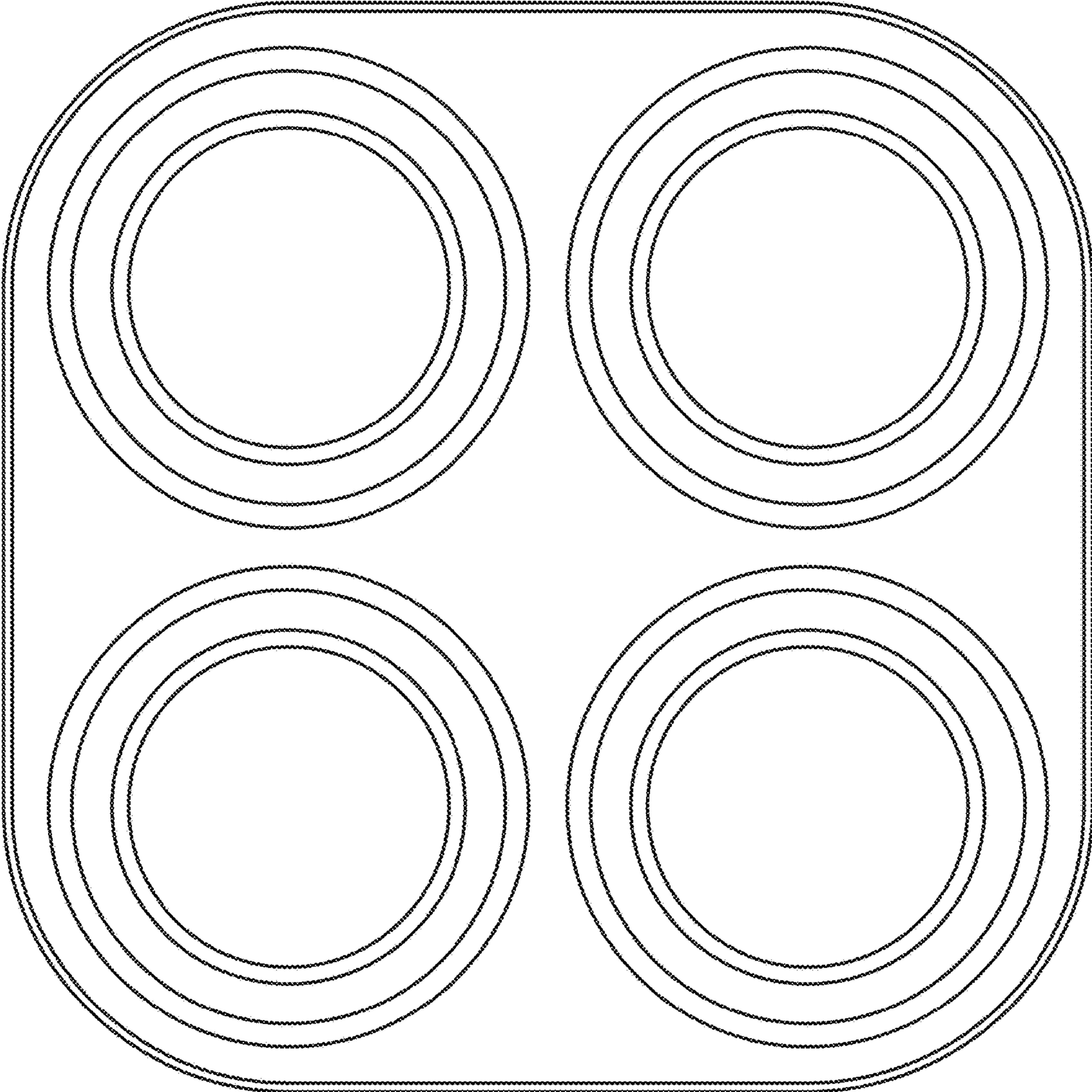


Fig. 1

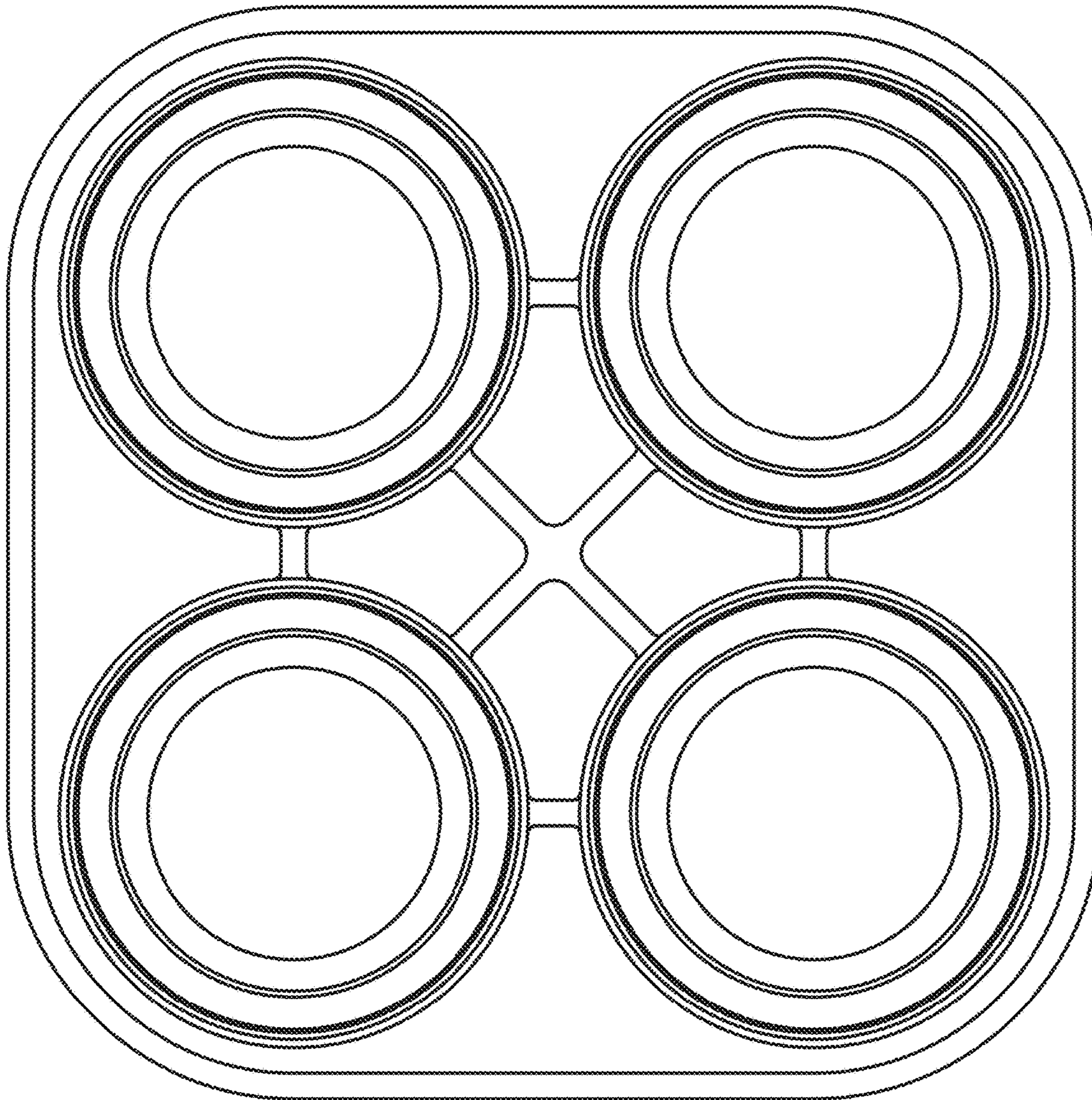


Fig. 2

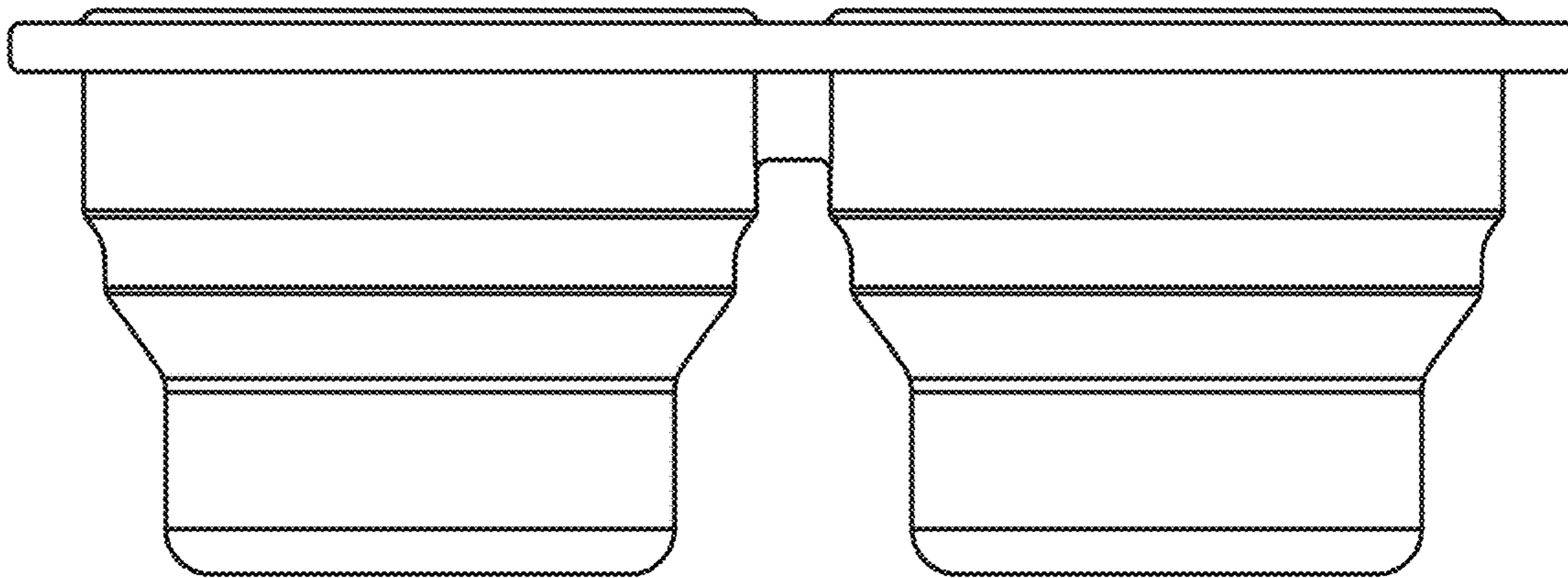


Fig. 3

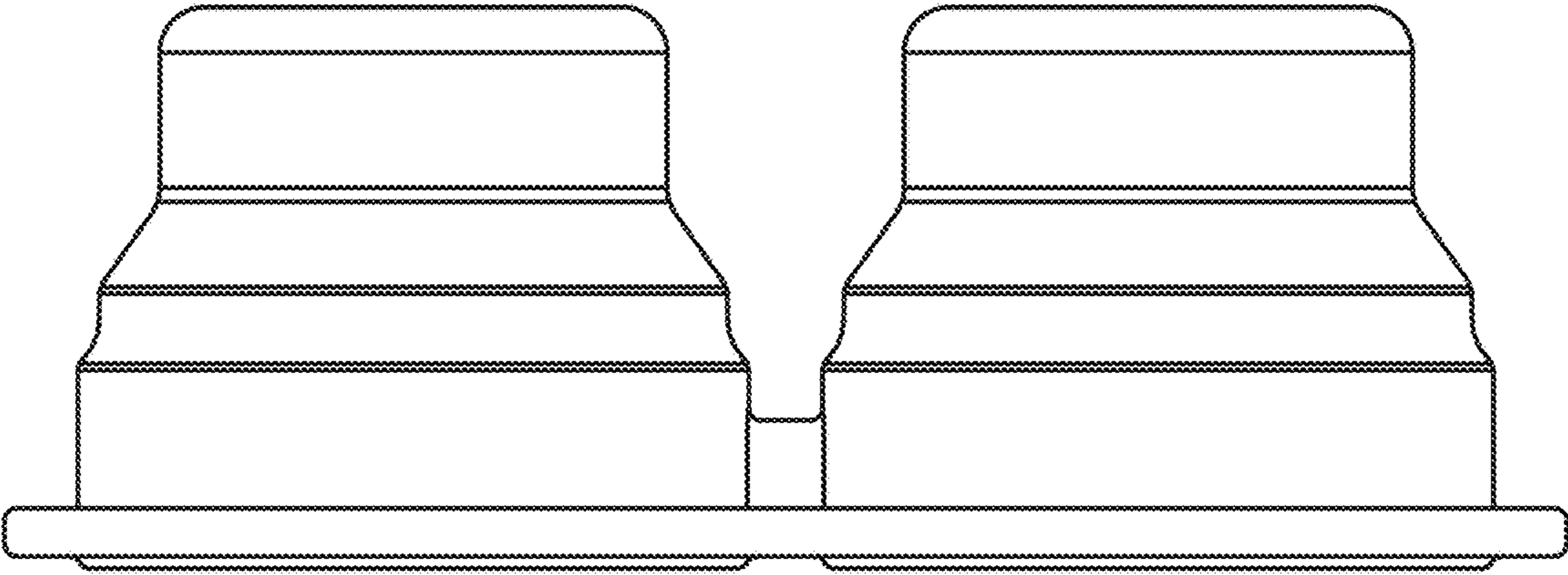


Fig. 4

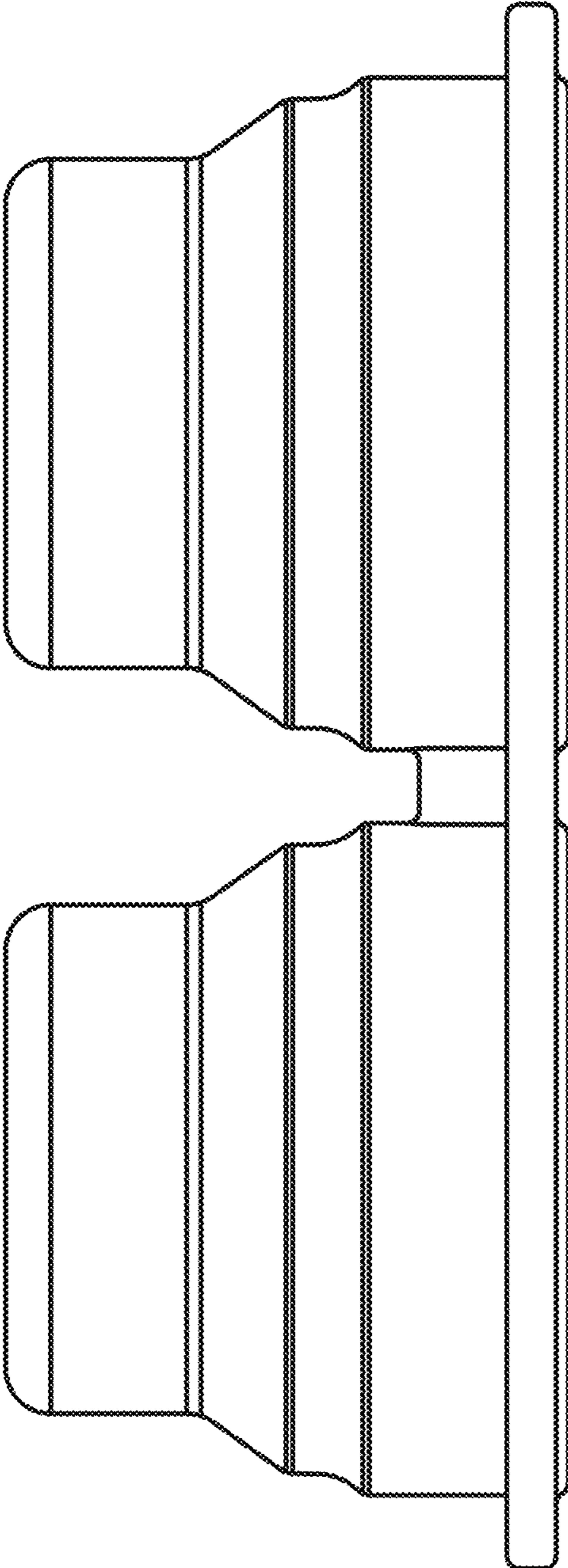


Fig. 5

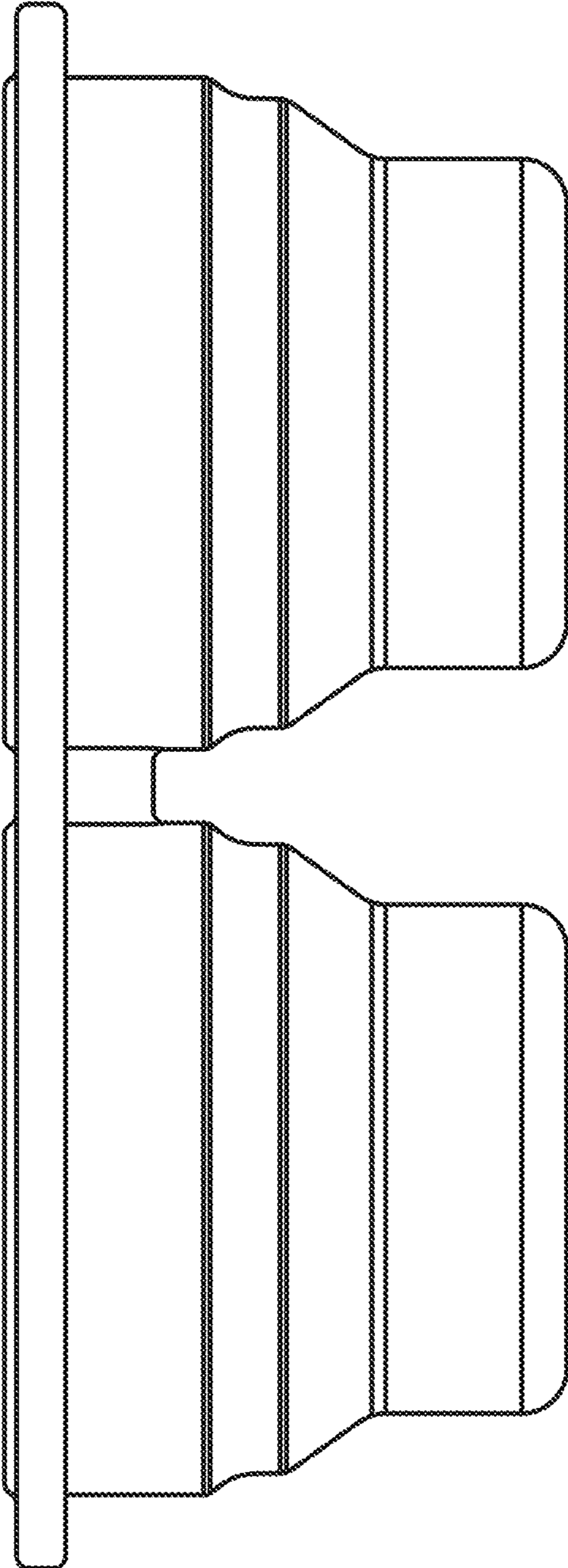


Fig. 6

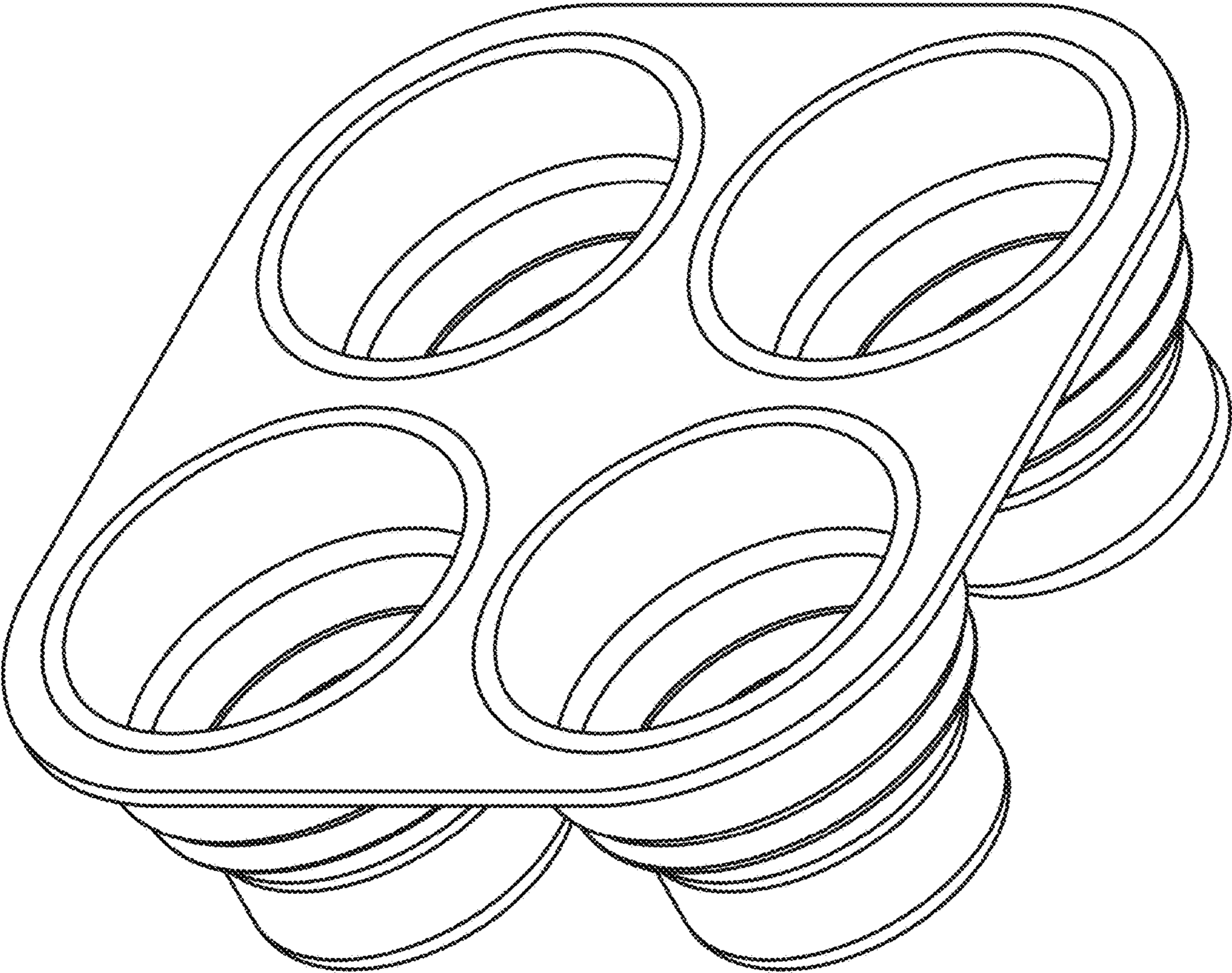


Fig. 7

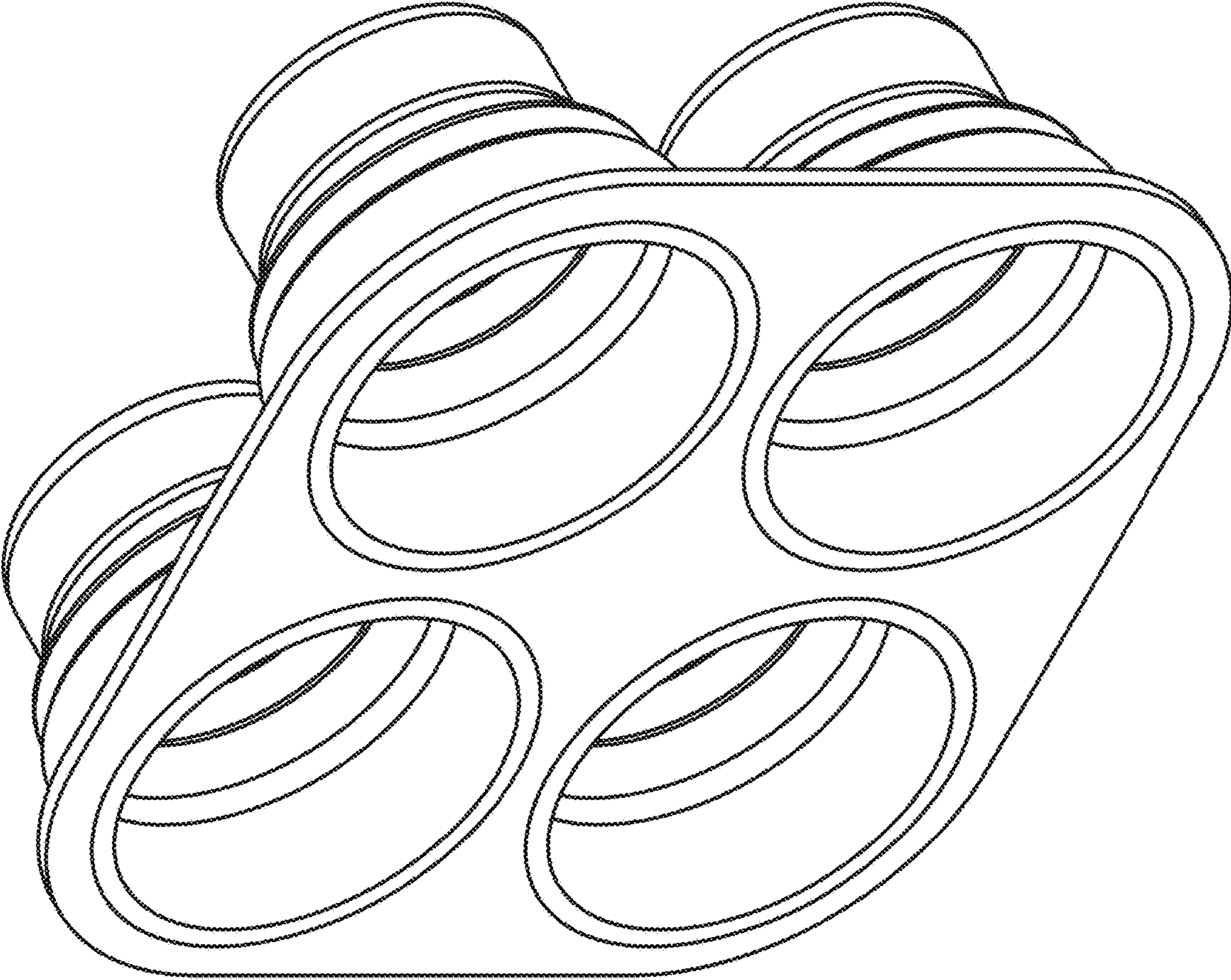


Fig. 8

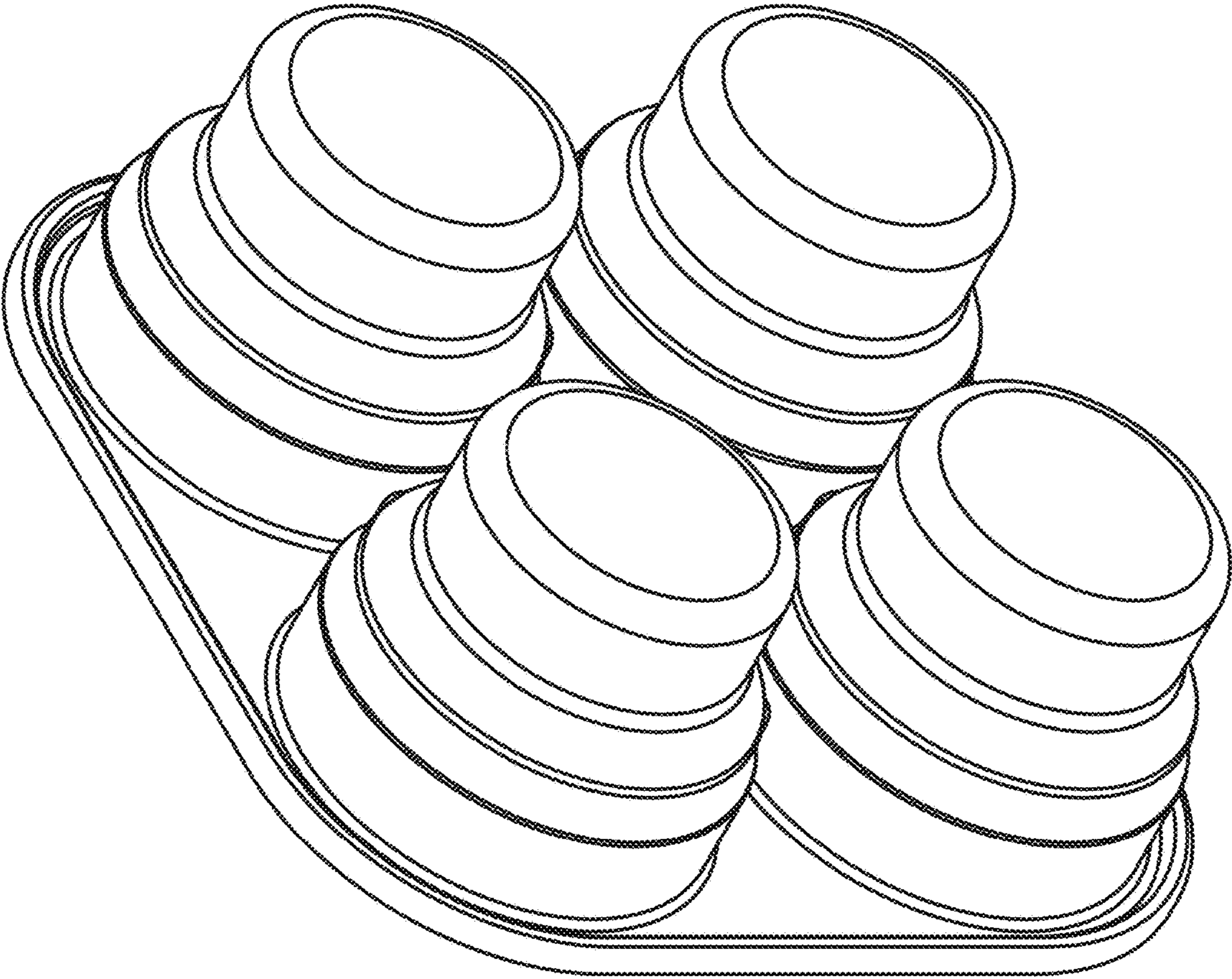


Fig. 9