



US00D882647S

(12) **United States Design Patent** (10) **Patent No.:** **US D882,647 S**
Reynolds et al. (45) **Date of Patent:** **** Apr. 28, 2020**

(54) **CAB ROOF**
(71) Applicant: **B & D Technologies, LLC**, Accomac, VA (US)
(72) Inventors: **Orvell B. Reynolds**, Ridgeland, MS (US); **Devon Fairhurst**, Onancock, VA (US)

D540,828 S * 4/2007 Johnson D15/25
D540,829 S * 4/2007 Johnson D15/25
D595,745 S * 7/2009 Jorgensen D15/30
D635,156 S * 3/2011 Berning D15/30
D672,292 S * 12/2012 Liogas D12/169
D688,712 S * 8/2013 Suzuki D15/23
D688,994 S * 9/2013 Campbell D12/169

(Continued)

(73) Assignee: **B & D Technologies, LLC**, Accomac, VA (US)

(**) Term: **15 Years**

(21) Appl. No.: **29/666,465**

(22) Filed: **Oct. 12, 2018**

(51) **LOC (12) Cl.** **15-03**

(52) **U.S. Cl.**
USPC **D15/30**

(58) **Field of Classification Search**
USPC D12/86, 163-164, 169, 173, 175, 177, D12/184, 196; D15/28, 30, 31, 22-26, D15/37

CPC B60J 11/06; B60J 7/00; B60J 1/004; B60J 1/02; B60J 1/04; B60J 5/0487; B60R 13/00; B60R 13/10; B62D 25/10; B62D 35/00; B62D 35/007; B62D 33/0617; B62D 49/00-085; B62D 33/06-073; E05D 5/062; E02F 9/16; E02F 9/163; E02F 9/06

See application file for complete search history.

(56) **References Cited**

U.S. PATENT DOCUMENTS

4,050,735 A * 9/1977 Molnar B60R 21/11 296/102
D343,004 S * 1/1994 Nelson D15/30
D405,807 S * 2/1999 Amy D15/25
D425,837 S * 5/2000 Runfola D12/169
D449,807 S * 10/2001 Lucas D12/169

OTHER PUBLICATIONS

CPW. "CPW(tm) 2008-2014 Polaris Hard Top One Piece Roof." Amazon.com, published Nov. 11, 2015 (Retrieved from the Internet Feb. 6, 2020). Internet URL: <https://www.amazon.com/CPW-2008-2014-Polaris-Piece-2012-2017/dp/B077ZGB92P> (Year: 2015).*

(Continued)

Primary Examiner — Jack Reickel

Assistant Examiner — Rachel A Voorhies

(74) *Attorney, Agent, or Firm* — AdamsIP, LLC; J. Hunter Adams

(57) **CLAIM**

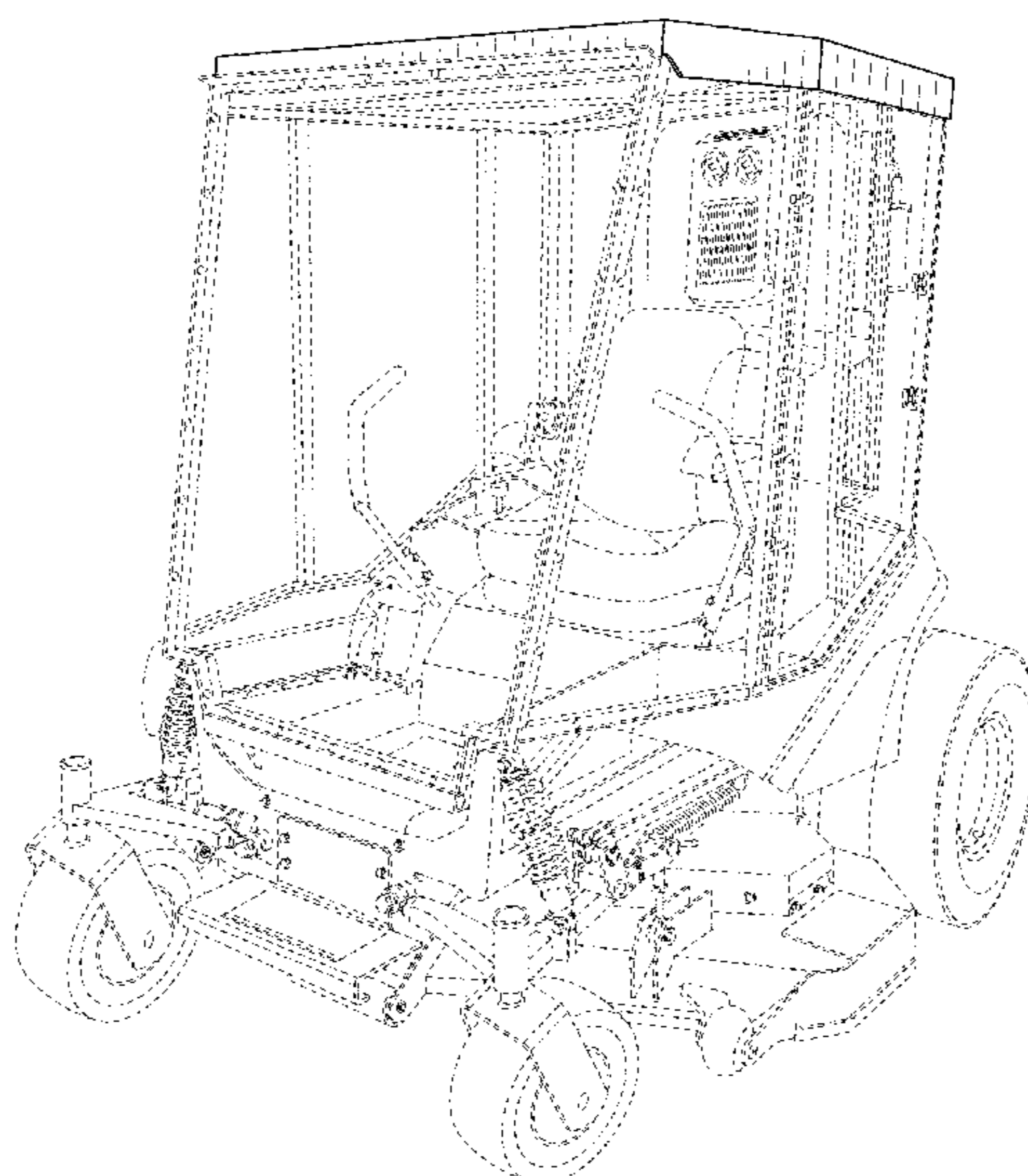
The ornamental design for a cab roof, as shown and described.

DESCRIPTION

FIG. 1 is a front perspective view of a cab roof showing the claimed design in an environment in which it may be used; FIG. 2 is a top view thereof; FIG. 3 is a bottom view thereof; FIG. 4 is a front view thereof; FIG. 5 is a back view thereof; FIG. 6 is a right side view thereof; and, FIG. 7 is a left side view thereof.

The dashed broken lines in the figures show portions of the cab roof or environmental subject matter that form no part of the claimed design. The dot-dash broken lines in the figures show boundaries that form no part of the claimed design.

1 Claim, 4 Drawing Sheets



(56)

References Cited

U.S. PATENT DOCUMENTS

D707,605	S	*	6/2014	Duncan	D12/181
D745,571	S	*	12/2015	Ewringmann	D15/28
D756,420	S	*	5/2016	Okuyama	D15/23
D768,729	S	*	10/2016	Long	D15/10
D775,032	S	*	12/2016	Palmer	D12/190
D775,244	S	*	12/2016	Hart	D15/30
D777,215	S	*	1/2017	Moritaka	D15/23
D785,051	S	*	4/2017	Okuyama	D15/23
D794,086	S	*	8/2017	Thompson	D15/26
D795,305	S	*	8/2017	Ewringmann	D15/22
D801,855	S	*	11/2017	Wen	D12/14
D805,113	S	*	12/2017	Jacobsthal	D15/30
D818,008	S	*	5/2018	Diebold	D15/28
D834,470	S	*	11/2018	Anderson	D12/169
D834,621	S	*	11/2018	Hallgren	D15/10
D855,663	S	*	8/2019	Cadalora	B60R 21/11 D15/30
2009/0256392	A1	*	10/2009	Buda	B62D 33/0612 296/190.02
2012/0038186	A1	*	2/2012	Takaoka	E02F 9/163 296/190.03
2017/0313366	A1	*	11/2017	Uratani	B62D 33/0617

OTHER PUBLICATIONS

“A better winter cab for my Case garden tractor.” Data-cut.com, published May 3, 2017 (Retrieved from the Internet Feb. 6, 2020). Internet URL: <<https://web.archive.org/web/20170503200006/http://www.data-cut.com/projects/case/casecab.html>> (Year: 2017).*

“‘The Chiller’ On Its Way.” Cabnair, published Sep. 8, 2018 (Retrieved from the Internet Feb. 6, 2020). Internet URL: <<https://cabnair.com/f/the-chiller-on-its-way>> (Year: 2018).*

* cited by examiner

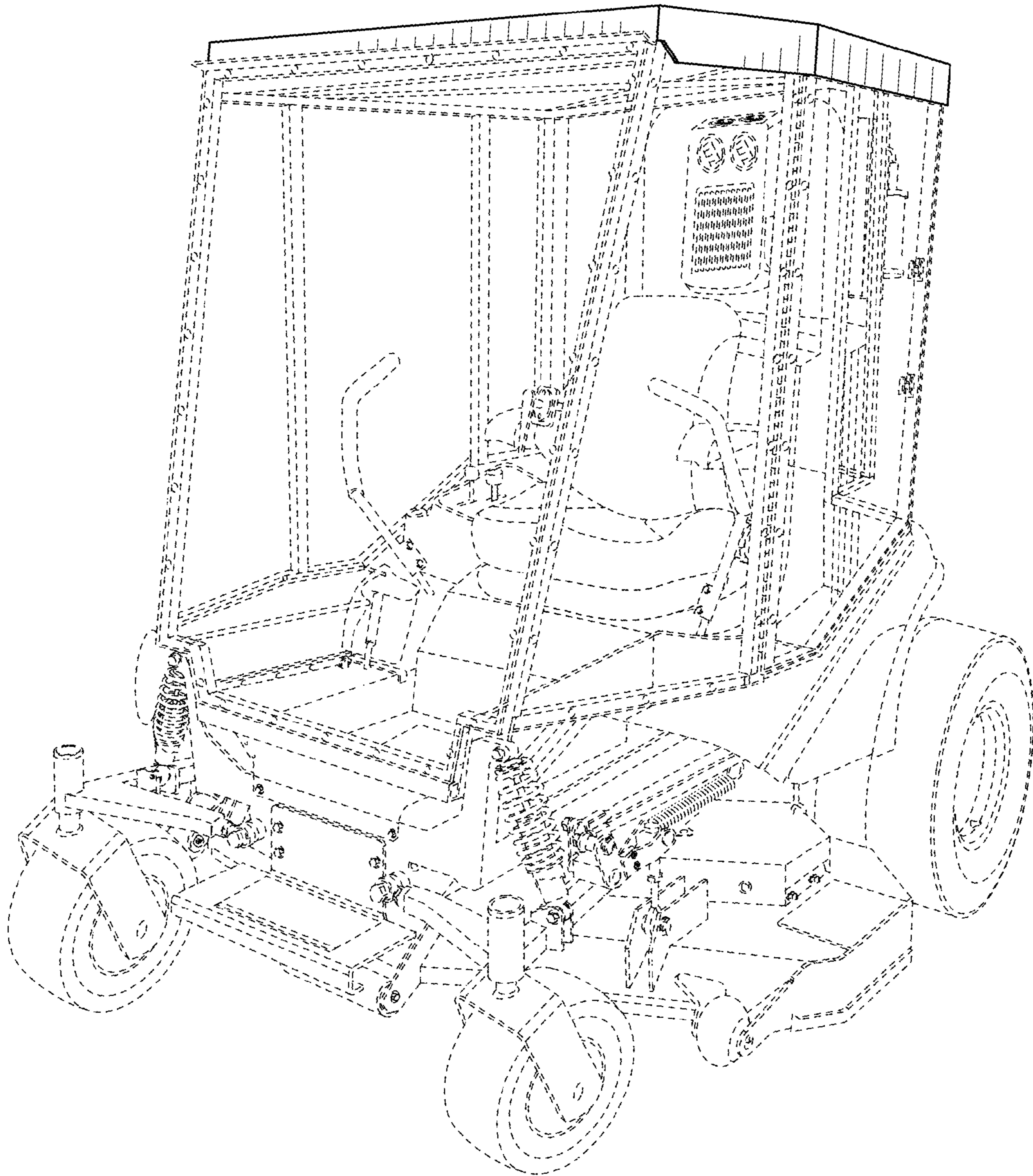


FIG. 1

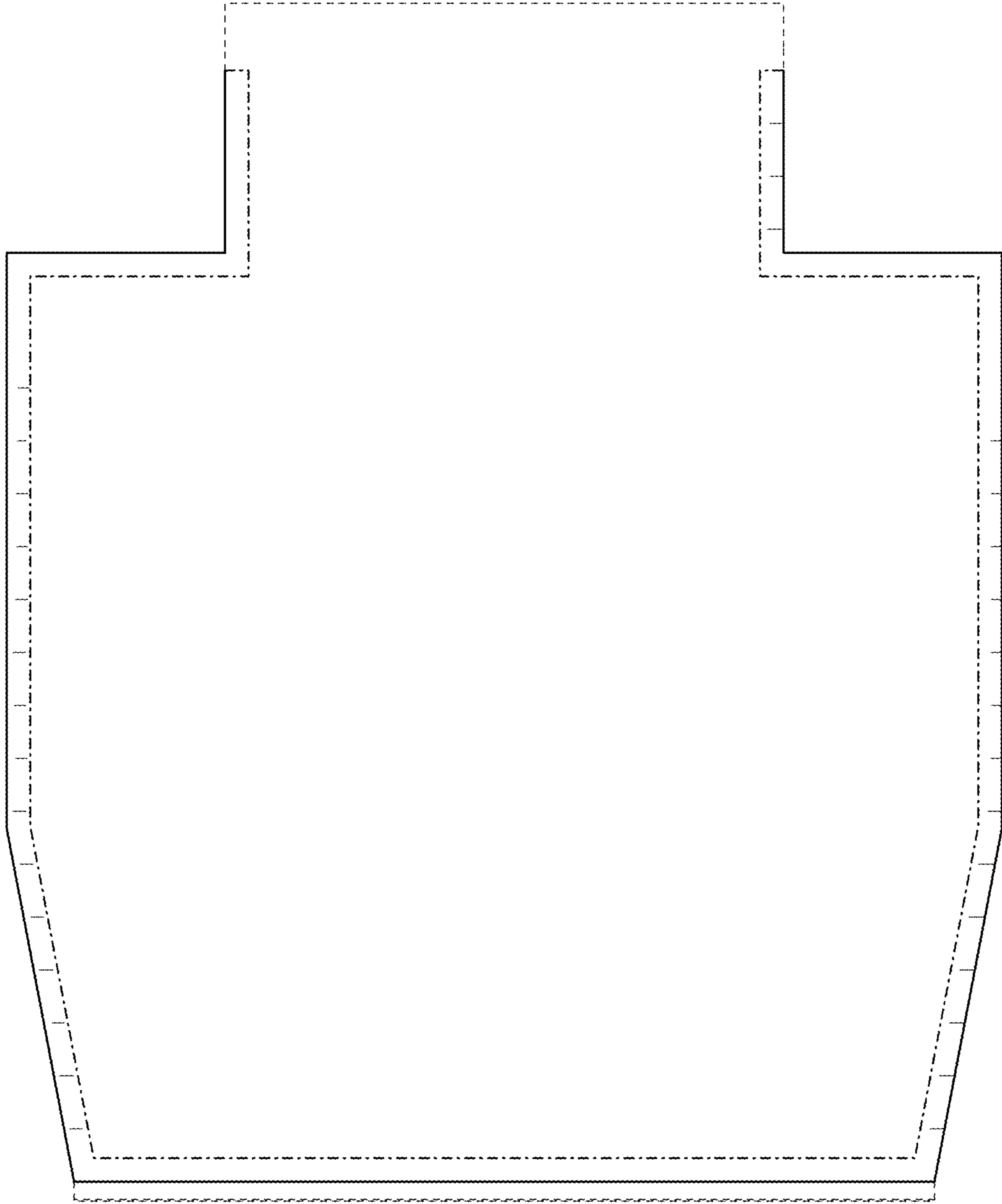


FIG. 2

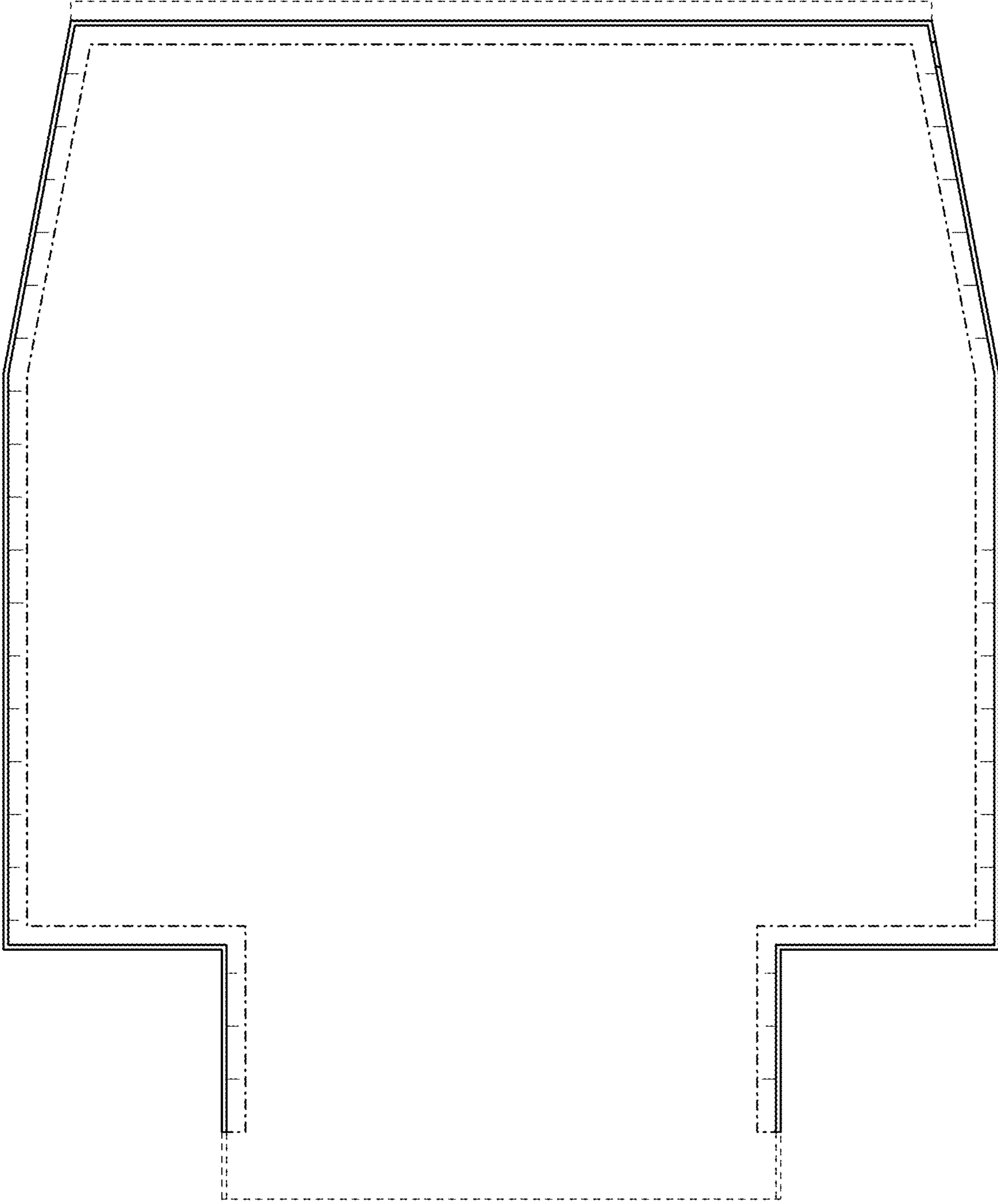


FIG. 3

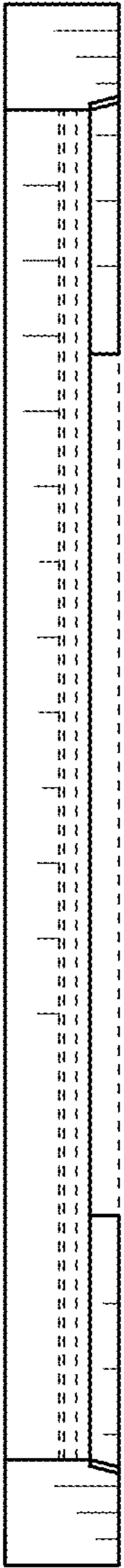


FIG. 4

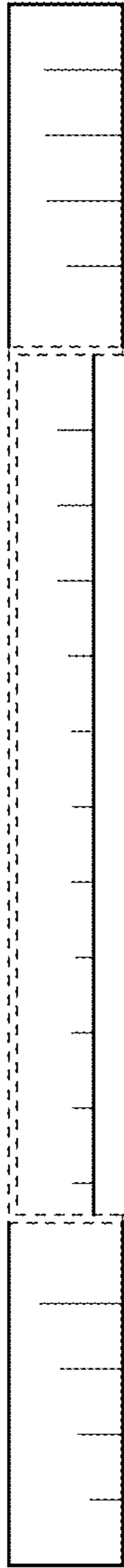


FIG. 5

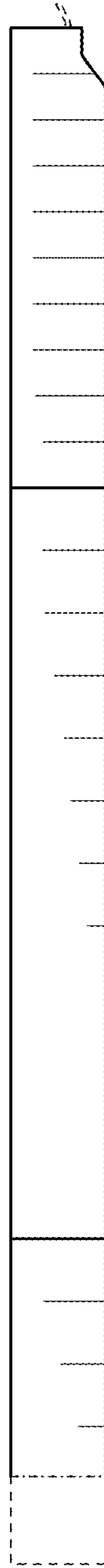


FIG. 6

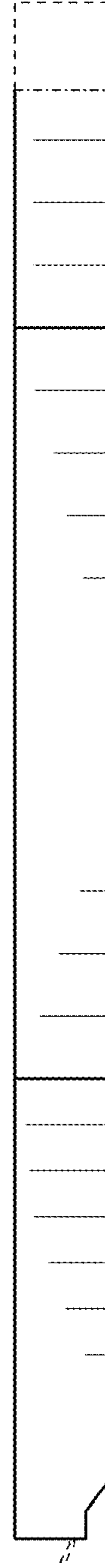


FIG. 7