



US00D882644S

(12) **United States Design Patent** (10) **Patent No.:** **US D882,644 S**  
**Bjerke et al.** (45) **Date of Patent:** **\*\* Apr. 28, 2020**

(54) **BUCKET SHROUD**  
(71) Applicant: **Caterpillar Inc.**, Deerfield, IL (US)

4,047,312 A 9/1977 Stepe  
D246,176 S \* 10/1977 Dahlberg ..... D15/32  
(Continued)

(72) Inventors: **Nathan Bjerke**, Peoria, IL (US);  
**Thomas Marshall Congdon**, Dunlap,  
IL (US); **Samuel August Buckholz**,  
Dunlap, IL (US)

FOREIGN PATENT DOCUMENTS

AU 139678 7/1999  
AU 143089 7/2000  
(Continued)

(73) Assignee: **Caterpillar Inc.**, Peoria, IL (US)

OTHER PUBLICATIONS

(\*\*) Term: **15 Years**

U.S. Appl. No. 62/148,992, filed Apr. 17, 2015. (Unpublished).  
(Continued)

(21) Appl. No.: **29/665,446**

(22) Filed: **Oct. 3, 2018**

(51) **LOC (12) Cl.** ..... **15-03**

(52) **U.S. Cl.**  
USPC ..... **D15/29**; D15/28

(58) **Field of Classification Search**  
USPC ..... D15/11, 28, 29; 37/456, 452, 450, 446,  
37/454, 449, 453, 455, 903; 403/379.5,  
403/DIG. 1; 111/152; 172/724, 730,  
172/766, 770, 771, 721, 713, 699, 772  
CPC ..... Y10T 29/49826; Y10T 403/589; Y10T  
403/7018; Y10T 403/7075; E02F 9/28;  
E02F 9/2825; E02F 9/2833; E02F 9/2866;  
E02F 9/2858; E02F 9/2808; E02F 9/2841  
See application file for complete search history.

*Primary Examiner* — Mark A Goodwin

(74) *Attorney, Agent, or Firm* — Saidman Design Law  
Group

(57) **CLAIM**

The ornamental design for a bucket shroud, as shown and  
described.

**DESCRIPTION**

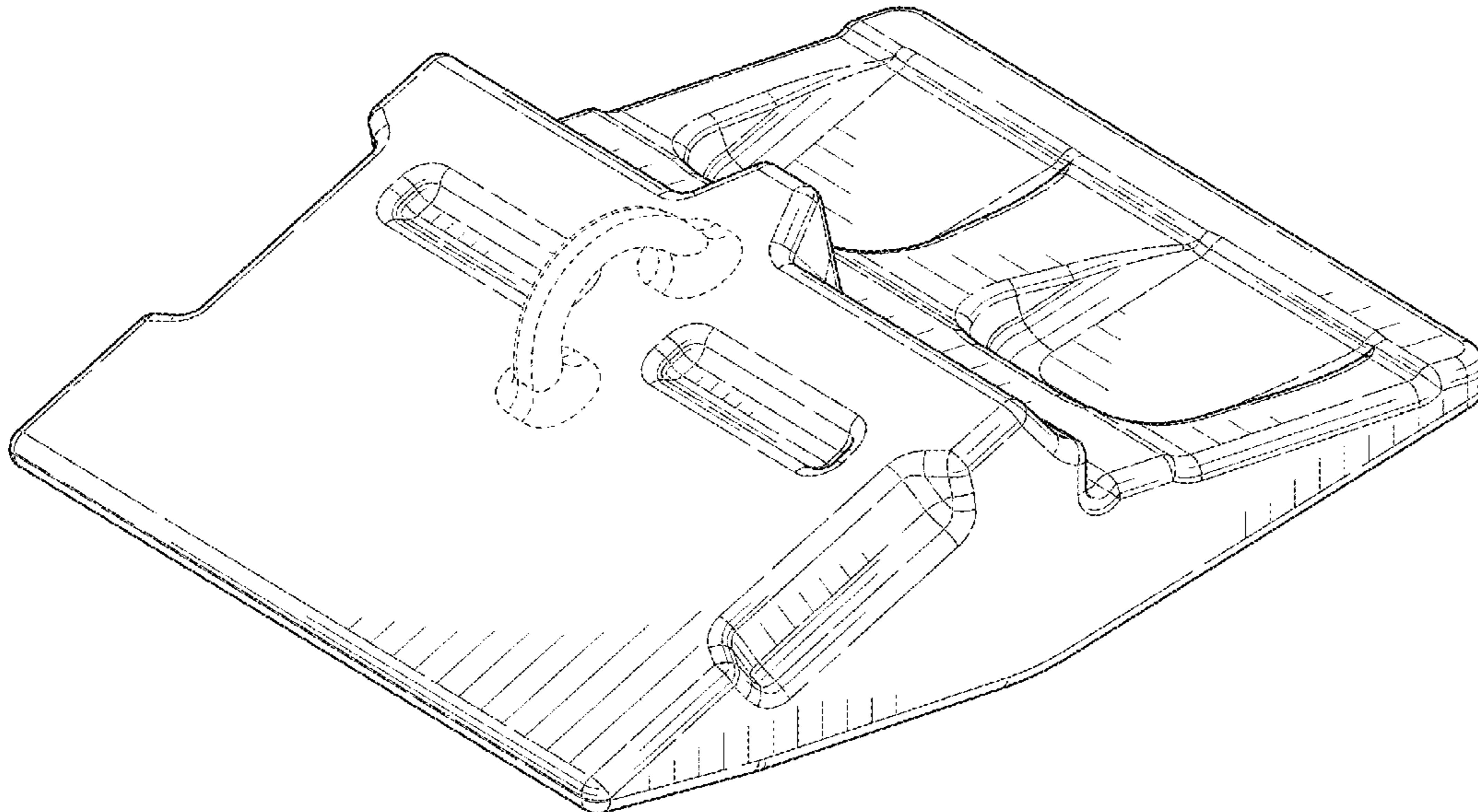
FIG. 1 is a front perspective view of a bucket shroud  
showing our new design;  
FIG. 2 is a bottom perspective view thereof;  
FIG. 3 is a front view thereof;  
FIG. 4 is a rear view thereof;  
FIG. 5 is a left side view thereof;  
FIG. 6 is a right side view thereof;  
FIG. 7 is a top view thereof; and,  
FIG. 8 is a bottom view thereof.  
The broken lines illustrate structure or features which form  
no part of the claimed design.  
The drawings include surface shading which represents  
contour and not surface ornamentation.

(56) **References Cited**

U.S. PATENT DOCUMENTS

1,959,847 A 5/1934 Buskirk  
2,256,488 A 9/1941 Murtaugh  
3,079,710 A 3/1963 Larsen et al.  
3,653,133 A 4/1972 Black et al.  
3,664,044 A 5/1972 Hahn  
D228,936 S 10/1973 Dahlberg et al.  
D241,264 S 8/1976 Dahlberg et al.  
D242,274 S 11/1976 Dahlberg et al.  
D245,780 S 9/1977 Dahlberg et al.

**1 Claim, 6 Drawing Sheets**



(56)

References Cited

U.S. PATENT DOCUMENTS

D251,431 S 3/1979 Klett et al.  
 4,231,173 A 11/1980 Davis  
 D284,010 S 5/1986 Voyce  
 4,980,980 A 1/1991 Schadov et al.  
 5,016,365 A 5/1991 Robinson  
 5,088,214 A 2/1992 Jones  
 D329,243 S 9/1992 Robinson  
 5,172,501 A \* 12/1992 Pippins ..... E02F 9/2825  
 37/453  
 D336,476 S 6/1993 Garman  
 D365,109 S 12/1995 Robinson et al.  
 D365,577 S 12/1995 Ruvang  
 5,515,625 A 5/1996 Keigley  
 5,553,409 A 9/1996 Irving  
 D378,006 S 2/1997 Clendenning  
 D381,484 S 7/1997 Clendenning  
 5,709,043 A 1/1998 Jones et al.  
 5,765,301 A 6/1998 Clendenning  
 D406,153 S 2/1999 Holzer et al.  
 D417,877 S 12/1999 Launder et al.  
 6,047,487 A 4/2000 Clendenning  
 6,230,424 B1 5/2001 Renski et al.  
 6,385,871 B1 5/2002 Quarfordt  
 D458,614 S \* 6/2002 Esterhuysen ..... D15/29  
 6,457,268 B1 10/2002 Perry et al.  
 6,457,269 B1 10/2002 Esterhuysen et al.  
 D478,599 S 8/2003 Zaayman et al.  
 6,735,891 B2 5/2004 Pallas Moreno et al.  
 6,745,503 B1 6/2004 Pallas Moreno et al.  
 6,952,892 B1 10/2005 Bierwith  
 6,990,760 B1 1/2006 Zaayman et al.  
 6,993,861 B2 2/2006 Carpenter et al.  
 D522,536 S \* 6/2006 Oh ..... D15/29  
 7,080,470 B2 7/2006 Jones  
 D537,846 S 3/2007 Block  
 D541,311 S \* 4/2007 Oh ..... D15/29  
 7,219,454 B2 5/2007 Maher  
 7,266,914 B2 9/2007 Grant  
 D554,157 S 10/2007 Renski  
 D554,159 S \* 10/2007 Boggs ..... D15/32  
 7,275,338 B2 10/2007 LaHood  
 D562,356 S \* 2/2008 Watanabe ..... D15/28  
 D567,825 S 4/2008 Clendenning et al.  
 D567,826 S 4/2008 Clendenning et al.  
 D567,827 S 4/2008 Clendenning et al.  
 7,367,144 B2 5/2008 Jones et al.  
 D576,644 S 9/2008 Clendenning et al.  
 7,451,558 B2 11/2008 Jones  
 D602,505 S 10/2009 Ruvang  
 D623,671 S 9/2010 Bolyard  
 7,793,444 B2 9/2010 Jones et al.  
 D624,943 S 10/2010 Gibbon  
 D631,490 S 1/2011 Drager et al.  
 D643,049 S 8/2011 Nickels et al.  
 8,024,874 B2 9/2011 McClanahan et al.  
 D656,522 S \* 3/2012 Elliott ..... D15/32  
 8,347,530 B2 1/2013 Clendenning et al.  
 D676,065 S \* 2/2013 Attwood ..... D15/28  
 D676,066 S \* 2/2013 Attwood ..... D15/28  
 D676,067 S \* 2/2013 Attwood ..... D15/28  
 D676,465 S \* 2/2013 Attwood ..... D15/28  
 D678,361 S 3/2013 Attwood et al.  
 8,572,870 B2 11/2013 Kudo et al.  
 D706,307 S 6/2014 Renski et al.  
 D706,312 S 6/2014 Renski et al.  
 D706,840 S 6/2014 Renski et al.  
 D707,264 S 6/2014 Renski et al.  
 8,925,220 B2 1/2015 Stangeland et al.  
 D727,367 S 4/2015 Renski et al.  
 D727,369 S 4/2015 Renski et al.  
 D728,635 S 5/2015 Kunz  
 D728,636 S 5/2015 Kunz  
 D728,637 S 5/2015 Kunz  
 D741,375 S 10/2015 Hooijmans  
 D741,918 S 10/2015 Hooijmans

D749,147 S 2/2016 Kunz  
 9,260,839 B2 2/2016 Kunz  
 D751,610 S 3/2016 Serrurier et al.  
 9,315,972 B2 4/2016 Anisy et al.  
 9,404,240 B2 8/2016 Kunz  
 D766,994 S 9/2016 Kunz  
 D767,647 S 9/2016 Kunz  
 D769,946 S 10/2016 Kunz  
 9,518,379 B2 12/2016 Kunz  
 D779,566 S 2/2017 Cronk  
 D788,182 S \* 5/2017 Serrurier ..... D15/28  
 9,644,348 B2 5/2017 Balan et al.  
 D790,601 S 6/2017 Balan et al.  
 D790,604 S 6/2017 Balan et al.  
 D797,162 S 9/2017 Kunz  
 D797,163 S 9/2017 Kunz  
 D801,397 S 10/2017 Balan et al.  
 D805,112 S 12/2017 Serrurier et al.  
 D805,562 S 12/2017 Serrurier et al.  
 D806,139 S 12/2017 Serrurier et al.  
 D806,140 S 12/2017 Serrurier et al.  
 D806,141 S 12/2017 Serrurier et al.  
 D806,142 S 12/2017 Serrurier et al.  
 D806,759 S 1/2018 Serrurier et al.  
 9,856,629 B1 1/2018 Kunz  
 D832,309 S 10/2018 Balan et al.  
 2003/0024139 A1 2/2003 Jones et al.  
 2004/0107608 A1 6/2004 Meyers et al.  
 2004/0216335 A1 11/2004 Jones  
 2006/0117613 A1 6/2006 Jones et al.  
 2008/0092413 A1 4/2008 McClanahan et al.  
 2009/0282711 A1 11/2009 Naher et al.  
 2012/0304508 A1 12/2012 Guimaraes et al.  
 2013/0008062 A1 1/2013 Guimaraes et al.  
 2013/0185964 A1 7/2013 Anisy et al.  
 2013/0318840 A1 12/2013 Ollinger, IV et al.  
 2014/0082976 A1 3/2014 Vicq et al.  
 2014/0082977 A1 3/2014 Pilon  
 2014/0173949 A1 6/2014 Karlsson et al.  
 2015/0211215 A1 7/2015 Dallard et al.  
 2015/0247306 A1 9/2015 Kunz  
 2016/0356024 A1 12/2016 Gandy  
 2017/0073938 A1 3/2017 Bjerke et al.  
 2018/0363274 A1 12/2018 Kunz  
 2018/0363275 A1 12/2018 Kunz

FOREIGN PATENT DOCUMENTS

CL 199502068 10/1996  
 CL 199800391 11/1998  
 CL 199901193 10/1999  
 CL 199900223 11/1999  
 CL 199901457 12/1999  
 CL 199901583 6/2000  
 CL 200501785 7/2005  
 CL 200503115 9/2006  
 CL 200503116 9/2006  
 CL 200800173 8/2008  
 CL 200800174 8/2008  
 CL 200802524 1/2009  
 CL 200801735 5/2009  
 CL 200801764 7/2009  
 CL 200602263 8/2010  
 CL 201000618 11/2010  
 CL 201000739 12/2010  
 CL 201200732 3/2012  
 CL 201200733 3/2012  
 CL 201200291 11/2012  
 CL 201302335 8/2013  
 CL 201400896 8/2014  
 CL 201503078 4/2016  
 CL 201700123 5/2017  
 CL 201700124 5/2017  
 CL 201701496 3/2018  
 CL 201701497 3/2018  
 CL 201701498 3/2018  
 CL 201701499 3/2018

(56)

**References Cited**

FOREIGN PATENT DOCUMENTS

CL	201800157	7/2018
CL	201800175	8/2018
WO	WO 2007/016719 A1	2/2007

OTHER PUBLICATIONS

U.S. Appl. No. 62/149,077, filed Apr. 17, 2015. (Unpublished).  
U.S. Appl. No. 62/149,161, filed Apr. 17, 2015. (Unpublished).  
U.S. Appl. No. 62/149,229, filed Apr. 17, 2015. (Unpublished).  
U.S. Appl. No. 29/611,467, filed Jul. 21, 2017. (Unpublished).  
U.S. Appl. No. 29/621,761, filed Oct. 11, 2017. (Unpublished).  
U.S. Appl. No. 29/621,766, filed Oct. 11, 2017. (Unpublished).  
U.S. Appl. No. 29/665,450, filed Oct. 3, 2018. (Unpublished).  
U.S. Appl. No. 29/665,456, filed Oct. 3, 2018. (Unpublished).  
U.S. Appl. No. 29/669,677, filed Nov. 9, 2018. (Unpublished).

\* cited by examiner

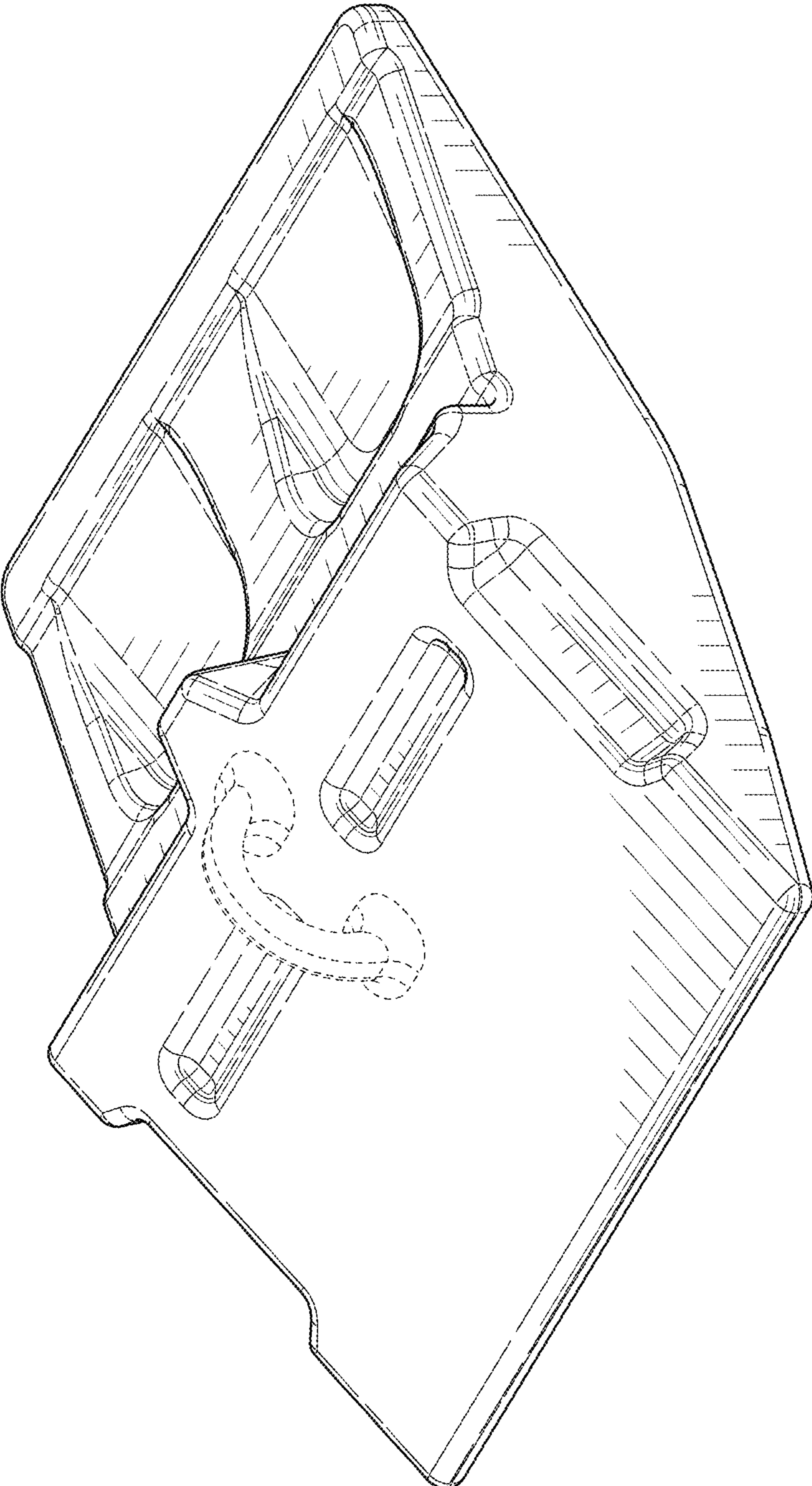


FIG. 1

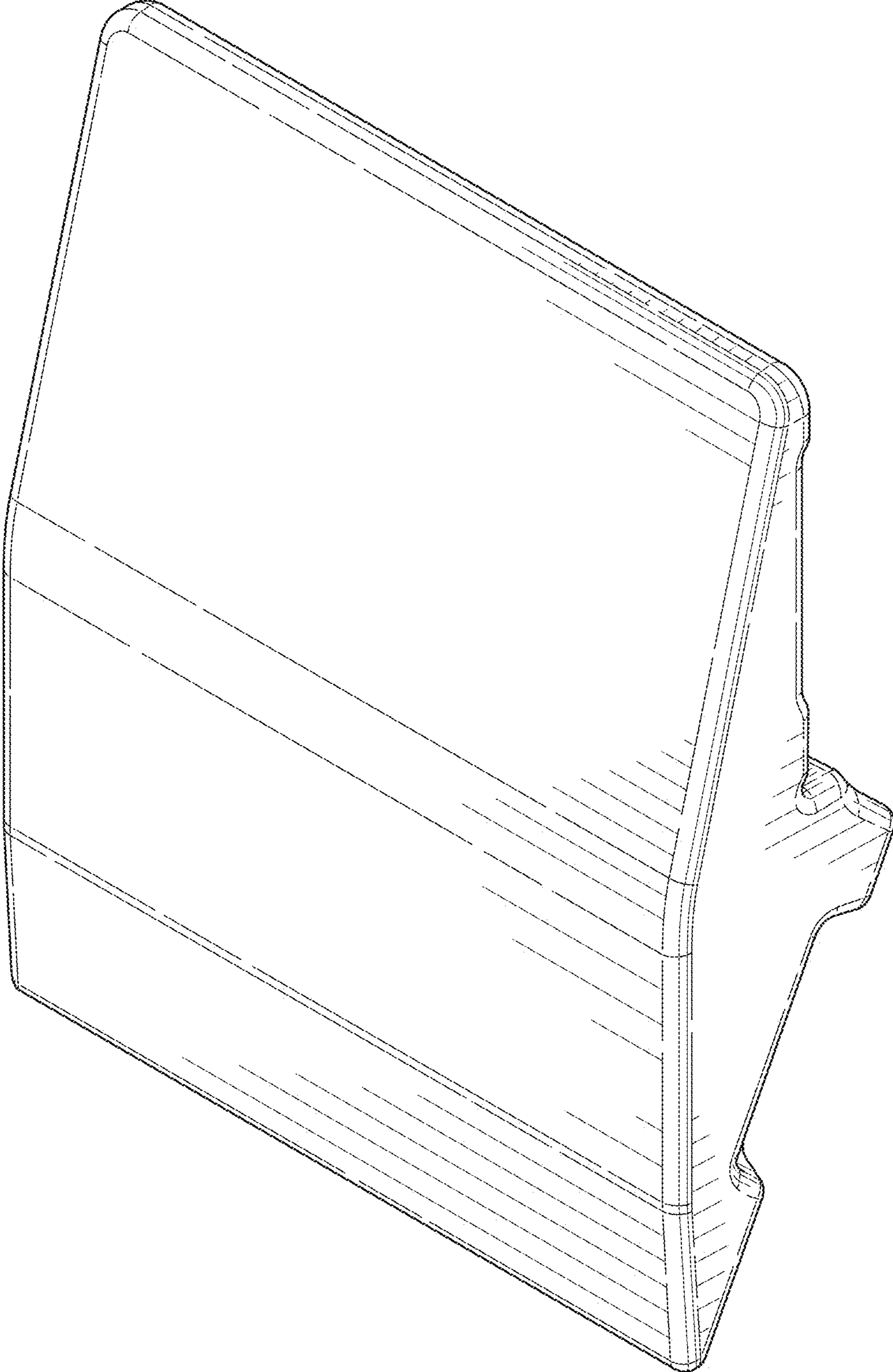


FIG. 2

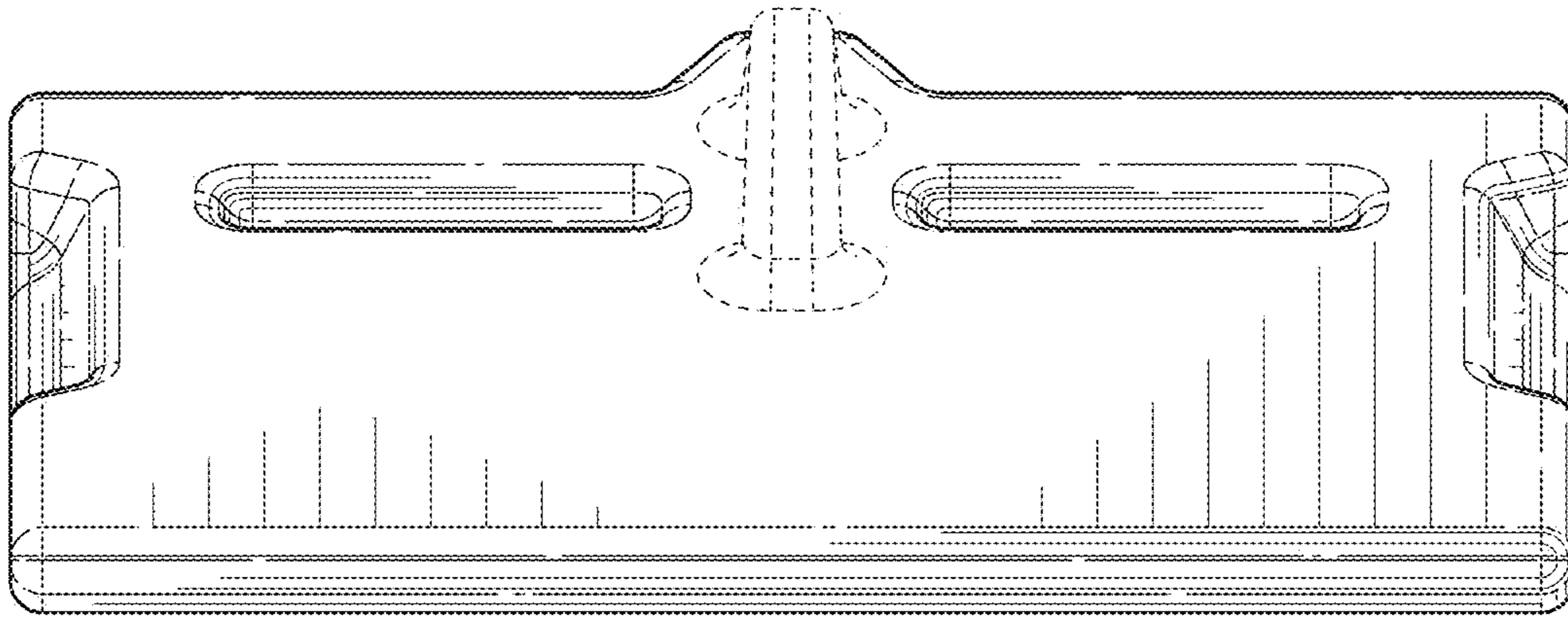


FIG. 3

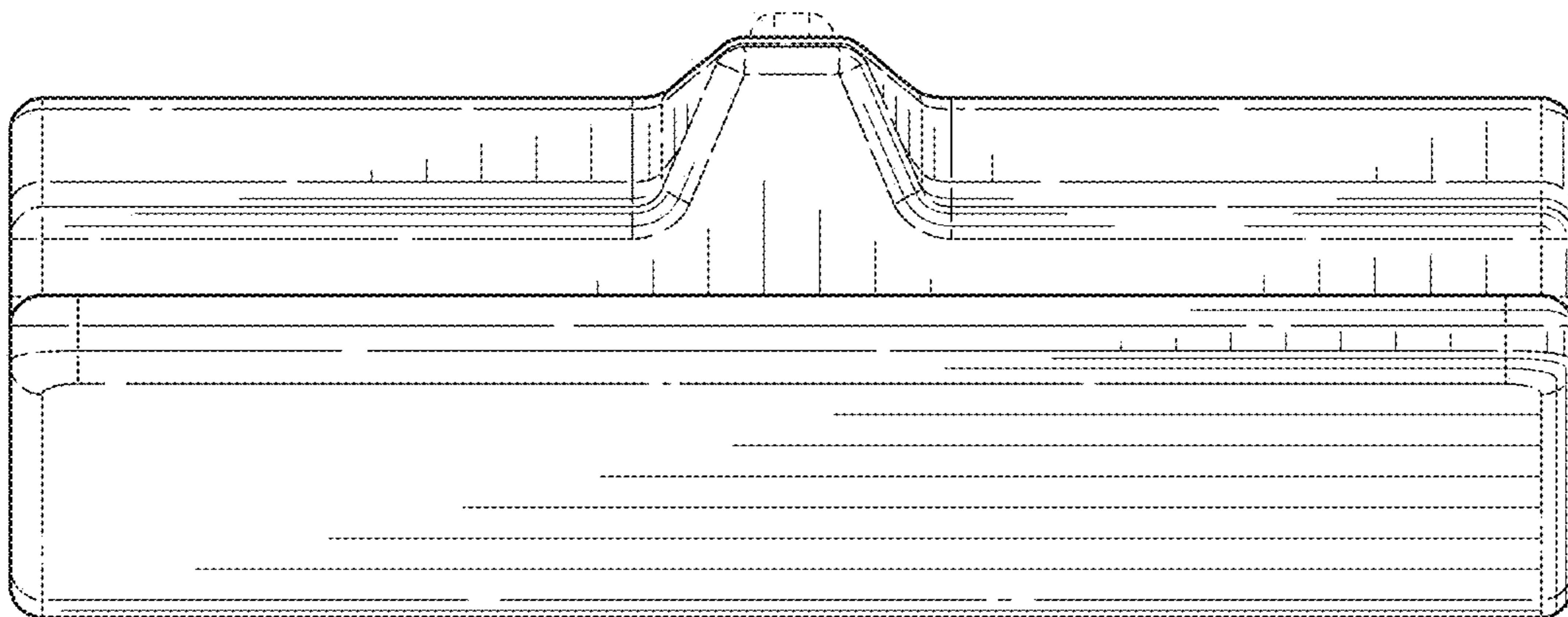


FIG. 4

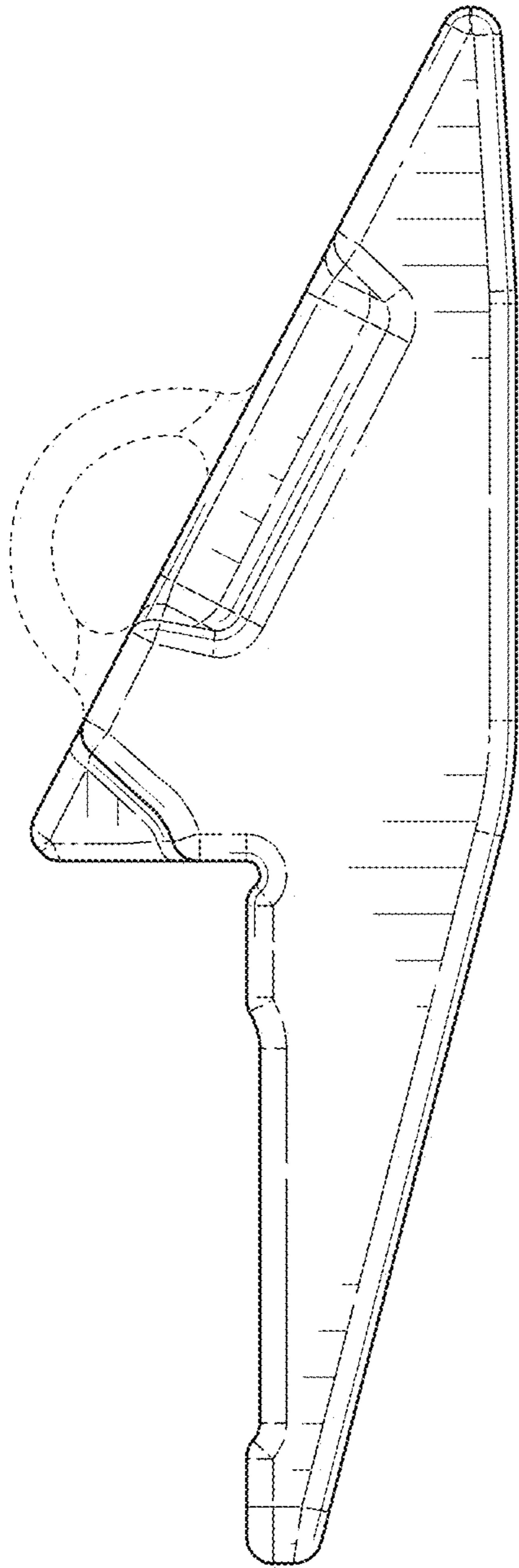


FIG. 5

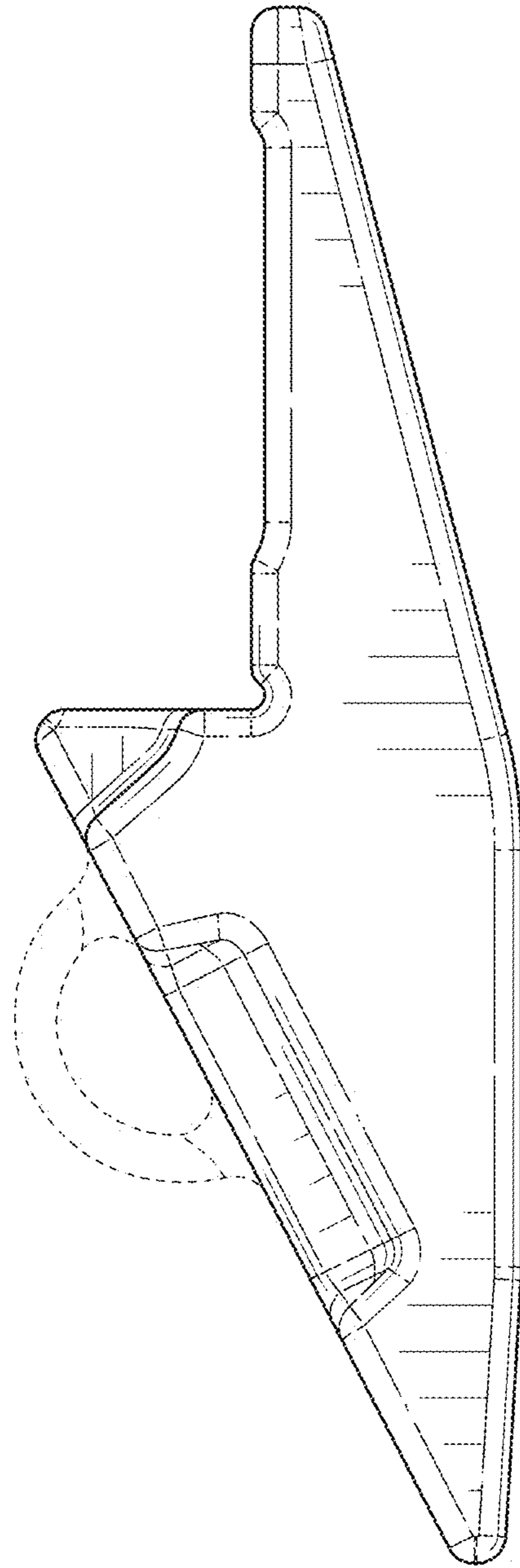


FIG. 6

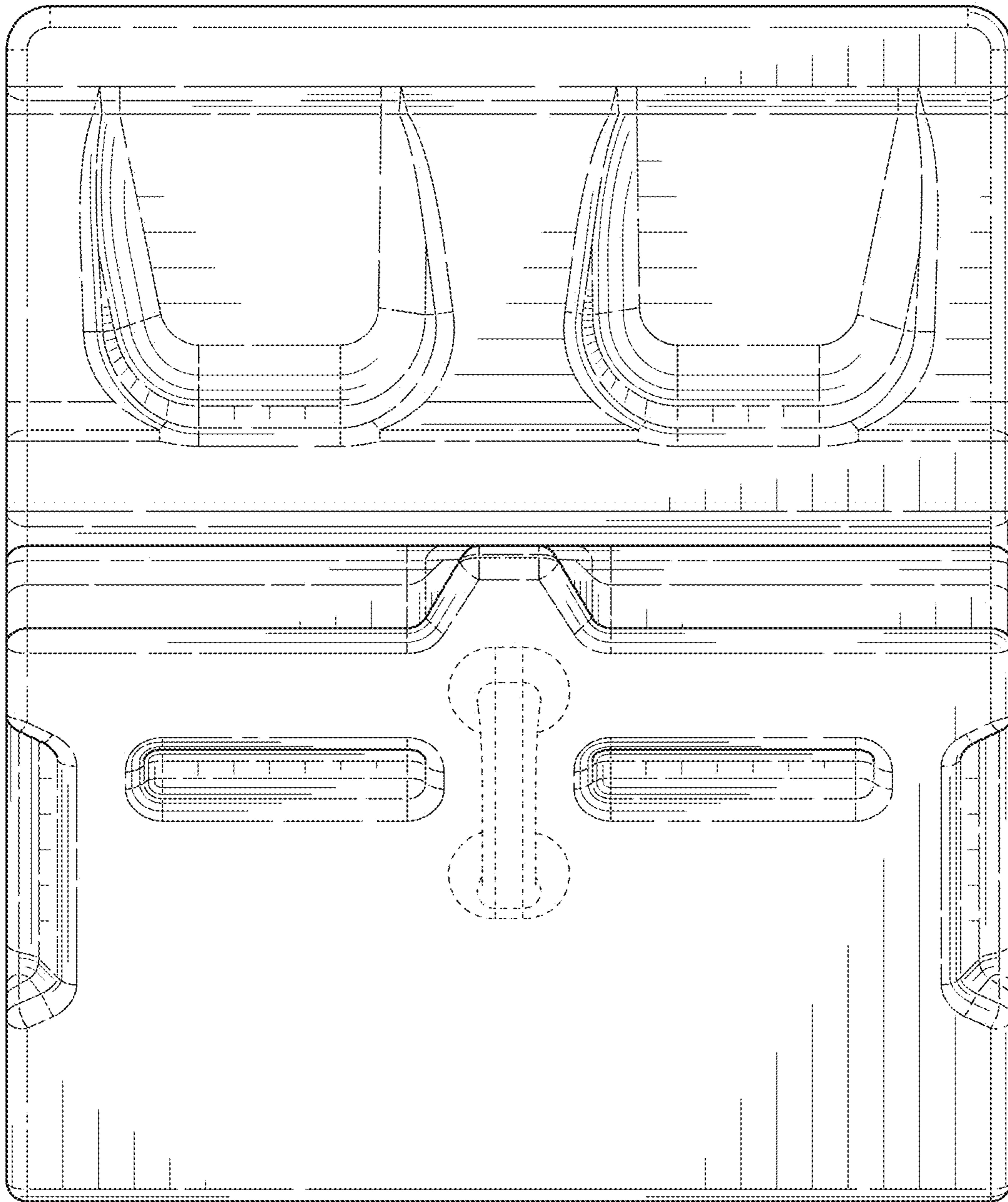


FIG. 7



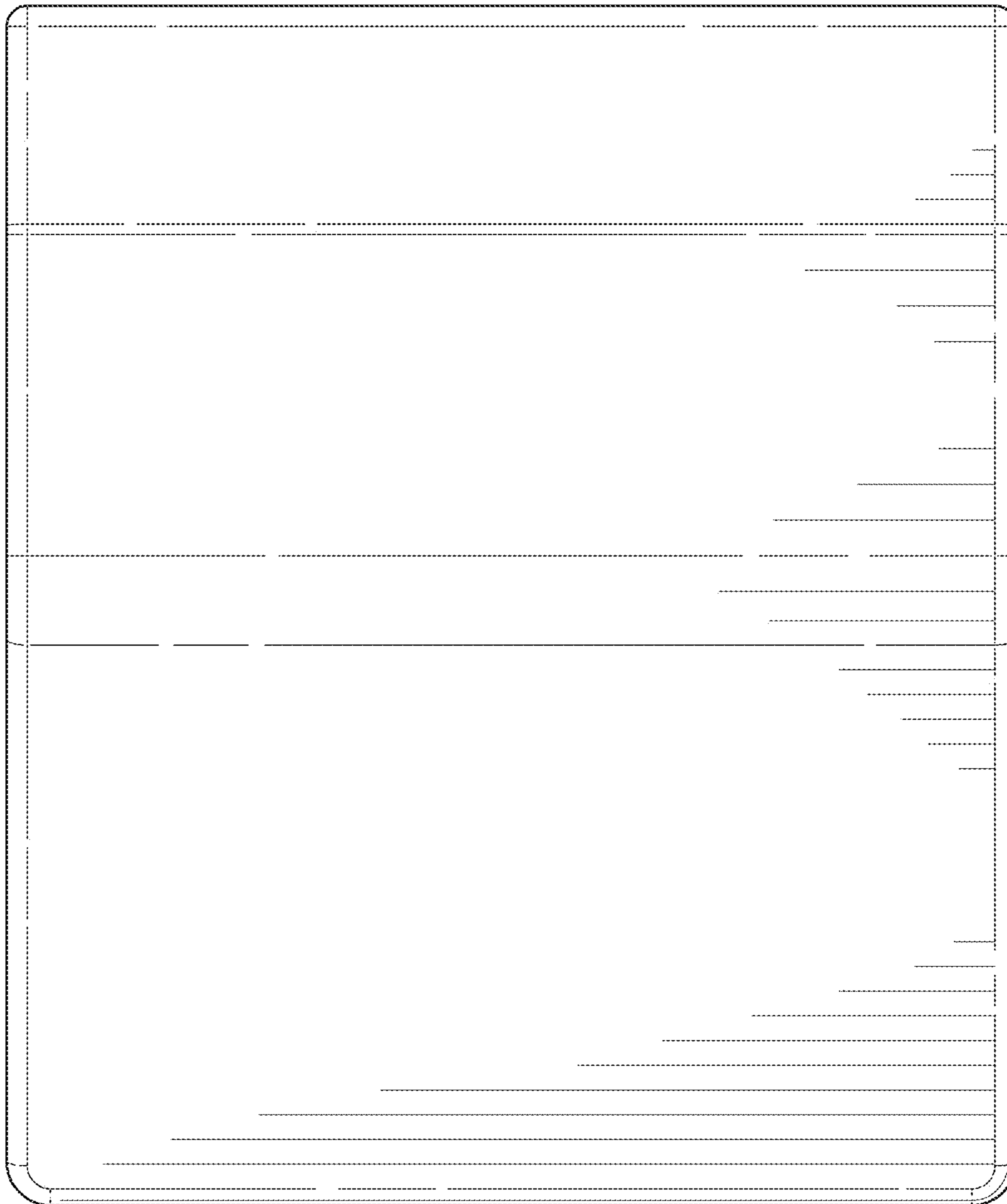


FIG. 8