



US00D882642S

(12) **United States Design Patent** (10) **Patent No.:** **US D882,642 S**
Demiter et al. (45) **Date of Patent:** **** Apr. 28, 2020**

(54) **DISPLAY WITH LIGHTBAR FOR VEHICLE GUIDANCE**

(71) Applicant: **Ag Leader Technology, Inc.**, Ames, IA (US)

(72) Inventors: **Roger Demiter**, Ames, IA (US); **Travis Campbell**, Ames, IA (US); **Brett Johnson**, Ames, IA (US)

(73) Assignee: **Ag Leader Technology, Inc.**, Ames, IA (US)

(**) Term: **15 Years**

(21) Appl. No.: **29/677,943**

(22) Filed: **Jan. 24, 2019**

Related U.S. Application Data

(62) Division of application No. 29/569,845, filed on Jun. 30, 2016, now Pat. No. Des. 845,355.

(51) **LOC (12) Cl.** **15-03**

(52) **U.S. Cl.**
USPC **D15/28**

(58) **Field of Classification Search**
USPC D15/28; D13/162, 164, 168; D14/217, D14/396, 400; D34/34, 35; 318/700, 318/701; 180/315, 316, 325, 19.1, 19.3, 180/90; 361/679, 680, 690; 700/90, 160, 700/17, 83; 296/70; 280/43.12, 752
(Continued)

(56) **References Cited**

U.S. PATENT DOCUMENTS

6,247,768 B1 6/2001 Yamaguchi
D446,193 S 8/2001 Lavelle et al.
(Continued)

FOREIGN PATENT DOCUMENTS

CN 202266937 U 6/2012

OTHER PUBLICATIONS

“Topcon X30 Seeding Controller.” Air Seeders and Tillage-Simplicity Australia, (c) 2015 Simplicity Australia—Manufactures of Australia’s Favourite Airseeder, www.simplicityaus.com.au/controller_topcon.htm. (2 pages).

(Continued)

Primary Examiner — Mark A Goodwin

(74) *Attorney, Agent, or Firm* — Goodhue, Coleman & Owens, P.C.

(57) **CLAIM**

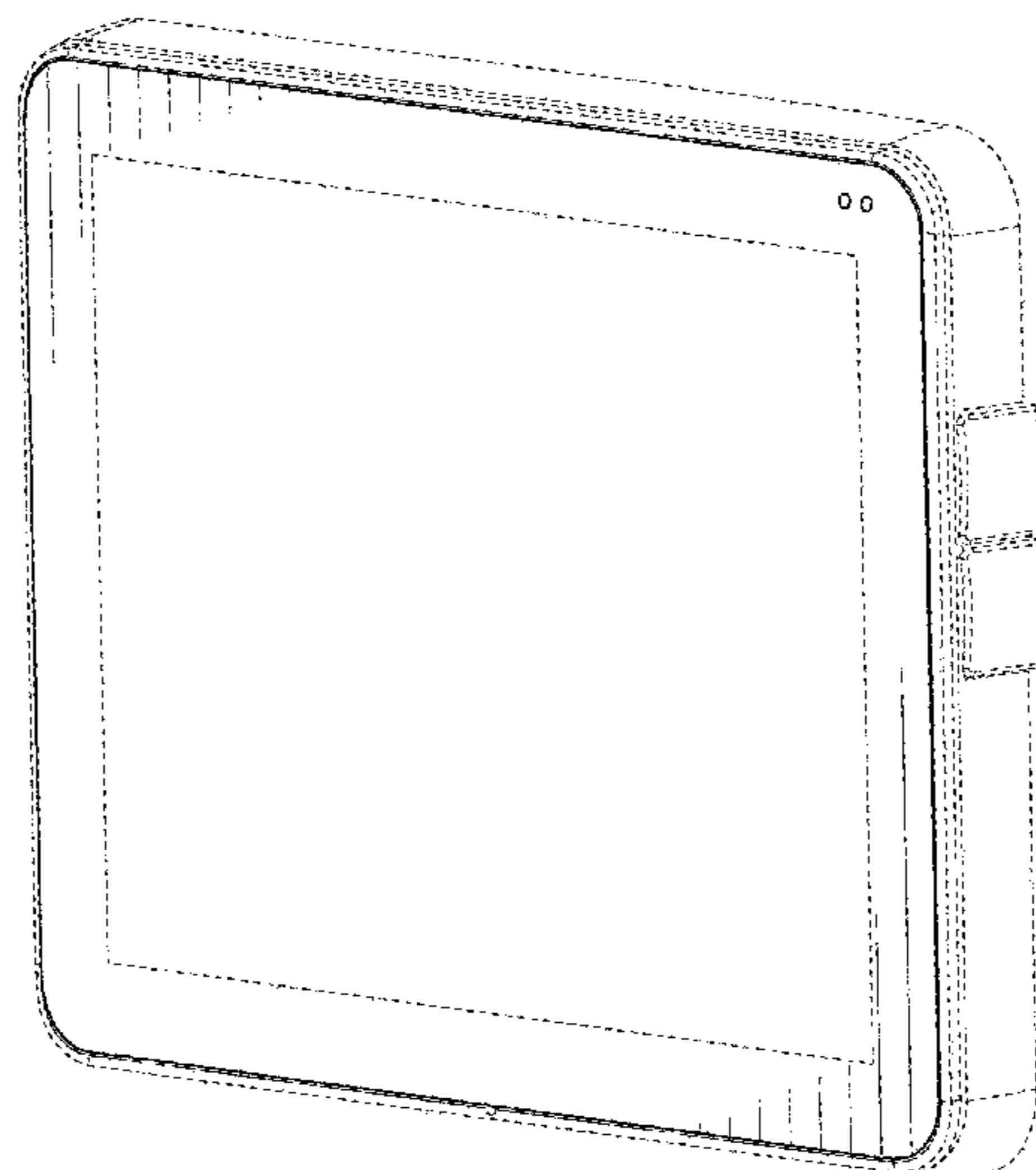
The ornamental design for display with lightbar for vehicle guidance, as shown and described.

DESCRIPTION

FIG. 1 is a perspective view of a display with lightbar for vehicle guidance in accordance with the present invention; FIG. 2 is a top view thereof; FIG. 3 is a bottom view thereof; FIG. 4 is a left side view thereof; FIG. 5 is a right side view thereof; FIG. 6 is a rear view thereof; FIG. 7 is a front view thereof; FIG. 8 is a front view thereof and in a condition of use; FIG. 9 is a front view thereof and in another condition of use; FIG. 10 is a front view thereof and in another condition of use; FIG. 11 is a front view thereof and in another condition of use; FIG. 12 is a front view thereof and in another condition of use; and, FIG. 13 is a front view thereof and in another condition of use.

The broken lines in the Figures show portions of the display with lightbar for vehicle guidance and environment which form no part of the claimed design.

1 Claim, 10 Drawing Sheets



(58) **Field of Classification Search**
 CPC B62D 33/06; B60K 26/00; B60K 37/00
 See application file for complete search history.

(56) **References Cited**

U.S. PATENT DOCUMENTS

6,463,930	B2	10/2002	Biondi et al.
6,567,747	B1	5/2003	Lange et al.
D504,687	S	5/2005	Lee et al.
D513,497	S	1/2006	Whitehouse
D520,386	S	5/2006	Takach et al.
D521,002	S	5/2006	Rinna et al.
D590,122	S	4/2009	Shaw et al.
D651,220	S	12/2011	Ohtonen
D659,343	S	5/2012	Saitou et al.
D669,075	S	10/2012	Seo
8,409,124	B2	4/2013	Steffens et al.
D685,397	S	7/2013	Anderson et al.
D685,398	S	7/2013	Graham et al.
D689,443	S	9/2013	Ewringmann
D690,275	S	9/2013	Seidl et al.
D690,325	S	9/2013	Scott et al.
D690,326	S	9/2013	Scott et al.
D694,195	S	11/2013	Gammon et al.
D710,785	S	8/2014	Jacobsthal et al.
D715,798	S	10/2014	Cruz et al.
D716,298	S	10/2014	Cruz et al.
D721,740	S	1/2015	Schmaltz et al.
D727,246	S	4/2015	Sachtleben et al.
D731,560	S	6/2015	Schmaltz et al.
D748,566	S	2/2016	Jacobsthal et al.
D750,021	S	2/2016	Gao et al.
D761,327	S	7/2016	Schmaltz et al.
D763,929	S	8/2016	Schmaltz et al.

9,497,898	B2	11/2016	Dillon
9,575,507	B1	2/2017	Jones et al.
D801,968	S	11/2017	Johnson et al.
D811,444	S	2/2018	Chia et al.
D811,445	S	2/2018	Chia et al.
D811,446	S	2/2018	Chia et al.
D811,447	S	2/2018	Schauf et al.
D826,287	S	8/2018	Johnson
2002/0063909	A1	5/2002	Chino
2002/0072851	A1	6/2002	Ahearn et al.
2005/0171693	A1	8/2005	Lange et al.
2005/0194163	A1	9/2005	Wray
2008/0269956	A1	10/2008	Dix et al.
2008/0283603	A1	11/2008	Barron et al.
2010/0023229	A1	1/2010	Chiocco
2012/0154408	A1	6/2012	Yukawa et al.
2012/0206050	A1	8/2012	Spero
2012/0229332	A1	9/2012	Vollath et al.
2014/0379868	A1	12/2014	Nault et al.
2015/0158245	A1	6/2015	Jarvis et al.
2016/0041672	A1	2/2016	Hoen et al.
2016/0041803	A1	2/2016	Markov et al.
2016/0161070	A1	6/2016	Ellis
2016/0257248	A1	9/2016	Lisseman et al.
2016/0305085	A1	10/2016	Ranew
2017/0131959	A1	5/2017	Federico et al.
2017/0322656	A1	11/2017	Demiter et al.
2018/0029534	A1	2/2018	Wind et al.

OTHER PUBLICATIONS

Samsung Galaxy S3 Smartphone (1 page).
 Topcon, topconpa.com: "Precision Agriculture Solutions" (2014), p. 1-40.
 www.trimble.com/agriculture, "CGX-750 Display", (2010-2014), p. 1-2.

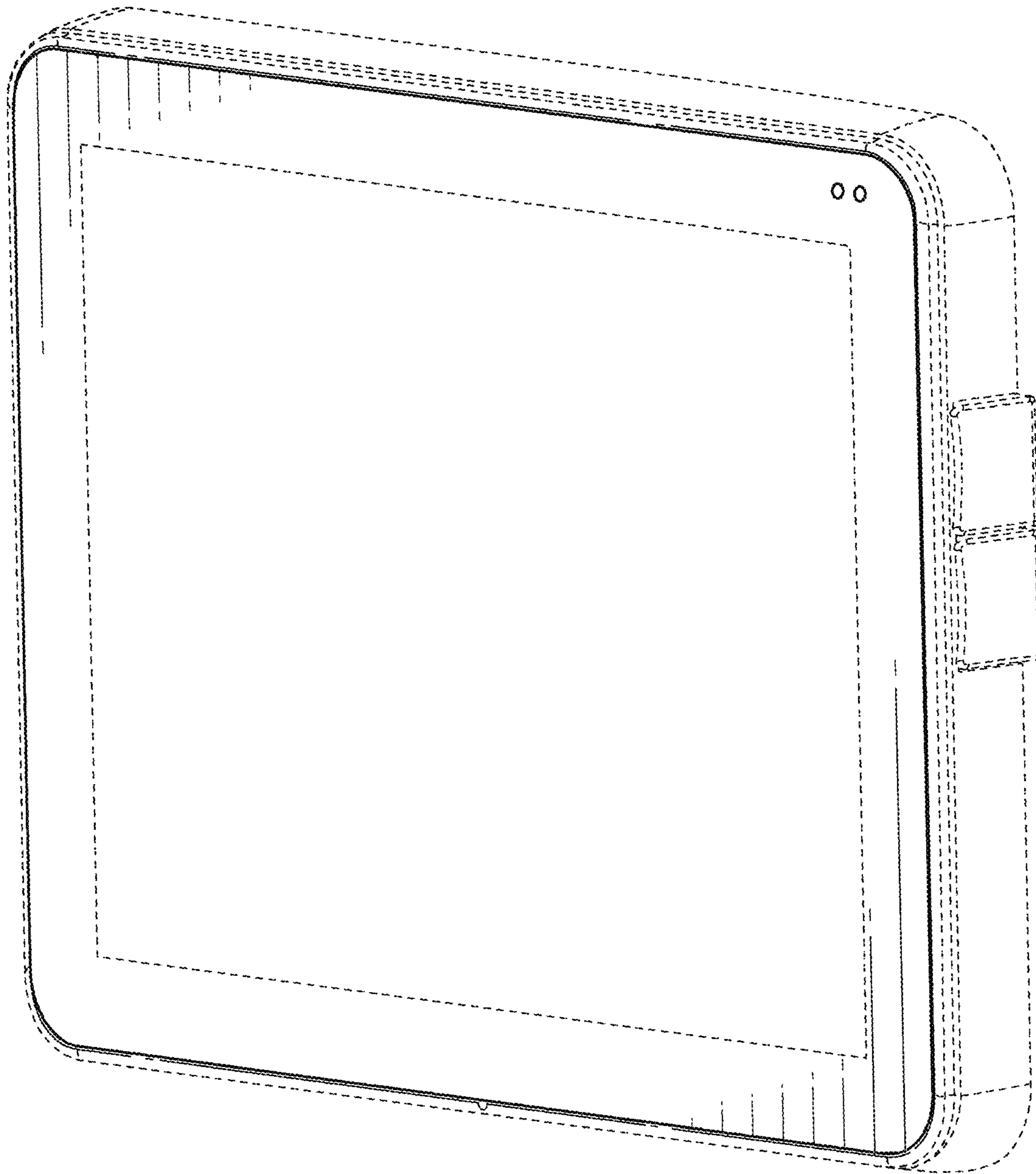


FIG. 1

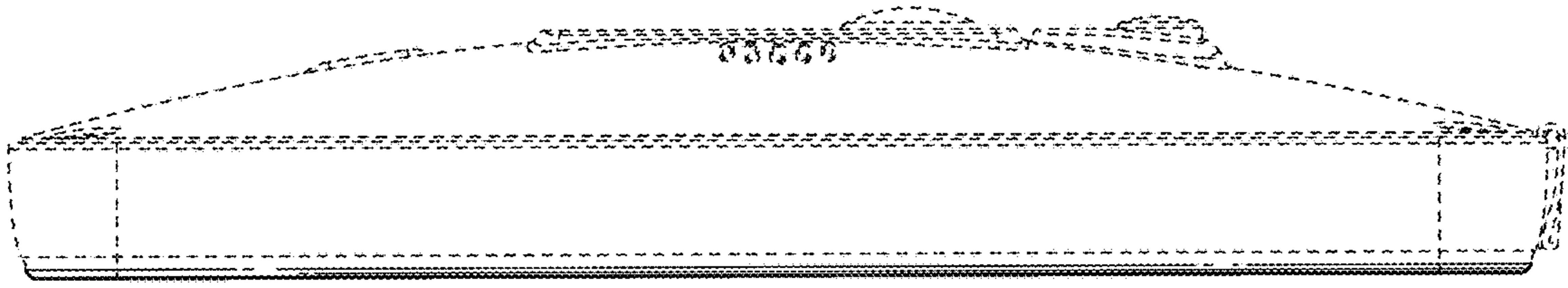


FIG. 2

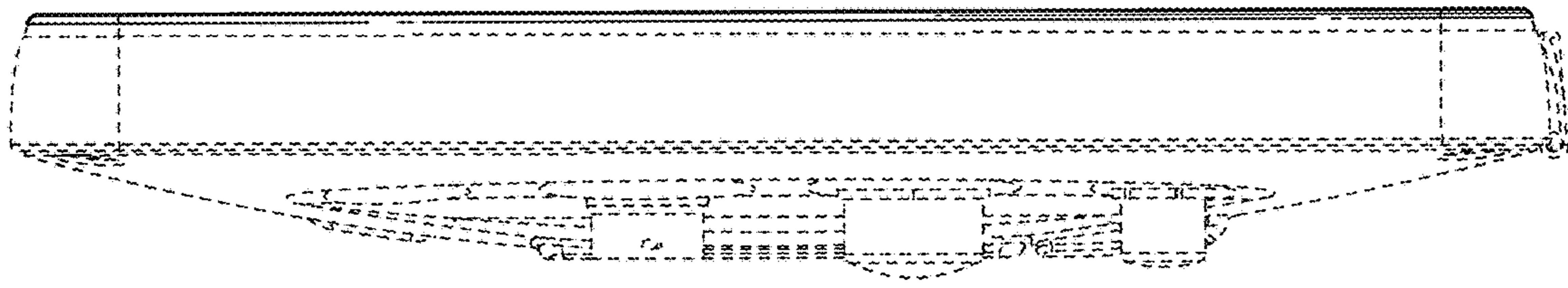


FIG. 3

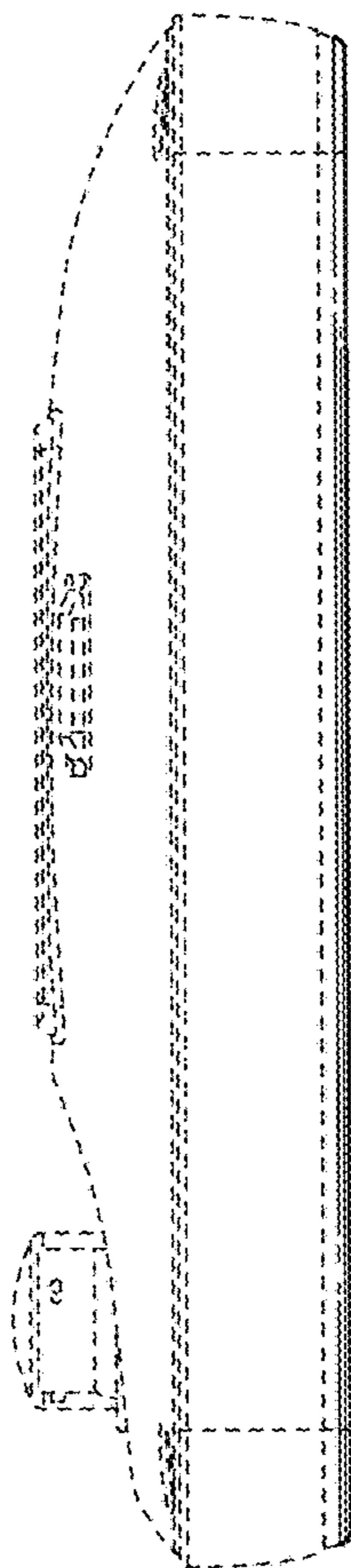


FIG. 4

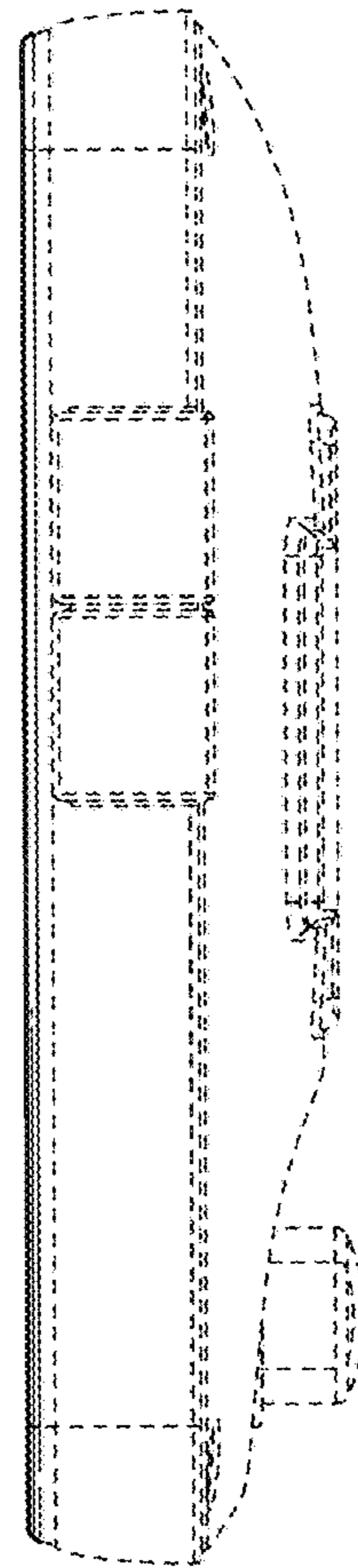


FIG. 5

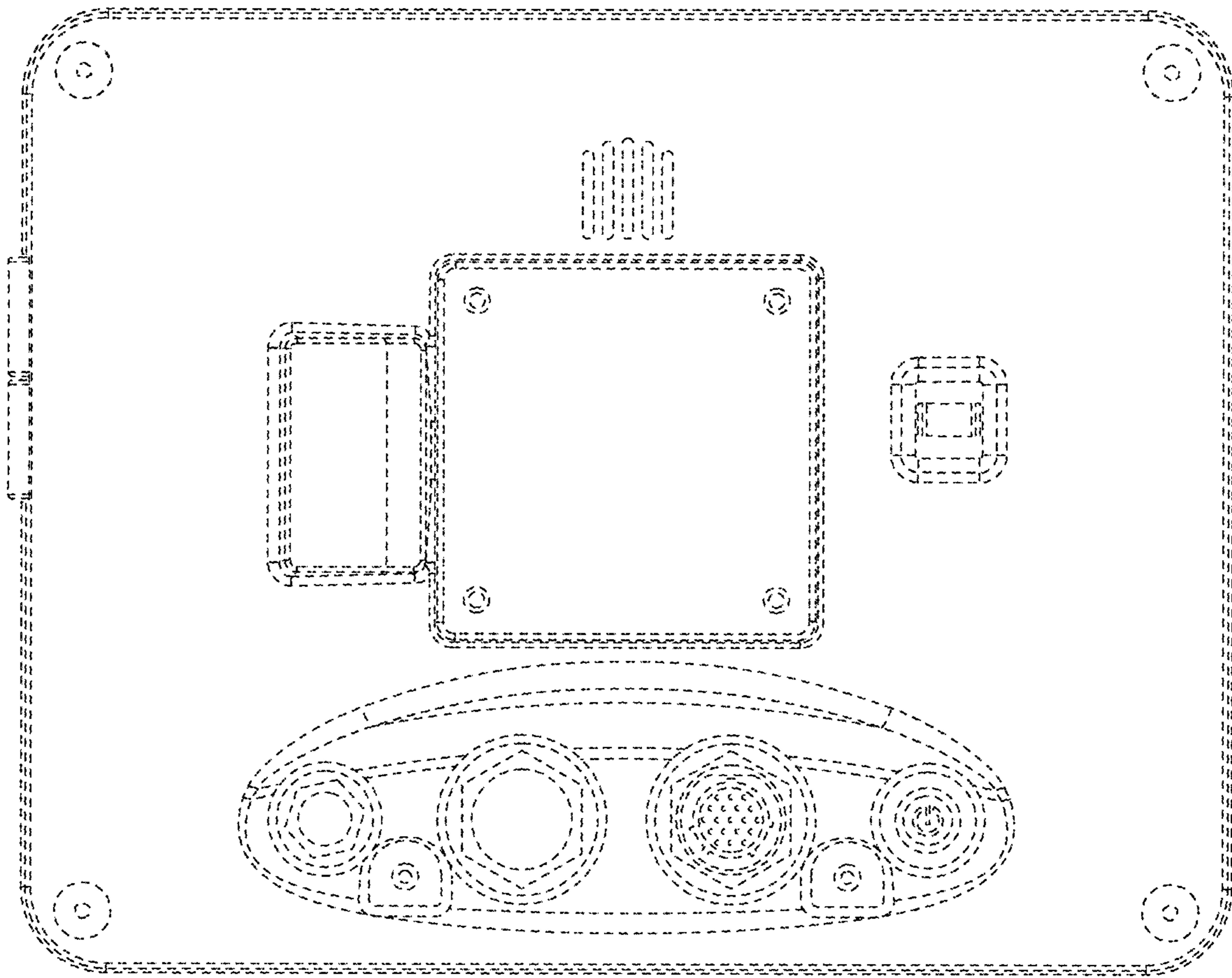


FIG. 6

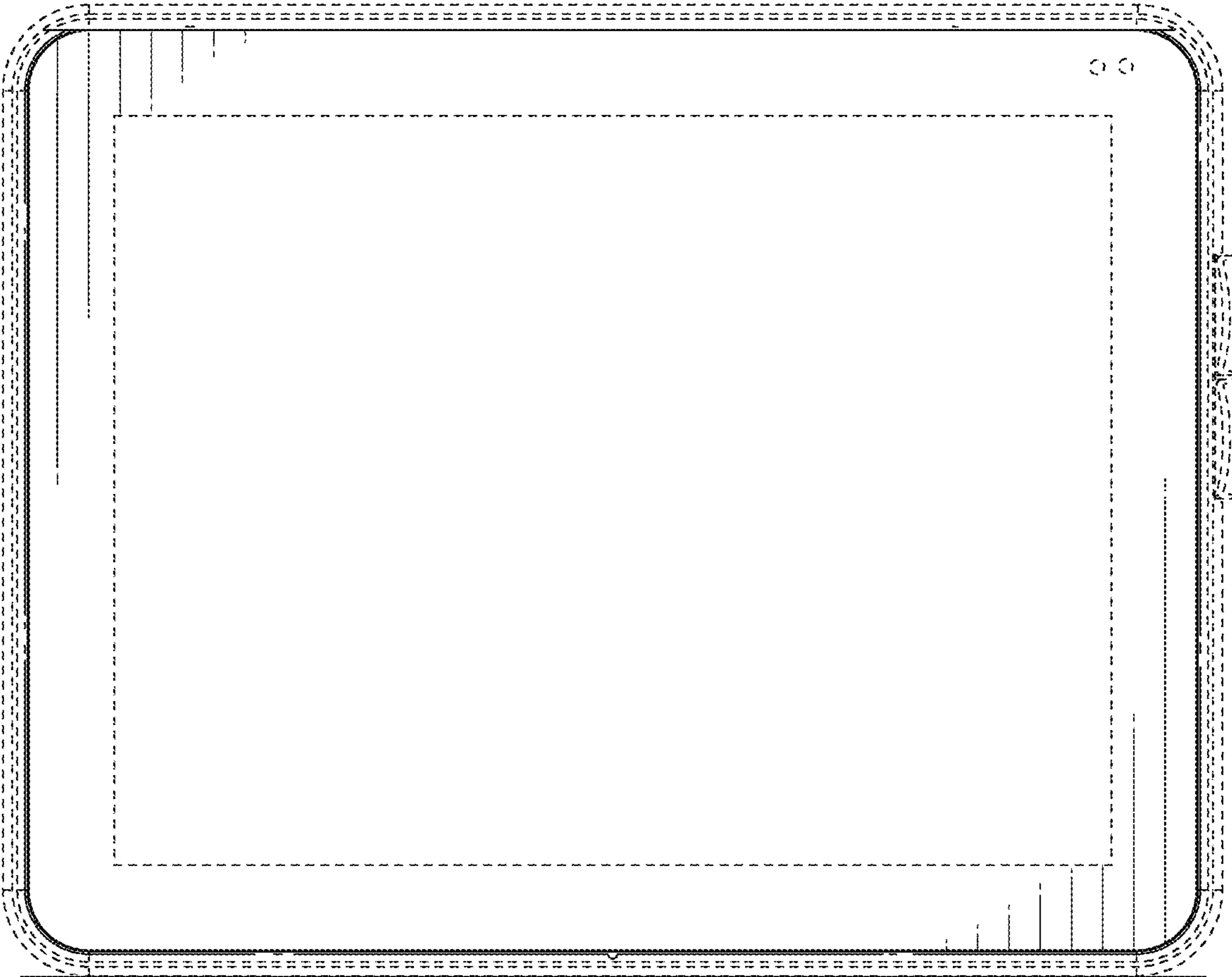


FIG. 7

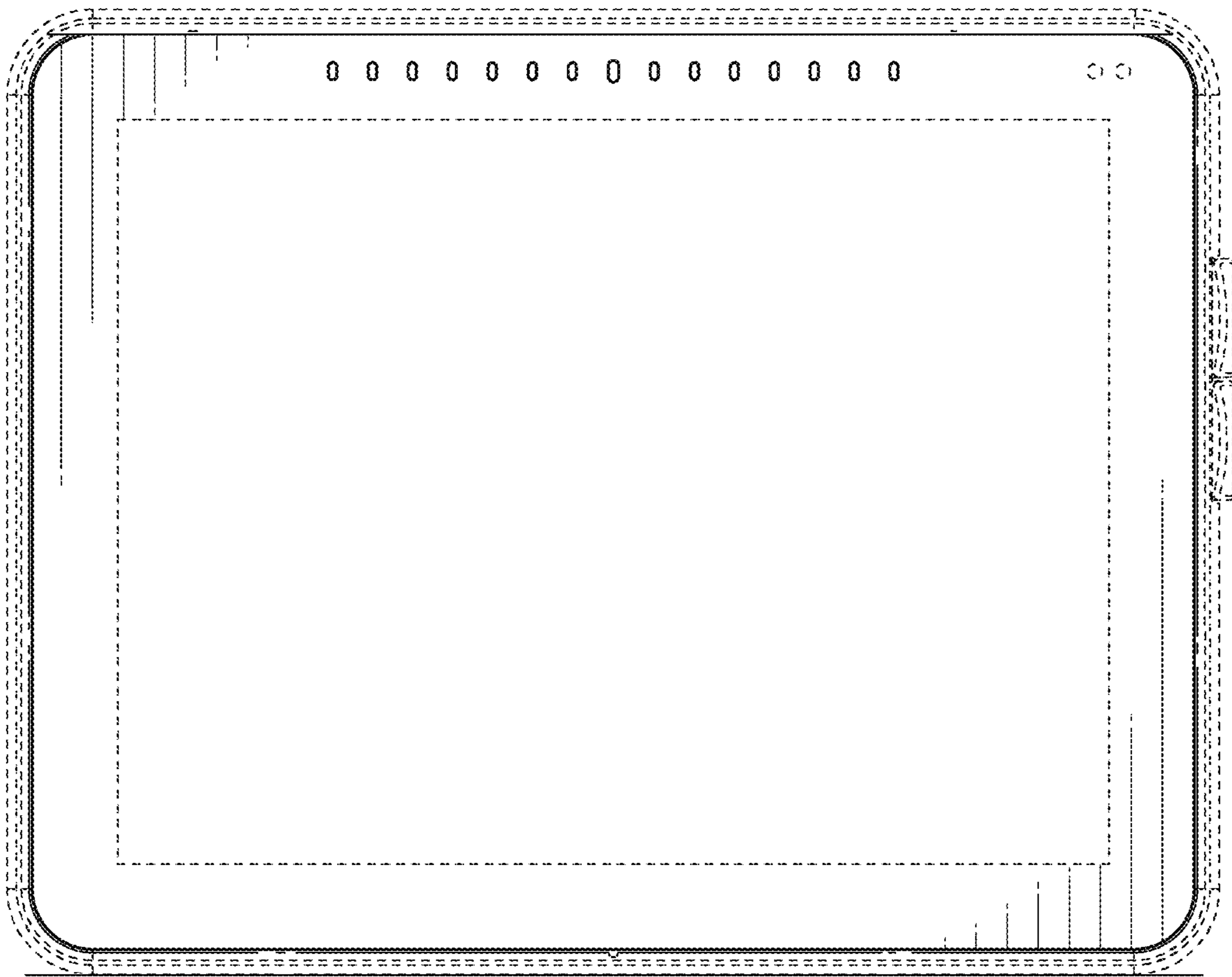


FIG. 8

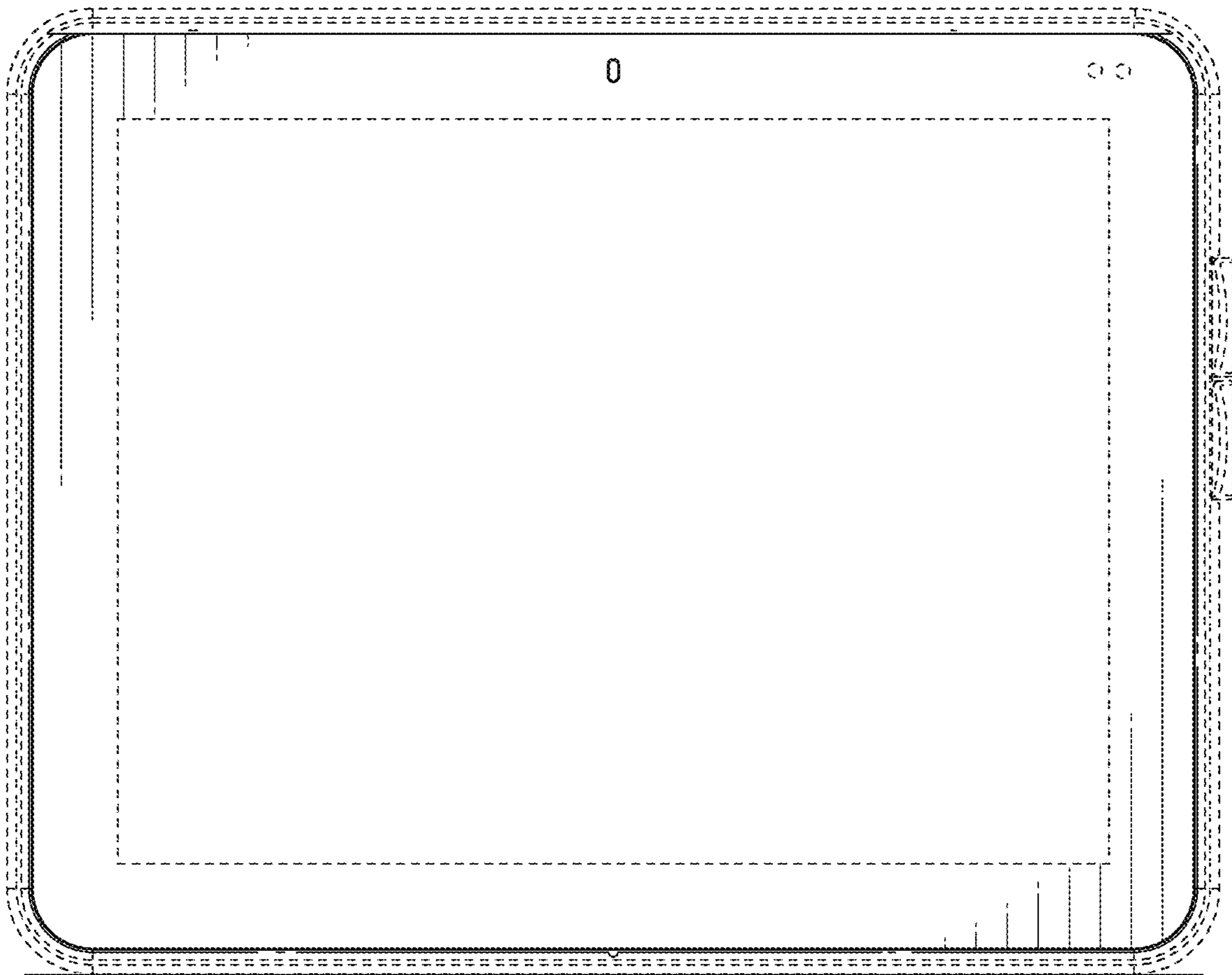


FIG. 9

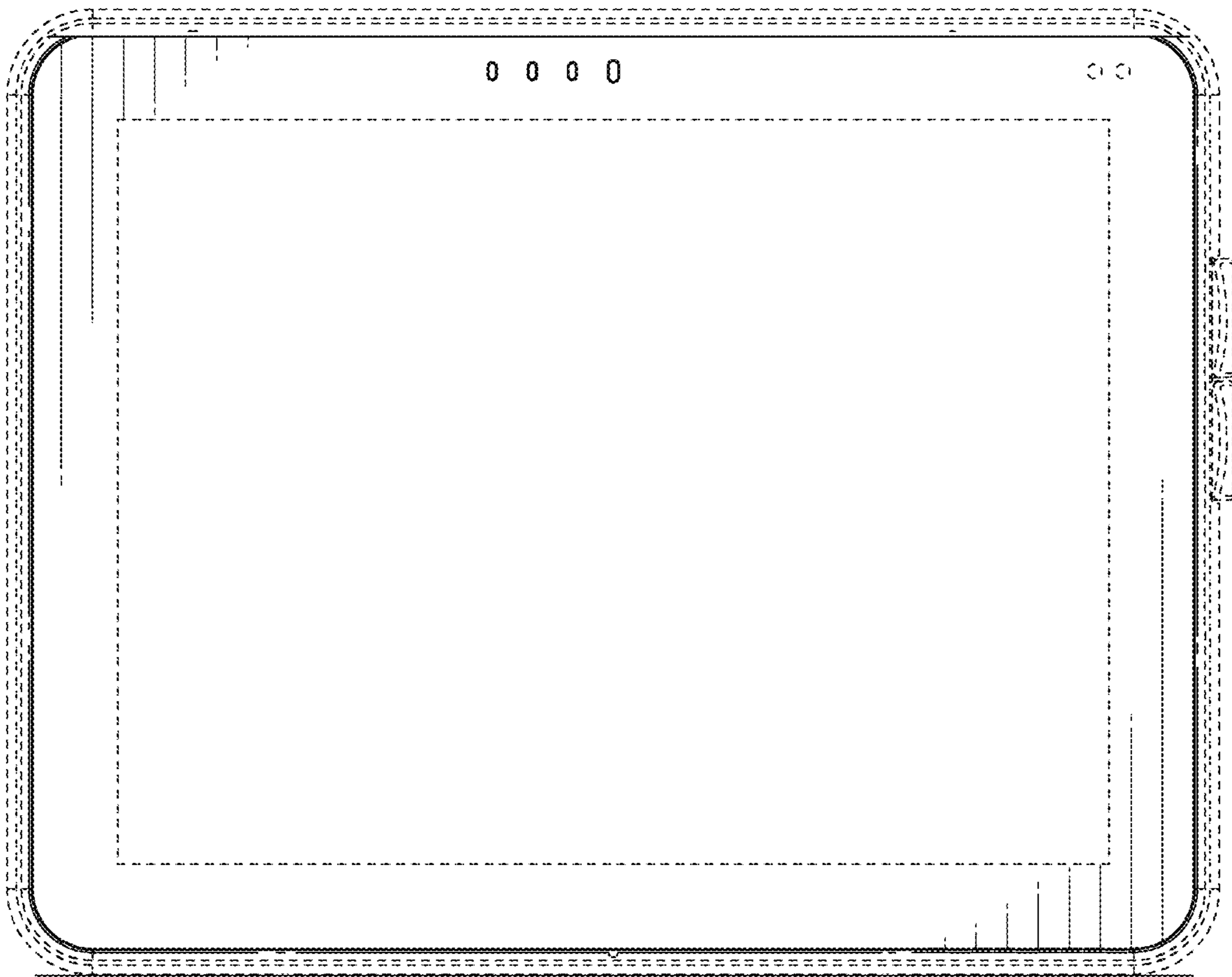


FIG. 10

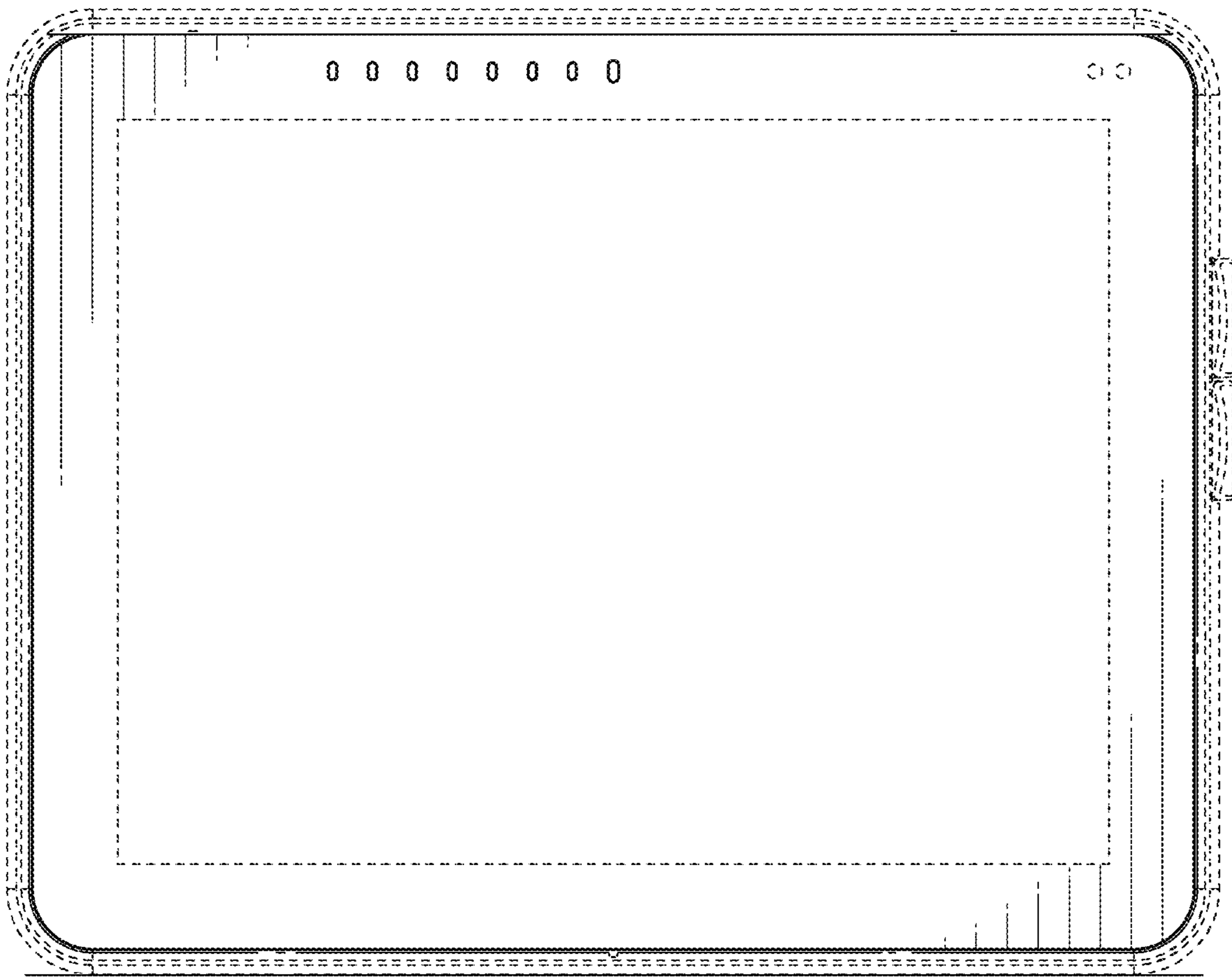


FIG. 11

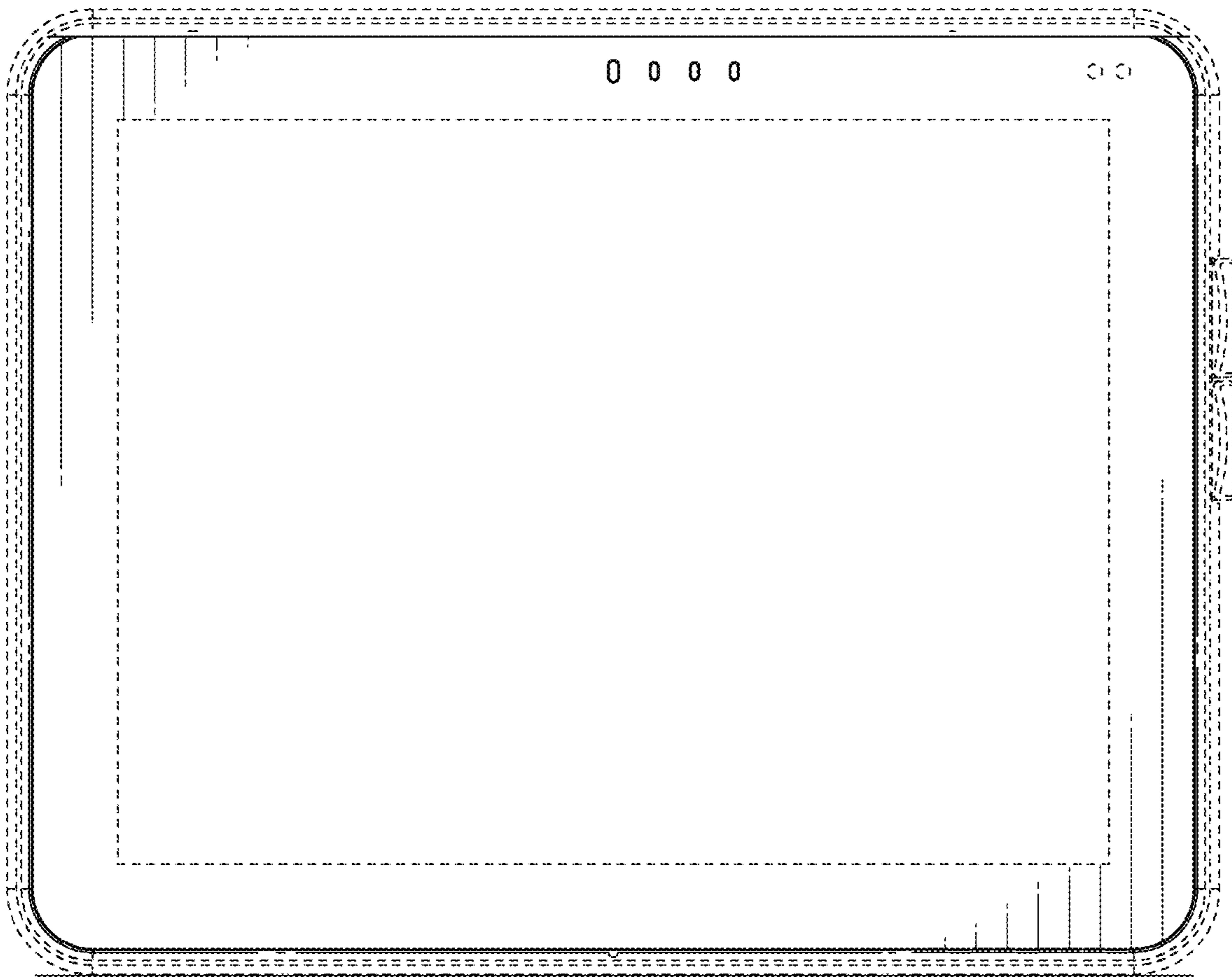


FIG. 12

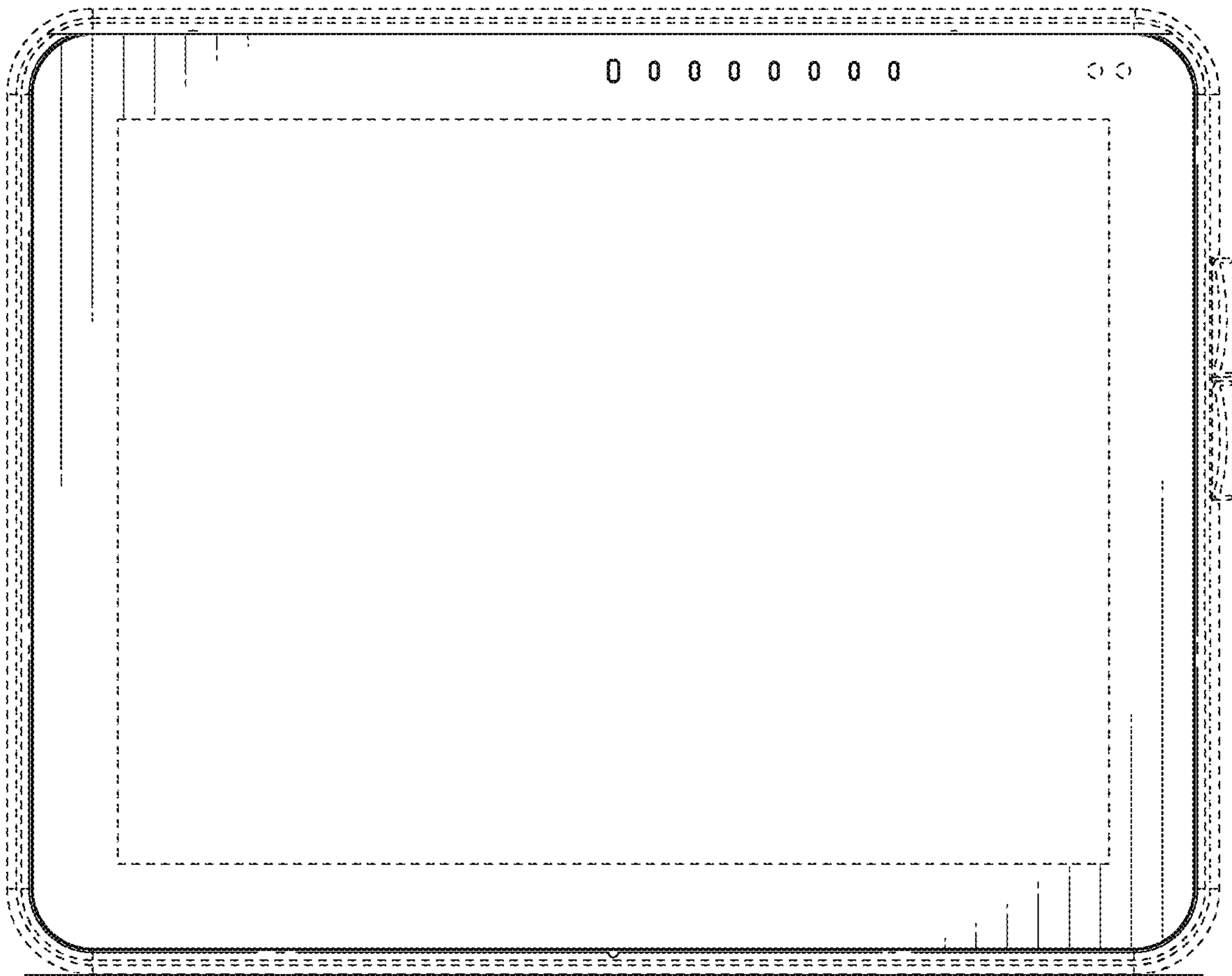


FIG. 13