



US00D882639S

(12) **United States Design Patent** (10) **Patent No.:** **US D882,639 S**
Contaldi et al. (45) **Date of Patent:** **** Apr. 28, 2020**

(54) **COMPRESSOR**

(71) Applicant: **ING. ENEA MATTEI S.p.A.**,
Vimodrone (MI) (IT)

(72) Inventors: **Giulio Contaldi**, Segrate (IT); **Stefano Murgia**, Vimodrone (IT)

(73) Assignee: **ING. ENEA MATTEI S.p.A.**,
Vimodrone (MI) (IT)

(**) Term: **15 Years**

(21) Appl. No.: **29/659,098**

(22) Filed: **Aug. 6, 2018**

(30) **Foreign Application Priority Data**

Feb. 5, 2018 (EM) 004695716

(51) **LOC (12) Cl.** **15-02**

(52) **U.S. Cl.**
USPC **D15/9**

(58) **Field of Classification Search**
USPC D15/7-9; D23/231, 232
CPC F04B 41/00-41/06; F04B 31/00; F04B
35/00; F04B 53/92; F04B 1/005; F02M
37/04; F02M 37/14
See application file for complete search history.

(56) **References Cited**

U.S. PATENT DOCUMENTS

D373,366 S *	9/1996	Wada	D15/7
D381,340 S *	7/1997	Takenaka	D15/9
D381,993 S *	8/1997	Takenaka	D15/9
D429,738 S *	8/2000	Kayukawa	D15/9
D441,377 S *	5/2001	Kawaguchi	D15/9
D452,254 S *	12/2001	Kawaguchi	D15/9

D454,889 S *	3/2002	Kawaguchi	D15/9
D462,364 S *	9/2002	Fujita	D15/9
D466,526 S *	12/2002	Fujii	D15/9
D487,473 S *	3/2004	Saito	D15/9
D520,026 S *	5/2006	Hulks	D15/9
D537,452 S *	2/2007	Chu	D15/9
D537,843 S *	3/2007	Chu	D15/9
D538,301 S *	3/2007	Chu	D15/9
D540,350 S *	4/2007	Hulks	D15/9
D540,823 S *	4/2007	An	D15/9
D613,636 S *	4/2010	Chu	D15/9
D617,346 S *	6/2010	Chu	D15/9
D623,666 S *	9/2010	Chu	D15/9
D700,627 S *	3/2014	Desiron	D15/9
D709,524 S *	7/2014	Ohser	D15/9
D731,558 S *	6/2015	Chen	D15/9
9,413,204 B2 *	8/2016	Ota	F04B 17/03

* cited by examiner

Primary Examiner — Mitchell I. Siegel

(74) *Attorney, Agent, or Firm* — Leason Ellis LLP

(57) **CLAIM**

The ornamental design for a compressor, as shown and described.

DESCRIPTION

FIG. 1 is a top and side perspective view of a compressor showing our new design;
FIG. 2 is a right side elevation view thereof;
FIG. 3 is a left side elevation view thereof;
FIG. 4 is rear side elevation view thereof;
FIG. 5 is a front elevation view thereof;
FIG. 6 is a top plan view thereof; and,
FIG. 7 is a bottom plan view thereof.
The broken lines are directed to environment and form no part of the claimed design.

1 Claim, 7 Drawing Sheets

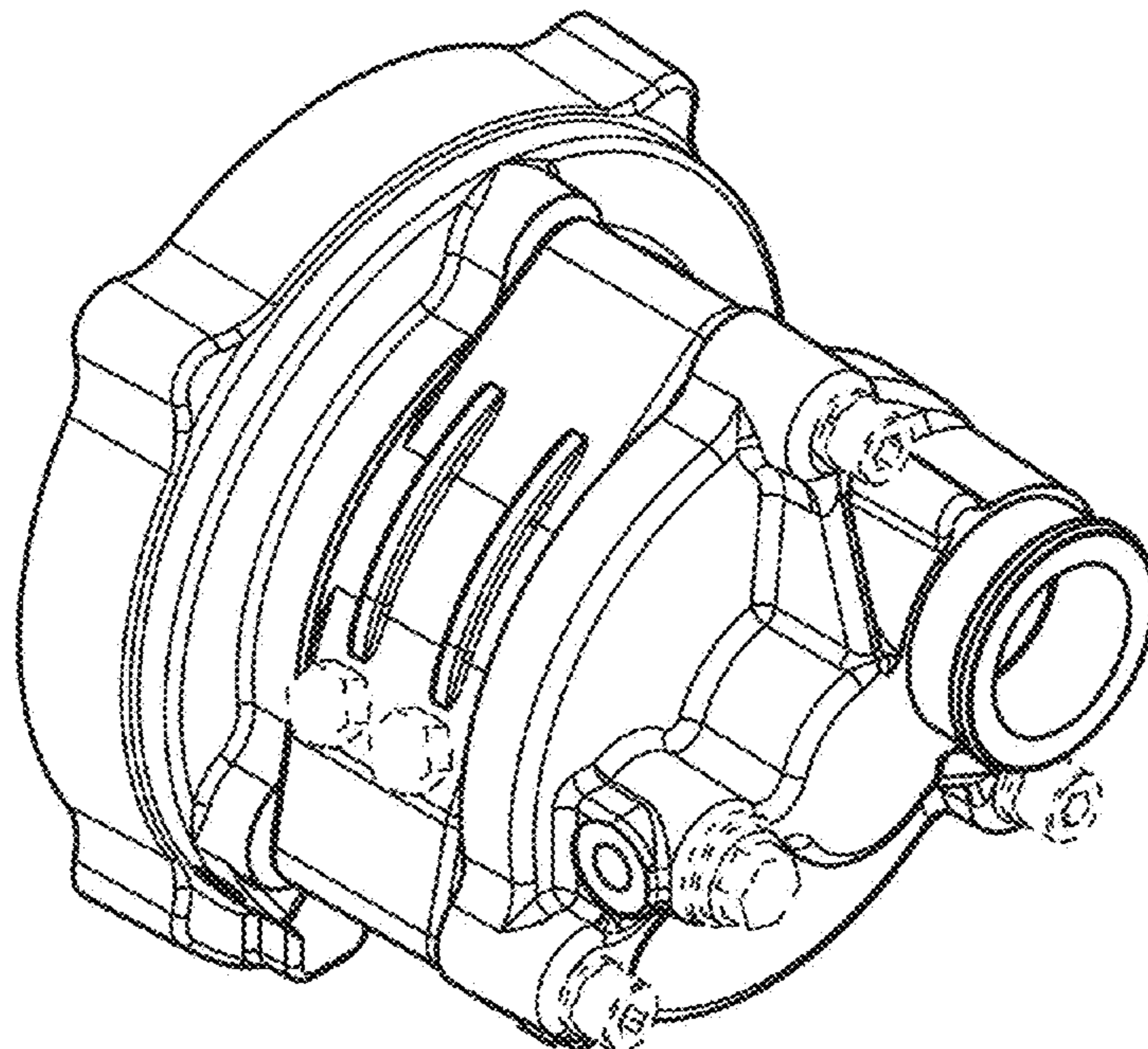


FIG. 1

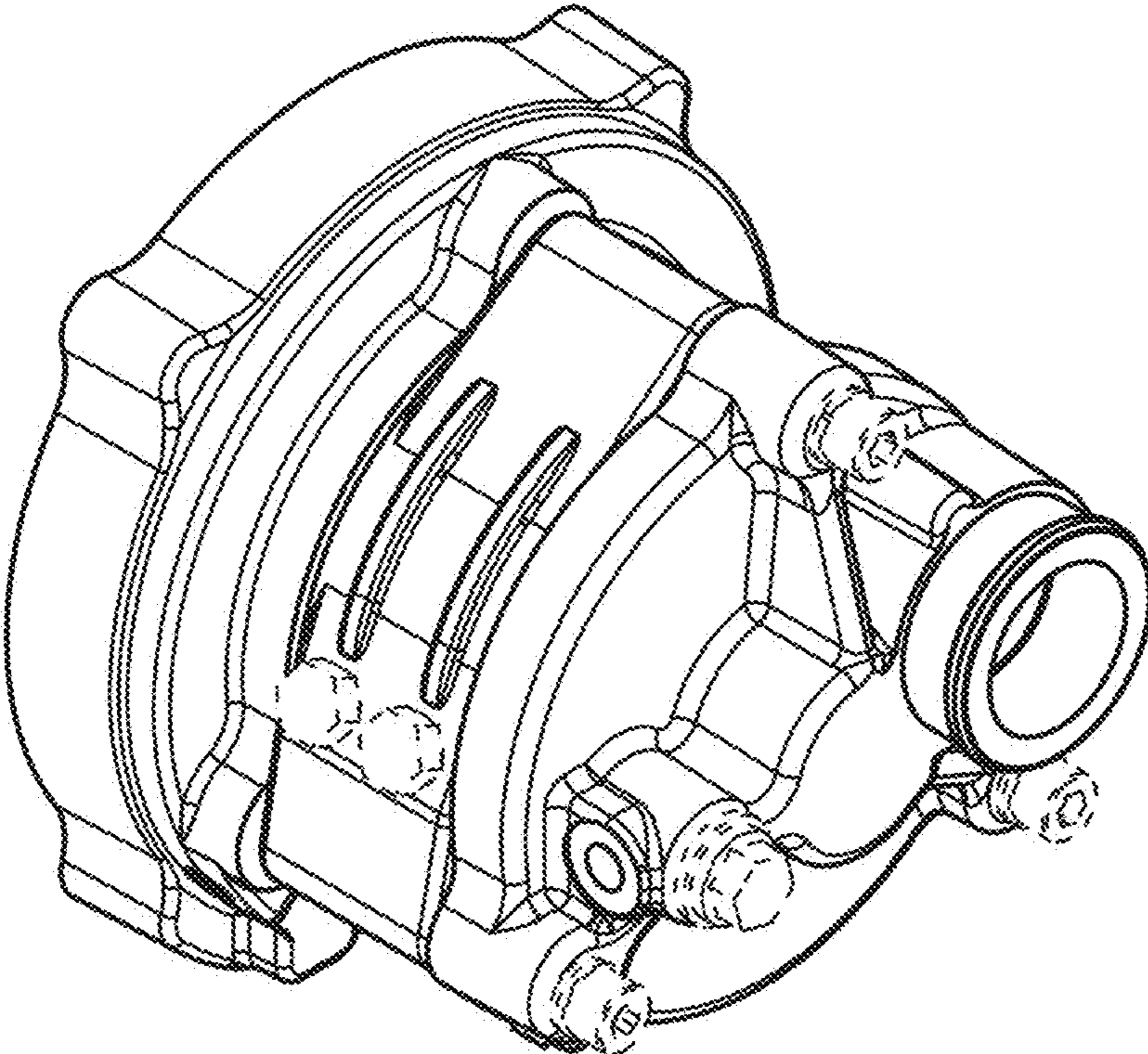
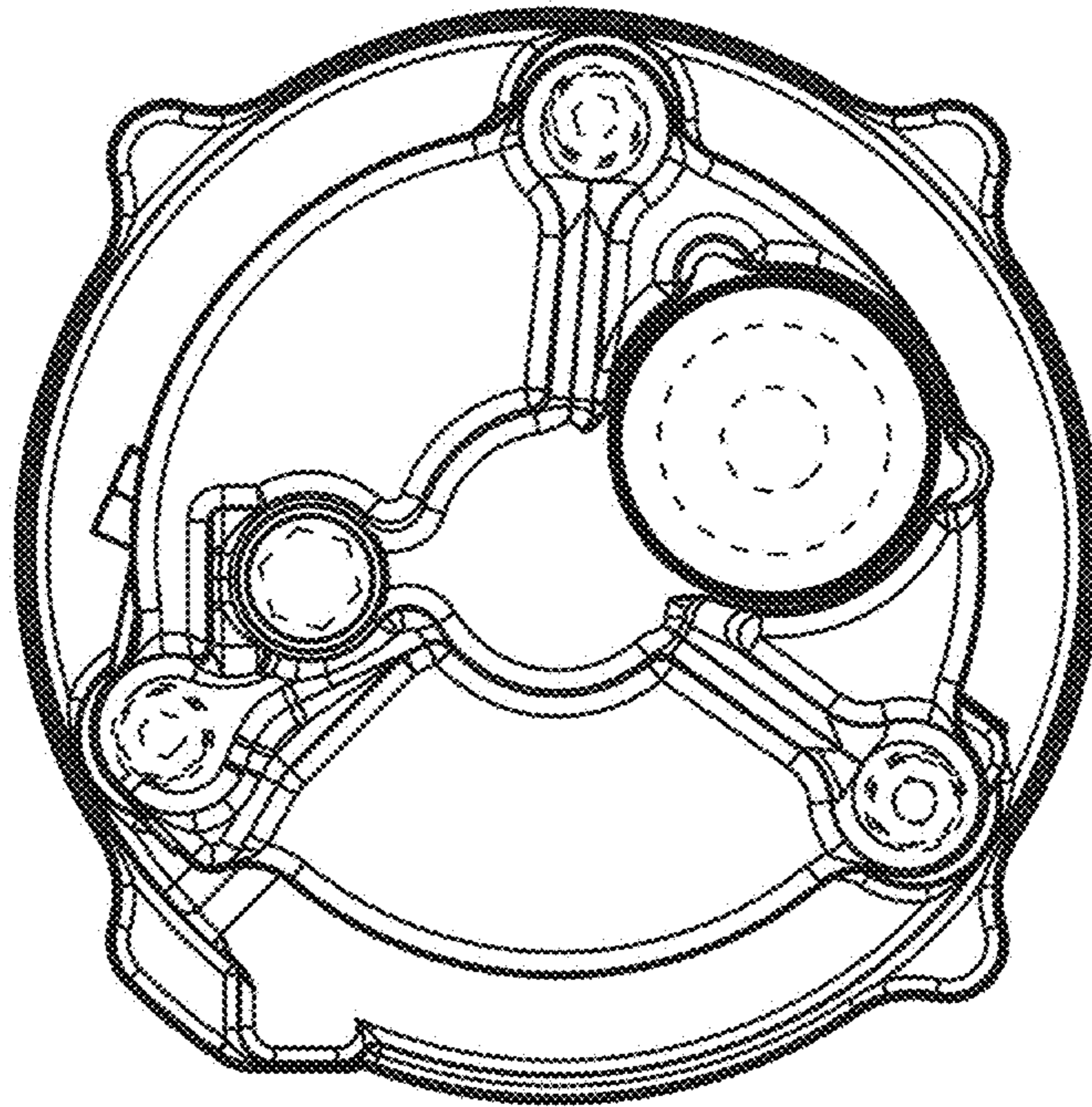


FIG. 2



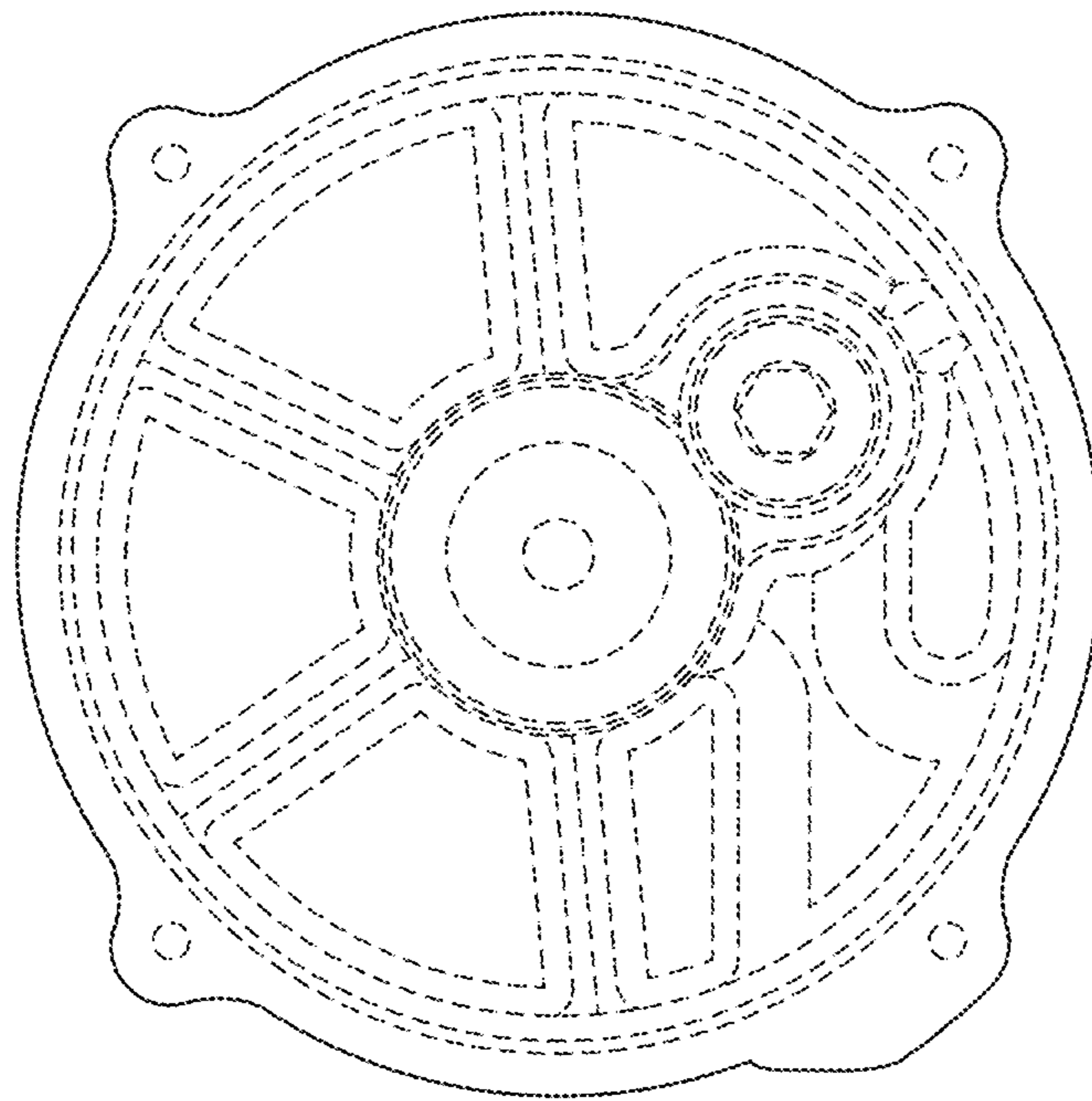


FIG. 3

FIG. 4

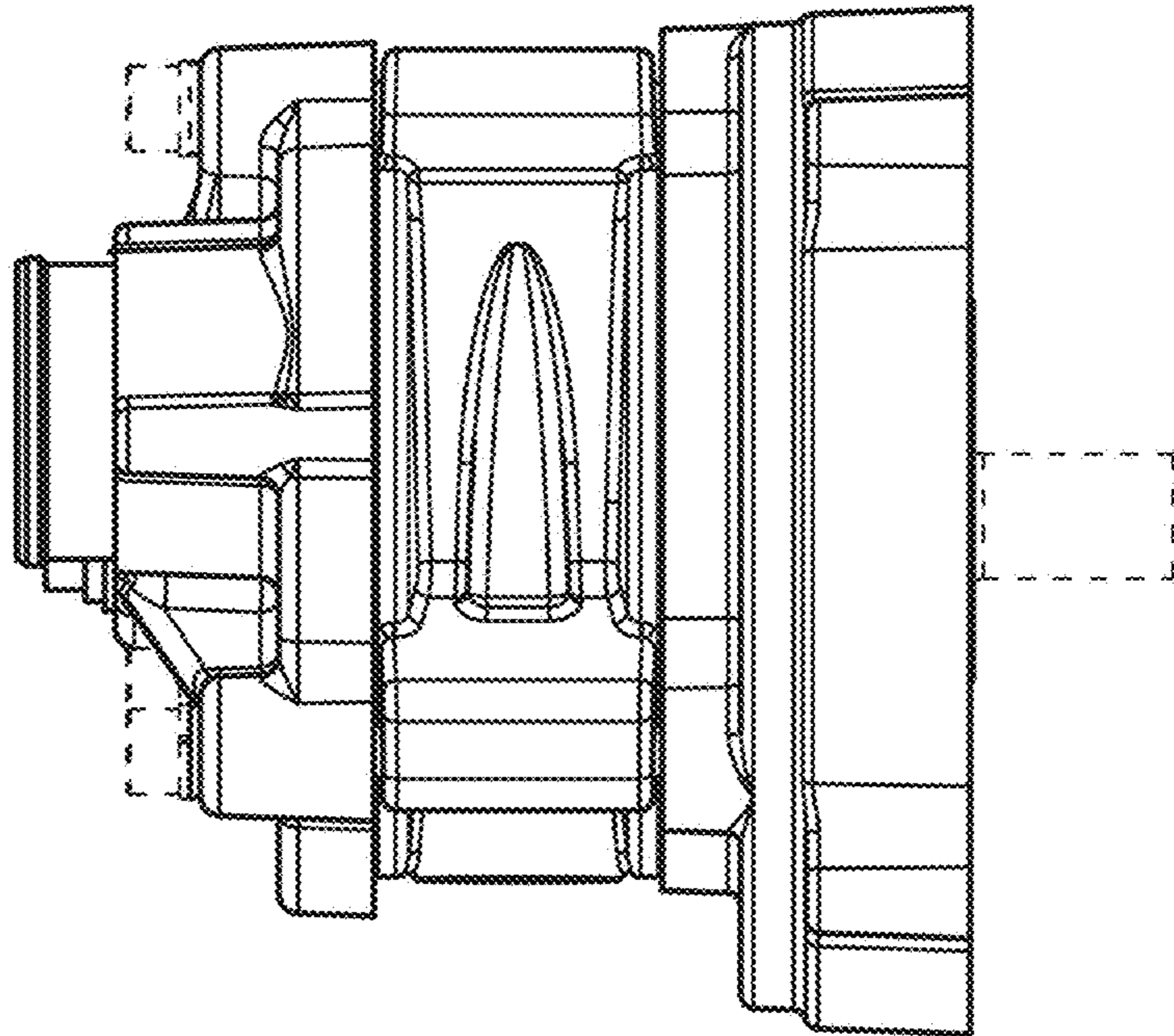


FIG. 5

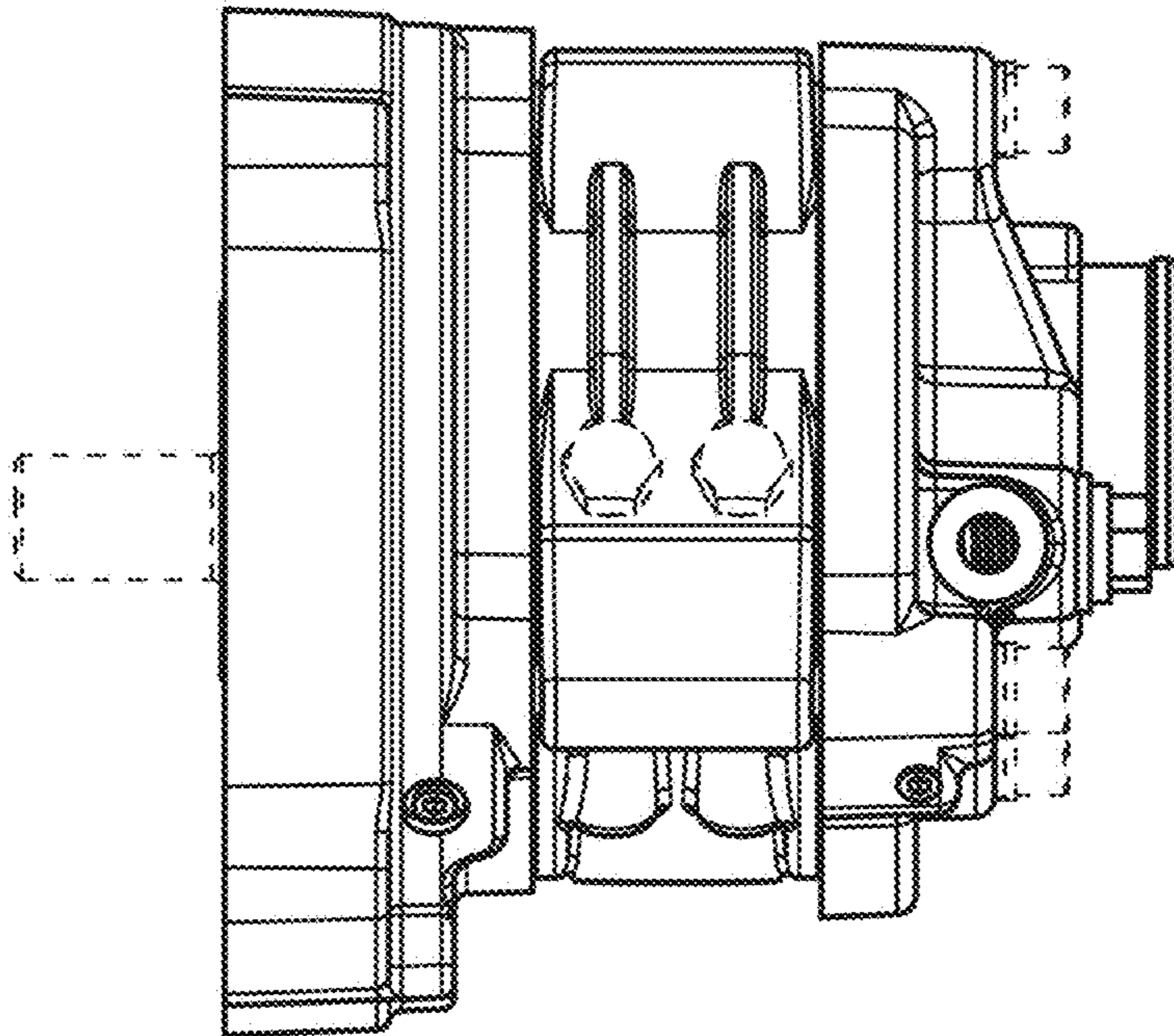
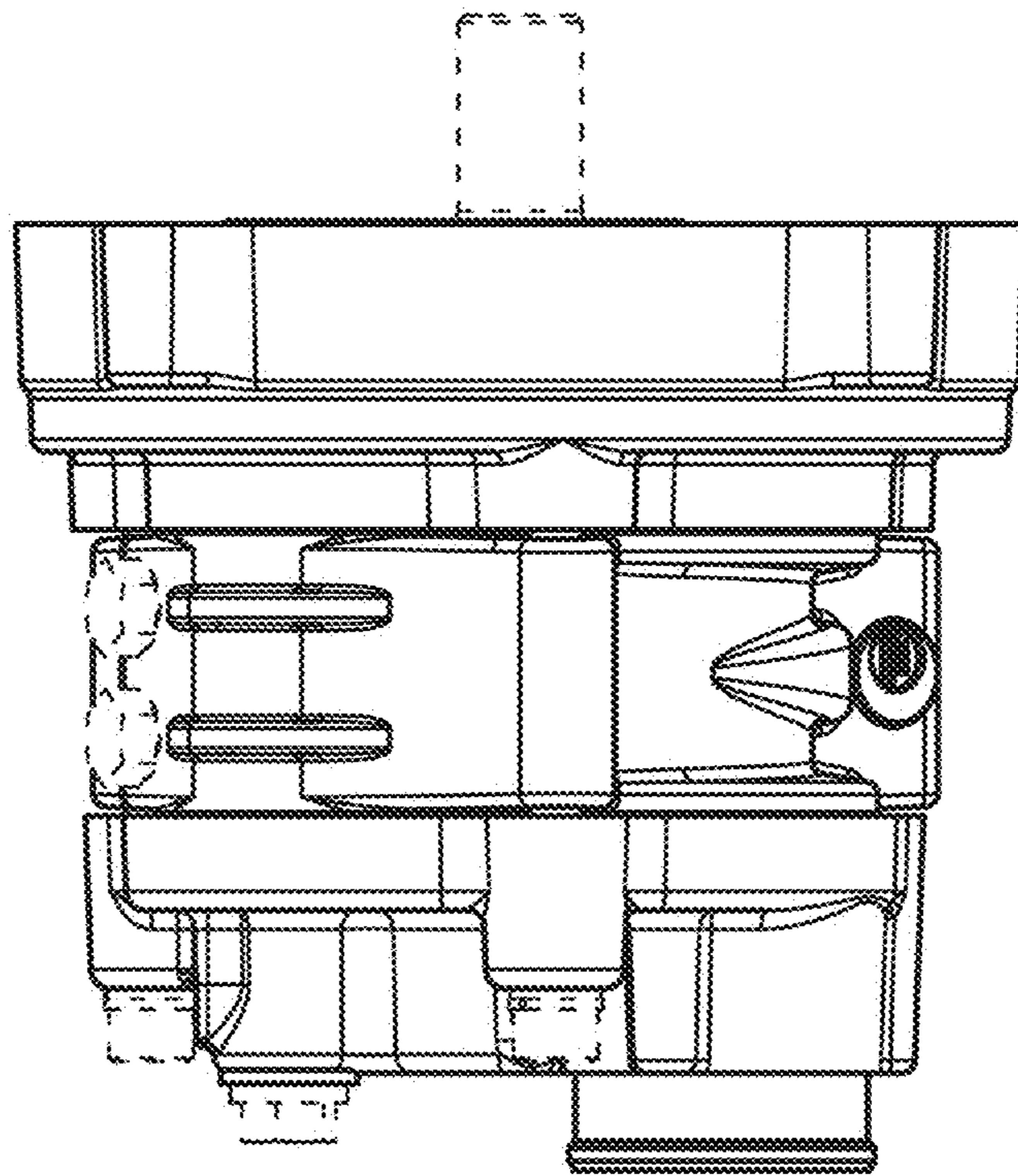


FIG. 6



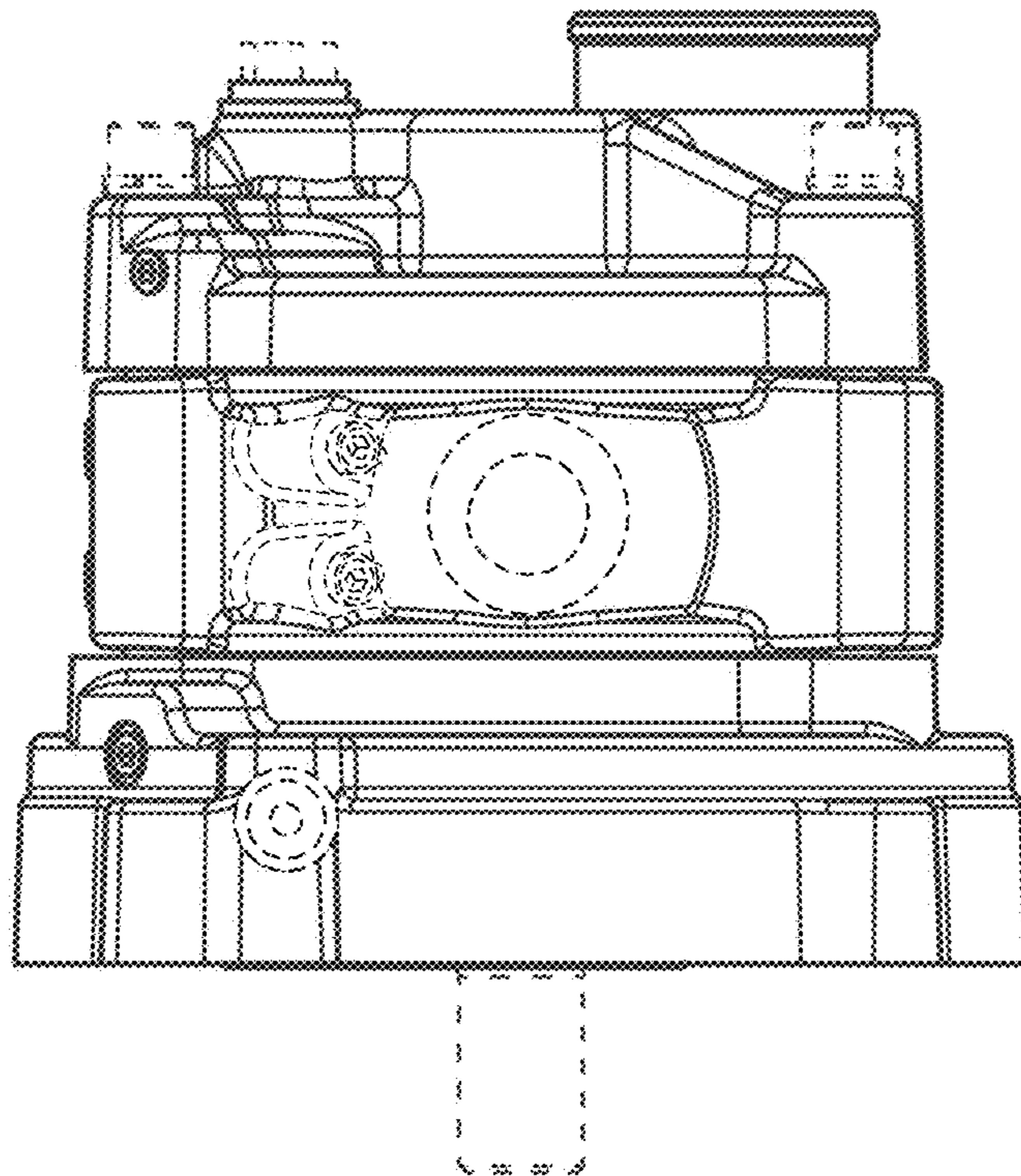


FIG. 7