



US00D882637S

(12) **United States Design Patent**
Wickes

(10) **Patent No.:** **US D882,637 S**

(45) **Date of Patent:** **** Apr. 28, 2020**

(54) **AIR INTAKE SNORKEL FOR A VEHICLE**

(71) Applicant: **SAFARI R&D PTY LTD**, Croydon South, Victoria (AU)

(72) Inventor: **Dean Wickes**, Croydon South (AU)

(73) Assignee: **Safari R&D Pty Ltd**, Croydon South, Victoria (AU)

(**) Term: **15 Years**

(21) Appl. No.: **29/705,450**

(22) Filed: **Sep. 12, 2019**

(30) **Foreign Application Priority Data**

Jul. 24, 2019 (AU) 201914152

(51) **LOC (12) Cl.** **15-01**

(52) **U.S. Cl.**
USPC **D15/5**

(58) **Field of Classification Search**
USPC D12/194, 400; D15/1, 3, 5; D23/263, D23/266

CPC B60K 13/02; F02M 35/10
See application file for complete search history.

(56) **References Cited**

U.S. PATENT DOCUMENTS

D545,743 S *	7/2007	Pacini	D12/194
D636,408 S *	4/2011	Luxon	D15/5
D636,787 S *	4/2011	Luxon	D15/5
D636,788 S *	4/2011	Luxon	D15/5
D637,623 S *	5/2011	Luxon	D15/5
D638,446 S *	5/2011	Luxon	D15/5
D641,377 S *	7/2011	Luxon	D15/5
D648,745 S *	11/2011	Luxon	D15/5
D649,162 S *	11/2011	Luxon	D15/5
D670,743 S *	11/2012	Ewringmann	D15/5
D680,554 S *	4/2013	Harriton	D15/5

D687,072 S *	7/2013	Bennett	D15/5
D693,370 S *	11/2013	Randhawa	D15/5
D719,190 S *	12/2014	Berry	D15/5
D752,109 S *	3/2016	Harriton	D15/5
D762,736 S *	8/2016	Niakan	D15/5
D774,101 S *	12/2016	Delgado	D15/5
D838,745 S *	1/2019	Harriton	D15/5
D856,373 S *	8/2019	Tallman	D15/5
10,393,076 B1 *	8/2019	Freeman	F02M 35/10144
2009/0084344 A1 *	4/2009	Fasan	B60K 13/02 123/198 E

(Continued)

OTHER PUBLICATIONS

DHgate.com "CityCarAuto Air Intake Snorkel Kit Airflow Snorkel Car Accessories for for Mitsubishi Triton L200 2015-2017" (online) listed by Miniputao. Retrieved from Internet on Dec. 17, 2019, URL:https://www.dhgate.com/product/citycarauto-air-intake-snorkel-kit-airflow/481273304.html (20 pages).*

(Continued)

Primary Examiner — Michael A. Pratt

Assistant Examiner — Wendy L Arminio

(74) *Attorney, Agent, or Firm* — Allen, Dyer, Doppelt + Gilchrist, PA

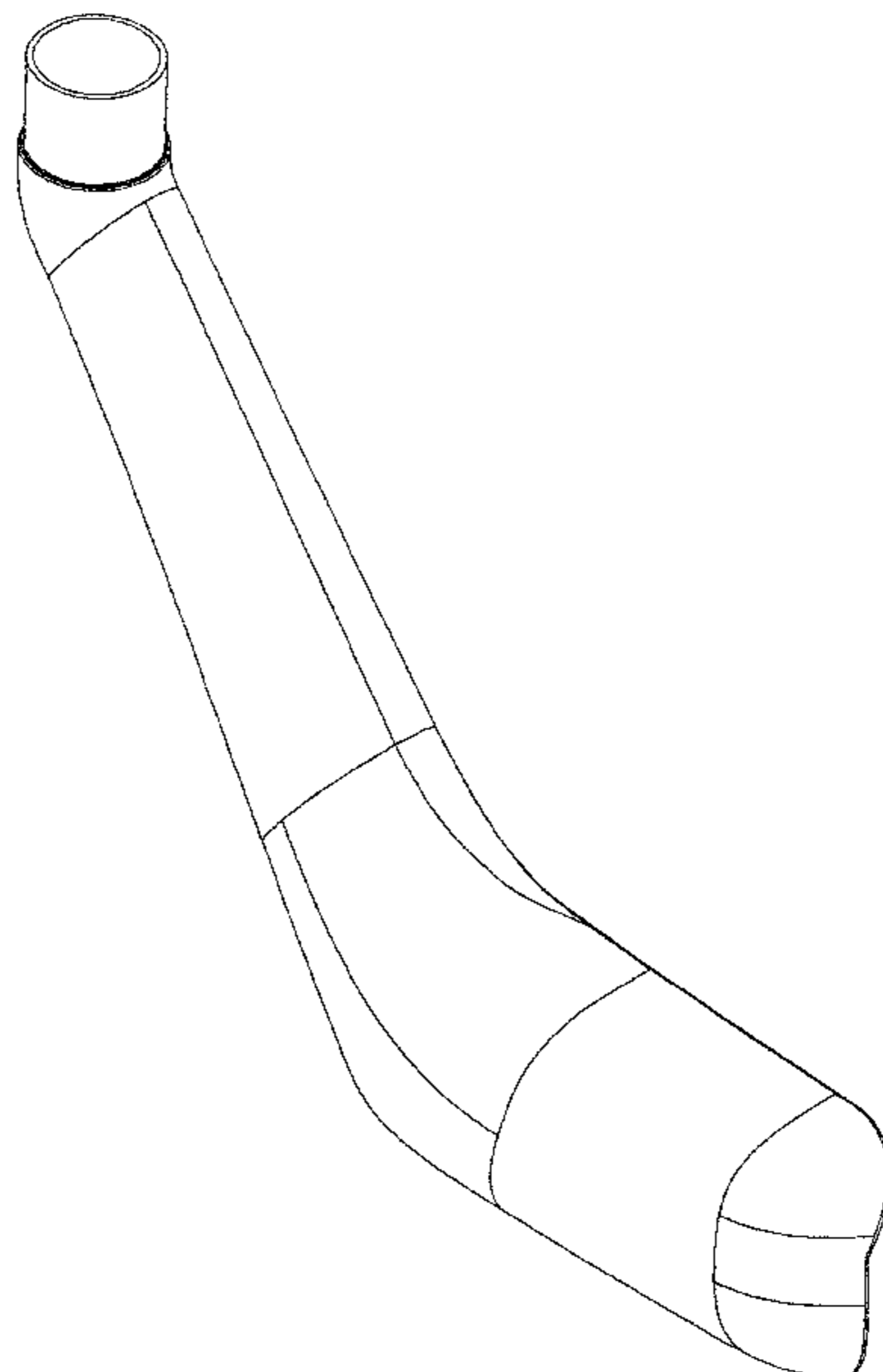
(57) **CLAIM**

The ornamental design for an air intake snorkel for a vehicle, as shown and described.

DESCRIPTION

FIG. 1 is a front view of an air intake snorkel for a vehicle; FIG. 2 is a left-side view thereof; FIG. 3 is a left isometric view thereof; FIG. 4 is a rear view thereof; FIG. 5 is a right-side view thereof; and, FIG. 6 is a right isometric view thereof.

1 Claim, 6 Drawing Sheets



(56)

References Cited

U.S. PATENT DOCUMENTS

2010/0229817 A1* 9/2010 Hirai F02M 35/10131
123/184.21
2014/0008136 A1* 1/2014 Bennett B60K 13/02
180/68.3
2015/0107563 A1* 4/2015 Naruoka B62K 11/04
123/559.1
2015/0240760 A1* 8/2015 Lewington F02M 35/164
95/269
2018/0319270 A1* 11/2018 Tier B60K 13/02

OTHER PUBLICATIONS

Safari ARMAX “SS982HP: Safari ARMAX Snorkel Ford PX-I & PX-II Ranger (All Models), 2.2L & 3.2L TDCi Diesel (P4AT & P5AT Engines)” (online manual) posted Jan. 7, 2017. Ret. from Internet on Dec. 17, 2019, URL: [https://www.safari4x4.com.au/products/ford/ranger/px-all-diesel-models-08-2011-onwards#downloads\(16 pages\).*](https://www.safari4x4.com.au/products/ford/ranger/px-all-diesel-models-08-2011-onwards#downloads(16%20pages).*)

* cited by examiner

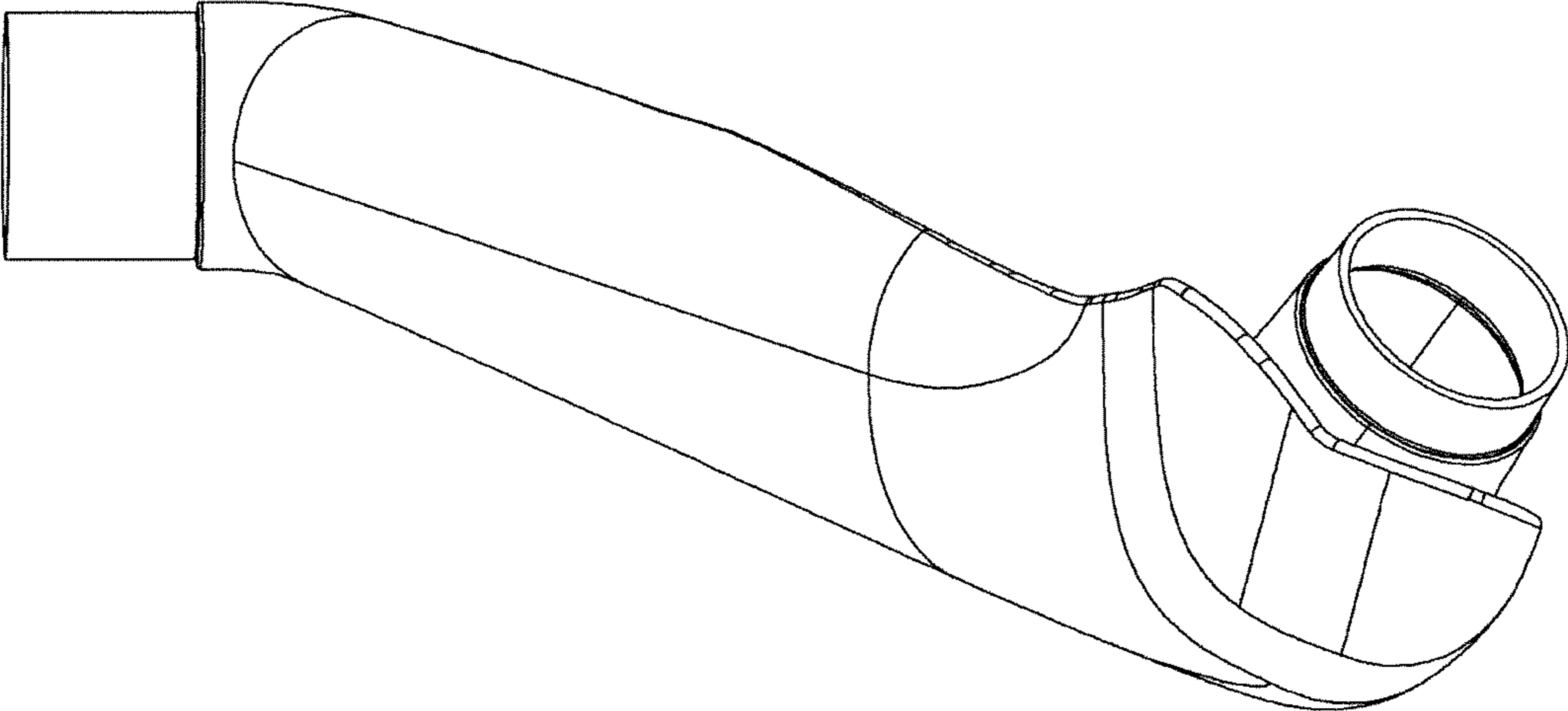


FIG. 1

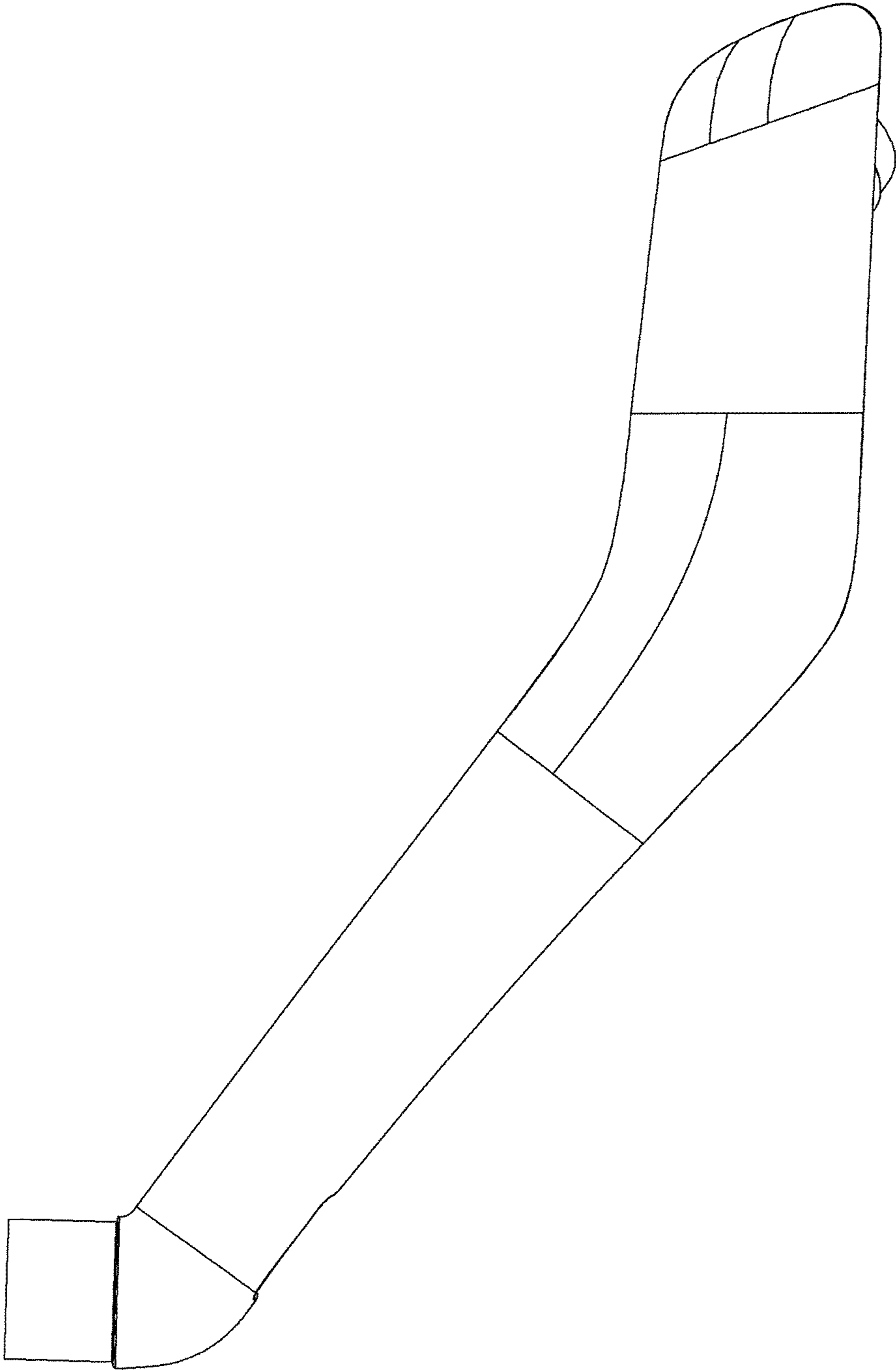


FIG. 2

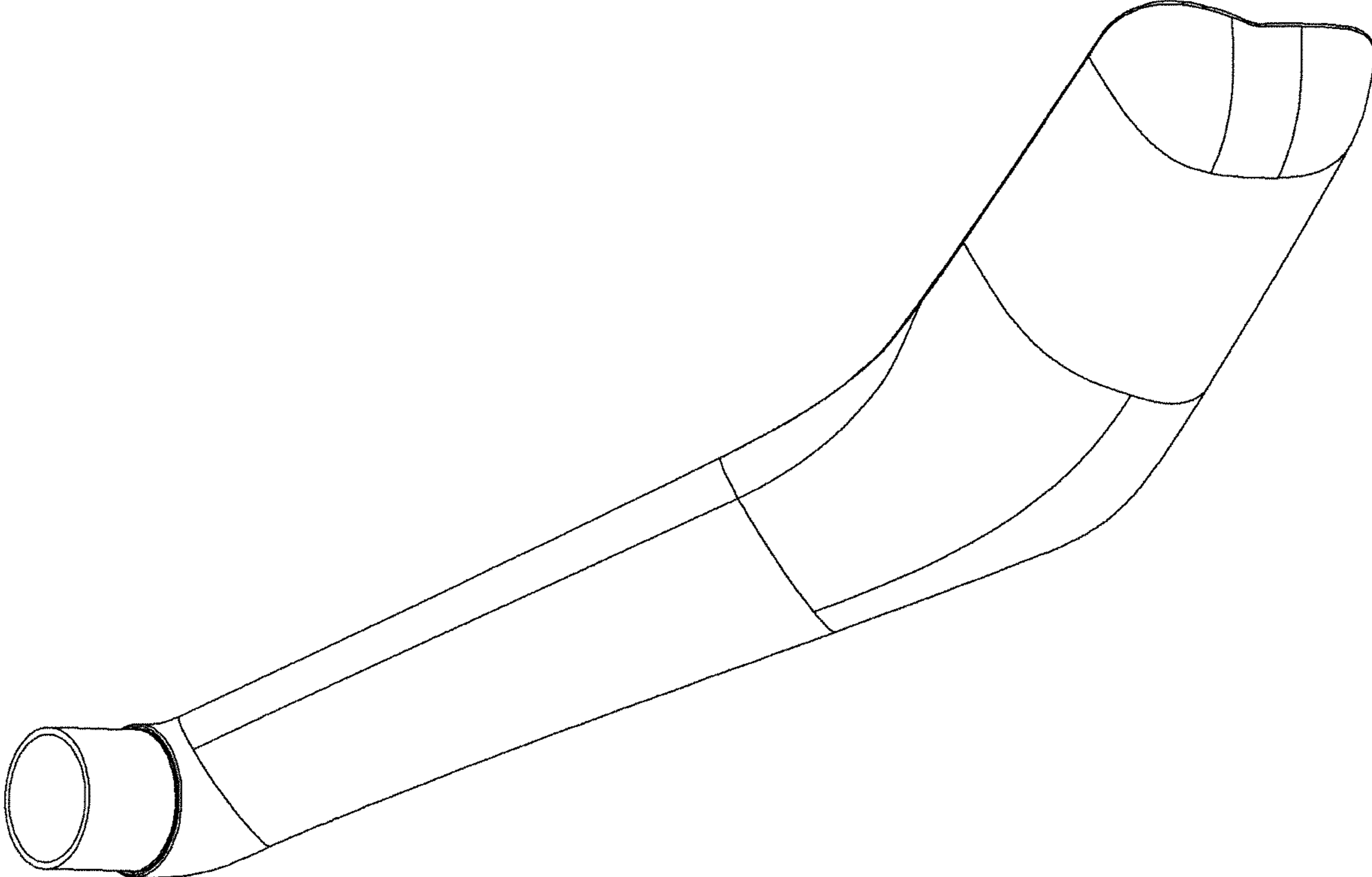


FIG. 3

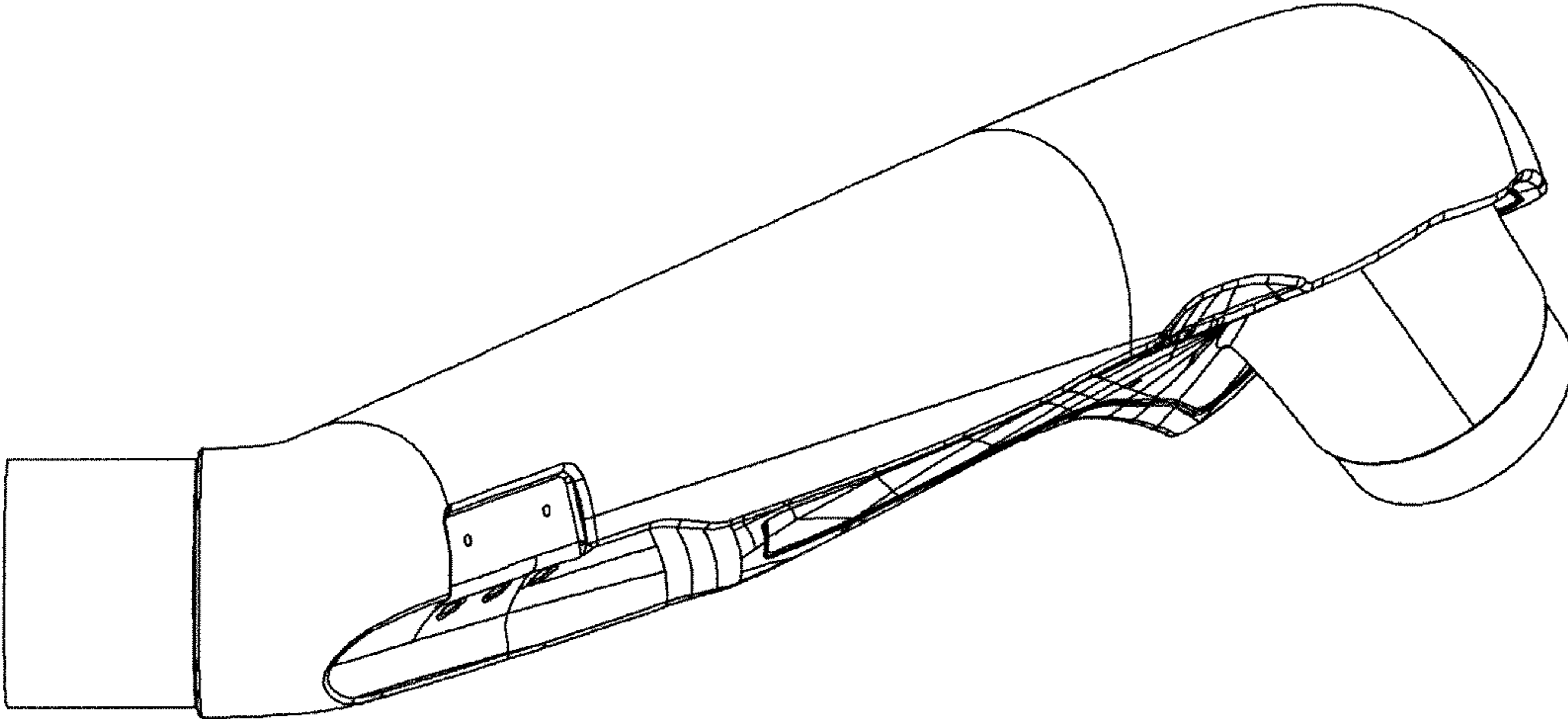


FIG. 4

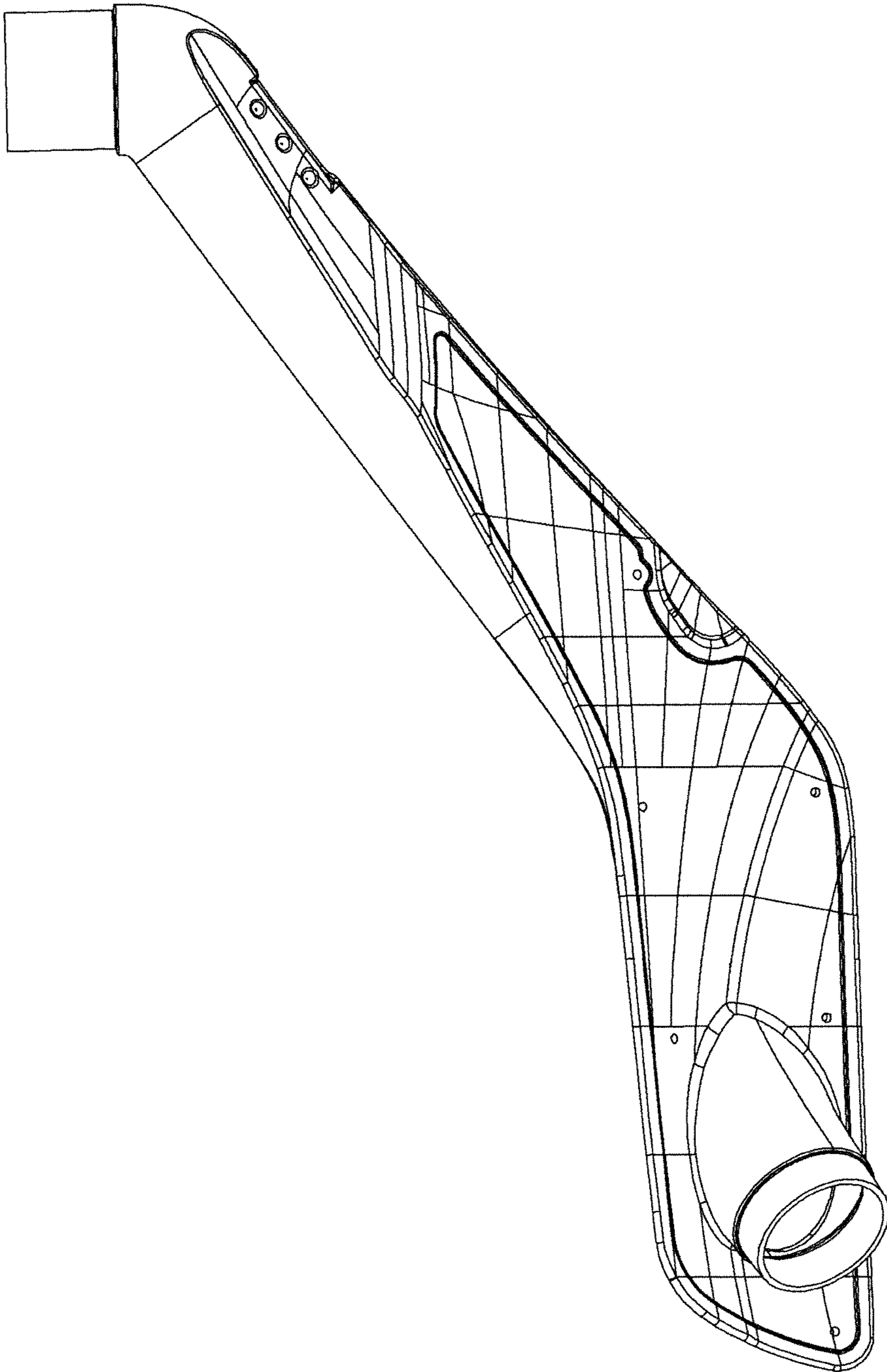


FIG. 5

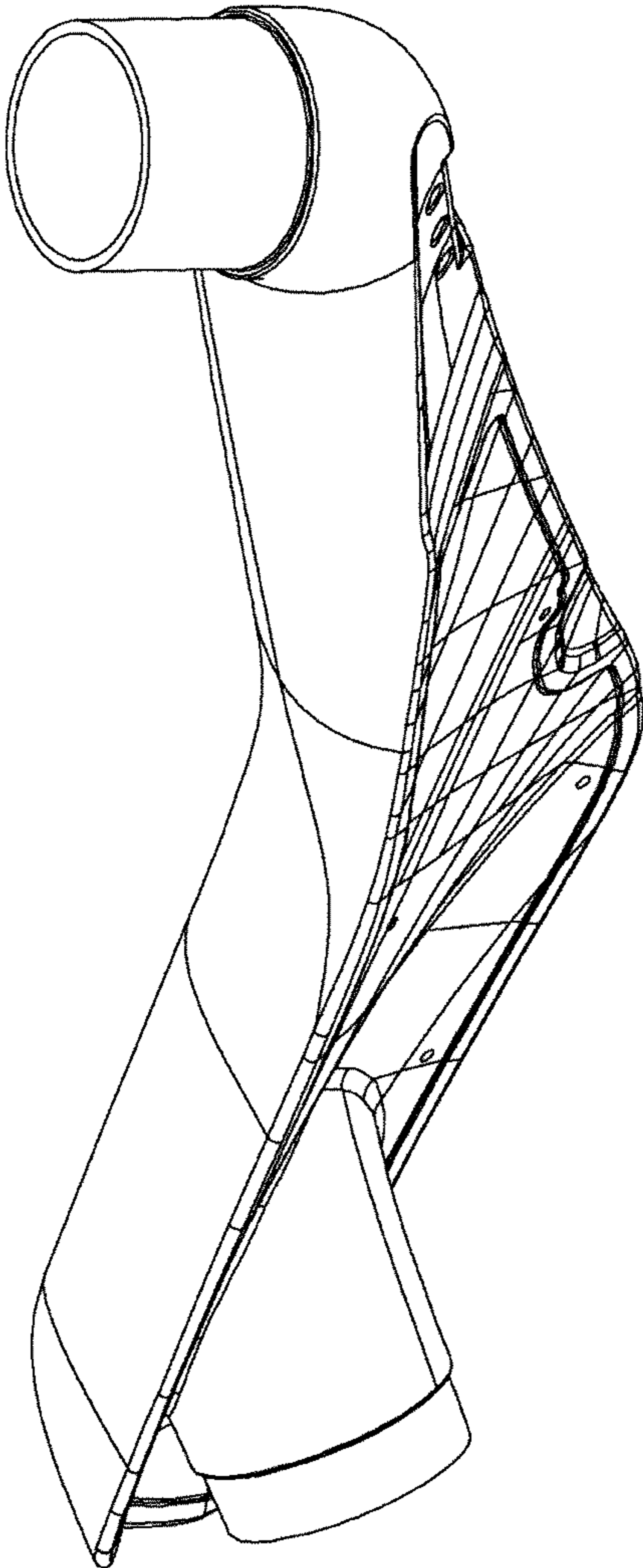


FIG. 6