



US00D882636S

(12) **United States Design Patent** (10) **Patent No.:** **US D882,636 S**  
**Wickes** (45) **Date of Patent:** **\*\* Apr. 28, 2020**

(54) **AIR INTAKE SNORKEL FOR A VEHICLE**

(71) Applicant: **SAFARI R&D PTY LTD**, Croydon South, Victoria (AU)

(72) Inventor: **Dean Wickes**, Croydon South (AU)

(73) Assignee: **Safari R&D Pty Ltd**, Croydon South, Victoria (AU)

(\*\*) Term: **15 Years**

(21) Appl. No.: **29/666,273**

(22) Filed: **Oct. 11, 2018**

(30) **Foreign Application Priority Data**

Mar. 6, 2018 (AU) ..... 201811306

(51) **LOC (12) Cl.** ..... **15-01**

(52) **U.S. Cl.**  
USPC ..... **D15/5**

(58) **Field of Classification Search**  
USPC ..... D12/194, 400; D15/1, 3, 5; D23/263, D23/266  
CPC ..... B60K 13/02; F02M 35/10  
See application file for complete search history.

(56) **References Cited**

**U.S. PATENT DOCUMENTS**

D545,743 S *	7/2007	Pacini	.....	D12/194
D636,408 S *	4/2011	Luxon	.....	D15/5
D636,787 S *	4/2011	Luxon	.....	D15/5
D636,788 S *	4/2011	Luxon	.....	D15/5
D637,623 S *	5/2011	Luxon	.....	D15/5
D638,446 S *	5/2011	Luxon	.....	D15/5
D641,377 S *	7/2011	Luxon	.....	D15/5
D648,745 S *	11/2011	Luxon	.....	D15/5
D649,162 S *	11/2011	Luxon	.....	D15/5
D670,743 S *	11/2012	Ewringmann	.....	D15/5
D680,554 S *	4/2013	Harriton	.....	D15/5

D687,072 S *	7/2013	Bennett	.....	D15/5
D693,370 S *	11/2013	Randhawa	.....	D15/5
D719,190 S *	12/2014	Berry	.....	D15/5
D752,109 S *	3/2016	Harriton	.....	D15/5
D762,736 S *	8/2016	Niakan	.....	D15/5
D774,101 S *	12/2016	Delgado	.....	D15/5
D838,745 S *	1/2019	Harriton	.....	D15/5
D856,373 S *	8/2019	Tallman	.....	D15/5
10,393,076 B1 *	8/2019	Freeman	.....	F02M 35/10144
2009/0084344 A1 *	4/2009	Fasan	.....	B60K 13/02 123/198 E
2010/0229817 A1 *	9/2010	Hirai	.....	F02M 35/10131 123/184.21

(Continued)

**OTHER PUBLICATIONS**

DHgate.com "CityCarAuto Air Intake Snorkel Kit Airflow Snorkel Car Accessories for for Mitsubishi Triton L200 2015-2017" (online) listed by Miniputao. Retrieved from Internet on Dec. 17, 2019, URL:<https://www.dhgate.com/product/citycarauto-air-intake-snorkel-kit-airflow/481273304.html> (20 pages).\*

*Primary Examiner* — Michael A. Pratt  
*Assistant Examiner* — Wendy L Arminio  
(74) *Attorney, Agent, or Firm* — Allen, Dyer, Doppelt + Gilchrist, PA

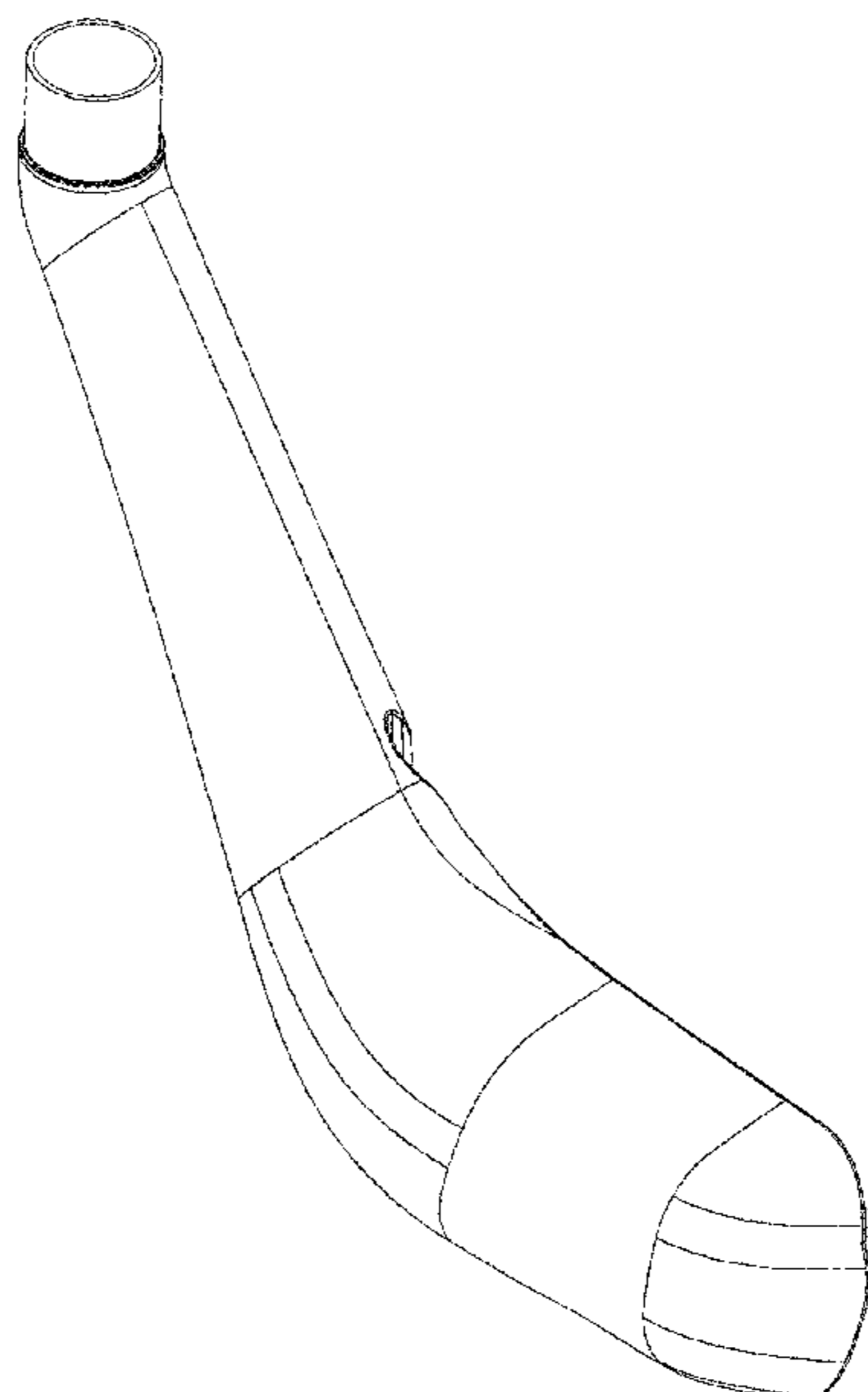
(57) **CLAIM**

The ornamental design for an air intake snorkel for a vehicle, as shown and described.

**DESCRIPTION**

FIG. 1 is a front view of an air intake snorkel for a vehicle; FIG. 2 is a left-side view thereof; FIG. 3 is a left isometric view thereof; FIG. 4 is a rear view thereof; FIG. 5 is a right-side view thereof; and, FIG. 6 is a right isometric view thereof.

**1 Claim, 6 Drawing Sheets**



(56)

**References Cited**

U.S. PATENT DOCUMENTS

2014/0008136 A1\* 1/2014 Bennett ..... B60K 13/02  
180/68.3  
2015/0107563 A1\* 4/2015 Naruoka ..... B62K 11/04  
123/559.1  
2015/0240760 A1\* 8/2015 Lewington ..... F02M 35/164  
95/269  
2018/0319270 A1\* 11/2018 Tier ..... B60K 13/02

\* cited by examiner

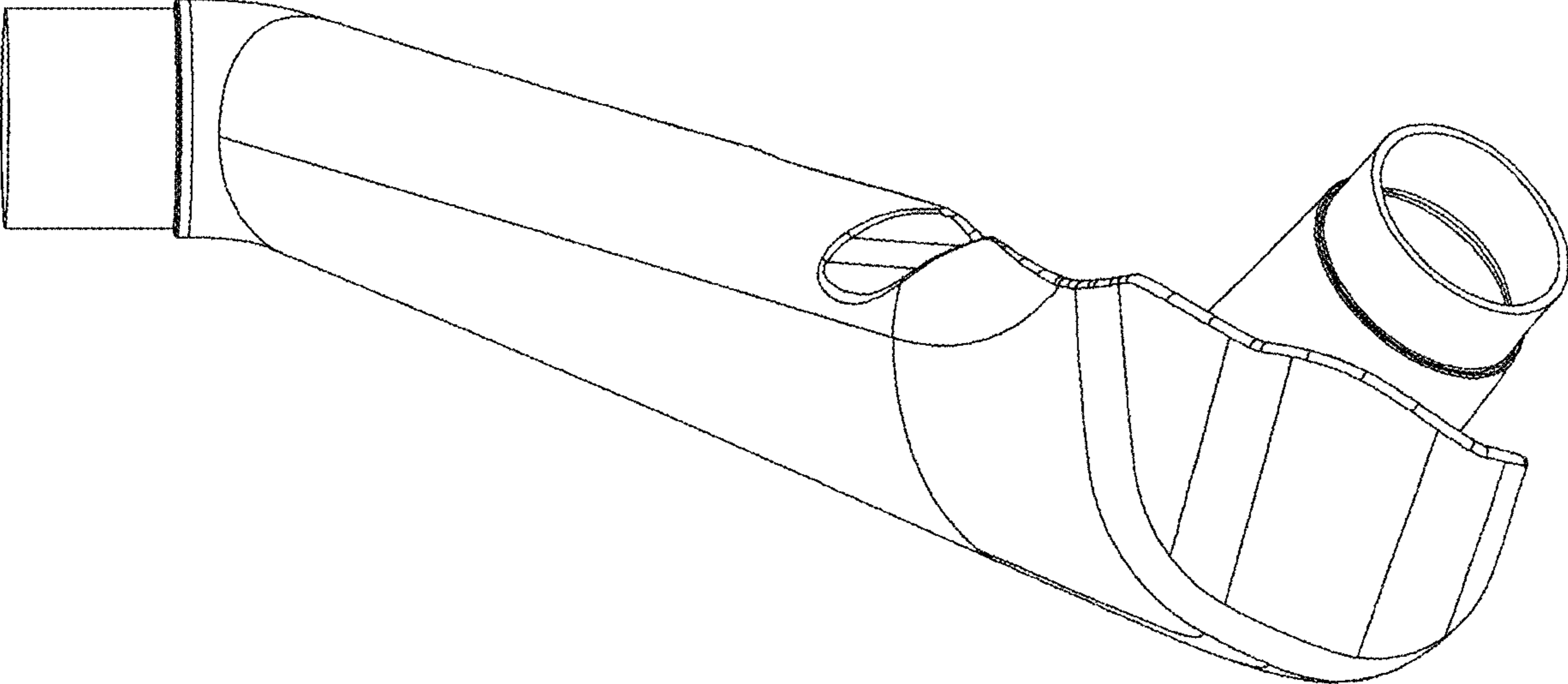


FIG. 1

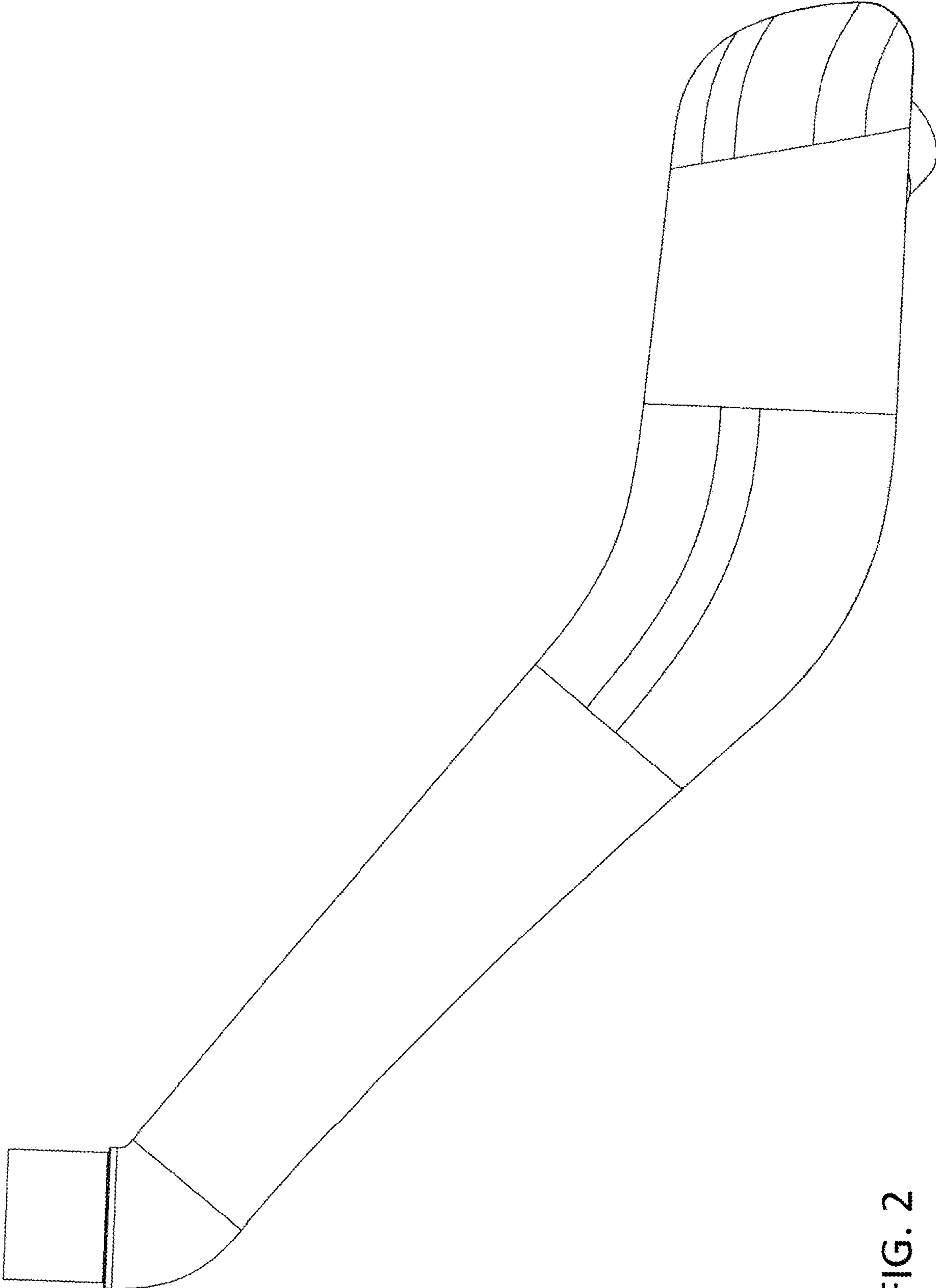


FIG. 2

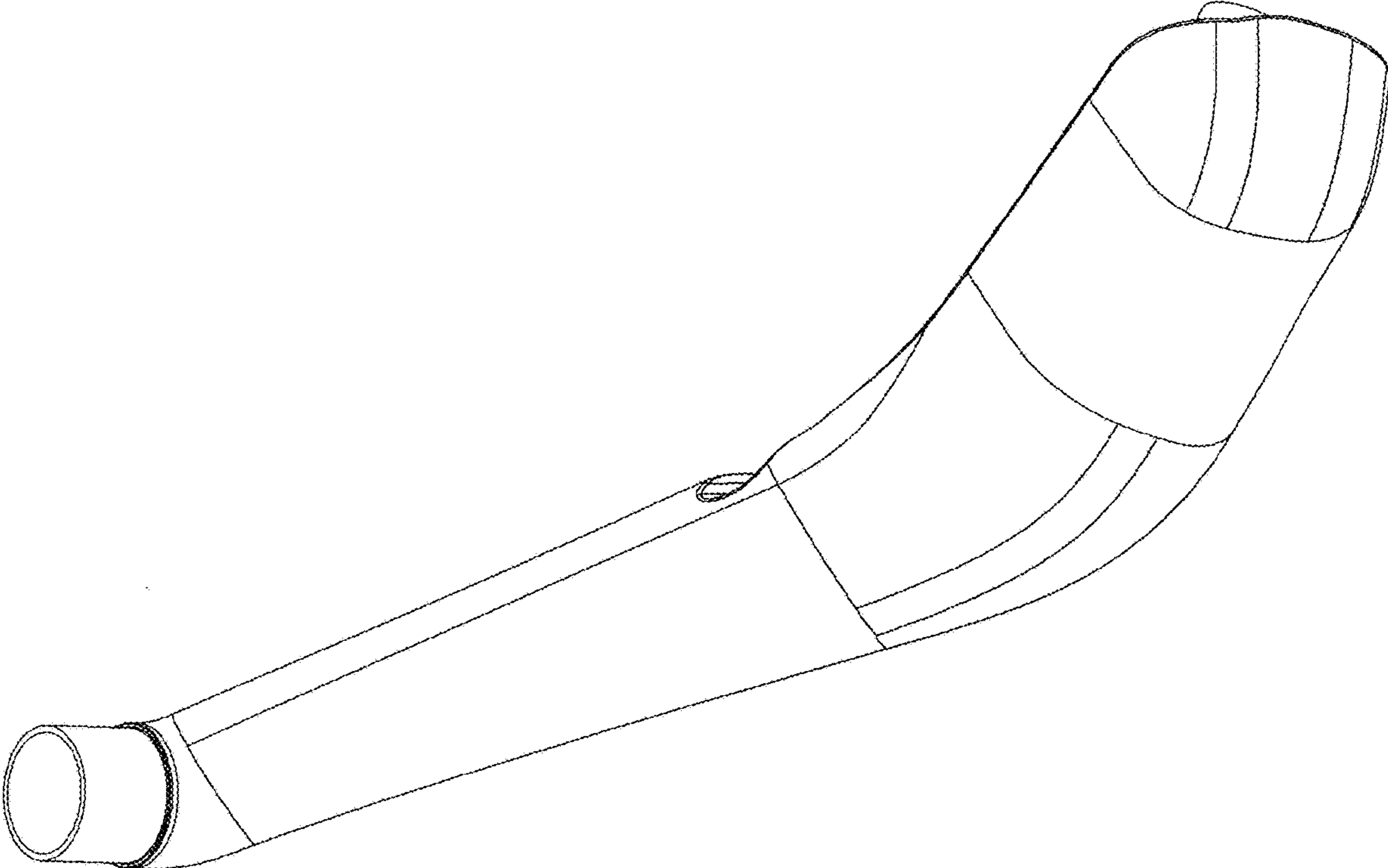


FIG. 3

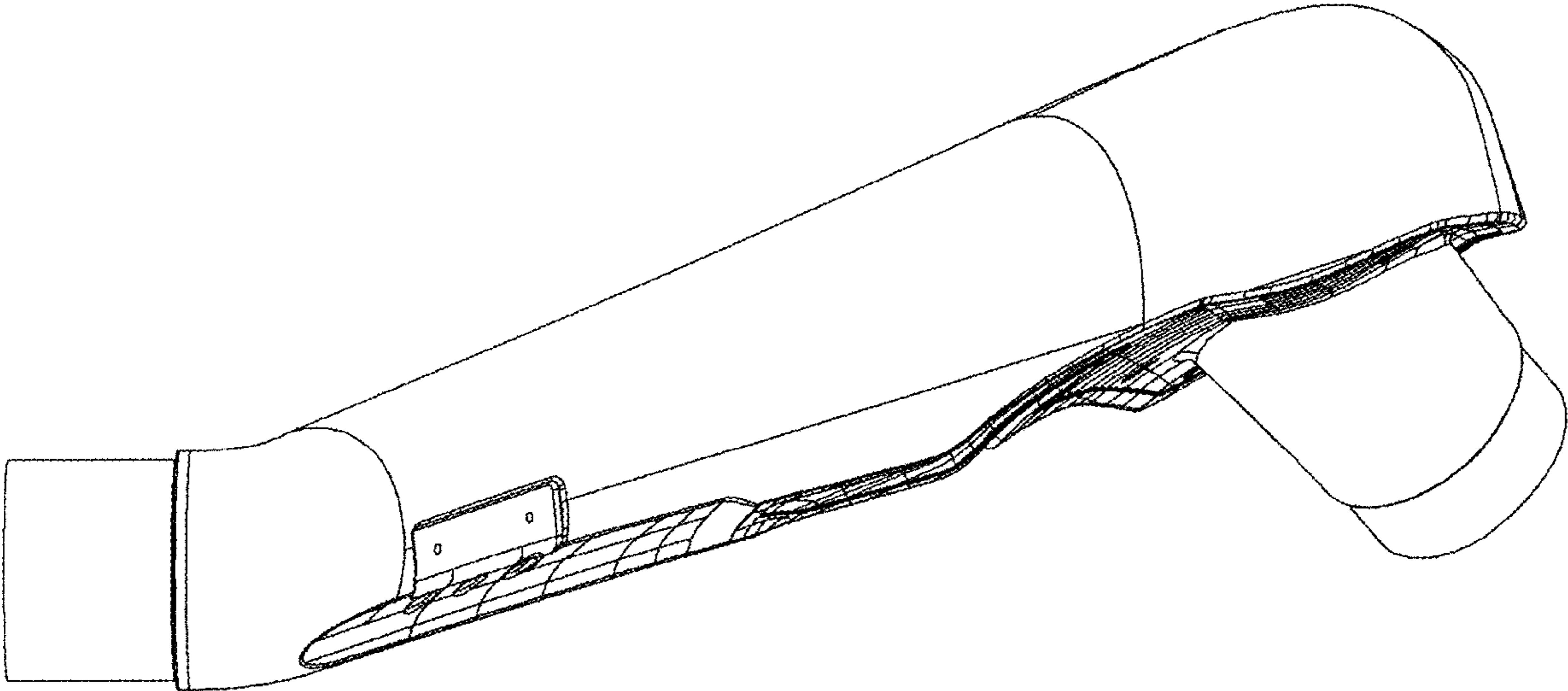


FIG. 4

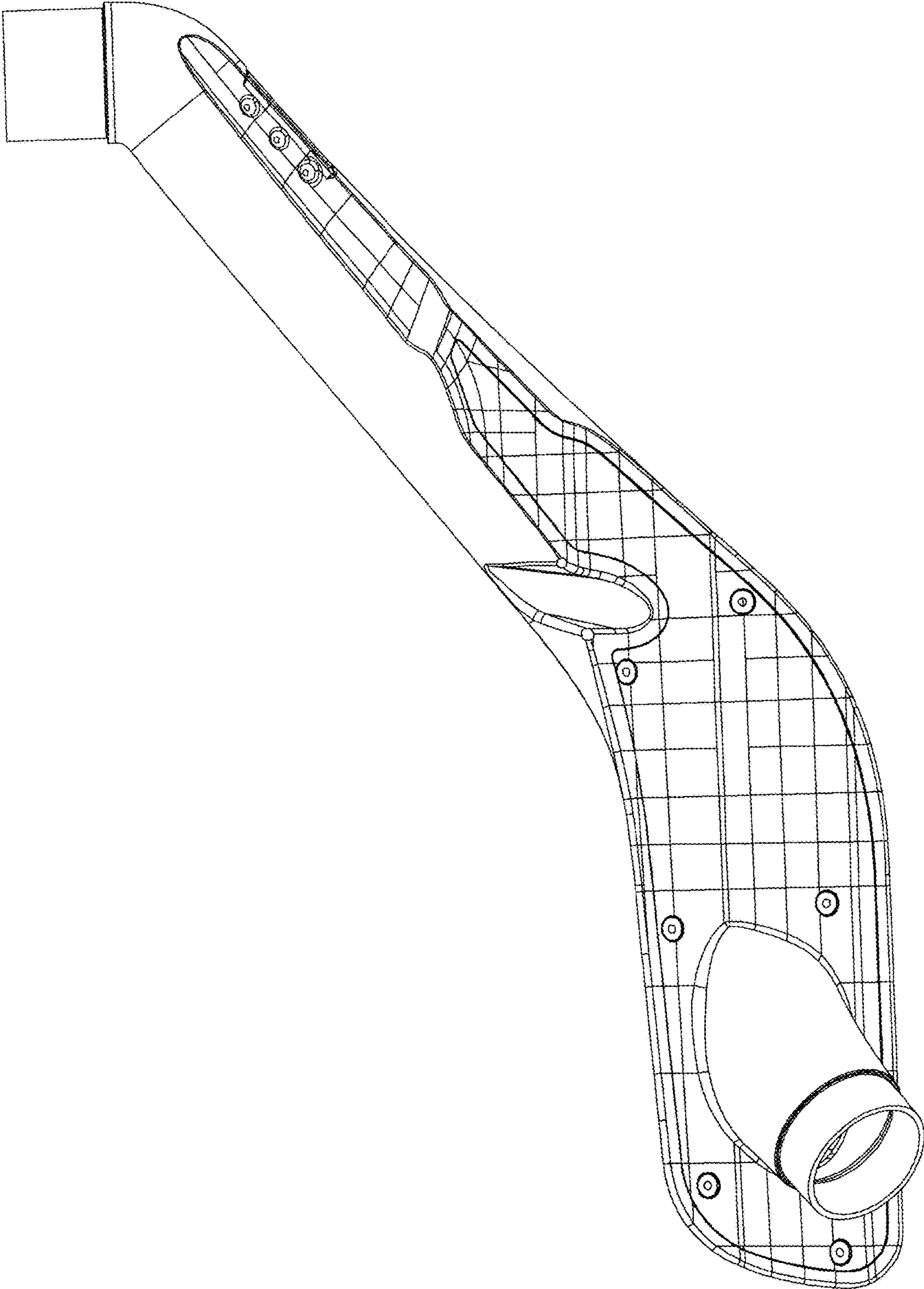


FIG. 5

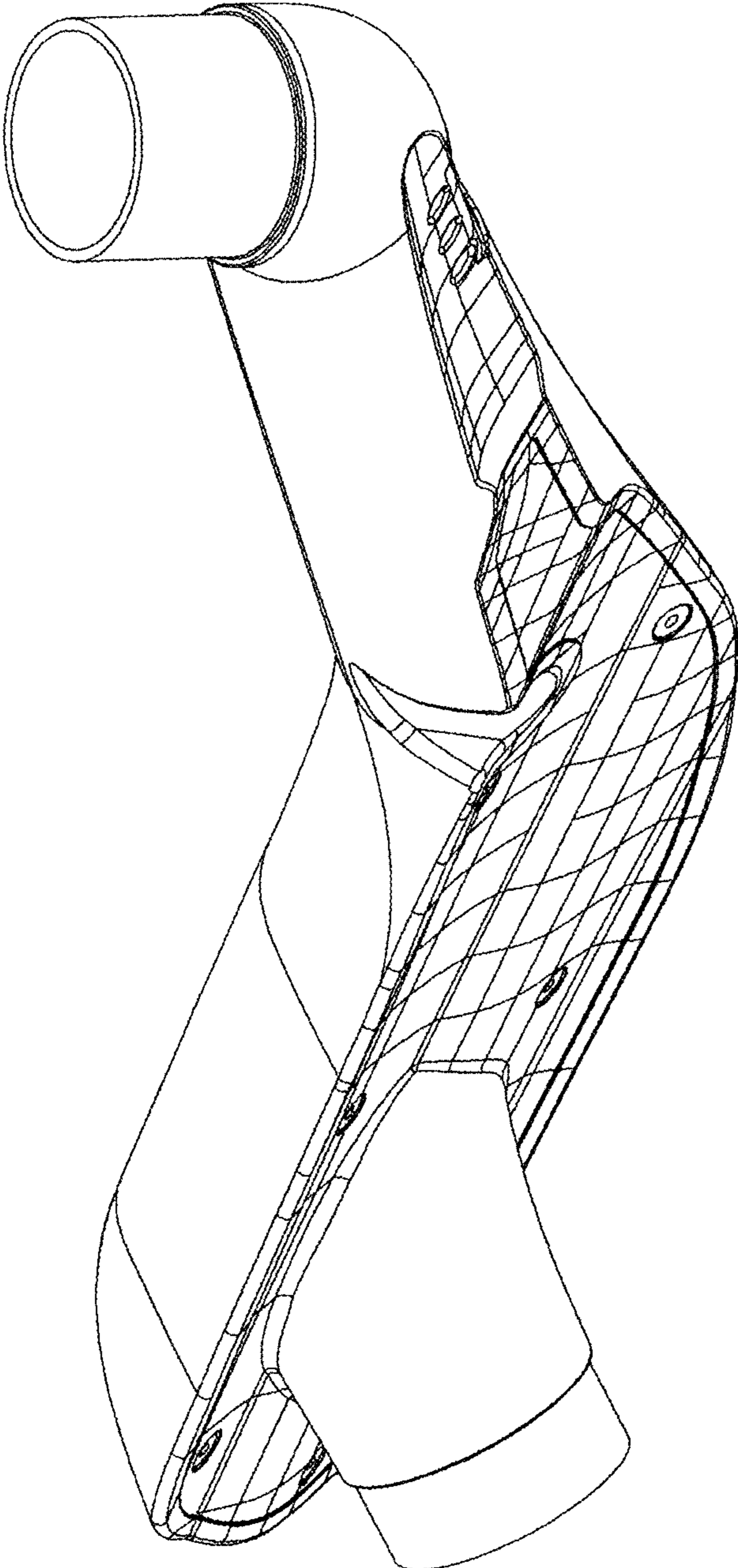


FIG. 6