



US00D882635S

(12) **United States Design Patent**  
**Wickes**

(10) **Patent No.:** **US D882,635 S**  
(45) **Date of Patent:** **\*\* Apr. 28, 2020**

- (54) **SNORKEL CONNECTION HOSE FOR A VEHICLE**
- (71) Applicant: **SAFARI R&D PTY LTD**, Croydon South, Victoria (AU)
- (72) Inventor: **Dean Wickes**, Croydon South (AU)
- (73) Assignee: **Safari R&D Pty Ltd**, Croydon South, Victoria (AU)
- (\*\*) Term: **15 Years**
- (21) Appl. No.: **29/666,271**
- (22) Filed: **Oct. 11, 2018**
- (30) **Foreign Application Priority Data**  
  - Sep. 18, 2018 (AU) ..... 201815572
- (51) **LOC (12) Cl.** ..... **15-01**
- (52) **U.S. Cl.**  
USPC ..... **D15/5**
- (58) **Field of Classification Search**  
USPC ..... D12/194, 400; D15/1, 3, 5; D23/263, D23/266  
CPC ..... B60K 13/02; F02M 35/10  
See application file for complete search history.

D637,206 S *	5/2011	Luxon	.....	D15/5
D642,199 S *	7/2011	Luxon	.....	D15/5
D661,708 S *	6/2012	Bender	.....	D15/5
D714,198 S *	9/2014	Hsu	.....	D12/194
D787,559 S *	5/2017	Nezar	.....	D15/5
D792,470 S *	7/2017	Nezar	.....	D15/5
D810,139 S *	2/2018	Chan	.....	D15/5
D856,373 S *	8/2019	Tallman	.....	D15/5
D857,857 S *	8/2019	Lee	.....	D23/263
D858,720 S *	9/2019	Lee	.....	D23/263
2002/0074801 A1 *	6/2002	Chan	.....	F16L 43/00 285/415
2009/0064959 A1 *	3/2009	Niakan	.....	F02M 35/10078 123/184.53
2010/0147243 A1 *	6/2010	Stec	.....	F02M 35/10013 123/184.21
2017/0130682 A1 *	5/2017	Tallman	.....	F02M 35/10013
2017/0130683 A1 *	5/2017	Somerville	.....	F02M 35/10013

\* cited by examiner

*Primary Examiner* — Michael A. Pratt  
*Assistant Examiner* — Wendy L Arminio  
(74) *Attorney, Agent, or Firm* — Allen, Dyer, Doppelt + Gilchrist, PA

(57) **CLAIM**

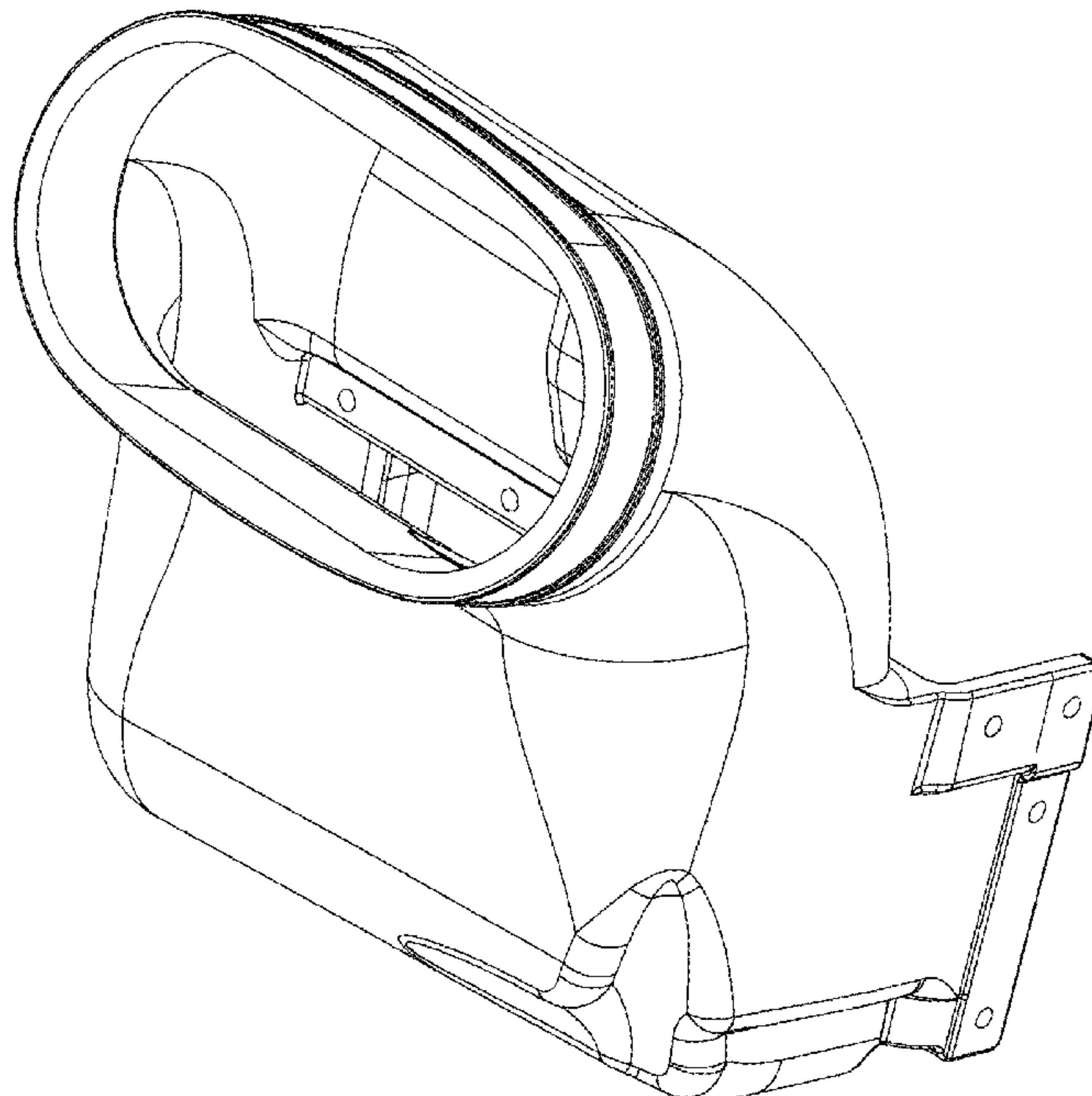
The ornamental design for an snorkel connection hose for a vehicle, as shown and described.

**DESCRIPTION**

FIG. 1 is a front view of a snorkel connection hose for a vehicle;  
FIG. 2 is a left-side view thereof;  
FIG. 3 is a left isometric view thereof;  
FIG. 4 is a rear view thereof;  
FIG. 5 is a right-side view thereof; and,  
FIG. 6 is a right isometric view thereof.

**1 Claim, 6 Drawing Sheets**

- (56) **References Cited**  
U.S. PATENT DOCUMENTS
- 5,076,345 A \* 12/1991 Tausk ..... B22C 9/046  
164/34
- D533,189 S \* 12/2006 Bender ..... D15/5
- D545,725 S \* 7/2007 Zimbaro ..... D12/114
- 7,685,985 B2 \* 3/2010 Madeira ..... F02M 35/10144  
123/184.21
- D637,205 S \* 5/2011 Luxon ..... D15/5



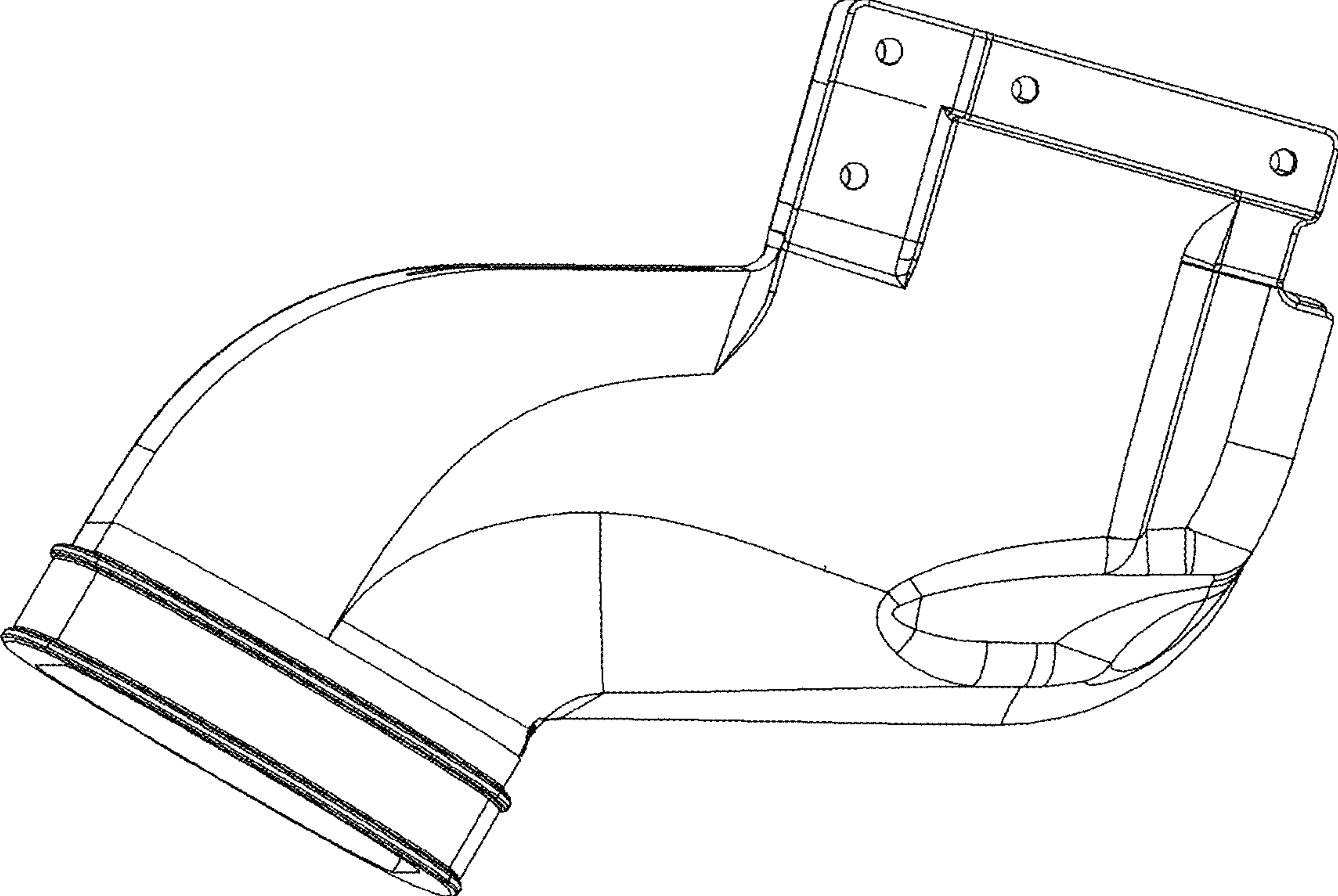


FIG. 1

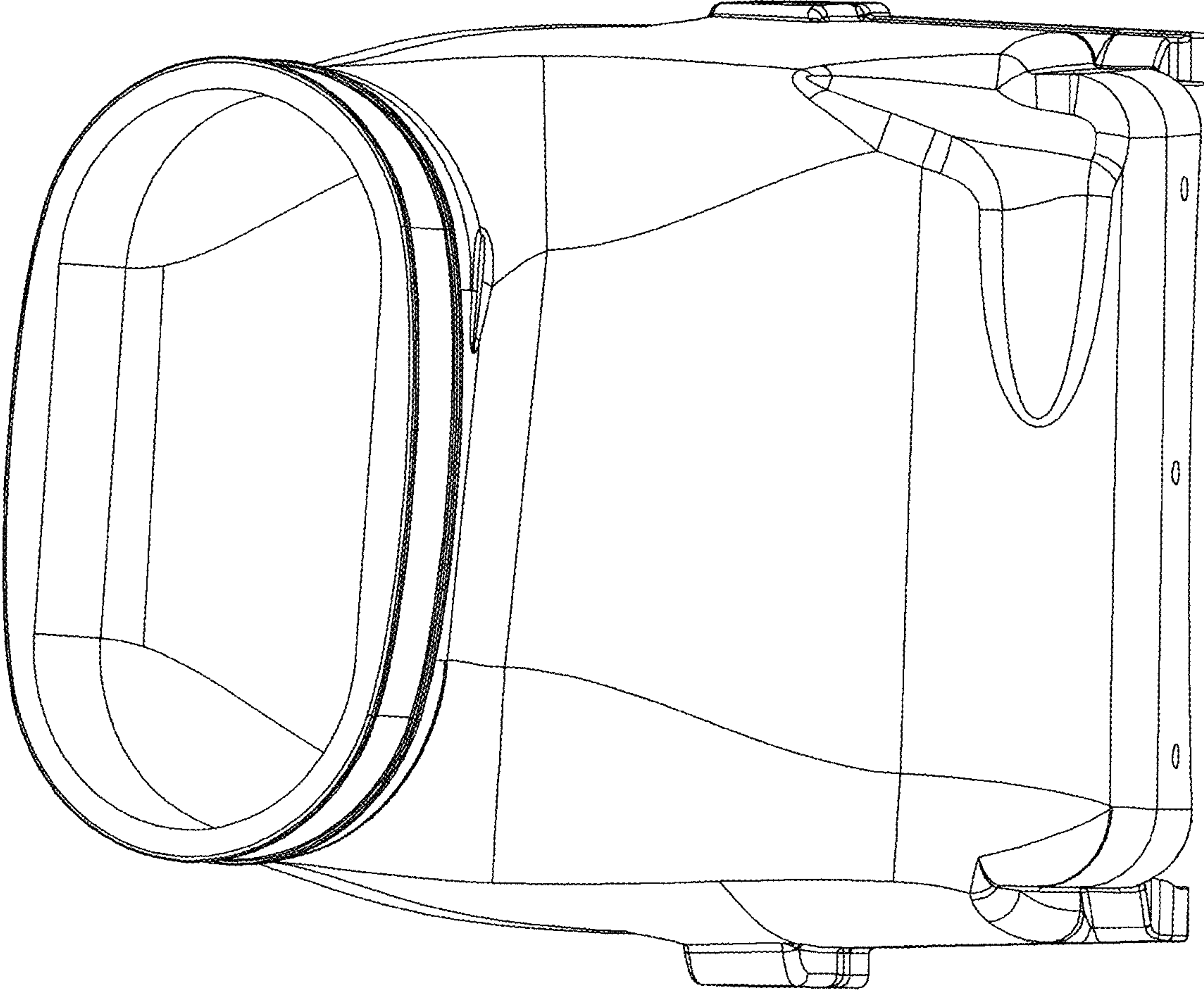


FIG. 2

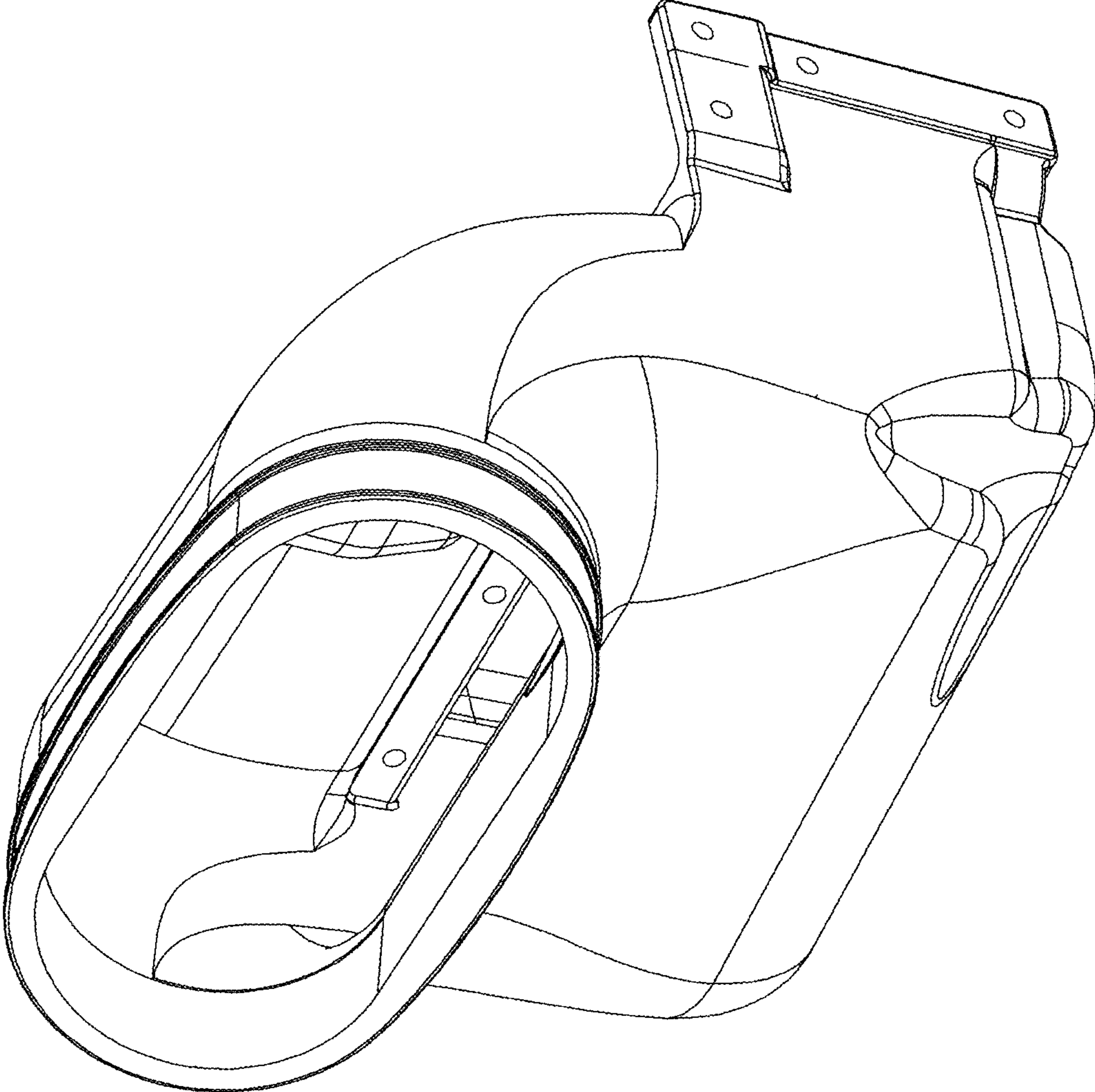


FIG. 3



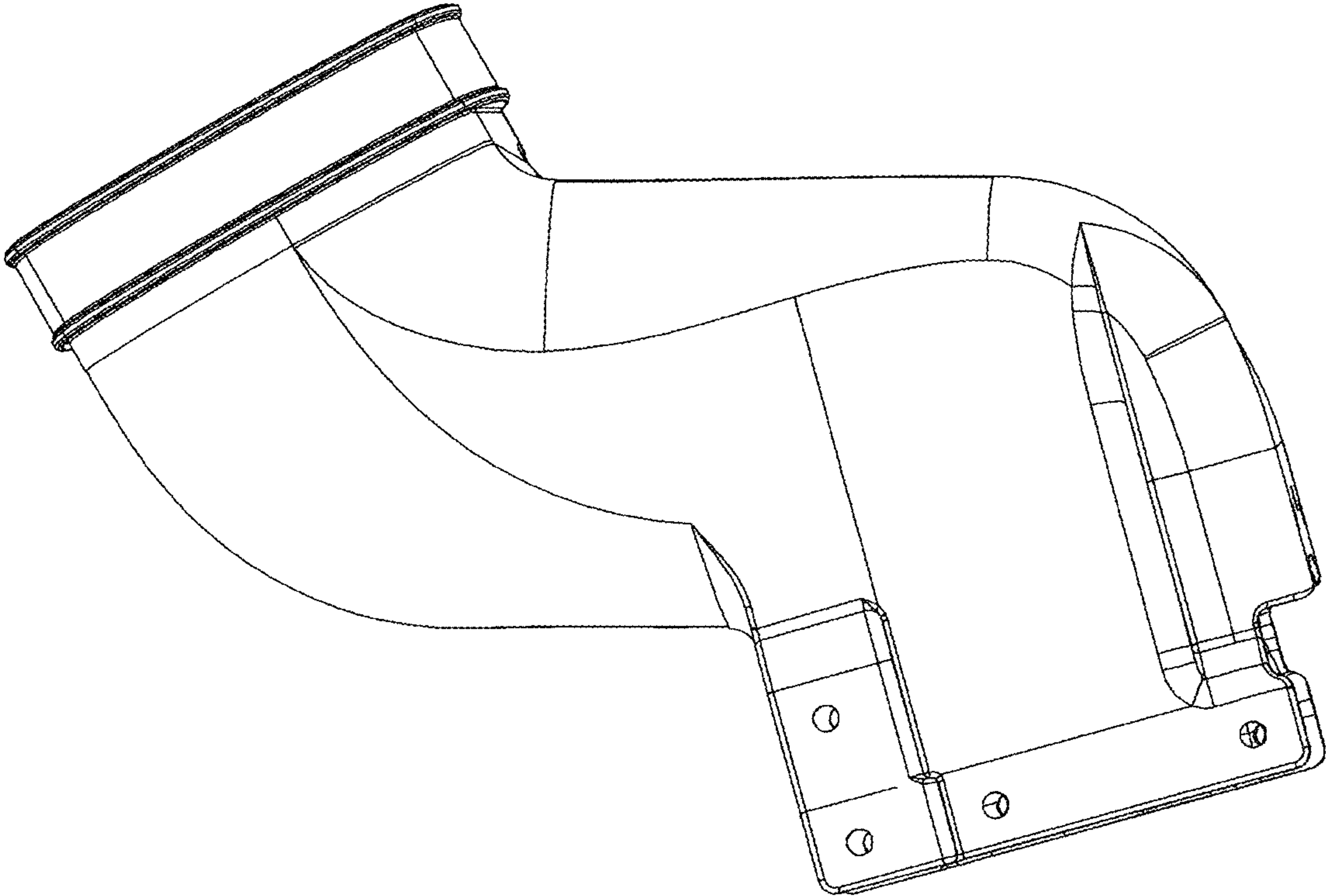


FIG. 4

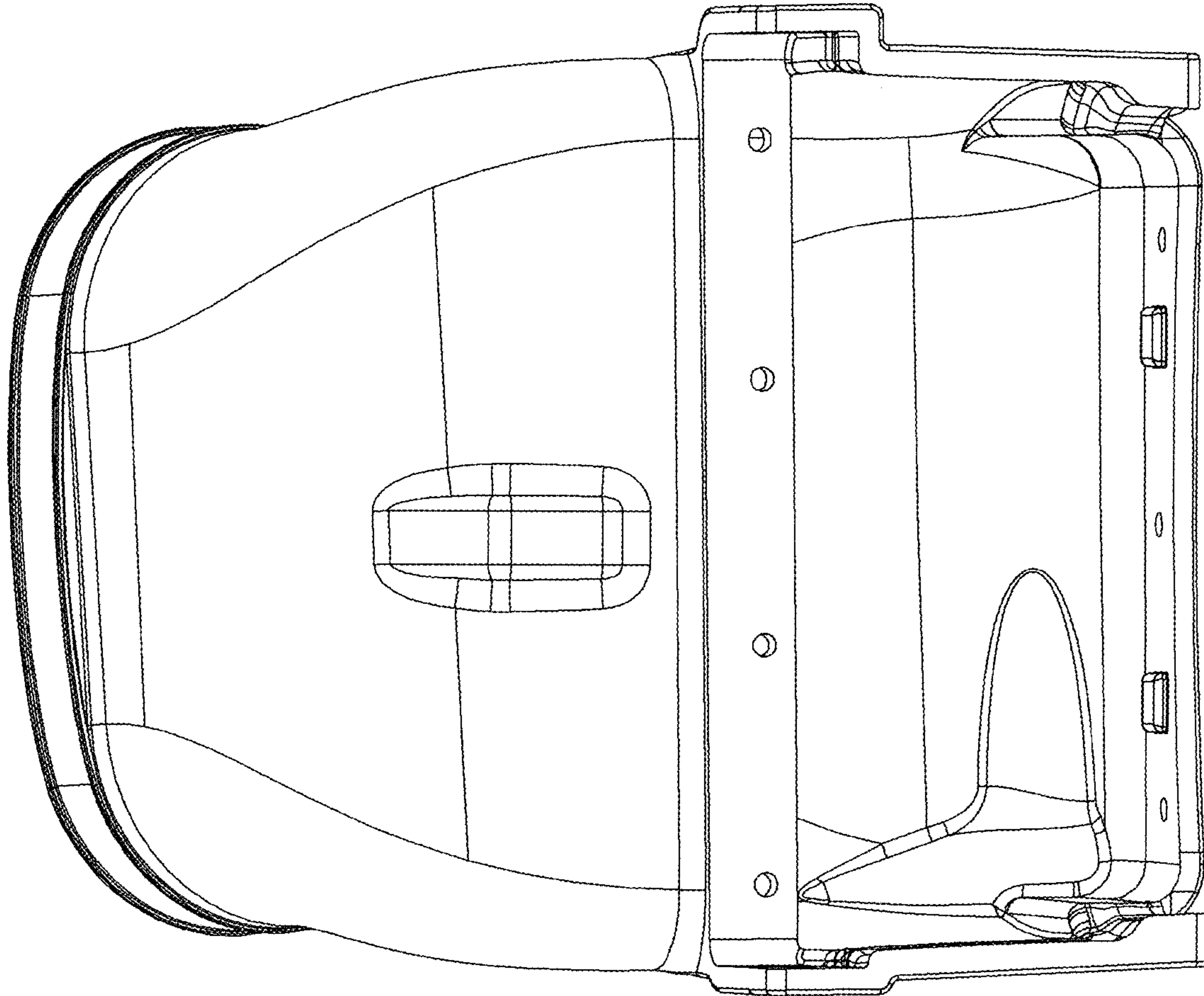


FIG. 5

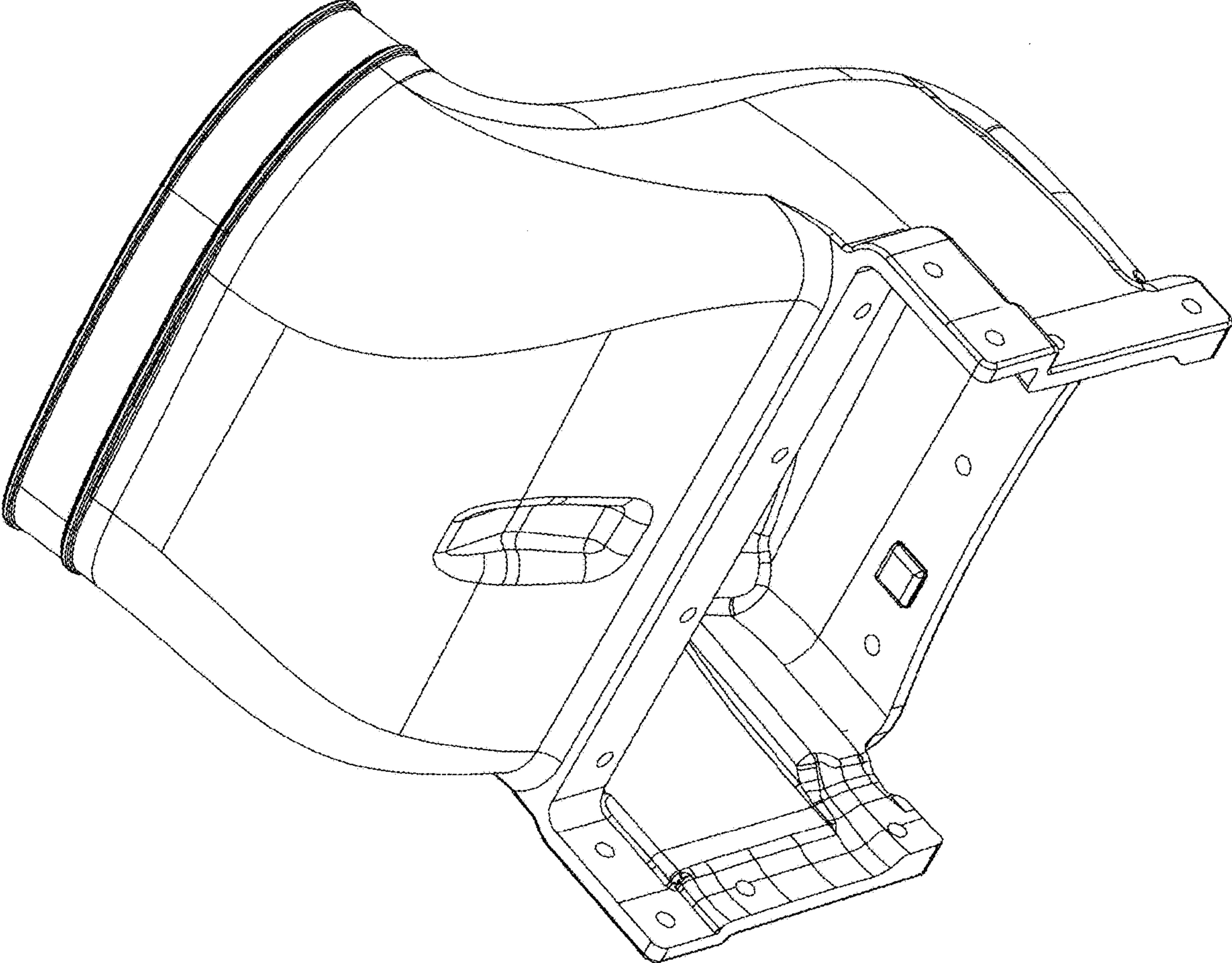


FIG. 6