



US00D882634S

(12) **United States Design Patent**  
**Guglielmo et al.**

(10) **Patent No.:** **US D882,634 S**

(45) **Date of Patent:** **\*\* Apr. 28, 2020**

(54) **FLUID MIXER**

(71) Applicant: **EControls, LLC**, San Antonio, TX  
(US)

(72) Inventors: **Kennon Guglielmo**, San Antonio, TX  
(US); **Michael W Walser**, Comfort, TX  
(US); **Randall W Walser**, Canadian,  
TX (US); **Justin H Sanders**, San  
Antonio, TX (US)

(73) Assignee: **EControls, LLC**, San Antonio, TX  
(US)

(\*\*) Term: **15 Years**

(21) Appl. No.: **29/638,717**

(22) Filed: **Feb. 28, 2018**

(51) **LOC (12) Cl.** ..... **15-01**

(52) **U.S. Cl.**  
USPC ..... **D15/1**

(58) **Field of Classification Search**  
USPC ..... D7/376, 378, 412; D8/14; D15/1, 5, 9,  
D15/9.1, 9.2, 130, 131, 144, 144.1, 147;  
D23/200, 211.1, 220  
CPC ..... F23R 3/286; Y02T 50/675  
See application file for complete search history.

(56) **References Cited**

**U.S. PATENT DOCUMENTS**

D282,370 S *	1/1986	Ogren .....	D15/122
D282,371 S *	1/1986	Johansson .....	D15/122
D341,608 S *	11/1993	Fries .....	D15/147
D368,762 S *	4/1996	Buergi .....	D23/213
D392,523 S *	3/1998	Alworth .....	D8/14
D529,526 S *	10/2006	Gringer .....	D15/147
D598,479 S *	8/2009	Seiler .....	D15/147
D671,561 S *	11/2012	Nam .....	D15/9
D705,286 S *	5/2014	Kehoe .....	D15/147

D705,829 S *	5/2014	Aeberhard .....	D15/147
D706,581 S *	6/2014	Pendleton .....	D7/376
D708,902 S *	7/2014	Audette .....	D7/376
D709,324 S *	7/2014	Guo .....	D7/376
D709,591 S *	7/2014	Hoefken .....	D23/200
D746,883 S *	1/2016	Strommer .....	D15/138
D754,765 S *	4/2016	Nielsen .....	D15/144.1
D802,113 S *	11/2017	Hoss .....	D23/370
D816,739 S *	5/2018	Hansen .....	D15/122
D818,414 S *	5/2018	Bills .....	D12/214
D819,099 S *	5/2018	Andersson .....	D15/147
D819,414 S *	6/2018	Solomon .....	D7/700
10,130,921 B2 *	11/2018	Hoefken .....	B01F 7/00541
10,195,573 B2 *	2/2019	Hoefken .....	B01F 7/00541
D848,485 S *	5/2019	Kurokawa .....	D15/5

\* cited by examiner

*Primary Examiner* — Michael C Stout

*Assistant Examiner* — Fritzgerald L Butac

(74) *Attorney, Agent, or Firm* — William H. Quirk; Jesse  
L. Frizzell; Rosenthal Pauerstein Sandoloski Agather LLC

(57) **CLAIM**

We claim the ornamental design for a fluid mixer, substantially as shown and described.

**DESCRIPTION**

FIG. 1 is a perspective view of the fluid mixer in accordance with the present design.

FIG. 2 is a top plan view of the fluid mixer of FIG. 1.

FIG. 3 is a bottom plan view of the fluid mixer of FIG. 1.

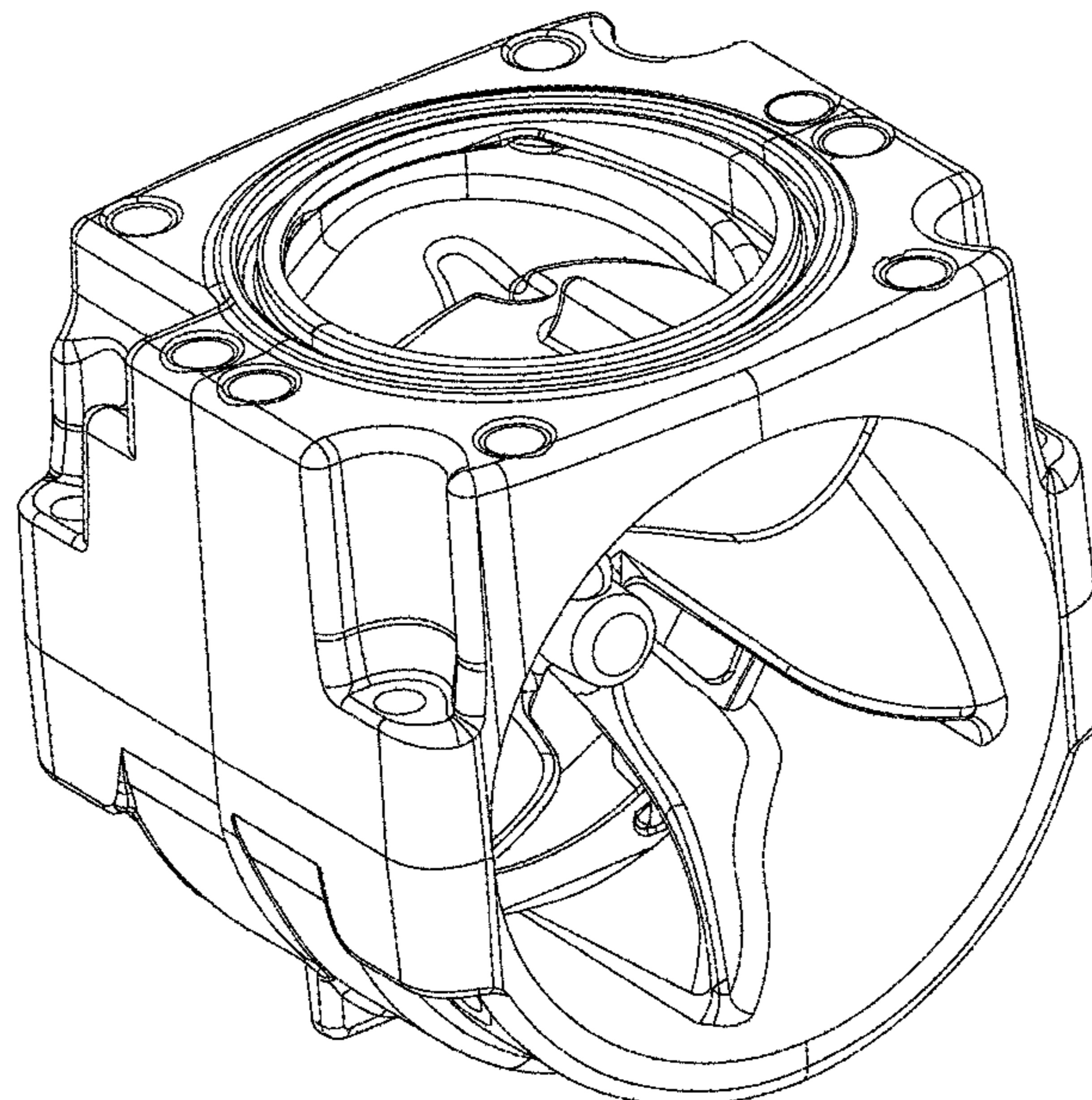
FIG. 4 is a rear elevational view of the fluid mixer of FIG. 1.

FIG. 5 is a right side elevational view of the fuel throttle of FIG. 1.

FIG. 6 is a front elevational view of the fluid mixer of FIG. 1; and,

FIG. 7 is a left side elevational view of the fluid mixer of FIG. 1.

**1 Claim, 7 Drawing Sheets**



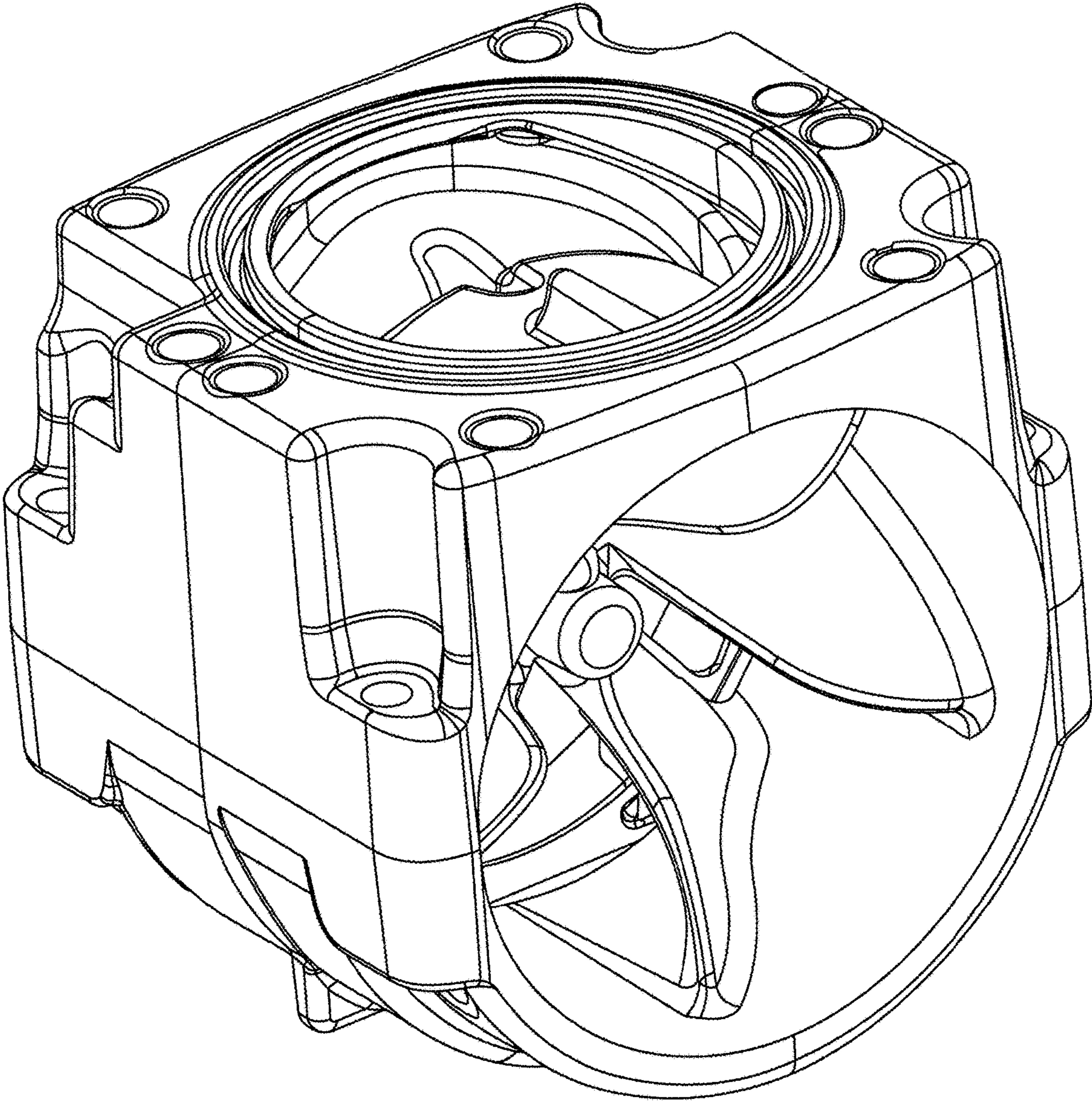


FIG. 1



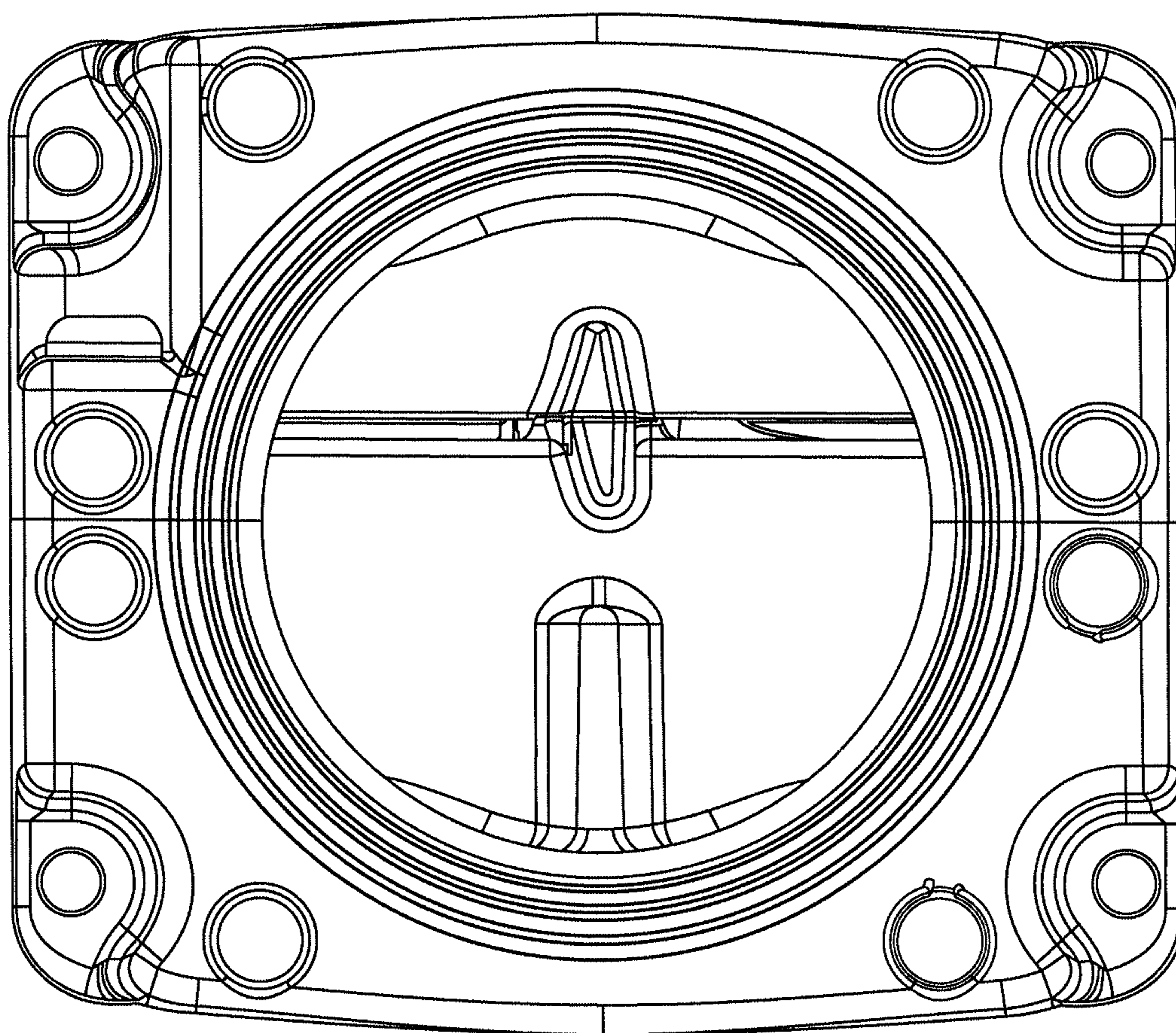


FIG. 2

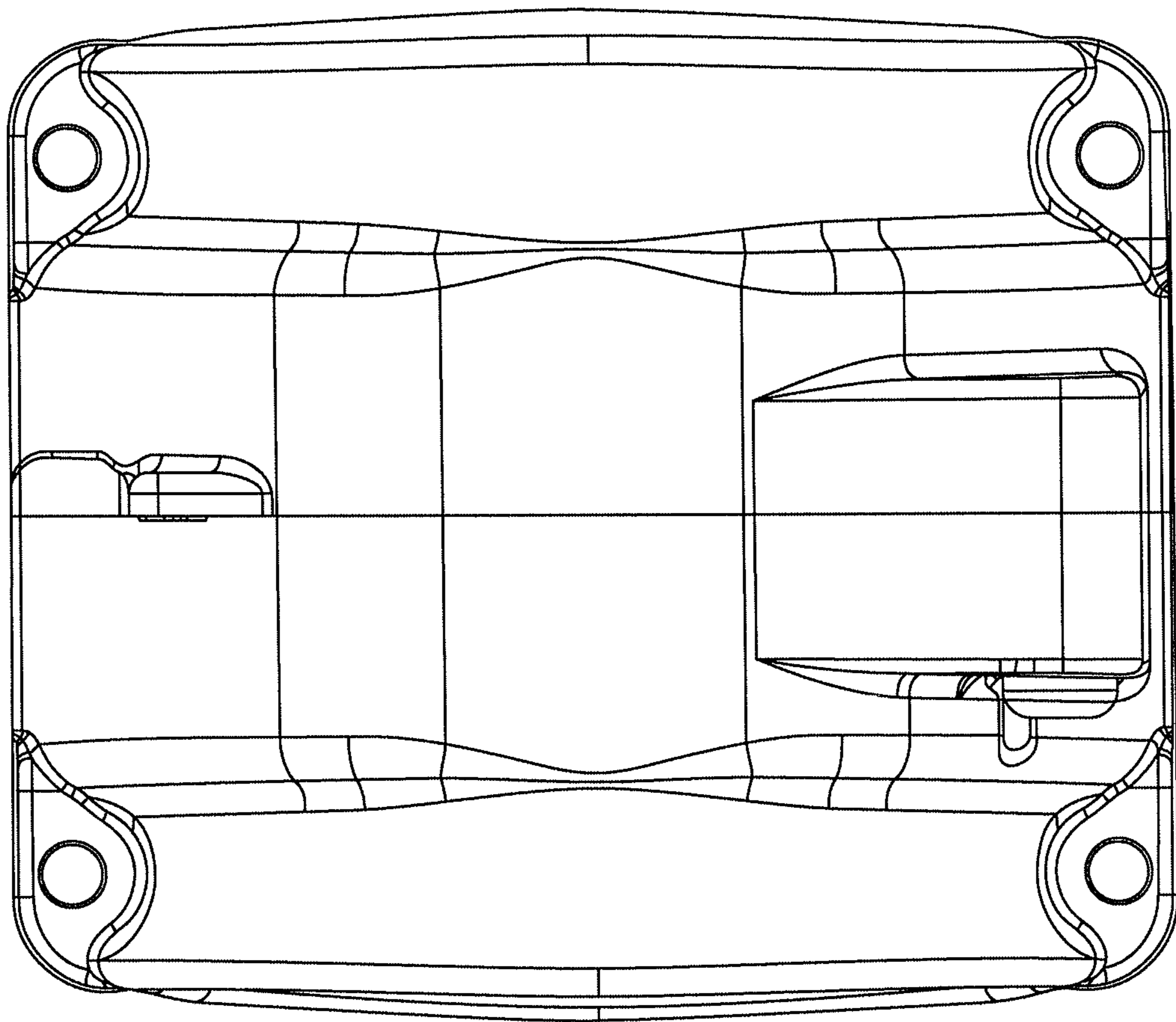


FIG. 3

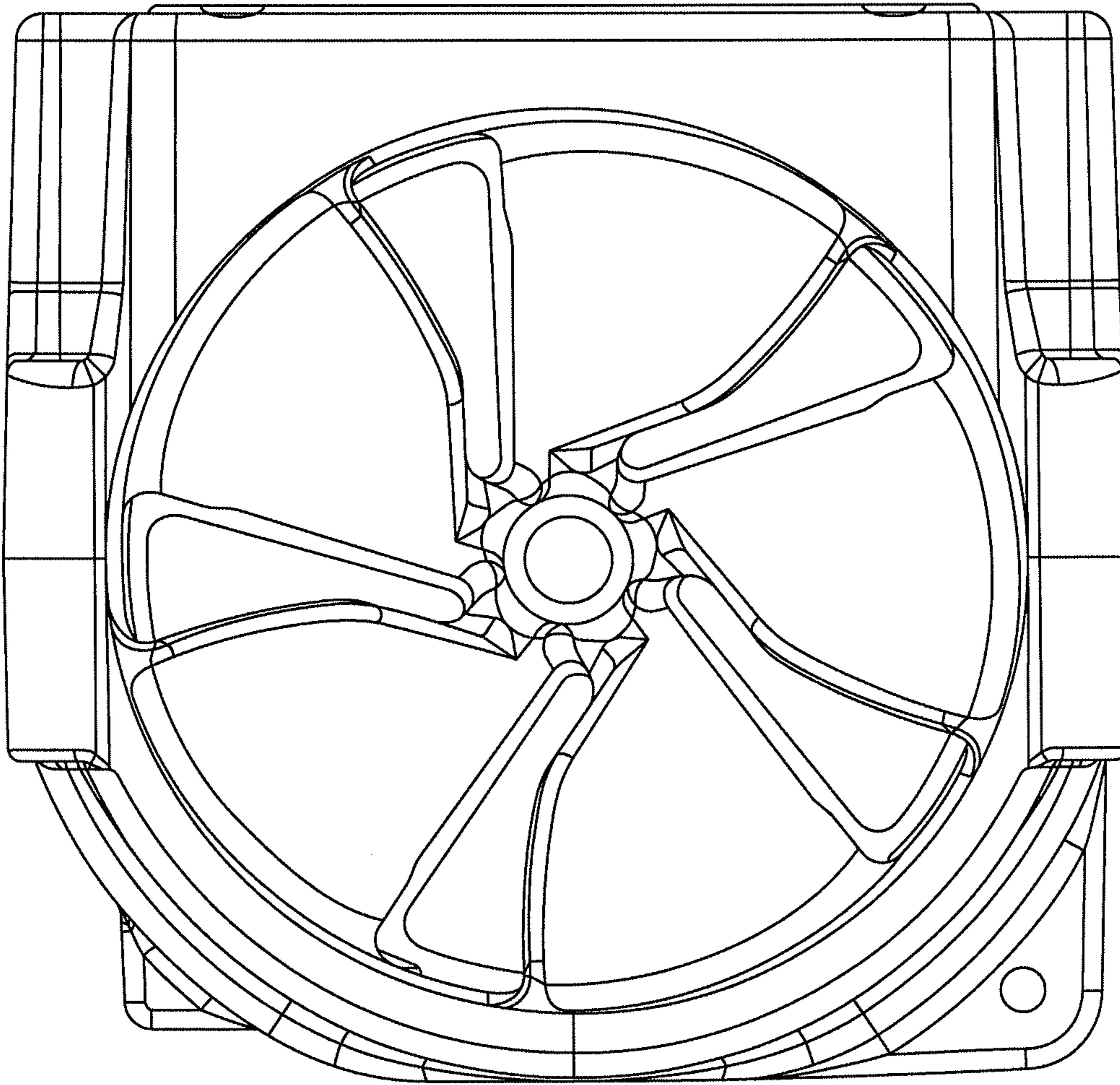


FIG. 4

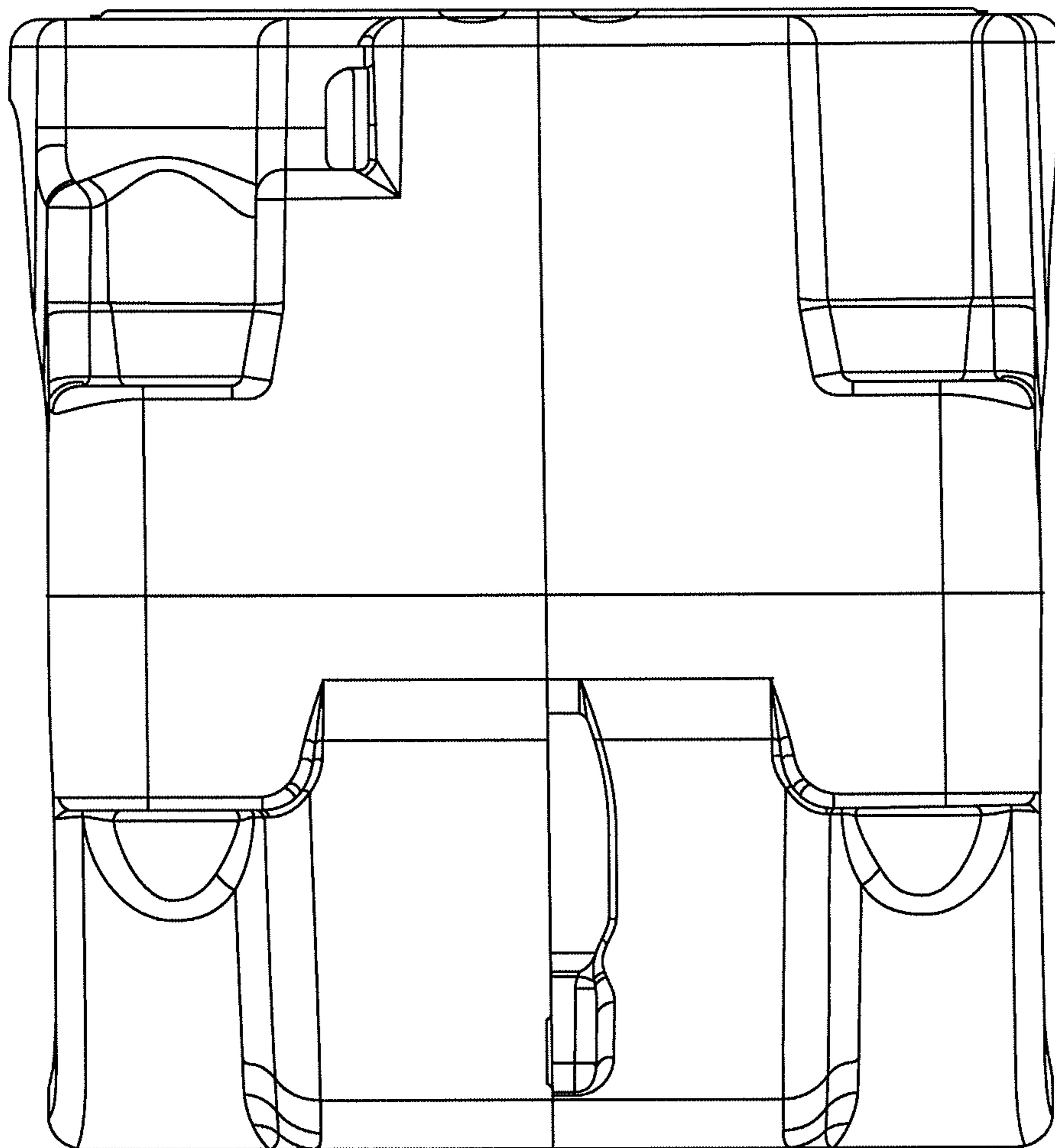


FIG. 5



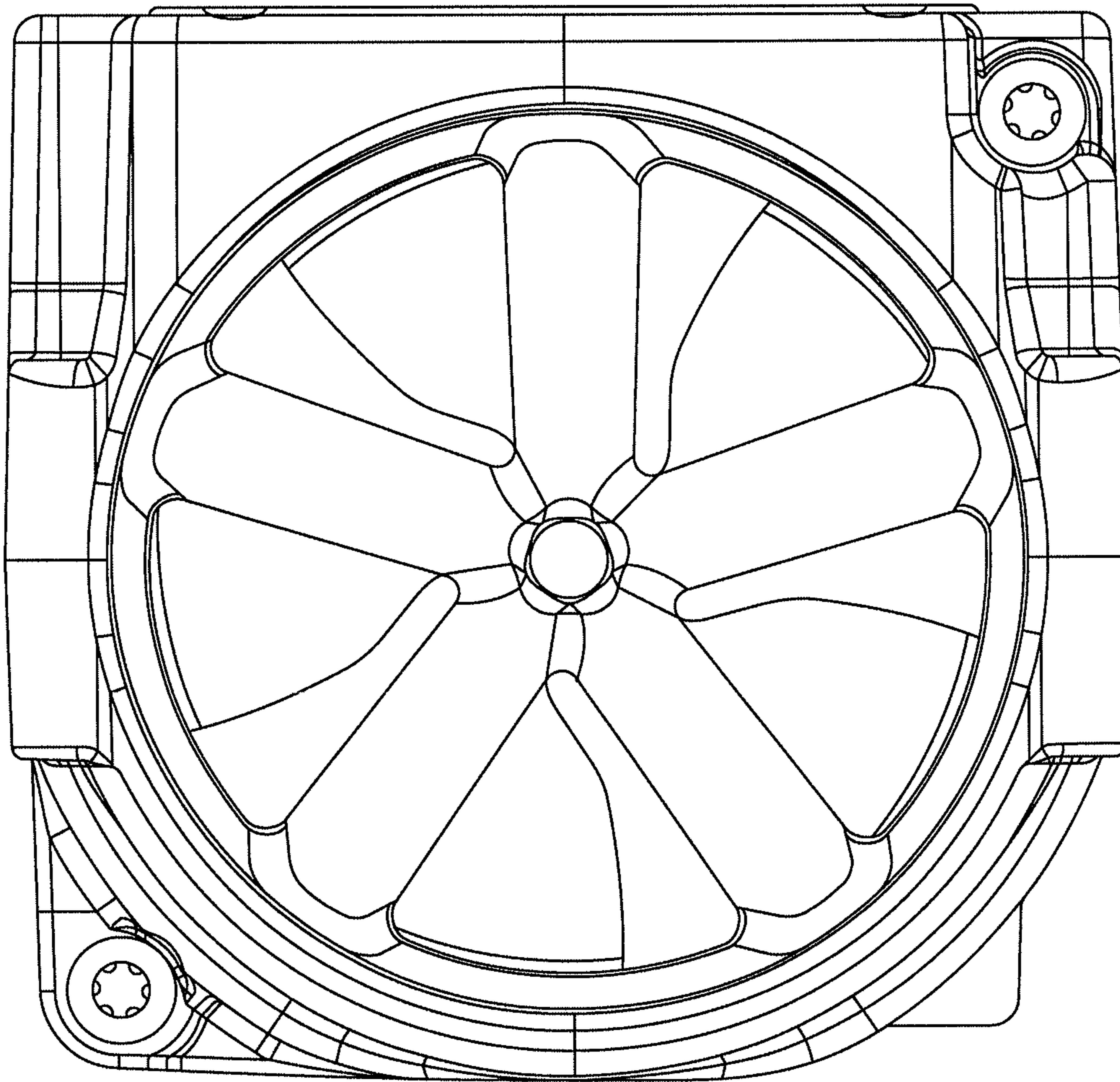


FIG. 6

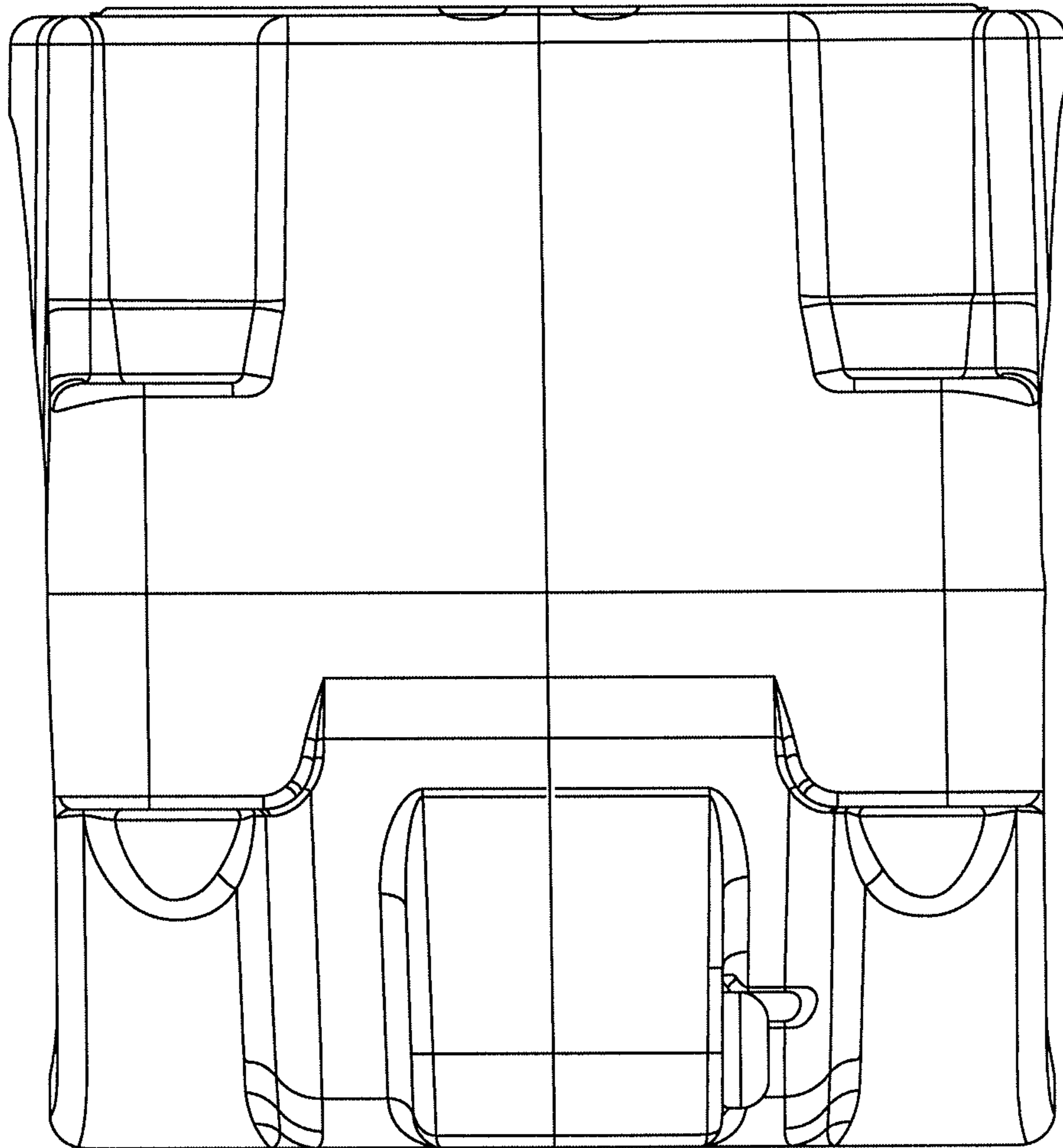


FIG. 7