



US00D882626S

(12) **United States Design Patent**
Yan

(10) **Patent No.:** **US D882,626 S**
(45) **Date of Patent:** **** Apr. 28, 2020**

(54) **DISPLAY SCREEN OR PORTION THEREOF WITH AN ANIMATED GRAPHICAL USER INTERFACE**

(71) Applicant: **BEIJING KUAIMAJIABIAN TECHNOLOGY CO., LTD.**, Beijing (CN)

(72) Inventor: **Jun Yan**, Beijing (CN)

(73) Assignee: **Beijing Kuaimajian Technology Co., Ltd.**, Beijing (CN)

(**) Term: **15 Years**

(21) Appl. No.: **29/663,873**

(22) Filed: **Sep. 19, 2018**

(30) **Foreign Application Priority Data**

Mar. 21, 2018 (CN) 2018 3 0105277

(51) **LOC (12) Cl.** **14-04**

(52) **U.S. Cl.**
USPC **D14/488**

(58) **Field of Classification Search**

USPC D14/485-495; D20/11; D21/324, 325
CPC G06F 3/048; G06F 3/0481; G06F 3/04817;
G06F 3/0482; G06F 3/0483; G06F 3/04842; G06F 3/0485; G06F 3/04855;
G06F 3/0486; G06F 3/0488; G06F 3/04886; G06F 9/4443; G06F 17/211;
G06F 17/212; G09B 5/00; H04L 12/2807
See application file for complete search history.

(56) **References Cited**

U.S. PATENT DOCUMENTS

5,392,388 A * 2/1995 Gibson G06F 3/04845
345/684
D669,499 S * 10/2012 Gardner D14/495
D700,207 S * 2/2014 Pearson D14/488

D761,277 S * 7/2016 Harvell D14/485
D763,269 S * 8/2016 Lee D14/485
D763,868 S * 8/2016 Lee D14/485
D763,910 S * 8/2016 Drozd D14/485
D785,658 S * 5/2017 Moroney D14/486
D791,806 S * 7/2017 Brewington D14/486

(Continued)

OTHER PUBLICATIONS

“CircularProgressDrawable” Apr. 27, 2015, posted at android-arsenal.com, [site visited Dec. 17, 2019]. <https://android-arsenal.com/details/1/1071> (Year: 2015).*

(Continued)

Primary Examiner — Jack Reickel

Assistant Examiner — John M Otte

(74) *Attorney, Agent, or Firm* — BakerHostetler

(57) **CLAIM**

The ornamental design for a display screen or portion thereof with an animated graphical user interface, as shown and described.

DESCRIPTION

FIG. 1 is a front view of a first image in a sequence for a display screen or portion thereof with an animated graphical user interface showing our new design;

FIG. 2 is a front view of a second image thereof;

FIG. 3 is a front view of a third image thereof;

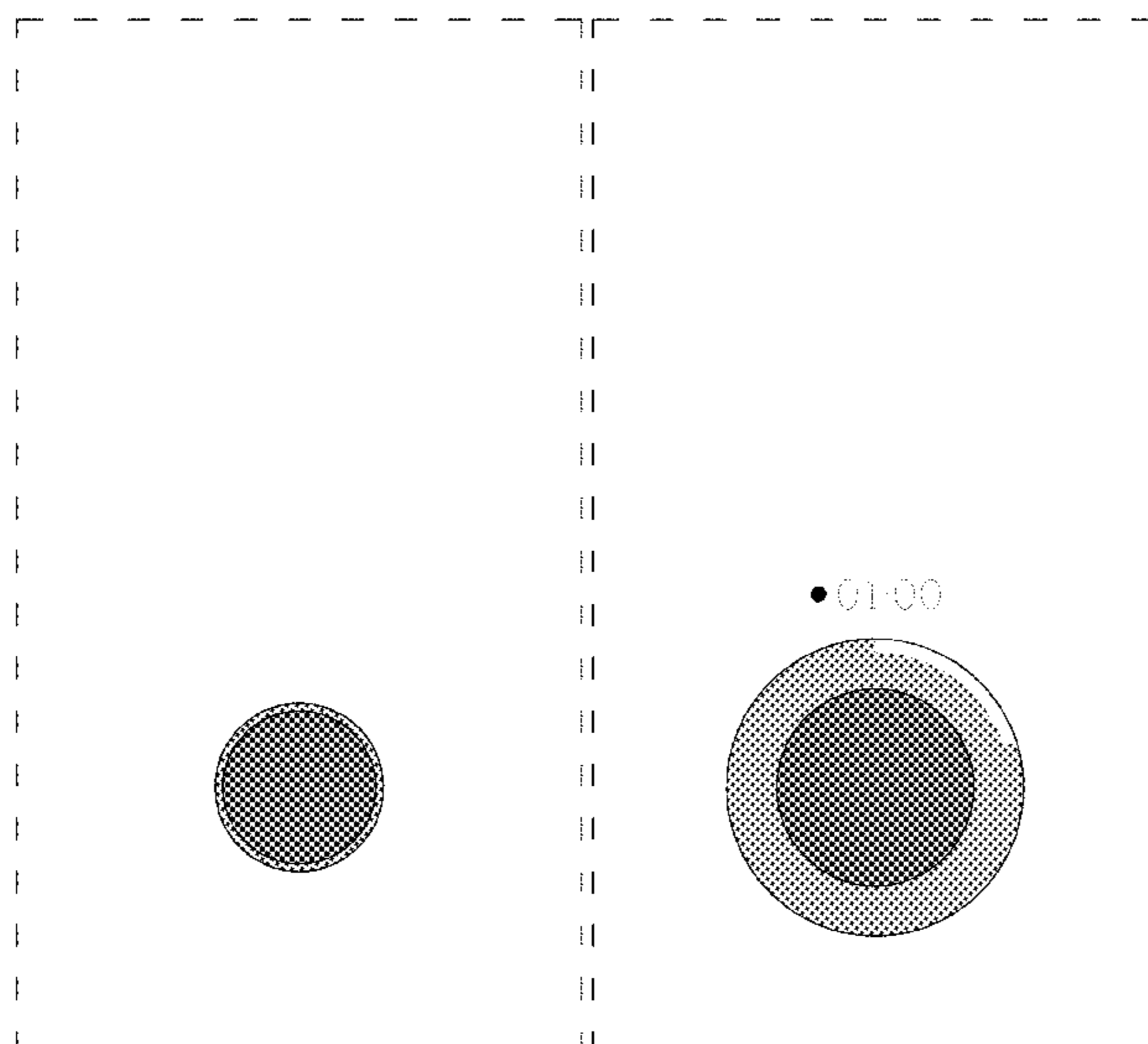
FIG. 4 is a front view of a fourth image thereof; and,

FIG. 5 is a front view of a fifth image thereof.

The broken lines shown in the figures represent portions of the display screen or portion thereof with an animated graphical user interface that form no part of the claimed design.

The appearance of the transitional image sequentially transitions between the images shown in FIGS. 1-5. The process or period in which one image transitions to another forms no part of the claimed design.

1 Claim, 3 Drawing Sheets



(56)

References Cited

U.S. PATENT DOCUMENTS

D803,242 S * 11/2017 Mizono H04L 12/2807
D14/486
D806,114 S * 12/2017 Kim D14/488
D853,441 S * 7/2019 Khandelwal D14/491
2017/0294136 A1 * 10/2017 Sada G09B 5/00

OTHER PUBLICATIONS

Coyier, Chris, "CSS3 Loading Spinner" Feb. 10, 2011, posted at [css-tricks.com](https://css-tricks.com/css3-loading-spinner), [site visited Dec. 17, 2019]. <https://css-tricks.com/css3-loading-spinner> (Year: 2011).*

Babich, Nick, "Best Practices for Animated Progress Indicators" Dec. 7, 2016, posted at [smashingmagazine.com](https://www.smashingmagazine.com/2016/12/best-practices-for-animated-progress-indicators), [site visited Dec. 17, 2019]. <https://www.smashingmagazine.com/2016/12/best-practices-for-animated-progress-indicators> (Year: 2016).*

* cited by examiner

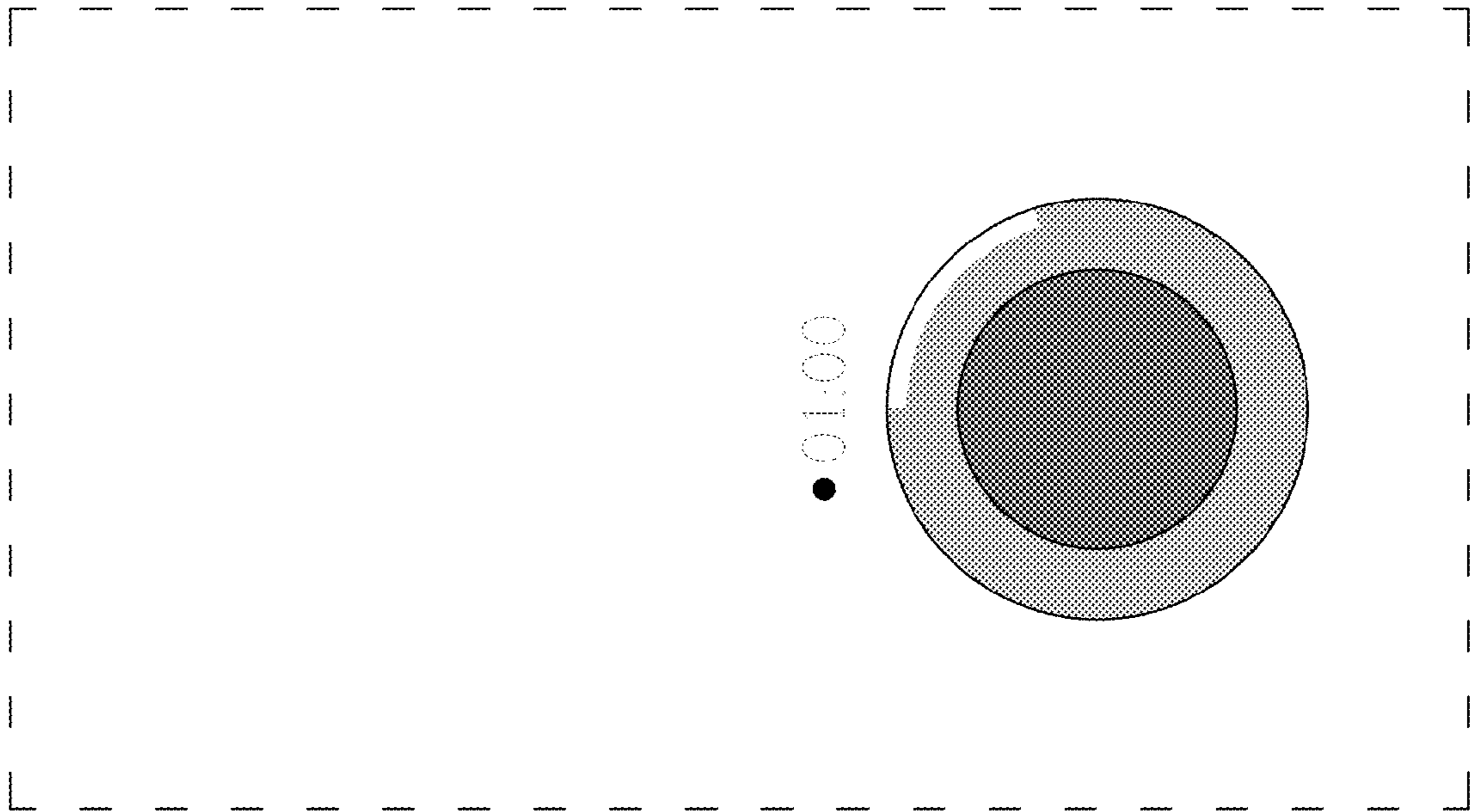


FIG. 1

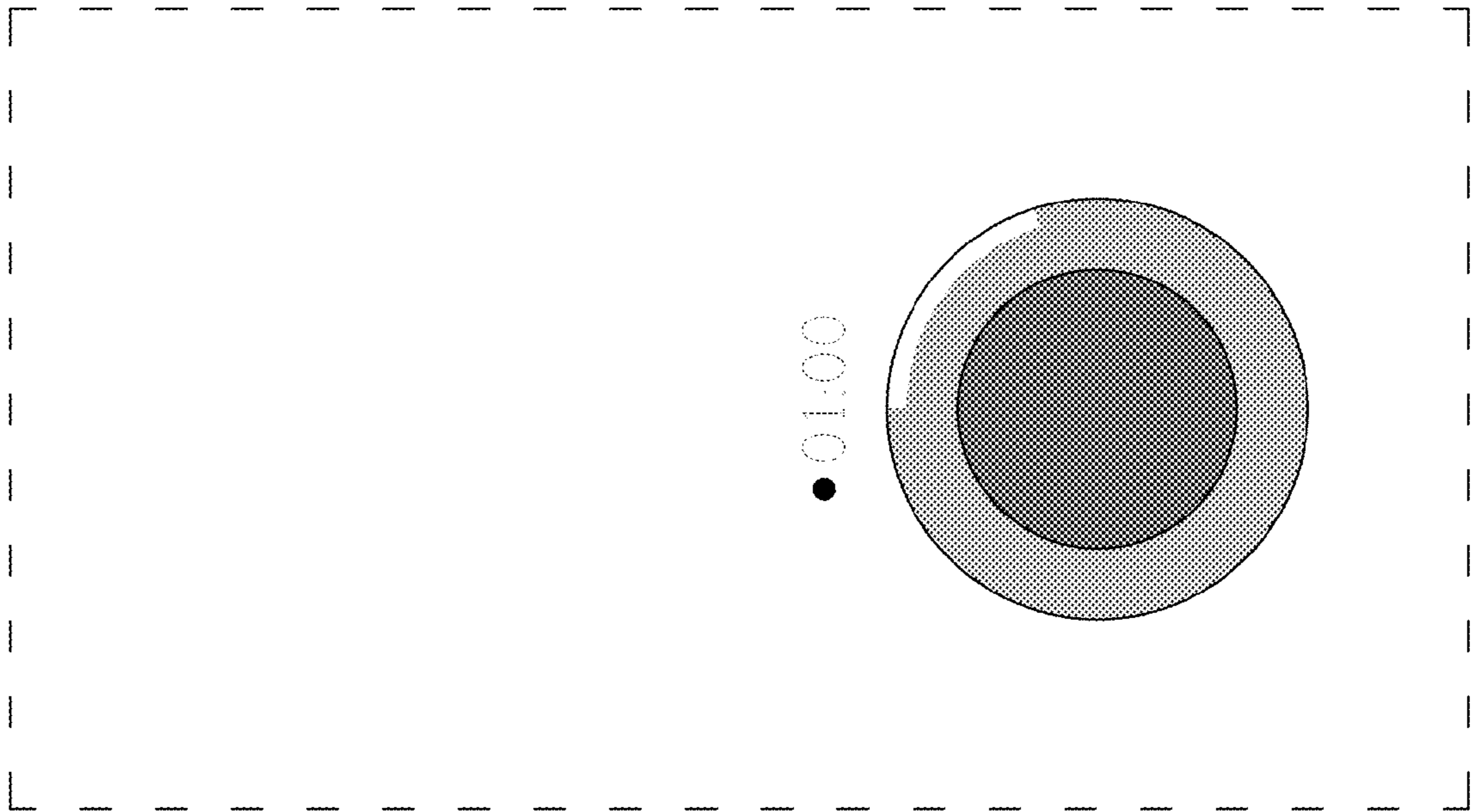


FIG. 2

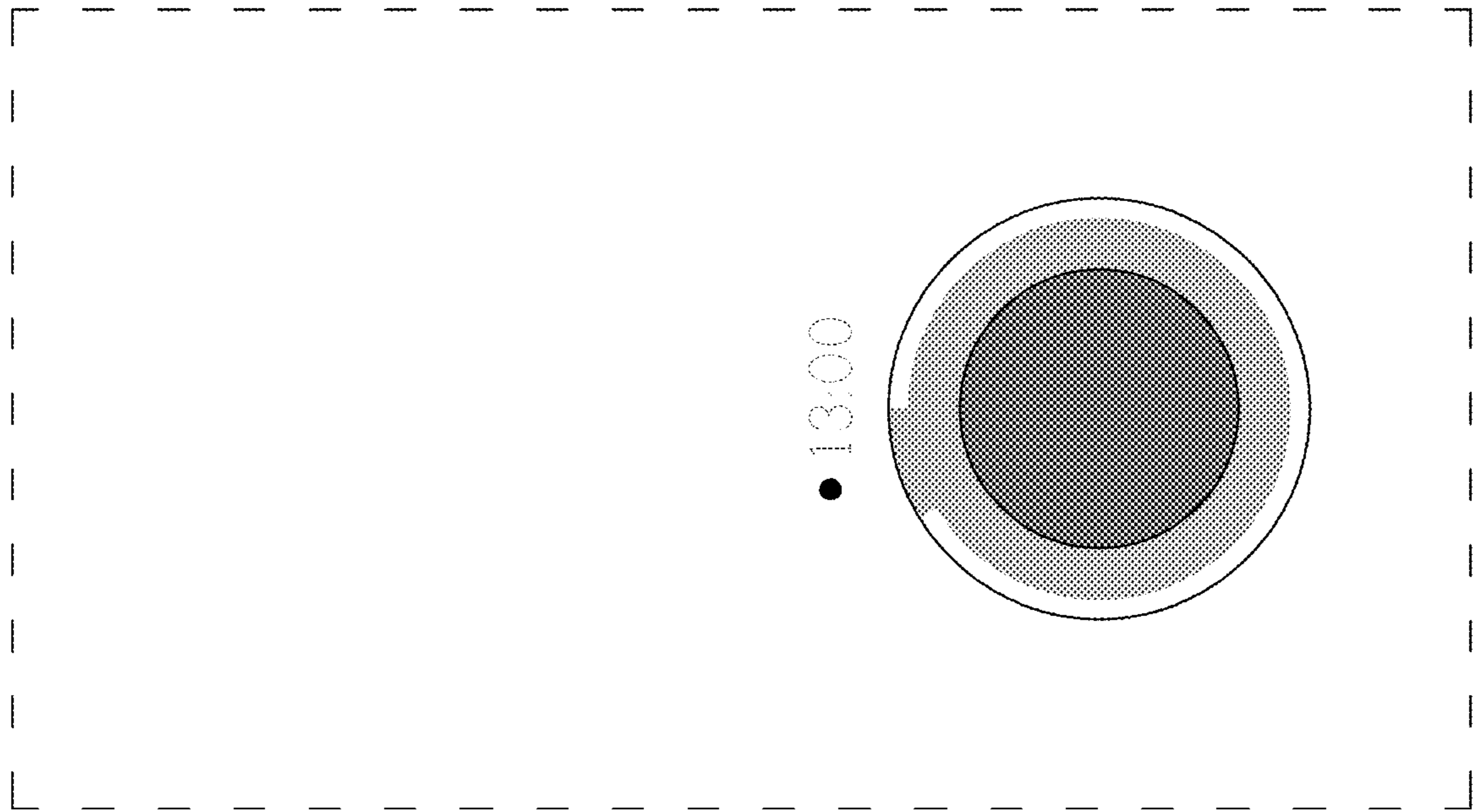


FIG. 4

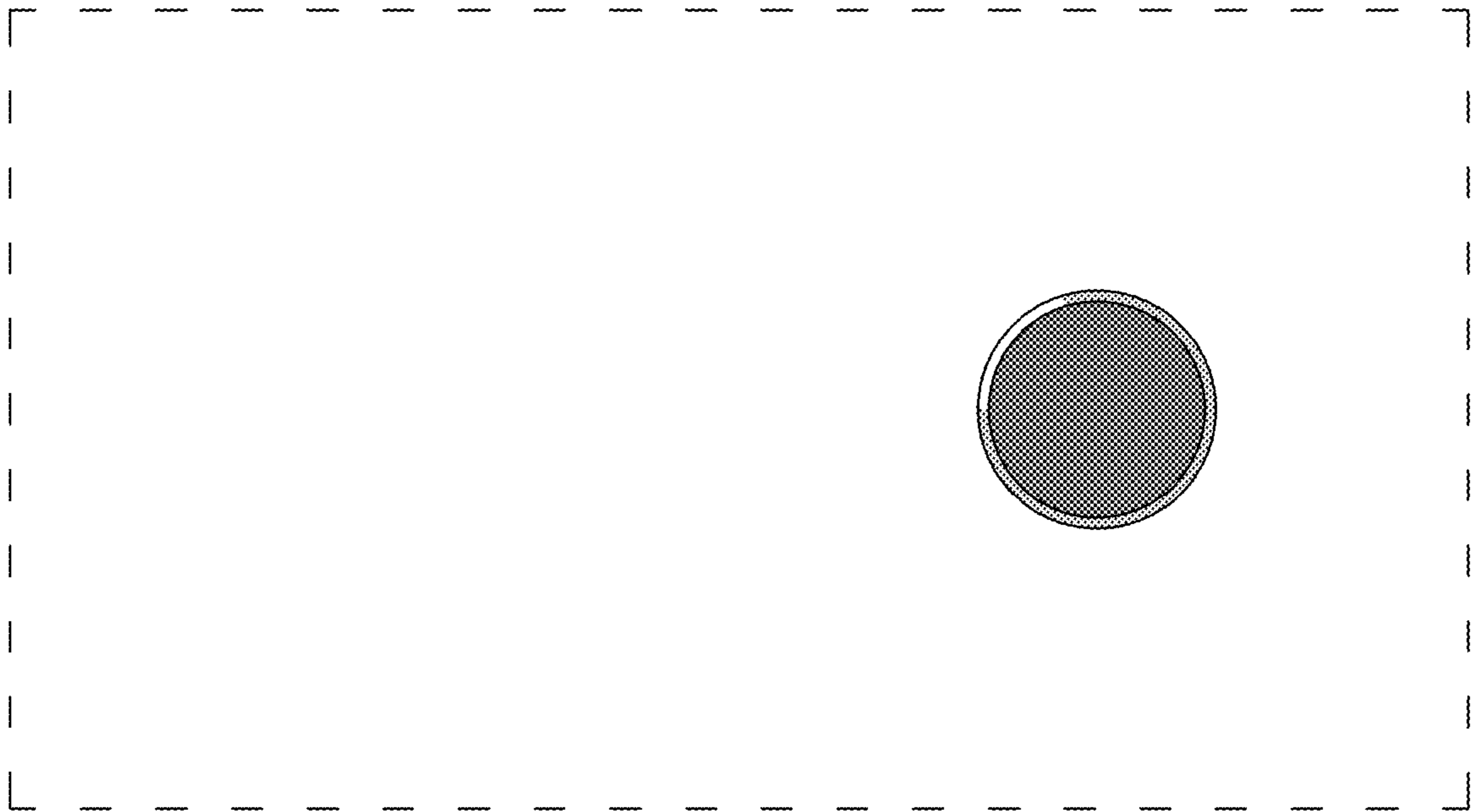


FIG. 3

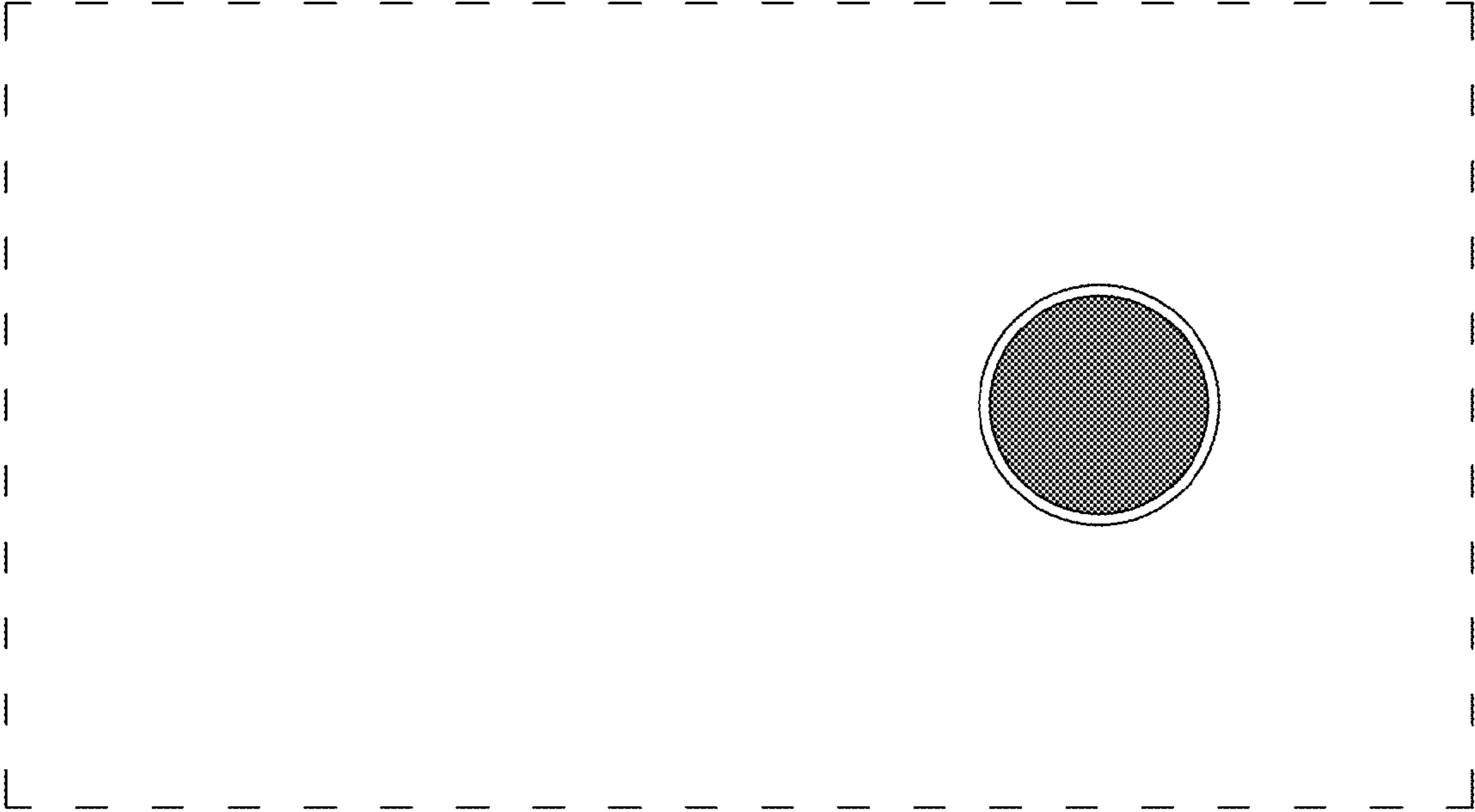


FIG. 5