



US00D882591S

(12) **United States Design Patent** (10) **Patent No.:** **US D882,591 S**  
**Xue et al.** (45) **Date of Patent:** **\*\* Apr. 28, 2020**

(54) **DISPLAY DEVICE WITH AN ANIMATED GRAPHICAL INTERFACE**

(71) Applicant: **Lyft, Inc.**, San Francisco, CA (US)

(72) Inventors: **Han Han Xue**, San Francisco, CA (US); **Jisi Guo**, San Francisco, CA (US); **Katherine Marisa Dill**, San Francisco, CA (US); **Audrey Liu**, Oakland, CA (US)

(73) Assignee: **Lyft, Inc.**, San Francisco, CA (US)

(\*\*) Term: **15 Years**

(21) Appl. No.: **29/663,456**

(22) Filed: **Sep. 14, 2018**

(51) **LOC (12) Cl.** ..... **14-04**

(52) **U.S. Cl.**  
USPC ..... **D14/485**

(58) **Field of Classification Search**  
USPC ..... D14/485-495; D20/11; D21/324, 325  
CPC .... G06F 3/048; G06F 3/0481; G06F 3/04817;  
G06F 3/0482; G06F 3/0483; G06F  
3/04842; G06F 3/0485; G06F 3/04855;  
G06F 3/0486; G06F 3/0488; G06F  
3/04886; G06F 9/4443; G06F 17/211;  
G06F 17/212; G01S 13/48; G01S 13/723;  
G05D 1/0088; B60R 1/00

See application file for complete search history.

(56) **References Cited**

**U.S. PATENT DOCUMENTS**

D566,562 S \* 4/2008 Snyder ..... D9/516  
7,663,533 B2 \* 2/2010 Toennesen ..... G01S 13/48  
342/154  
D667,423 S \* 9/2012 Nagamine ..... D14/488  
D704,218 S \* 5/2014 Ahn ..... D14/492  
D704,219 S \* 5/2014 Ahn ..... D14/492  
D734,343 S 7/2015 Yamasaki et al.  
D738,390 S 9/2015 Bobrovnichiy et al.  
D744,500 S \* 12/2015 Lee ..... D14/485

D752,981 S \* 4/2016 Dumville ..... D9/499  
D753,677 S \* 4/2016 Lee ..... D14/485  
D759,111 S \* 6/2016 Woo ..... D14/489  
D766,924 S \* 9/2016 Wang ..... D14/485  
D771,681 S 11/2016 Mariet et al.  
D785,004 S \* 4/2017 Bell ..... D14/485

(Continued)

**OTHER PUBLICATIONS**

“Half-tone abstract perspective design background” Dec. 12, 2017, posted at shutterstock.com, [site visited Oct. 17, 2019]. <https://www.shutterstock.com/image-vector/half-tone-abstract-perspective-design-background-763210276>.\*

“Black abstract vector oval frame half-tone dots logo emblem design element” Jun. 20, 2017, posted at shutterstock.com, [site visited Oct. 17, 2019]. <https://www.shutterstock.com/image-vector/black-abstract-vector-oval-frame-half-tone-614453996>.\*

(Continued)

*Primary Examiner* — Jack Reickel

*Assistant Examiner* — John M Otte

(74) *Attorney, Agent, or Firm* — FisherBroyles LLP

(57) **CLAIM**

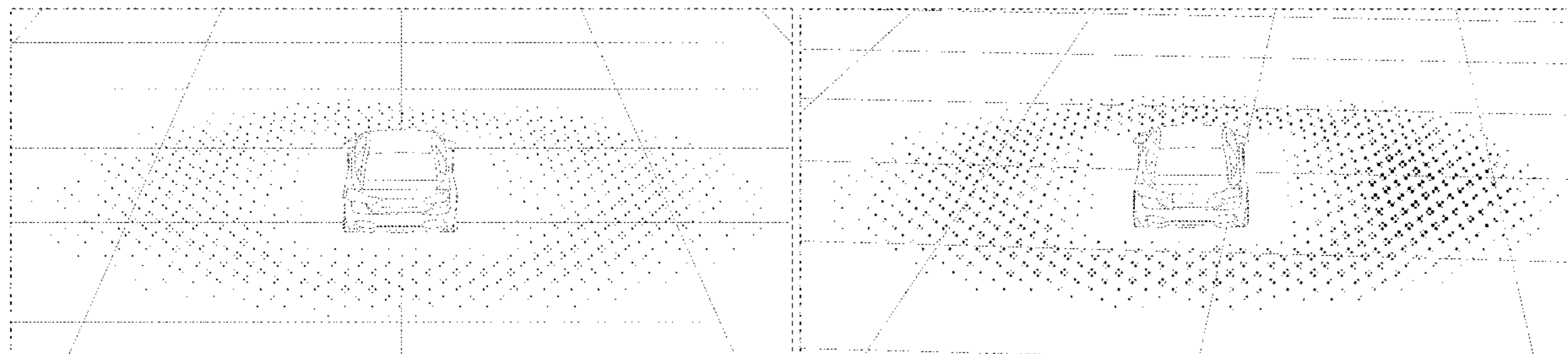
The ornamental design for a display device with an animated graphical interface, as shown and described.

**DESCRIPTION**

FIG. 1 is a front view of a first image in the sequence for a display device with an animated graphical interface; FIG. 2 is a front view of a second image thereof; FIG. 3 is a front view of a third image thereof; and, FIG. 4 is a front view of a fourth image thereof.

The broken lines are included for the purpose of showing environmental portions of the display device with animated graphical interface and form no part of the claimed design. The appearance of the transitional graphical user interface sequentially transitions between the images shown in FIGS. 1-4. The process or period in which one image transitions to another image forms no part of the claimed design.

**1 Claim, 2 Drawing Sheets**



(56)

References Cited

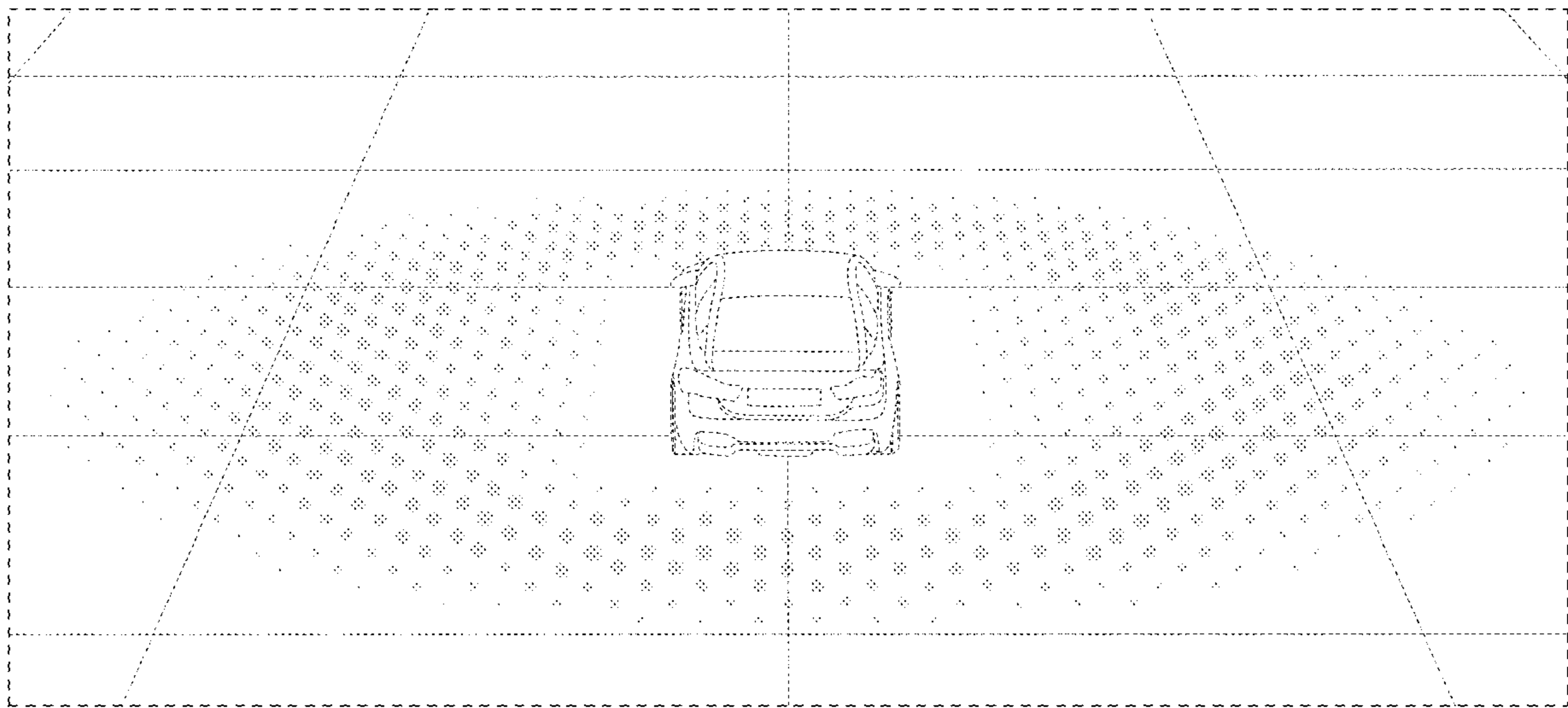
U.S. PATENT DOCUMENTS

D794,442 S \* 8/2017 Boston ..... D9/414  
 D799,516 S \* 10/2017 Lee ..... D14/486  
 D803,249 S \* 11/2017 Masuda ..... D14/486  
 D813,888 S \* 3/2018 Kim ..... D14/486  
 D819,076 S \* 5/2018 Cho ..... D14/489  
 D822,059 S 7/2018 Connor et al.  
 D824,924 S \* 8/2018 Phillips ..... D14/485  
 D842,331 S \* 3/2019 Guo ..... D14/488  
 D854,045 S \* 7/2019 King ..... D14/488  
 D854,554 S \* 7/2019 Toth ..... D14/485  
 10,360,714 B1 \* 7/2019 Xue ..... G05D 1/0088  
 D868,812 S \* 12/2019 Schwer ..... D14/486  
 2010/0254019 A1 \* 10/2010 Cui ..... G01S 13/723  
 359/633  
 2012/0154591 A1 \* 6/2012 Baur ..... B60R 1/00  
 348/148  
 2013/0346921 A1 \* 12/2013 Shiplacoff ..... G06F 3/0488  
 715/835  
 2017/0249803 A1 \* 8/2017 Arnone ..... G07F 17/3244

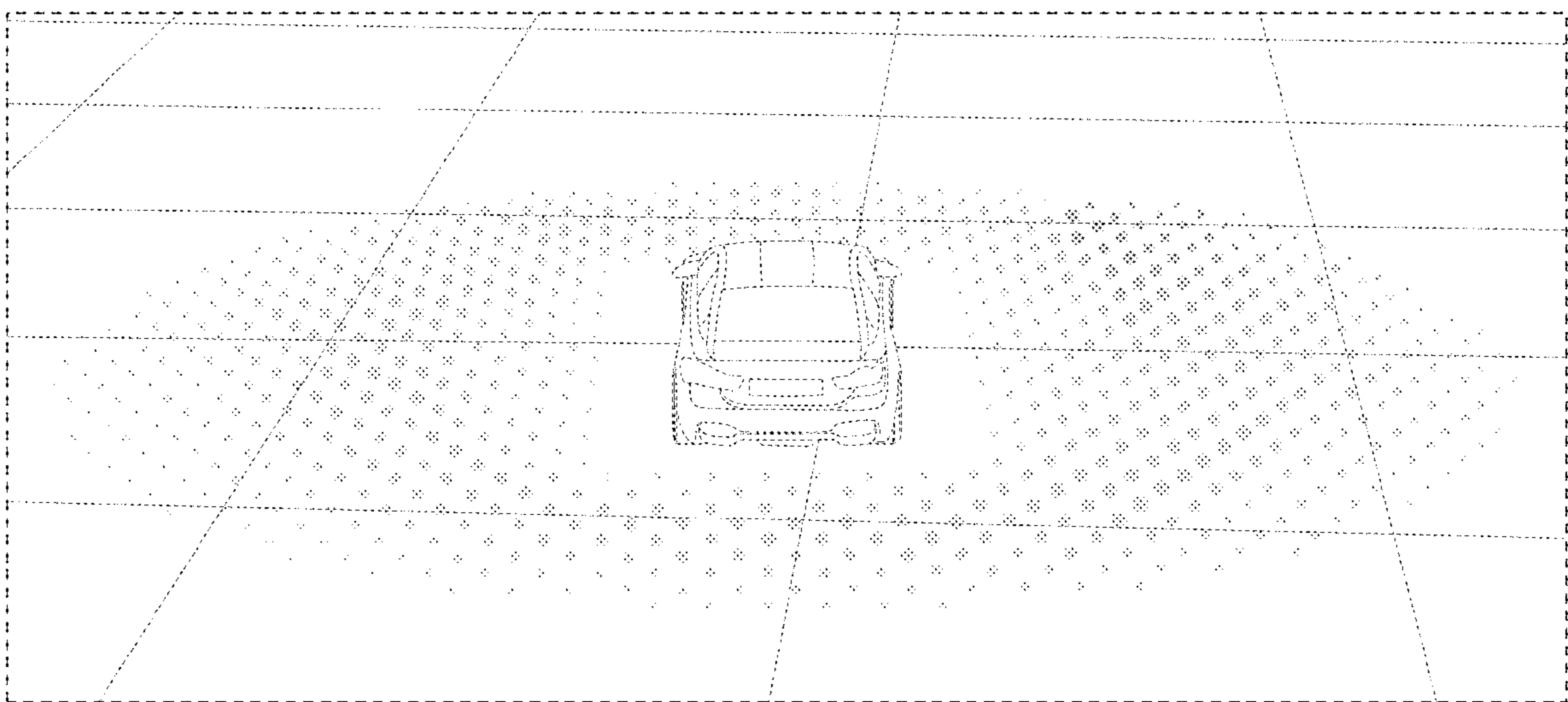
OTHER PUBLICATIONS

“How your eyes trick your mind” Dec. 15, 2017, posted at mindgamers.redbull.com, [site visited Oct. 17, 2019]. <https://mindgamers.redbull.com/article/55>.  
 Stewart, Jack, “Why Self-Driving Cars Need Superhuman Senses” Sep. 11, 2017, posted at wired.com, [site visited Oct. 17, 2019]. <https://www.wired.com/story/why-self-driving-cars-need-superhuman-senses>.  
 Non-Final Office Action received for U.S. Appl. No. 29/663,457 dated Oct. 23, 2019, 18 pages.  
 Desai, Rajiv, “Driverless Car”, URL: <http://drajivdesaimd.com>, Jun. 12, 2016, 131 pages.  
 Non-Final Office Action received for U.S. Appl. No. 29/663,459 dated Oct. 23, 2019, 16 pages.  
 Shutterstock, “Black and white halftone background illustration”, URL: <https://www.shutterstock.com/image-illustration/black-white-halftone-background-illustration-284283602>, Jun. 12, 2015, 2 pages.

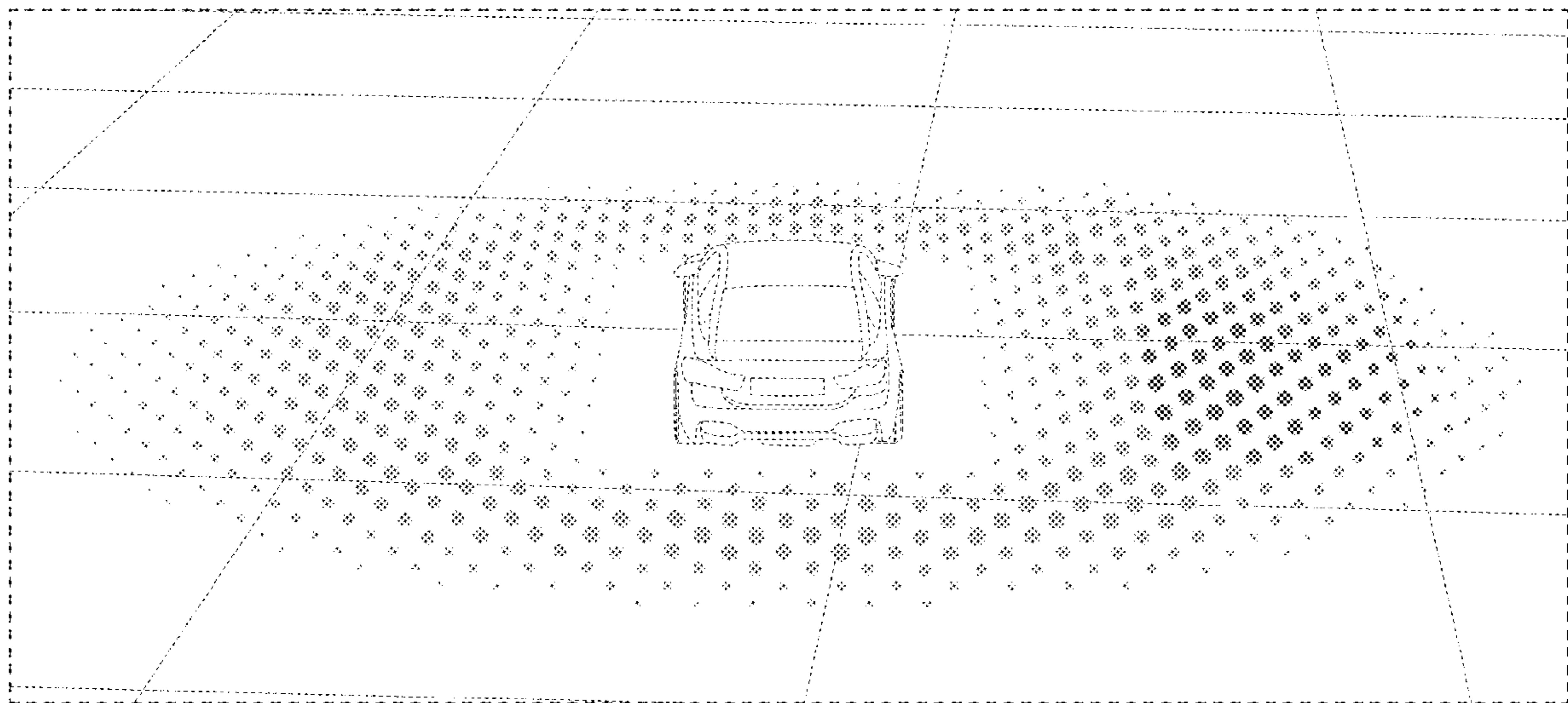
\* cited by examiner



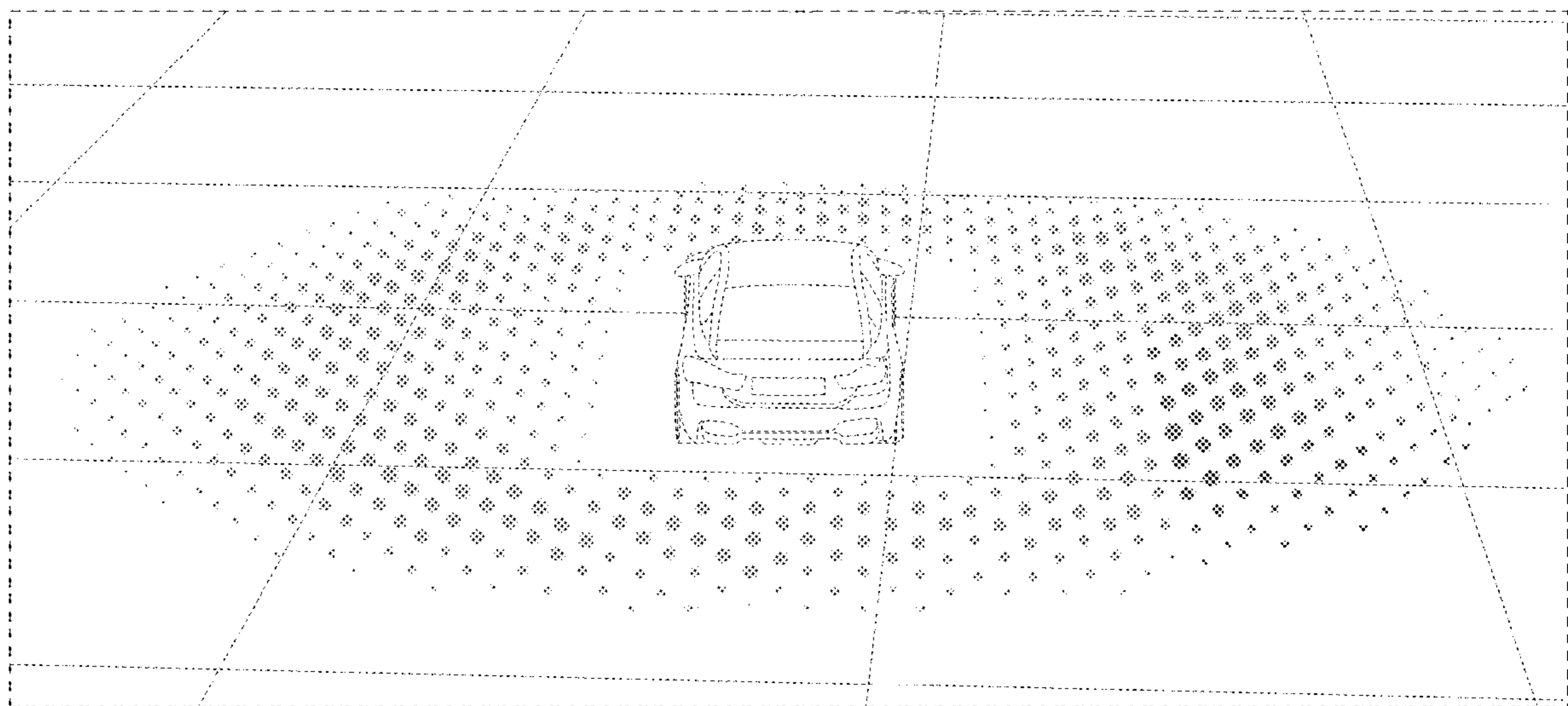
**FIG. 1**



**FIG. 2**



**FIG. 3**



**FIG. 4**