



US00D882580S

(12) **United States Design Patent**
Si

(10) **Patent No.:** **US D882,580 S**

(45) **Date of Patent:** **** Apr. 28, 2020**

(54) **COMPUTER STAND**

(71) Applicant: **Henan Liangpu Electronic Science and Technology Co., Ltd., Zhengzhou (CN)**

(72) Inventor: **Quanqing Si, Zhengzhou (CN)**

(73) Assignee: **Henan Liangpu Electronic Science and Technology Co., Ltd., Zhengzhou (CN)**

(**) Term: **15 Years**

(21) Appl. No.: **29/679,048**

(22) Filed: **Feb. 1, 2019**

(51) **LOC (12) Cl.** **08-07**

(52) **U.S. Cl.**
USPC **D14/447**

(58) **Field of Classification Search**
USPC D14/447, 432, 434, 439, 440, 451, 452, D14/457, 239, 253; D8/363, 373, 380; D6/406.3, 406.4, 406.5, 406.6; D12/415
CPC A47B 21/04; A47B 2097/006; A47B 2097/005; A47B 2023/049; A45C 2011/002; A45C 2011/003; F16M 2200/00; F16M 13/00

See application file for complete search history.

(56) **References Cited**

U.S. PATENT DOCUMENTS

5,607,135 A * 3/1997 Yamada A47B 23/043
248/447
D558,192 S * 12/2007 Daly D14/251
D558,774 S * 1/2008 Najima D14/447

D576,168 S * 9/2008 Ostroff D14/447
D651,213 S * 12/2011 Magness D14/447
D667,004 S * 9/2012 Goodrich D14/253
D678,886 S * 3/2013 Heckler D14/447
D798,871 S * 10/2017 Avganim D14/447
D824,915 S * 8/2018 Hsu D14/447
D833,448 S * 11/2018 Kilkenny D14/447
2003/0001064 A1 * 1/2003 Book A47B 21/045
248/460
2006/0186303 A1 * 8/2006 Phifer A47B 23/043
248/454
2012/0168590 A1 * 7/2012 Yang F16M 11/10
248/346.3

* cited by examiner

Primary Examiner — Angela J Lee

(74) *Attorney, Agent, or Firm* — Schwegman Lundberg & Woessner, P.A.

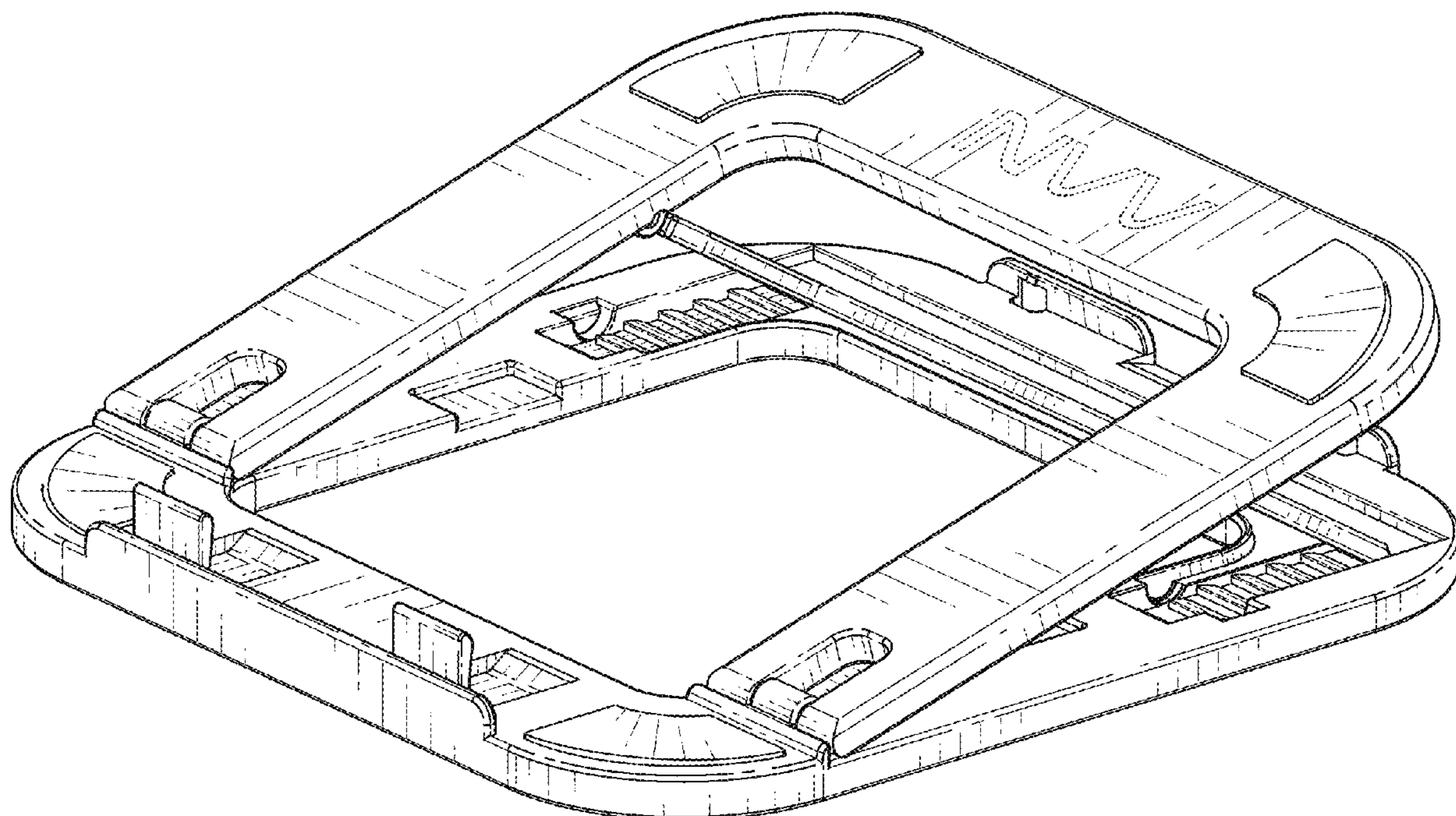
(57) **CLAIM**

The ornamental design for a computer stand, as shown and described.

DESCRIPTION

FIG. 1 is a front elevational view of a computer stand in a closed state showing my new design;
FIG. 2 is a front elevational view of the computer stand in an open state;
FIG. 3 is a perspective view thereof;
FIG. 4 is a front view thereof;
FIG. 5 is a rear view thereof;
FIG. 6 is a left view thereof;
FIG. 7 is a right view thereof;
FIG. 8 is a top plan view thereof; and,
FIG. 9 is a bottom plan view thereof.

1 Claim, 7 Drawing Sheets



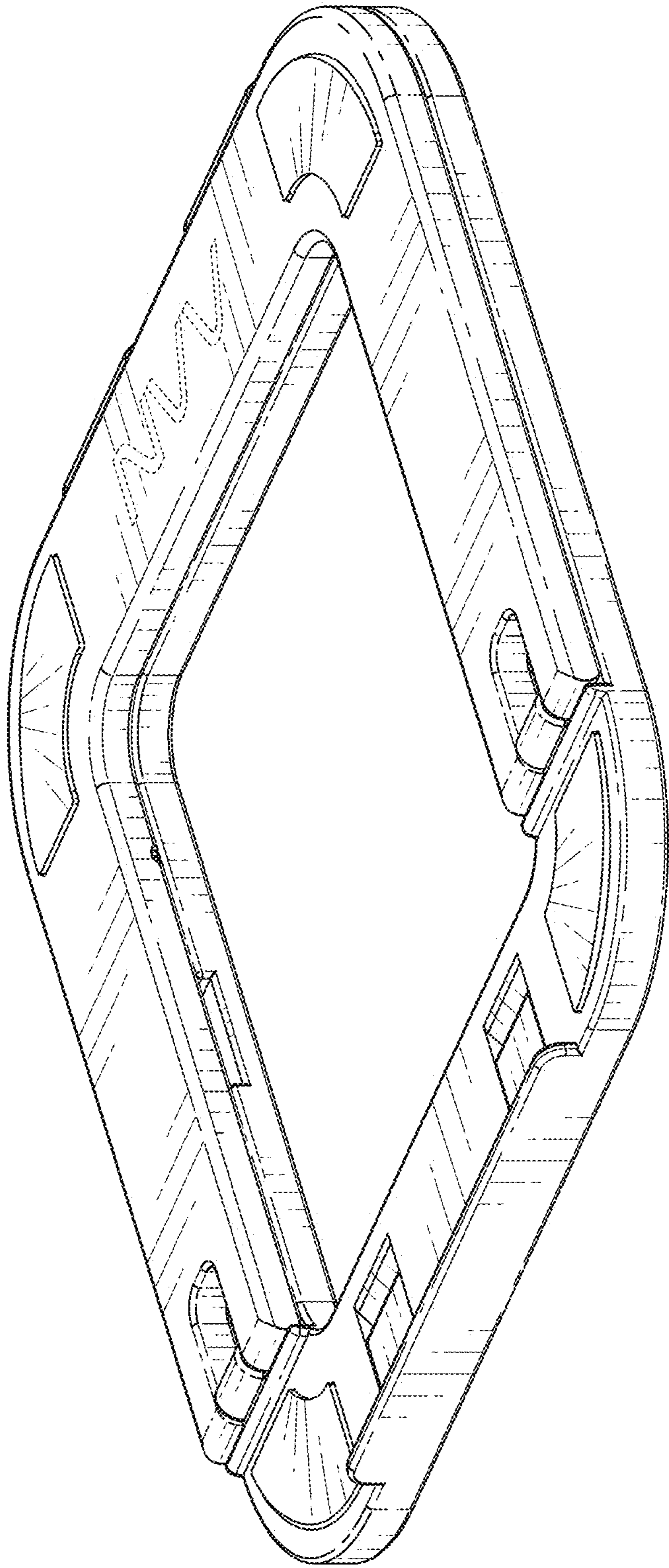


FIG. 1

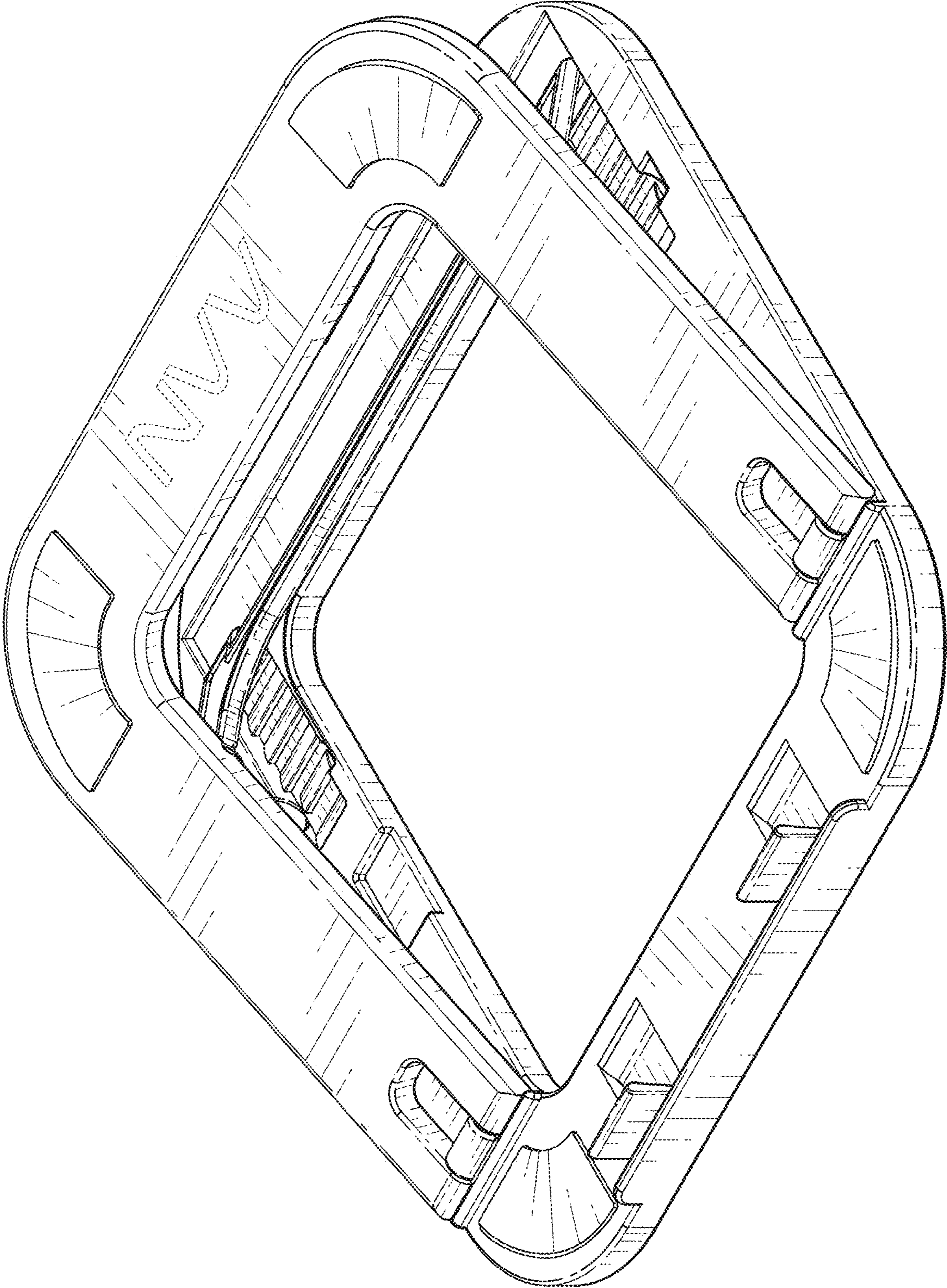


FIG. 2

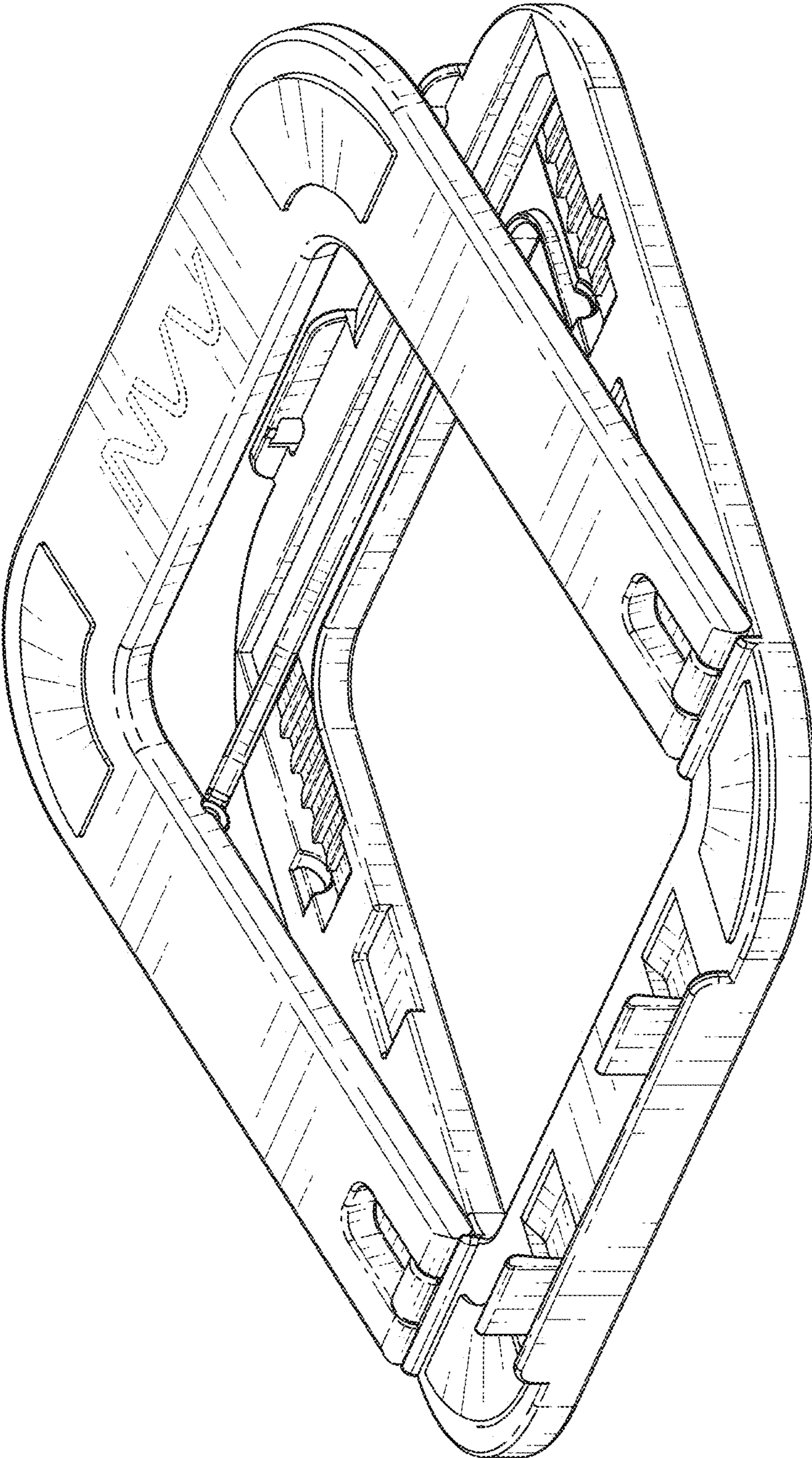


FIG. 3

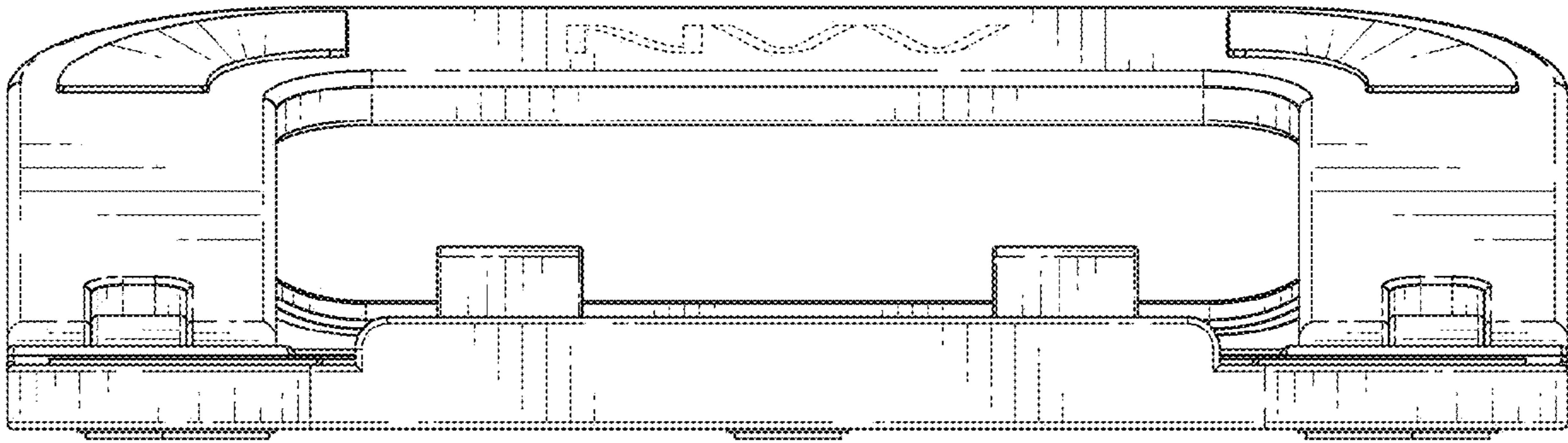


FIG. 4

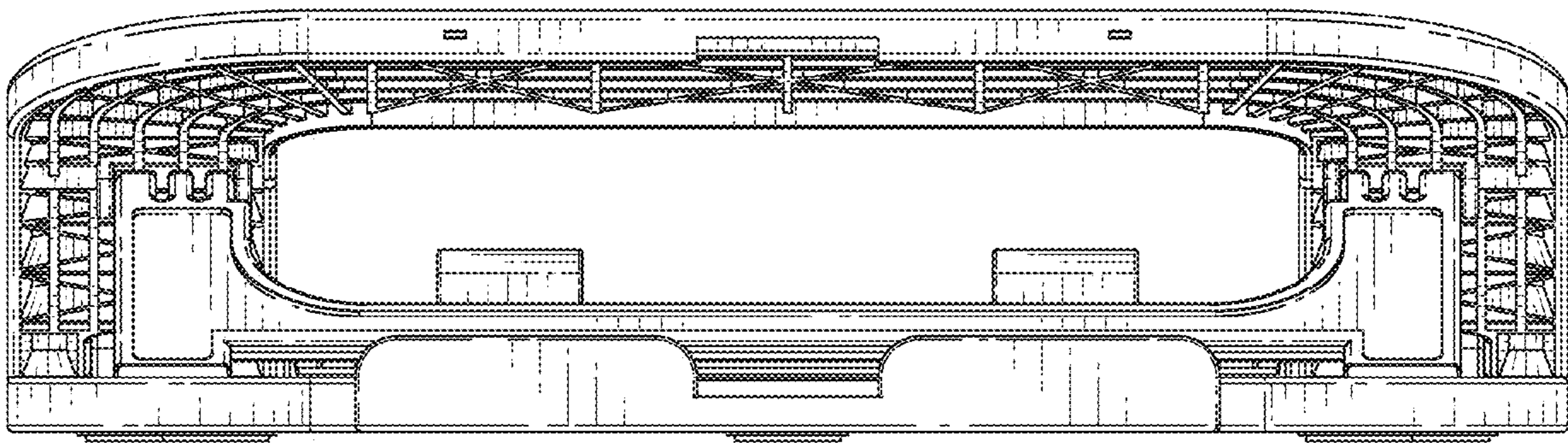


FIG. 5

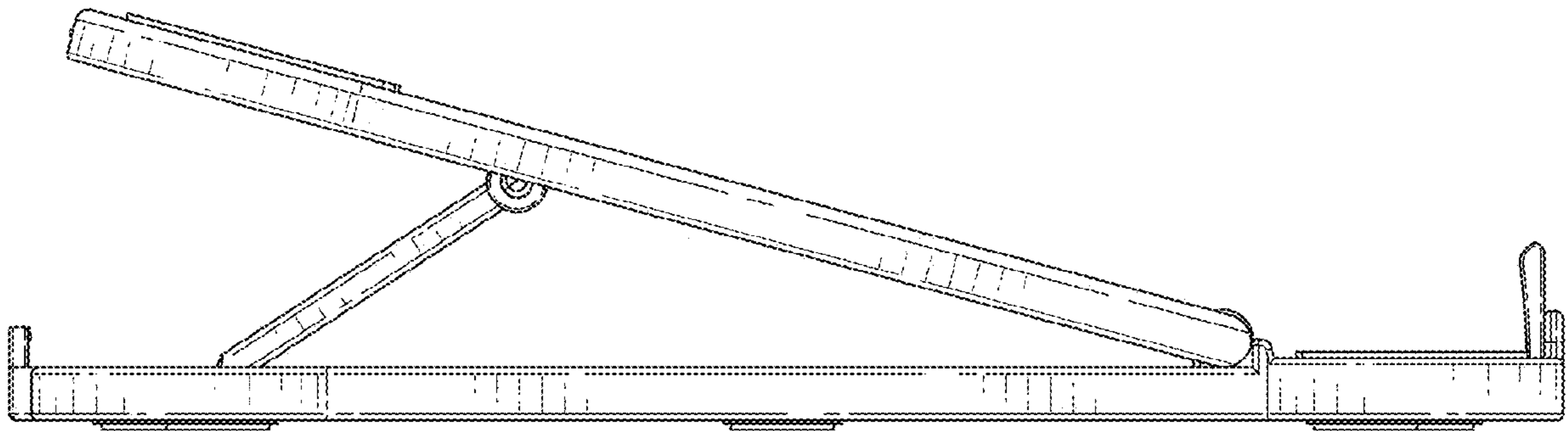


FIG. 6

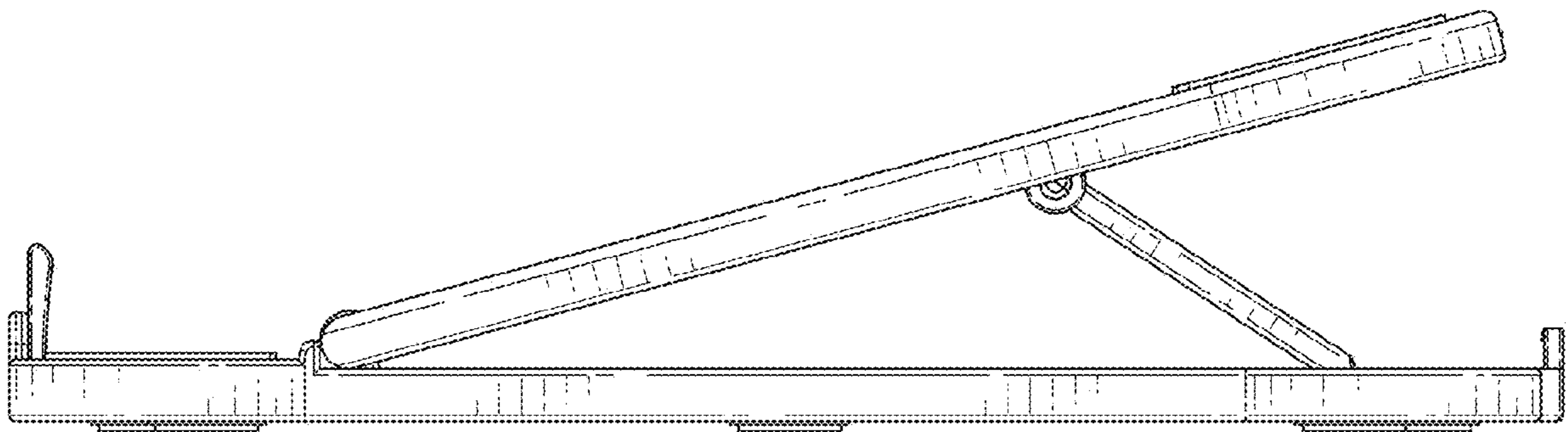


FIG. 7

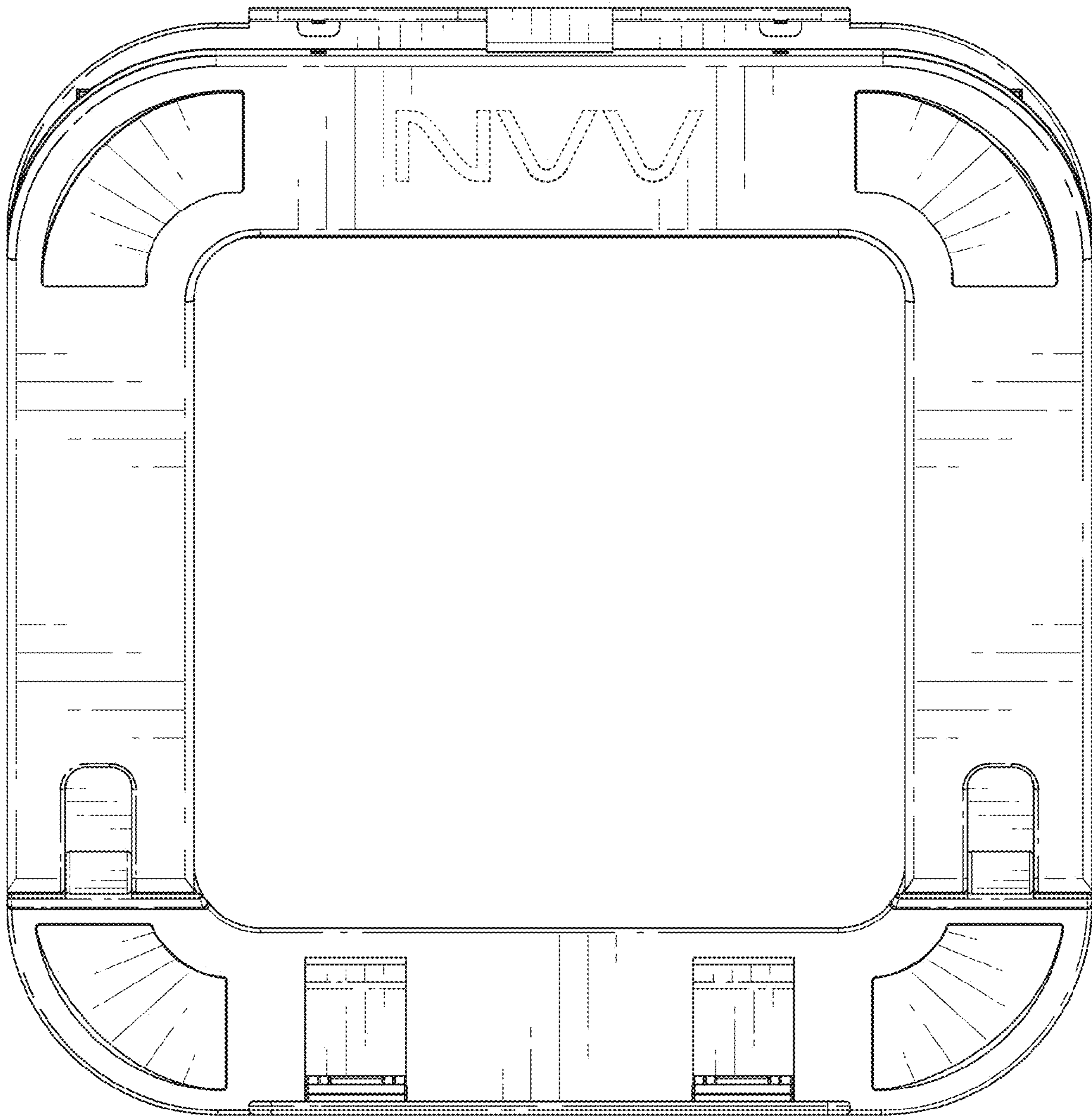


FIG. 8

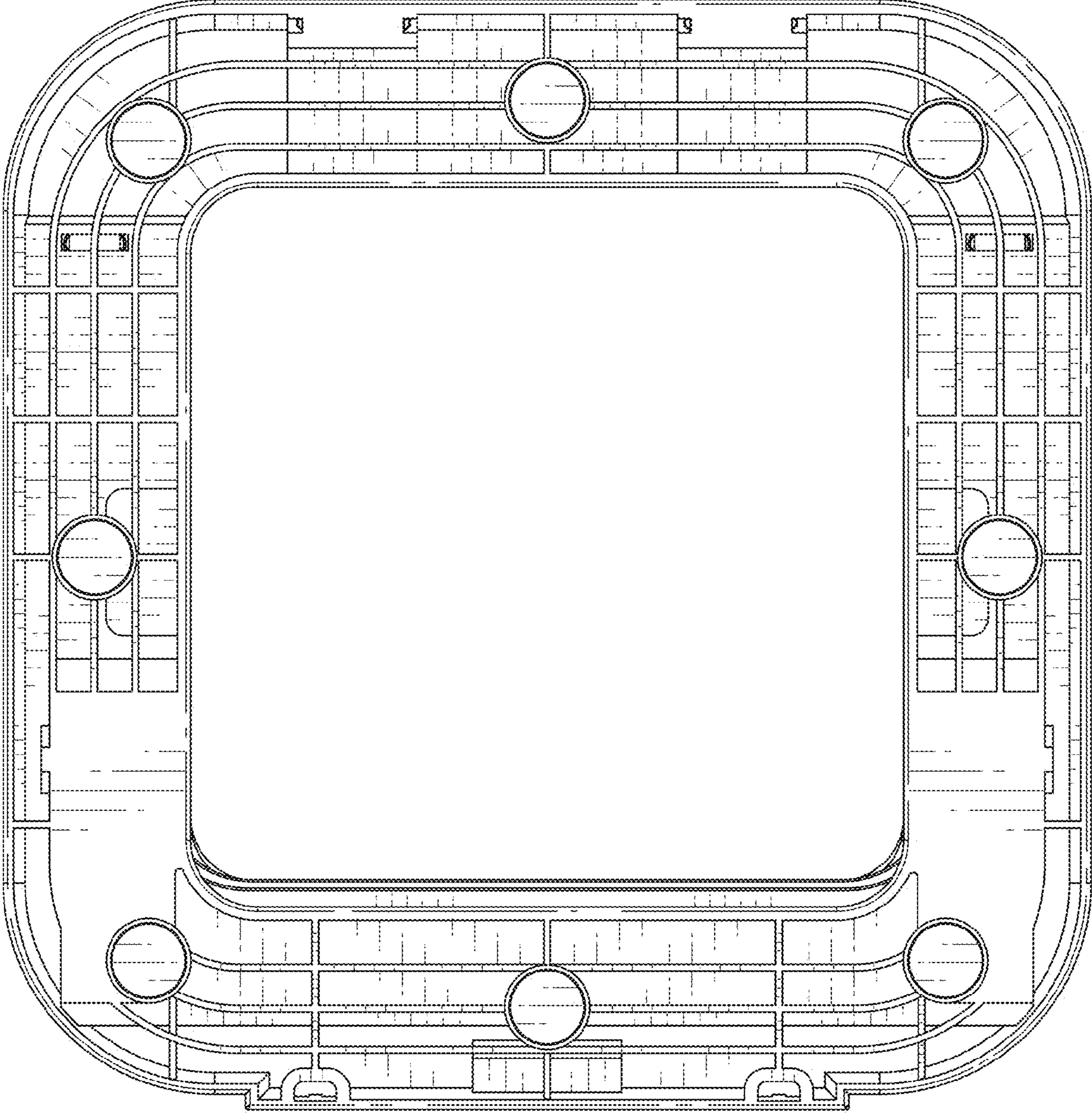


FIG. 9