



US00D882579S

(12) **United States Design Patent**
O'Neill et al.

(10) **Patent No.:** **US D882,579 S**

(45) **Date of Patent:** **** Apr. 28, 2020**

(54) **CONNECTOR FOR MOBILE ELECTRONIC DEVICES**

(71) Applicant: **PATRICKO, LLC**, Huntington Beach, CA (US)

(72) Inventors: **Patrick D. O'Neill**, Huntington Beach, CA (US); **Robert O'Neill**, Irvine, CA (US); **Joshua Cantor**, Laguna Beach, CA (US)

(73) Assignee: **Patricko, LLC**, Huntington Beach, CA (US)

(**) Term: **15 Years**

(21) Appl. No.: **29/703,994**

(22) Filed: **Aug. 30, 2019**

(51) **LOC (12) Cl.** **14-02**

(52) **U.S. Cl.**
USPC **D14/433**

(58) **Field of Classification Search**
USPC D14/434, 447, 453, 432, 433, 385, 357, D14/149, 457, 253, 251, 356, 242, 439, D14/344; D13/108, 118, 199, 107, 177; D3/218, 228, 269; D18/12; D8/349, D8/382; 361/683, 686, 679, 600; 455/557, 556.1, 556.2, 575.4, 569.2, 455/569.1; 248/346.03, 176.1, 181.1, 248/309.1, 221.11; 200/6 R
CPC G06Q 20/202; G06Q 20/322; G06Q 20/32; G06Q 20/20; G06Q 20/327
See application file for complete search history.

(56) **References Cited**

U.S. PATENT DOCUMENTS

D474,736 S * 5/2003 Sagawa D13/108
D477,604 S * 7/2003 Lin D14/434

6,597,577 B1 * 7/2003 Tang G11B 33/0411
248/917
D499,545 S 12/2004 Condiff
D518,950 S 4/2006 Condiff
D525,581 S * 7/2006 Rad D13/103
D527,723 S 9/2006 Andre et al.
D537,074 S 2/2007 Andre et al.
7,594,305 B2 9/2009 Moore
7,650,007 B2 1/2010 Iuliis et al.
D612,856 S * 3/2010 Wahl D14/433
8,208,978 B2 6/2012 Stiehl et al.
D672,780 S 12/2012 Chen et al.
D684,539 S 6/2013 Akana et al.
D703,671 S * 4/2014 Hackett D14/433
D709,504 S * 7/2014 Breines D14/433
D724,311 S 3/2015 Treska
D727,868 S * 4/2015 O'Neill D14/134
9,164,543 B2 10/2015 Minn et al.
D756,986 S * 5/2016 O'Neill D14/252

(Continued)

Primary Examiner — Austin Murphy

(74) *Attorney, Agent, or Firm* — Knobbe Martens Olson & Bear LLP

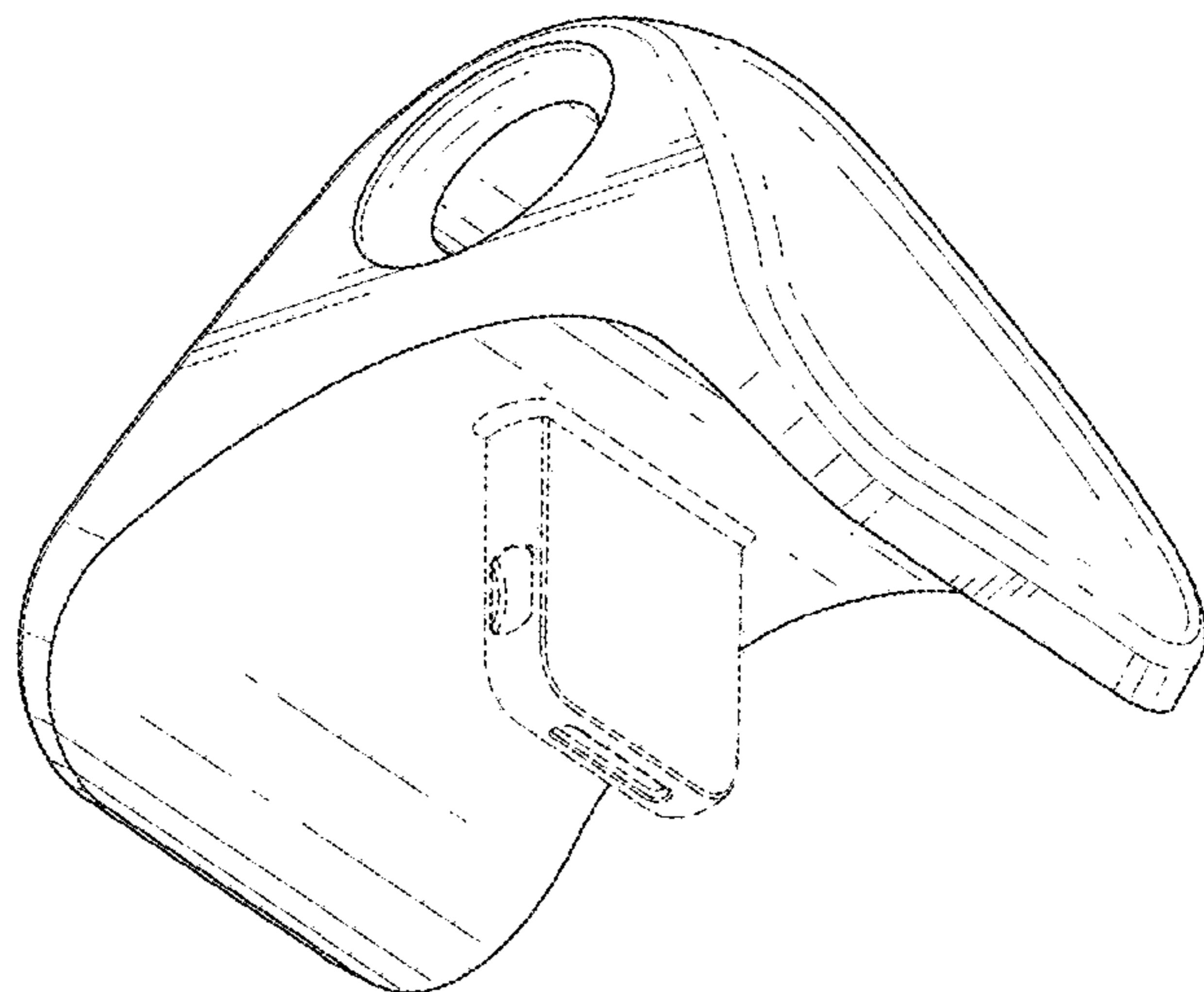
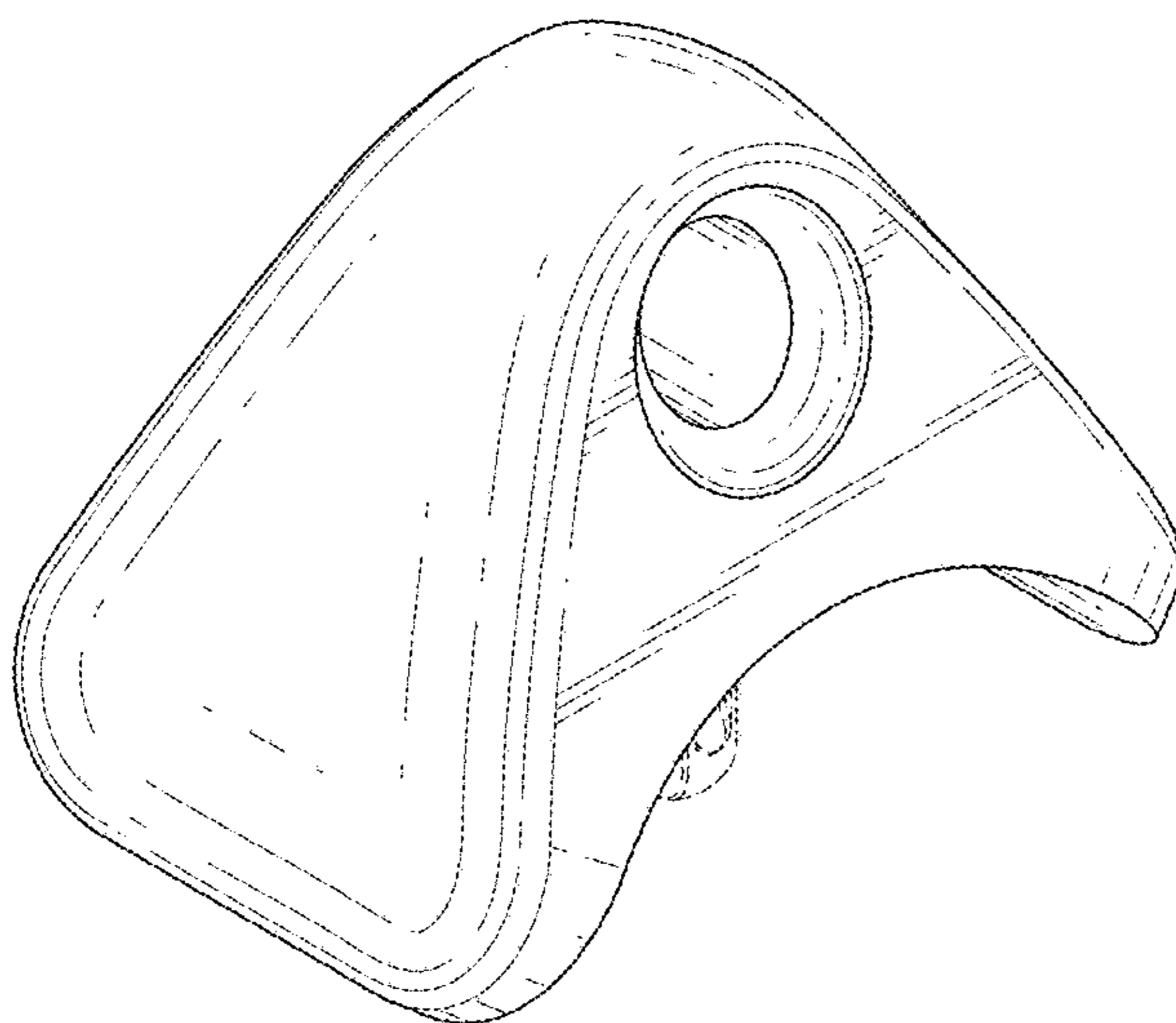
(57) **CLAIM**

The ornamental design for a connector for mobile electronic devices, as shown and described.

DESCRIPTION

FIG. 1 is a top, front, left-side perspective view of an embodiment of a connector for mobile electronic devices embodying our design;
FIG. 2 is a bottom, front, right-side perspective view thereof;
FIG. 3 is a front elevation view thereof;
FIG. 4 is a rear elevation view thereof;
FIG. 5 is a right-side elevation view thereof;
FIG. 6 is a left-side elevation view thereof;
FIG. 7 is a top plan view thereof; and,
FIG. 8 is a bottom plan view thereof.
All features in broken line form no part of the claimed subject matter.

1 Claim, 4 Drawing Sheets



(56)

References Cited

U.S. PATENT DOCUMENTS

D763,852 S *	8/2016	Avganim	D14/433
D821,393 S *	6/2018	Matsumiya	D14/358
9,999,292 B1	6/2018	Rainsong	
D853,396 S *	7/2019	Kong	D14/434
2011/0226823 A1	9/2011	Jasa	
2017/0251088 A1	8/2017	Rosales	

* cited by examiner

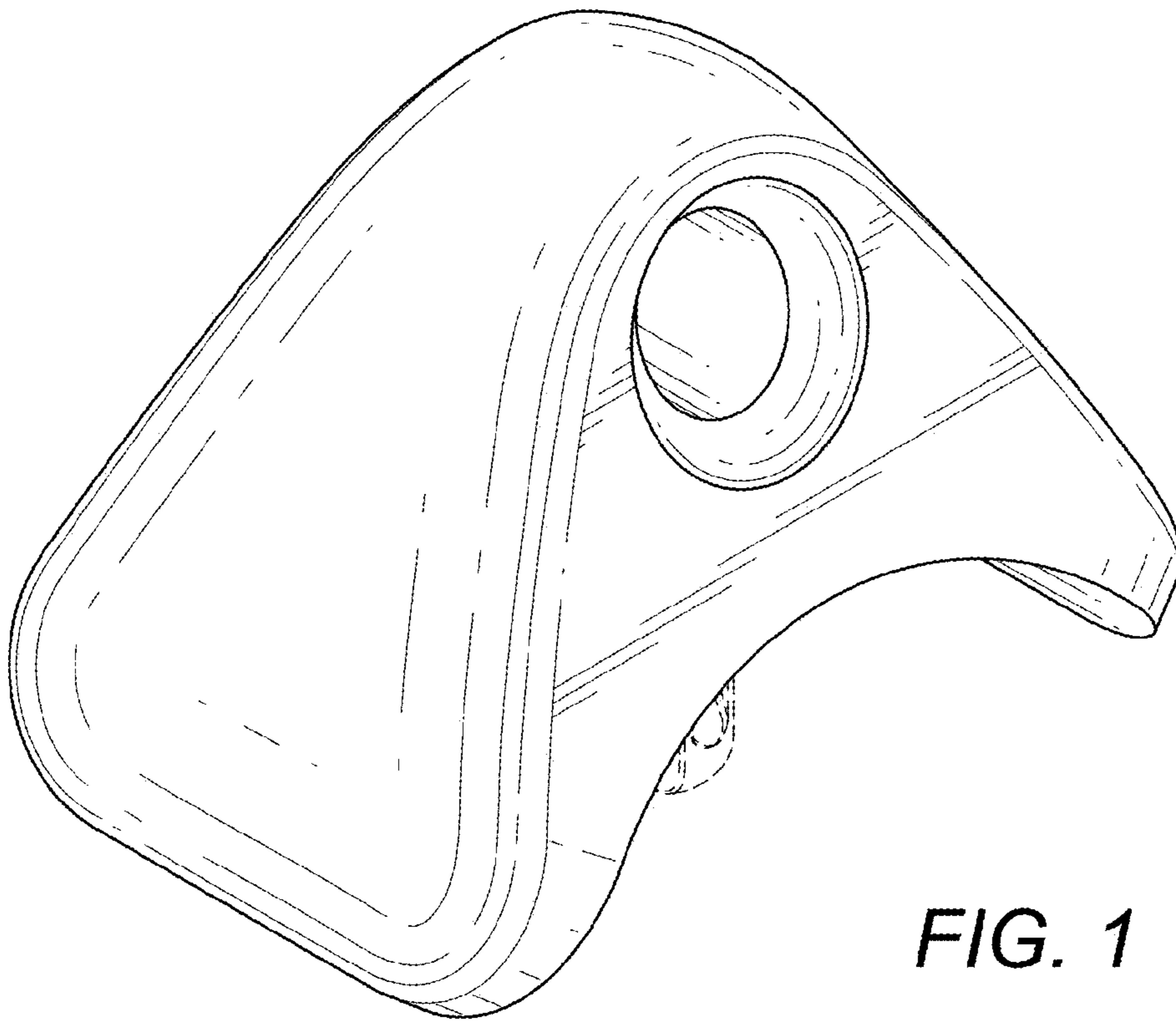


FIG. 1

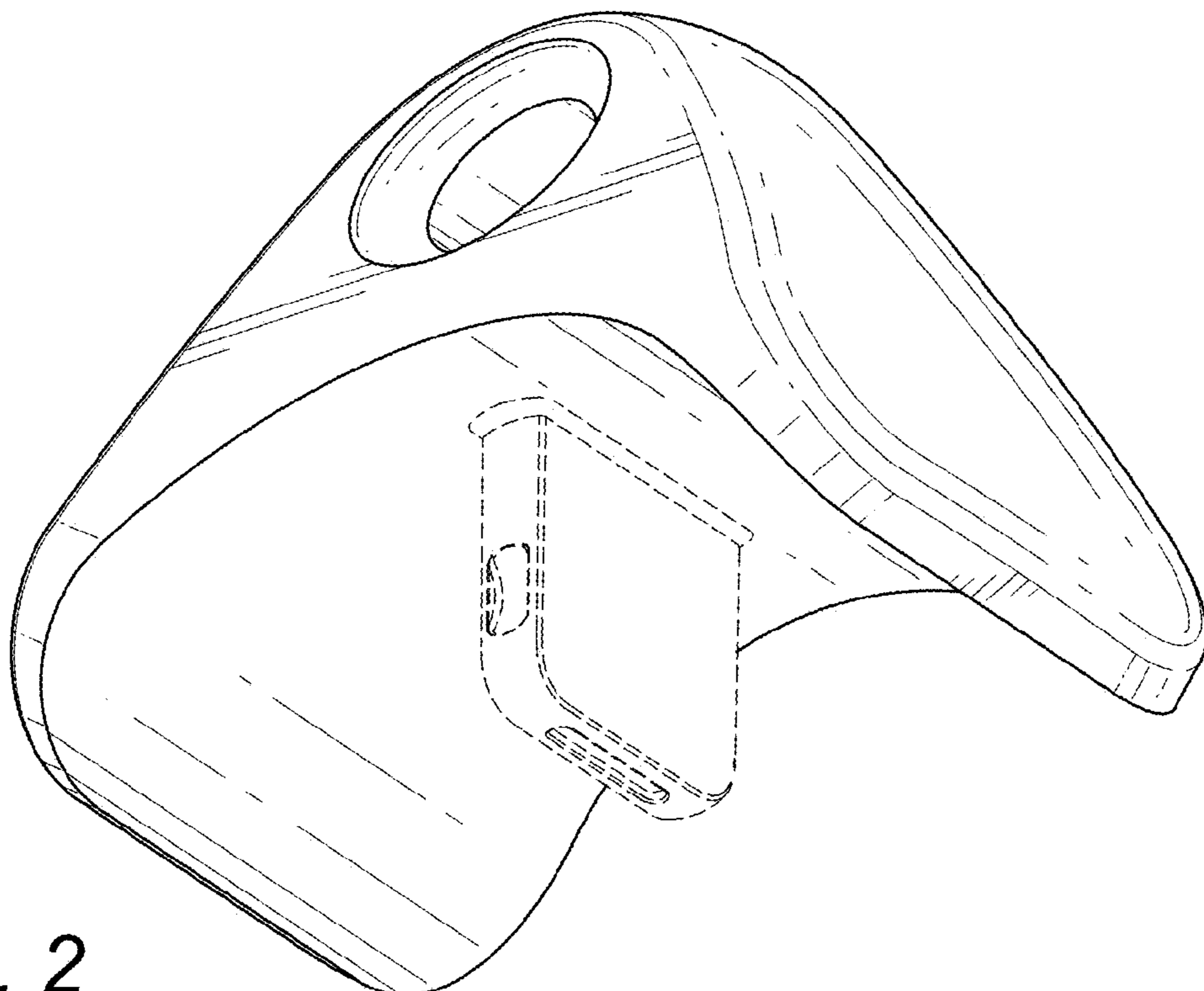


FIG. 2

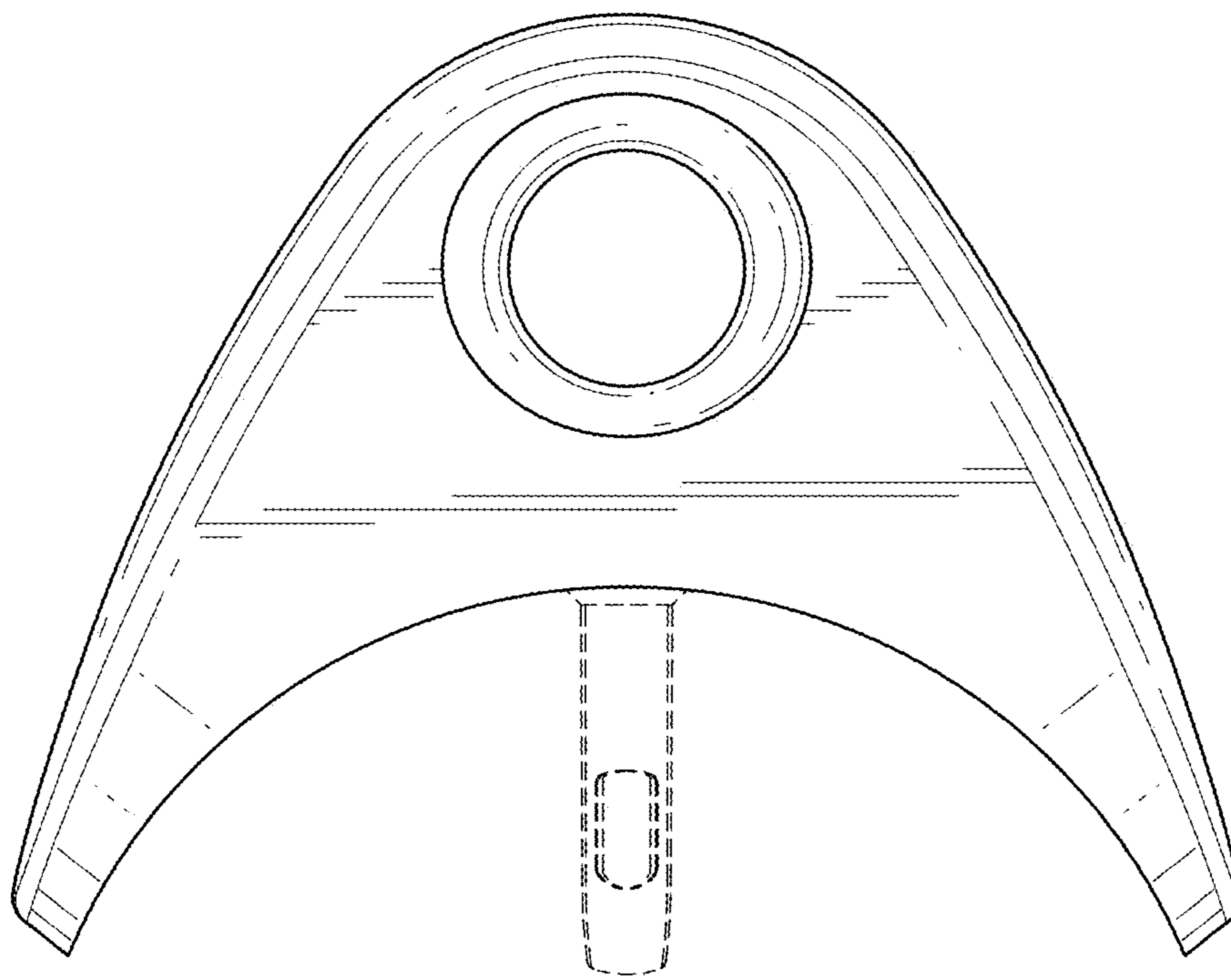


FIG. 3

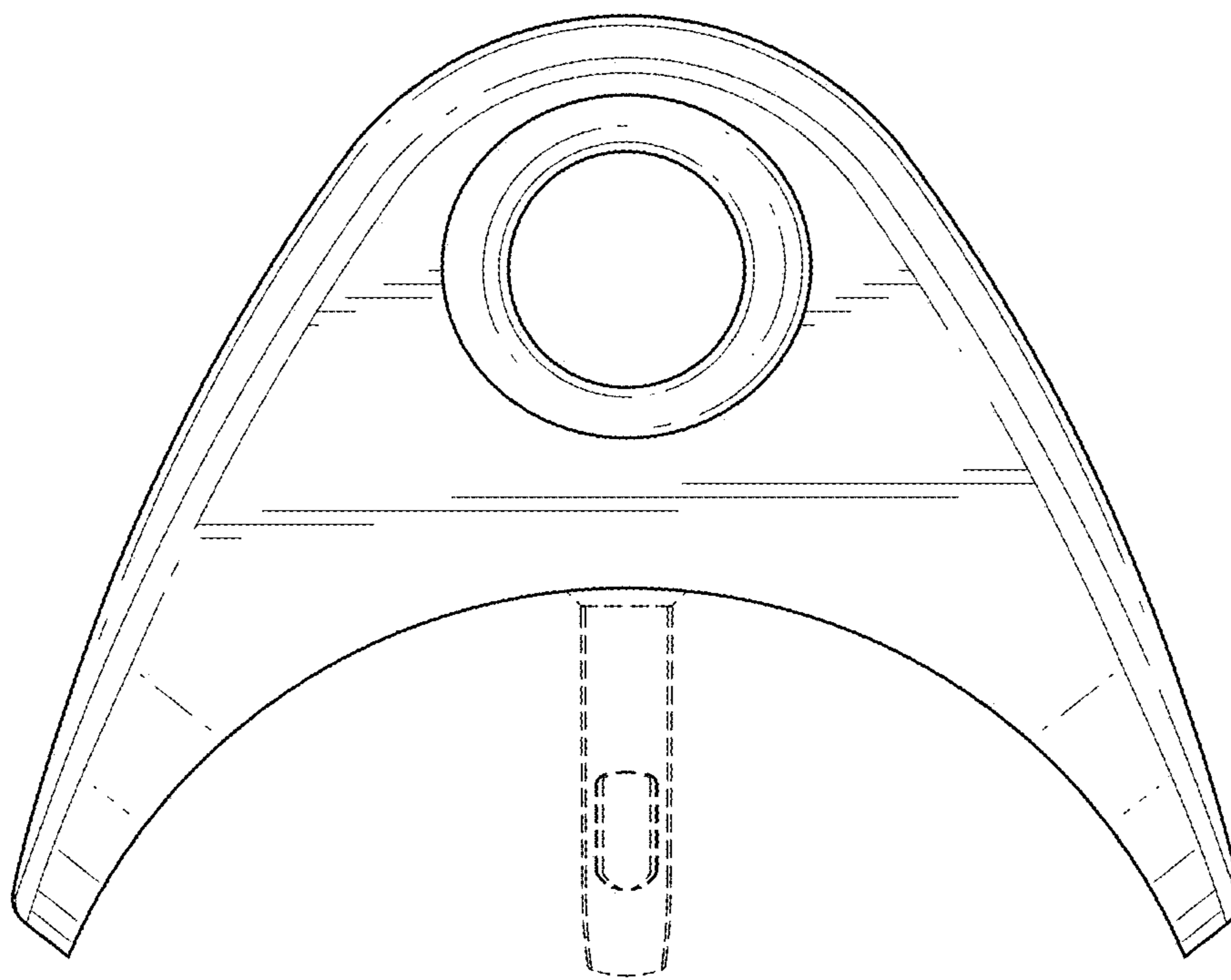


FIG. 4

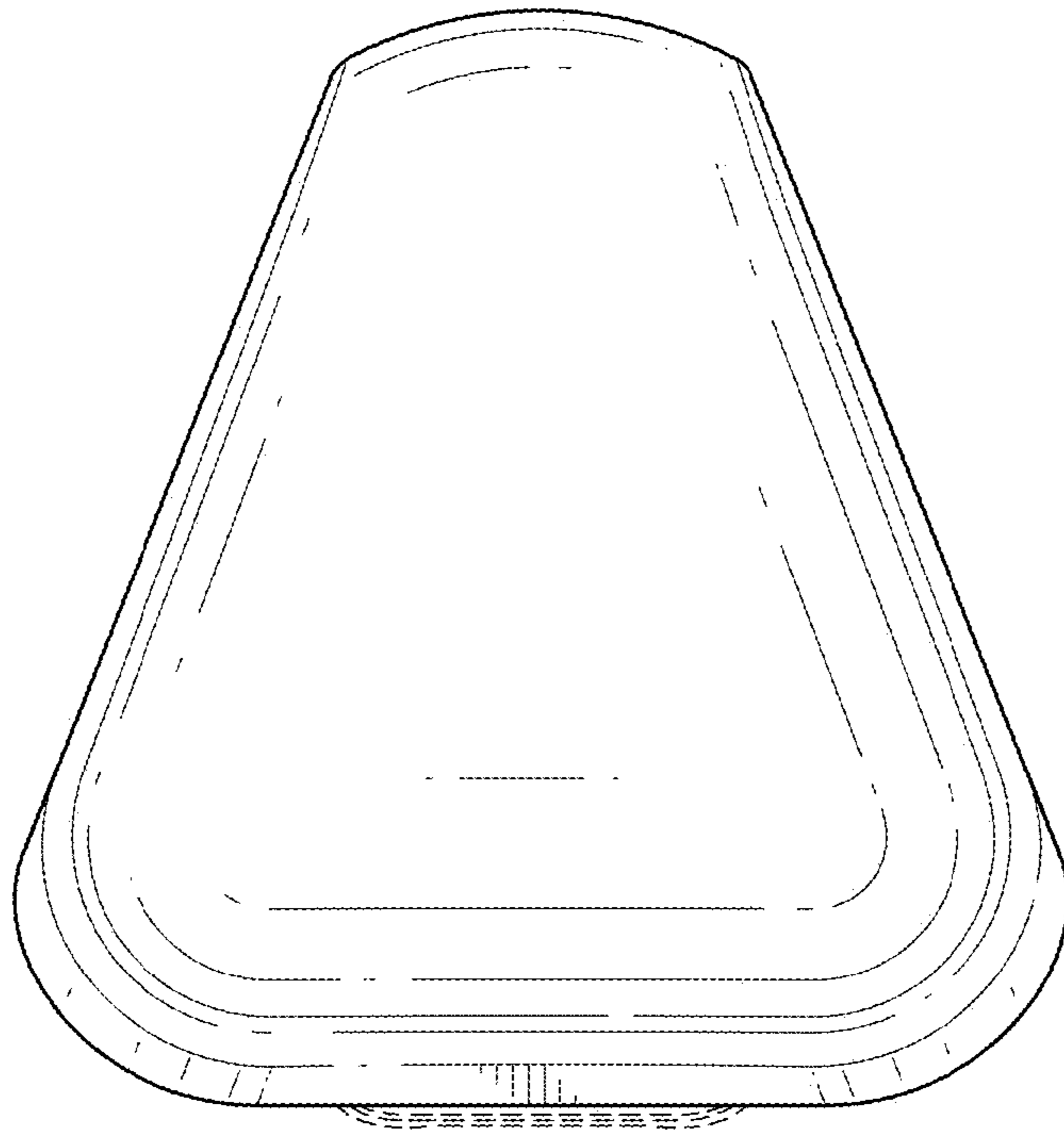


FIG. 5

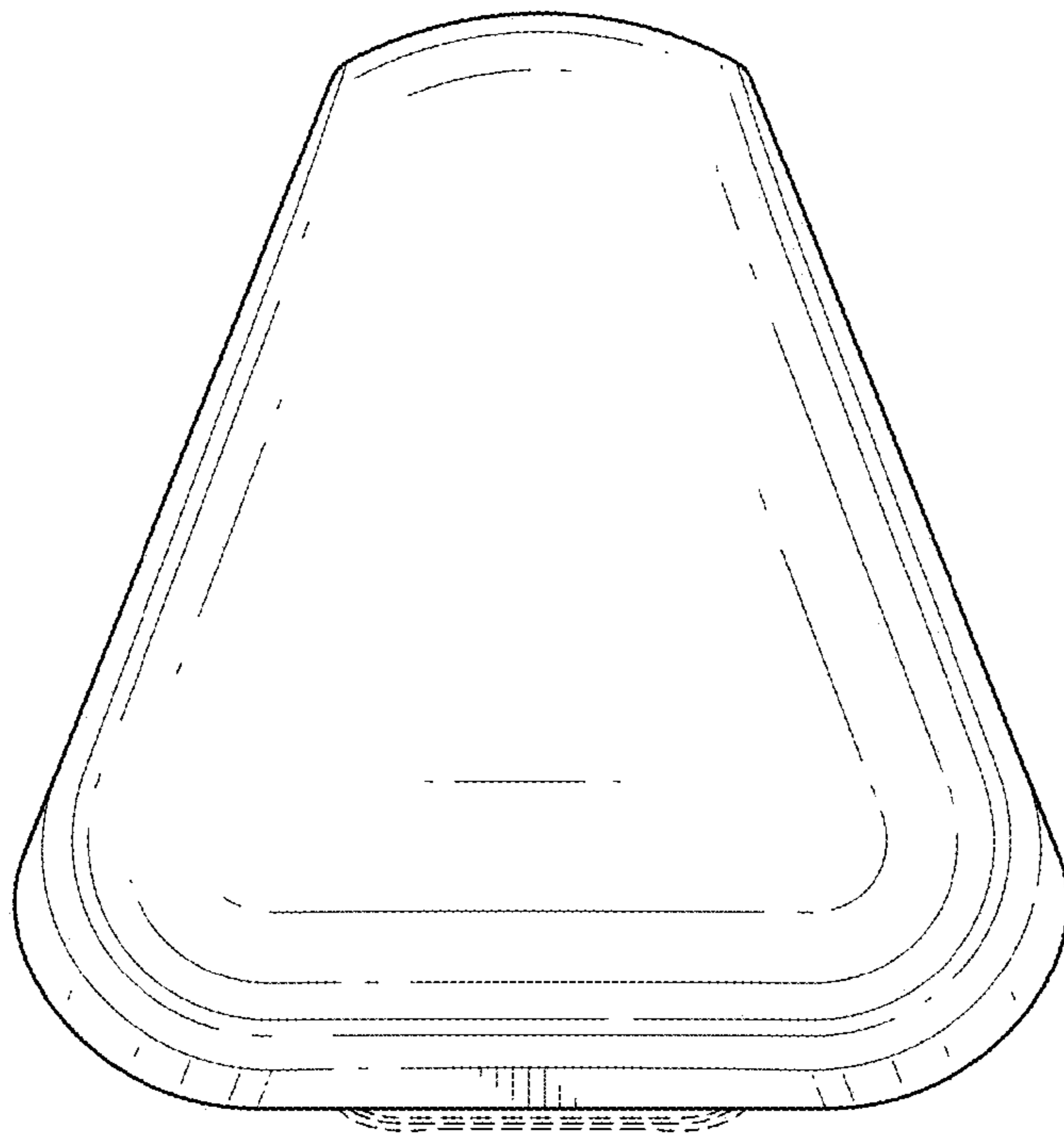


FIG. 6

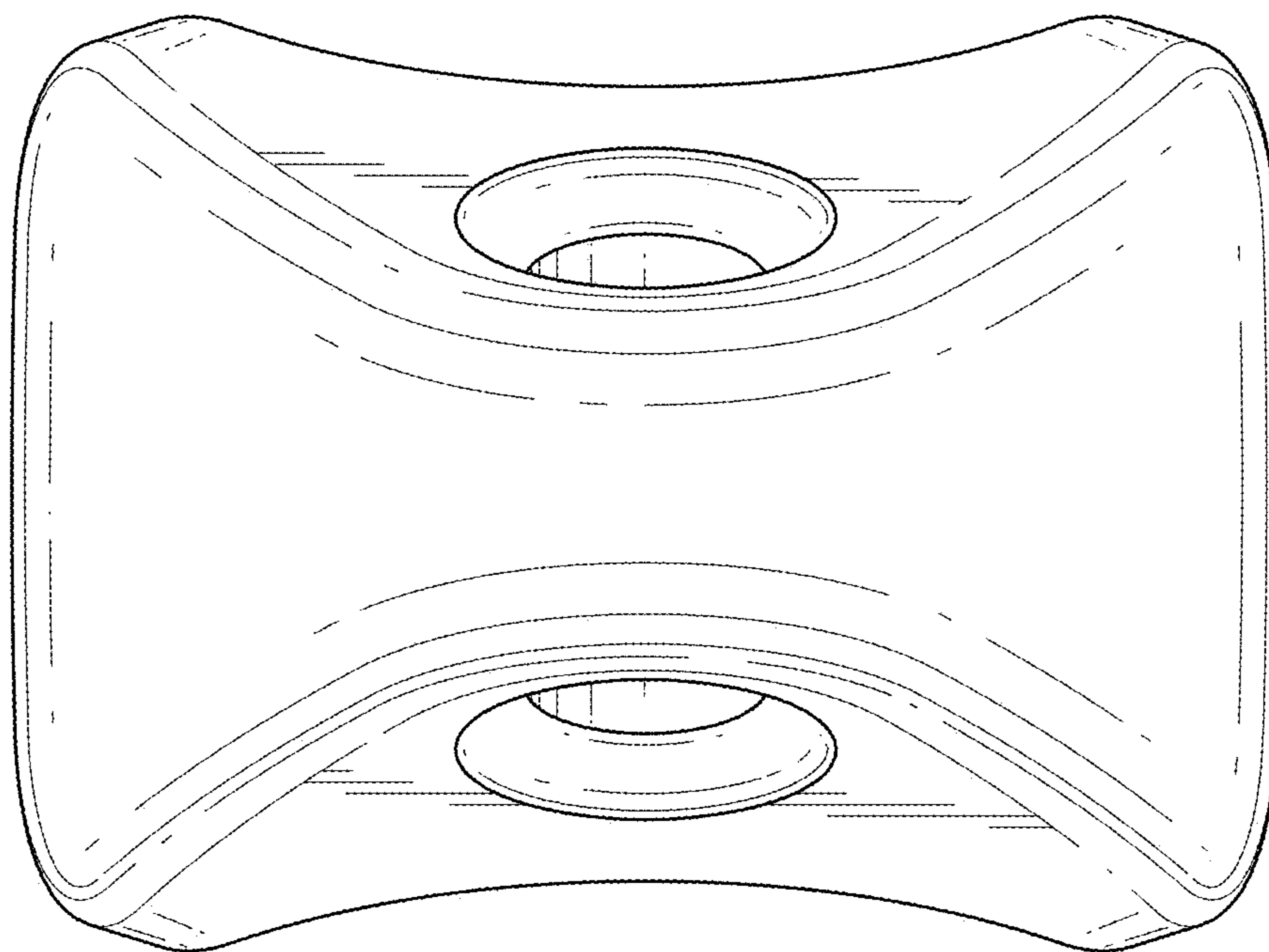


FIG. 7

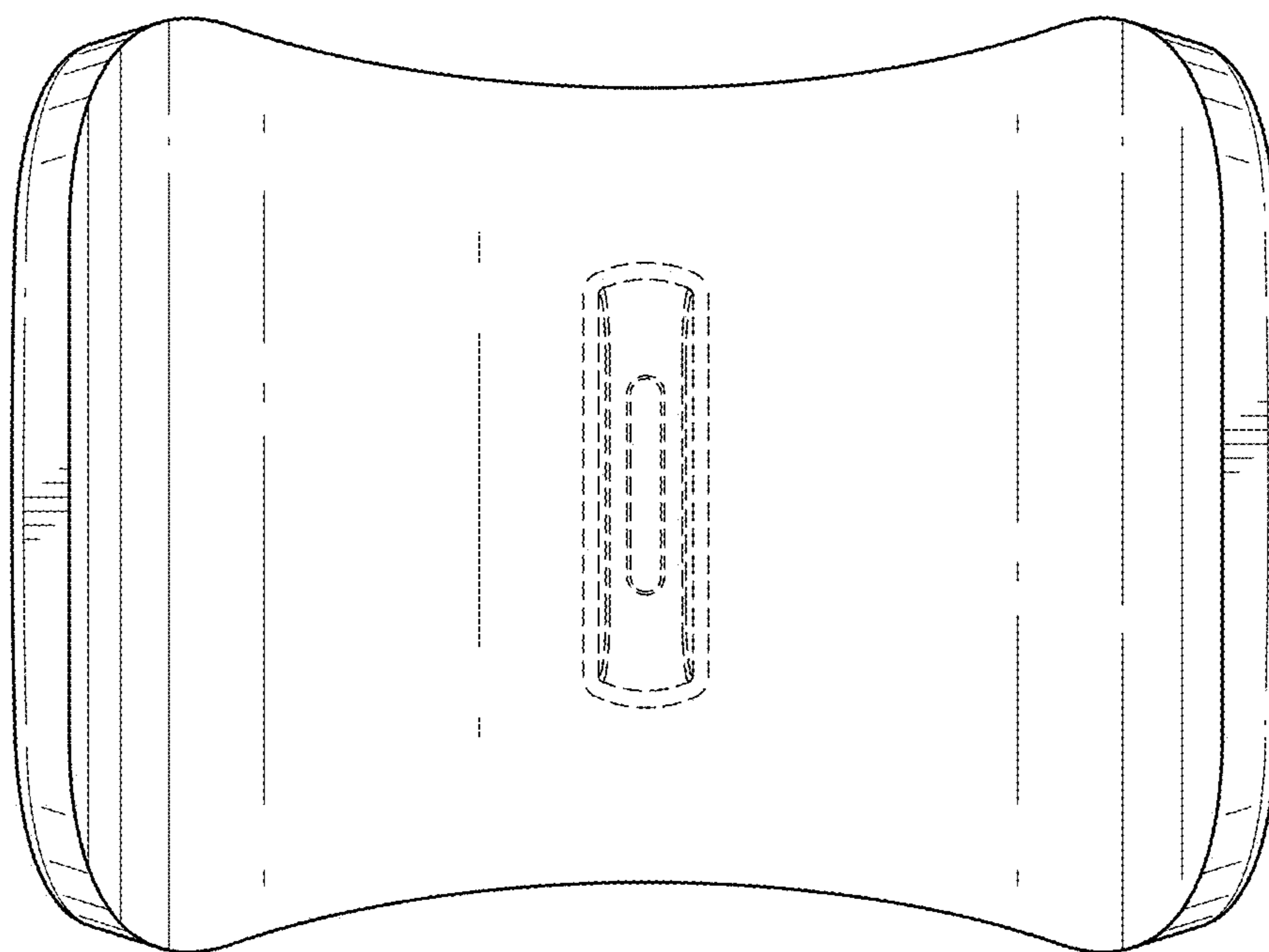


FIG. 8