



US00D882578S

(12) **United States Design Patent**
Zhang

(10) **Patent No.:** **US D882,578 S**

(45) **Date of Patent:** **** Apr. 28, 2020**

(54) **USB-C HUB**

(71) Applicant: **Qinbing Zhang**, Shenzhen (CN)

(72) Inventor: **Qinbing Zhang**, Shenzhen (CN)

(73) Assignee: **Shanghai Xinxie Industrial Co., Ltd**,
Shanghai (CN)

(**) Term: **15 Years**

(21) Appl. No.: **29/689,182**

(22) Filed: **Apr. 28, 2019**

(51) **LOC (12) Cl.** **14-02**

(52) **U.S. Cl.**
USPC **D14/433**

(58) **Field of Classification Search**
USPC D14/240, 242, 356, 357, 358, 378, 383,
D14/384, 385, 386, 433, 434, 435.1,
D14/480.1, 480.3, 480.4, 480.5, 480.6,
D14/480.7; D13/103, 107, 108, 110, 146;
D18/12, 12.1, 12.3
CPC H01R 25/003; H01R 25/006; H01R 27/02;
H01R 31/005; H01R 13/60; H01R
13/6658; H01R 13/72; G06F 1/1607;
G06F 1/1632; G06F 1/1684; G06F 1/266;
G06F 11/325; G06F 13/00; G06F 13/12;
G06F 13/14; G06F 13/20; G06F 13/382;
G06F 13/4022; G06F 9/4413

See application file for complete search history.

(56) **References Cited**

U.S. PATENT DOCUMENTS

D789,935 S	*	6/2017	Zheng	D14/433
D807,290 S	*	1/2018	Liao	D13/110
D813,875 S	*	3/2018	Liao	D14/434
D828,839 S	*	9/2018	Zhang	D14/433
D828,841 S	*	9/2018	Zhang	D14/433
D830,366 S	*	10/2018	Turksu	D14/433
D833,445 S	*	11/2018	Xie	D14/433
D841,007 S	*	2/2019	Xie	D14/433

D844,618 S	*	4/2019	Liao	D14/434
D854,544 S	*	7/2019	Liao	D14/434
D855,616 S	*	8/2019	Chin	D14/433
D864,205 S	*	10/2019	Wang	D14/433
D864,208 S	*	10/2019	Duan	D14/433
D864,964 S	*	10/2019	Lyu	D14/433
D866,557 S	*	11/2019	Xiong	D14/433
D876,439 S	*	2/2020	Turksu	D14/433

(Continued)

FOREIGN PATENT DOCUMENTS

EM	006402368-0001	*	5/2019
EM	006402368-0002	*	5/2019

OTHER PUBLICATIONS

The Best USB and USB-C Hubs, online, post date Aug. 15, 2018,
URL: <https://uk.pcmag.com/hubs-usbethernet/116906/the-best-usb-and-usb-c-hubs>, retrieved Feb. 25, 2020.*

(Continued)

Primary Examiner — Angela J Lee
Assistant Examiner — Rebekah A Caruso

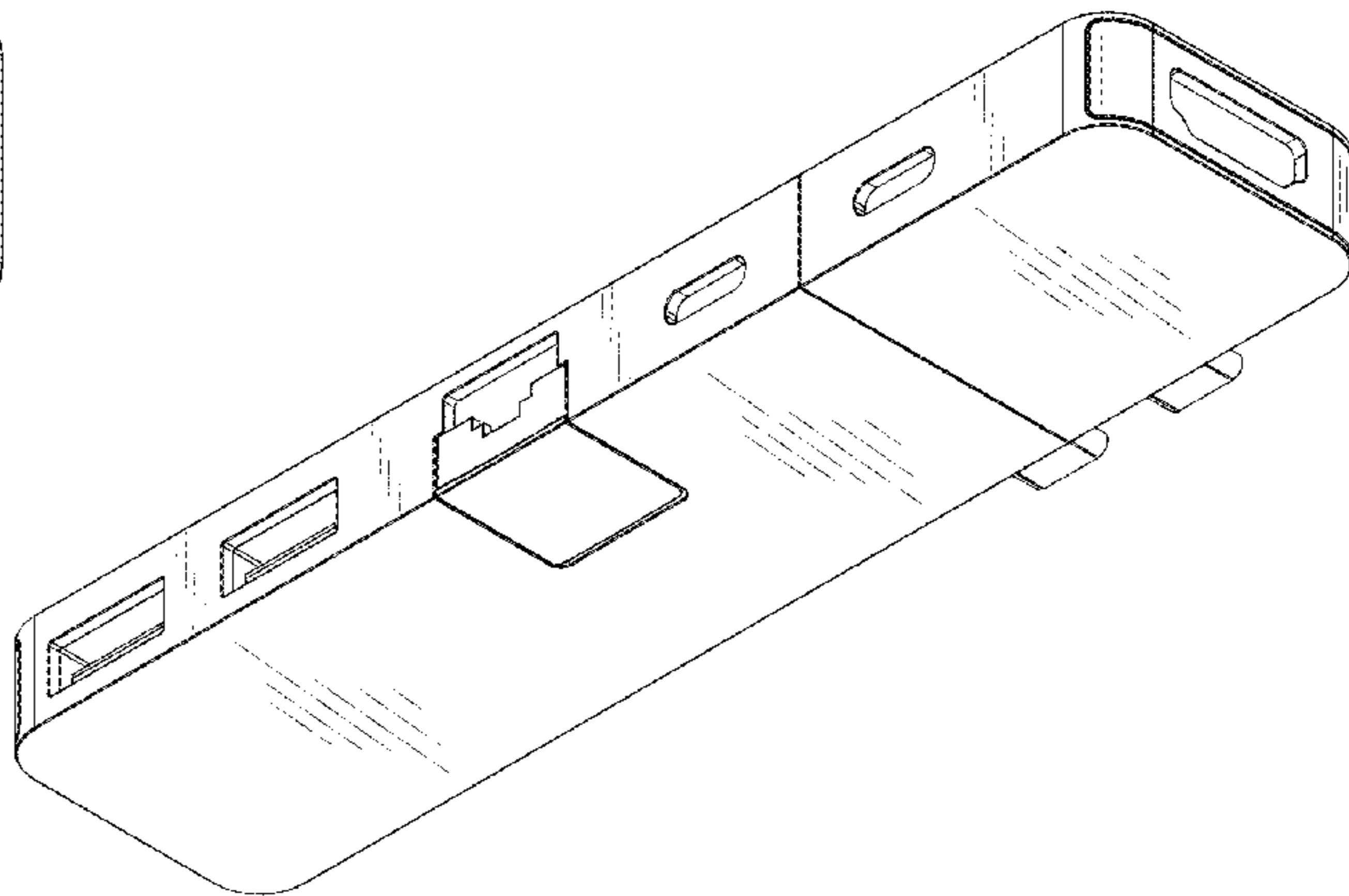
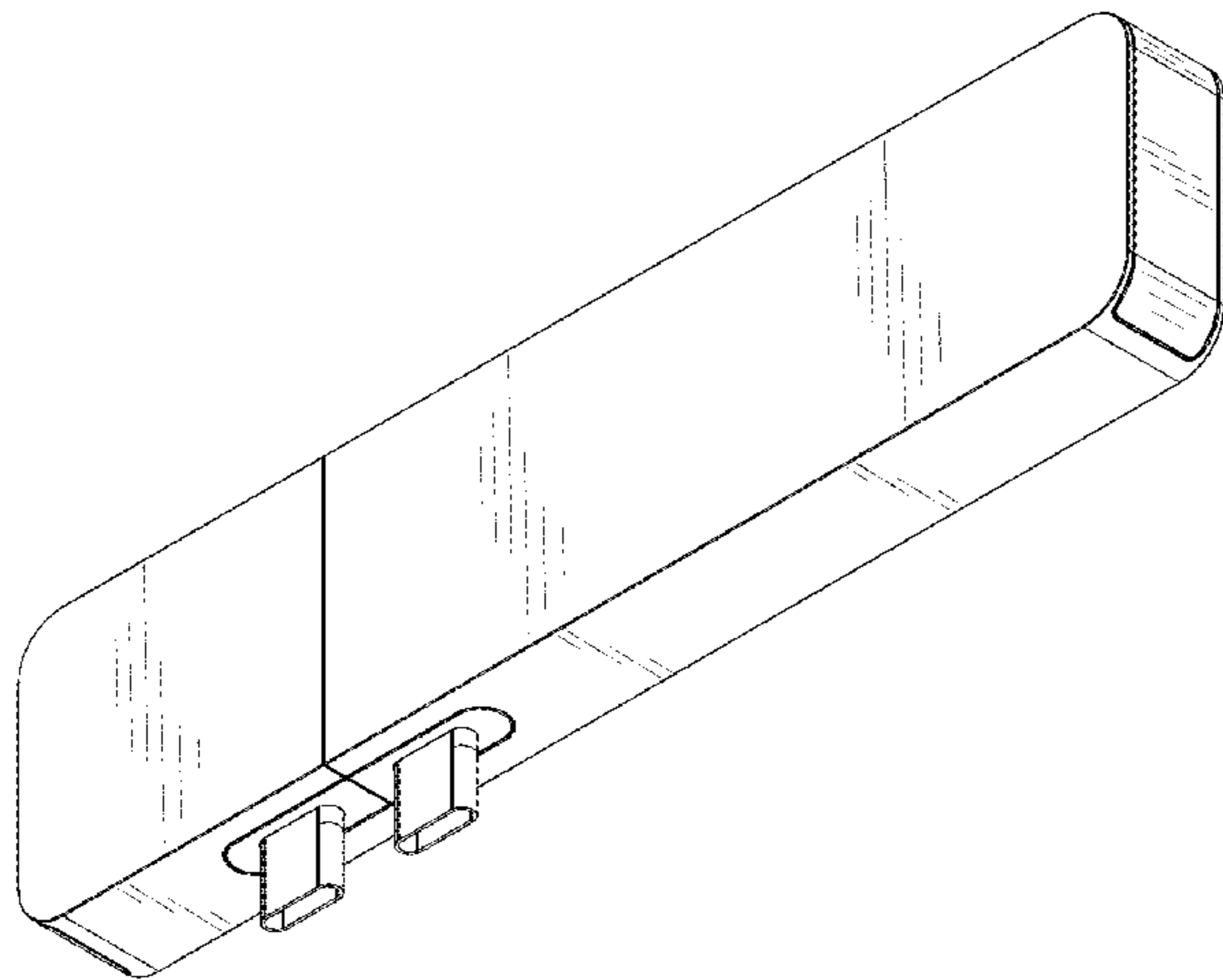
(57) **CLAIM**

The ornamental design for a USB-C hub, as shown and described.

DESCRIPTION

FIG. 1 is a rear, bottom perspective view of the USB-C hub showing my new design;
FIG. 2 is a front, top perspective view thereof;
FIG. 3 is a front elevational view thereof;
FIG. 4 is a rear elevational view thereof;
FIG. 5 is a left side elevational view thereof;
FIG. 6 is a right side elevational view thereof;
FIG. 7 is a top plan view thereof;
FIG. 8 is a bottom plan view thereof; and,
FIG. 9 is an exploded perspective view thereof.

1 Claim, 6 Drawing Sheets



(56)

References Cited

U.S. PATENT DOCUMENTS

2003/0148656 A1* 8/2003 Huang H01R 13/6658
439/501
2006/0085584 A1* 4/2006 Chen G06F 1/1632
710/303
2007/0212145 A1* 9/2007 Chu G06F 1/1632
400/76
2020/0014161 A1* 1/2020 Liao H05K 1/18

OTHER PUBLICATIONS

Hyper HyperDrive Net 6-in-2 Hub, online, no post date, URL:
https://www.bhphotovideo.com/c/product/1418627-REG/sanho_sagn28ng_hyperdrive_net_6_in_2_hub.html, retrieved Feb. 25, 2020.*
Verbatim Aluminum Dual USB C Hub Adapter w/ Ethernet, online,
no post date, URL: <http://cavpforum.com/product/verbatim-aluminum-dual-usb-c-hub-adapter-with-ethernet-4k-hdmi-video-output-1gbps-rj45-lan-input-usb-c-pd-2-x-usb-3-0-ports-for-2016-2017-2018-macbook-pro-1-year-warranty-space-gray/>, retrieved Feb. 25, 2020.*

* cited by examiner

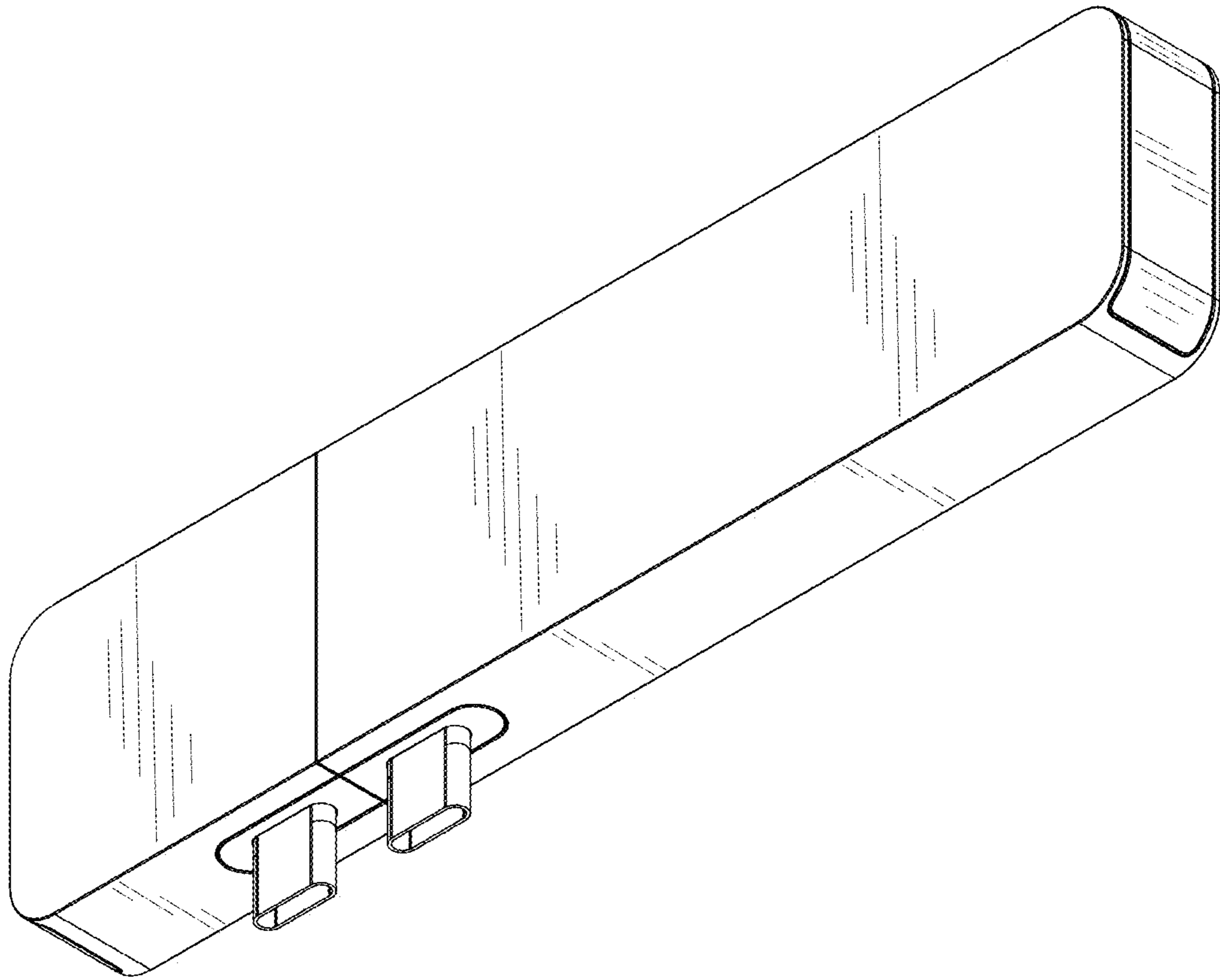


FIG. 1

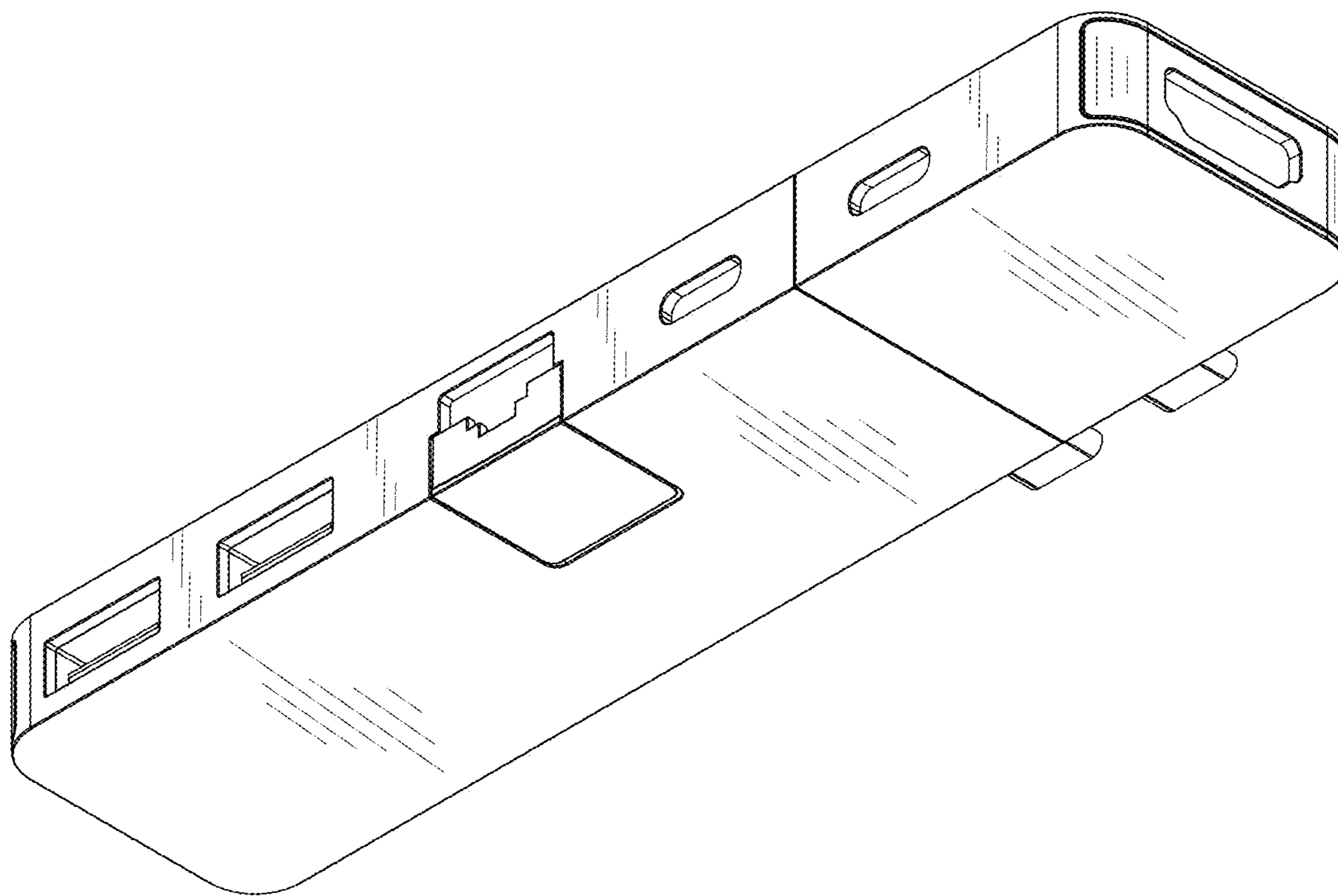


FIG. 2

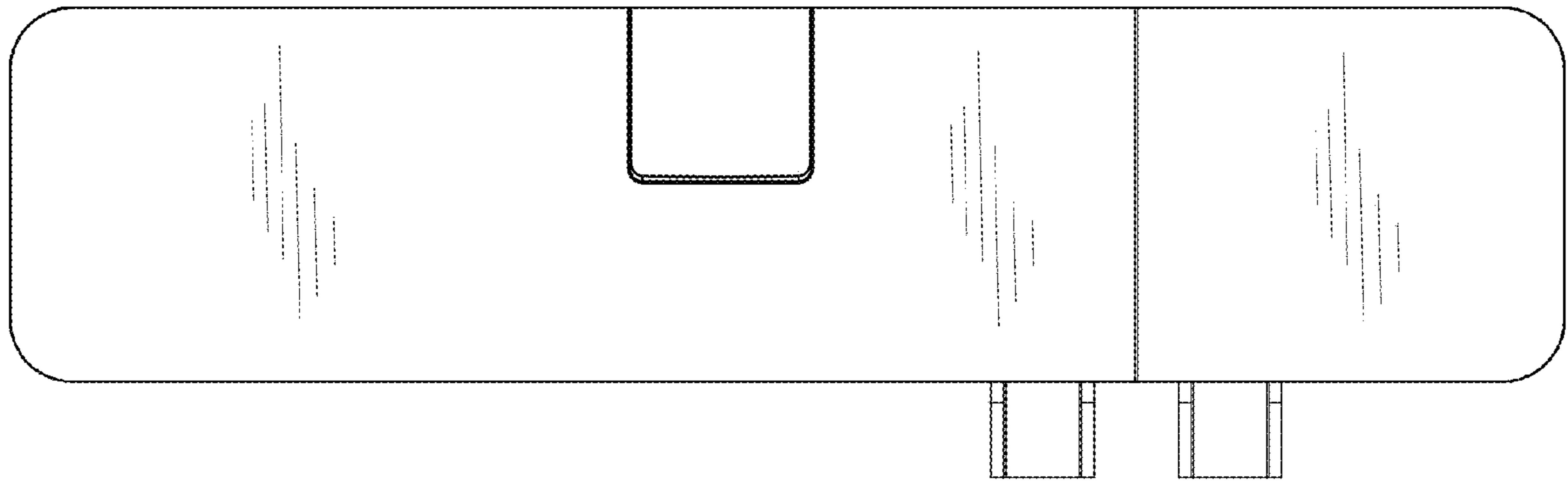


FIG. 3

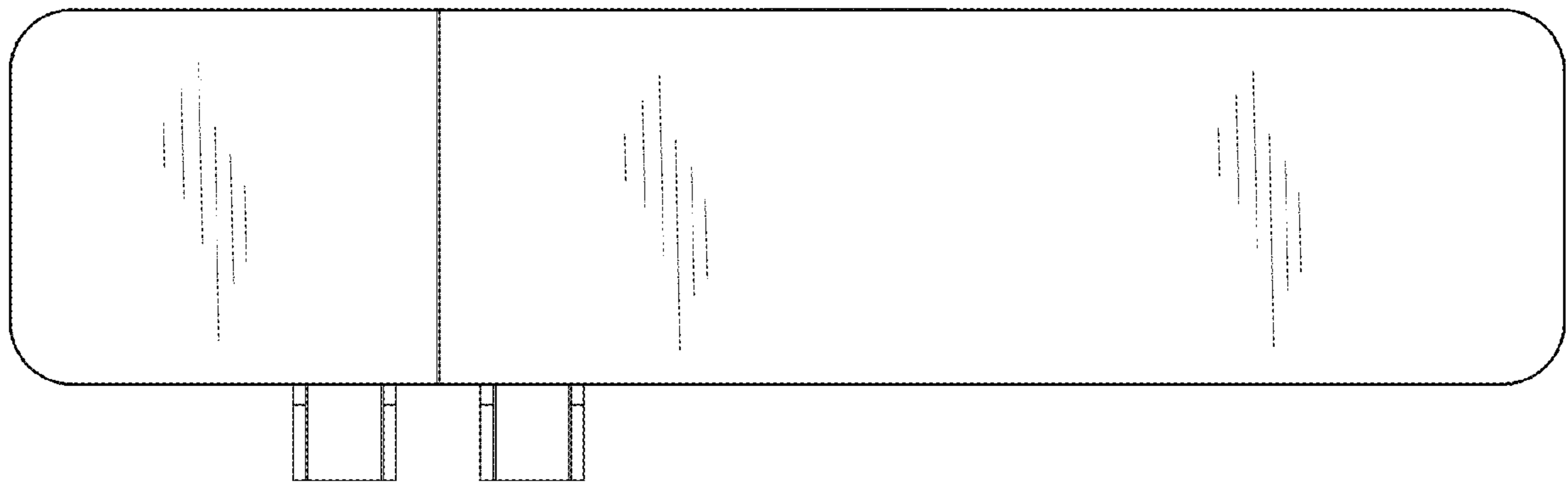


FIG. 4

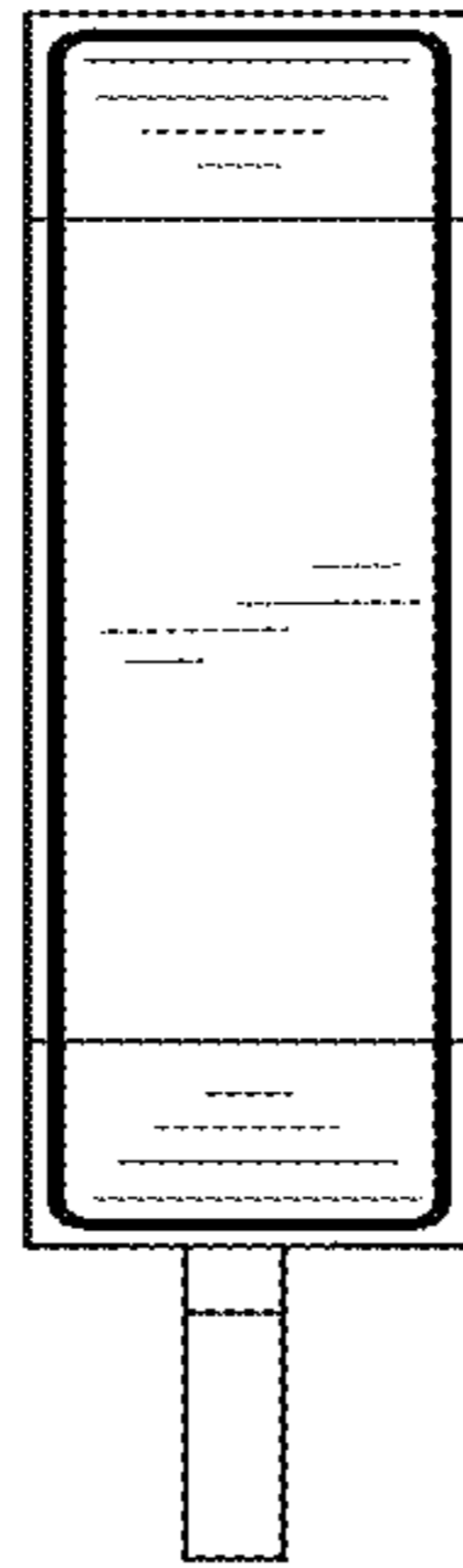


FIG. 5

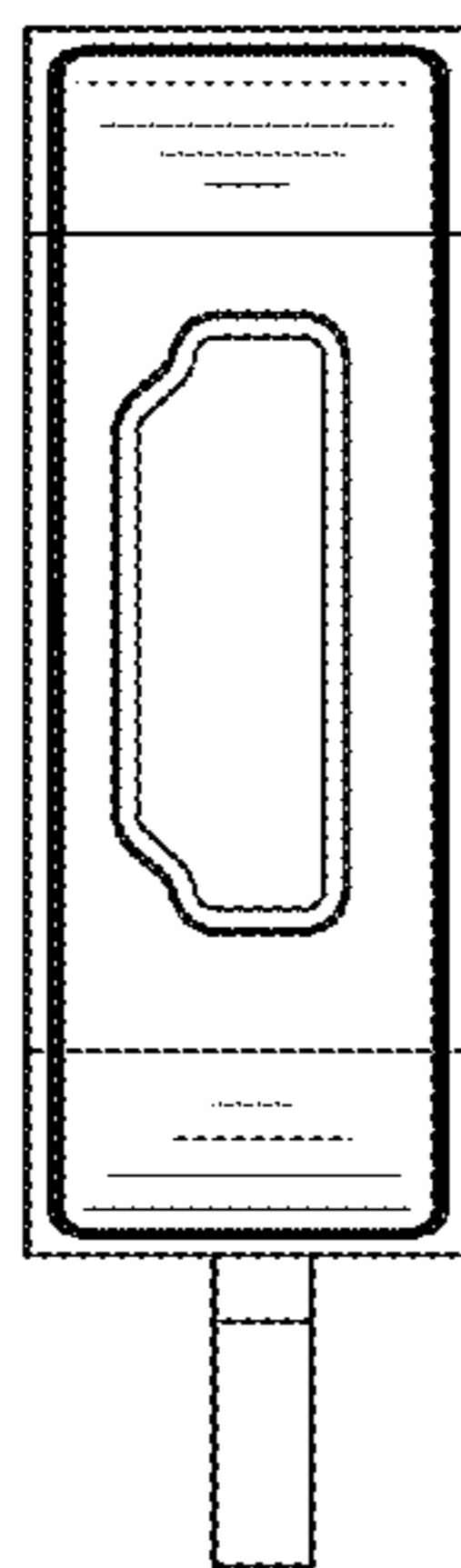


FIG. 6

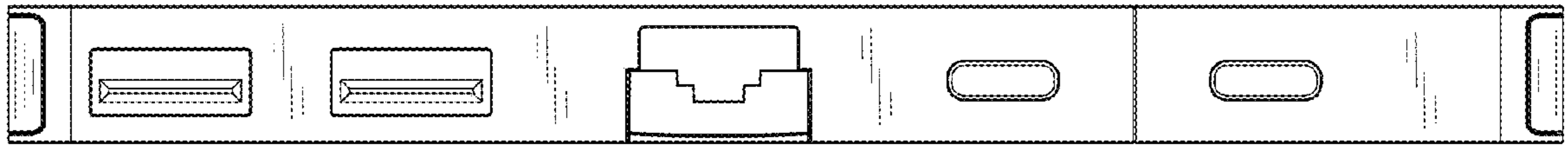


FIG. 7



FIG. 8

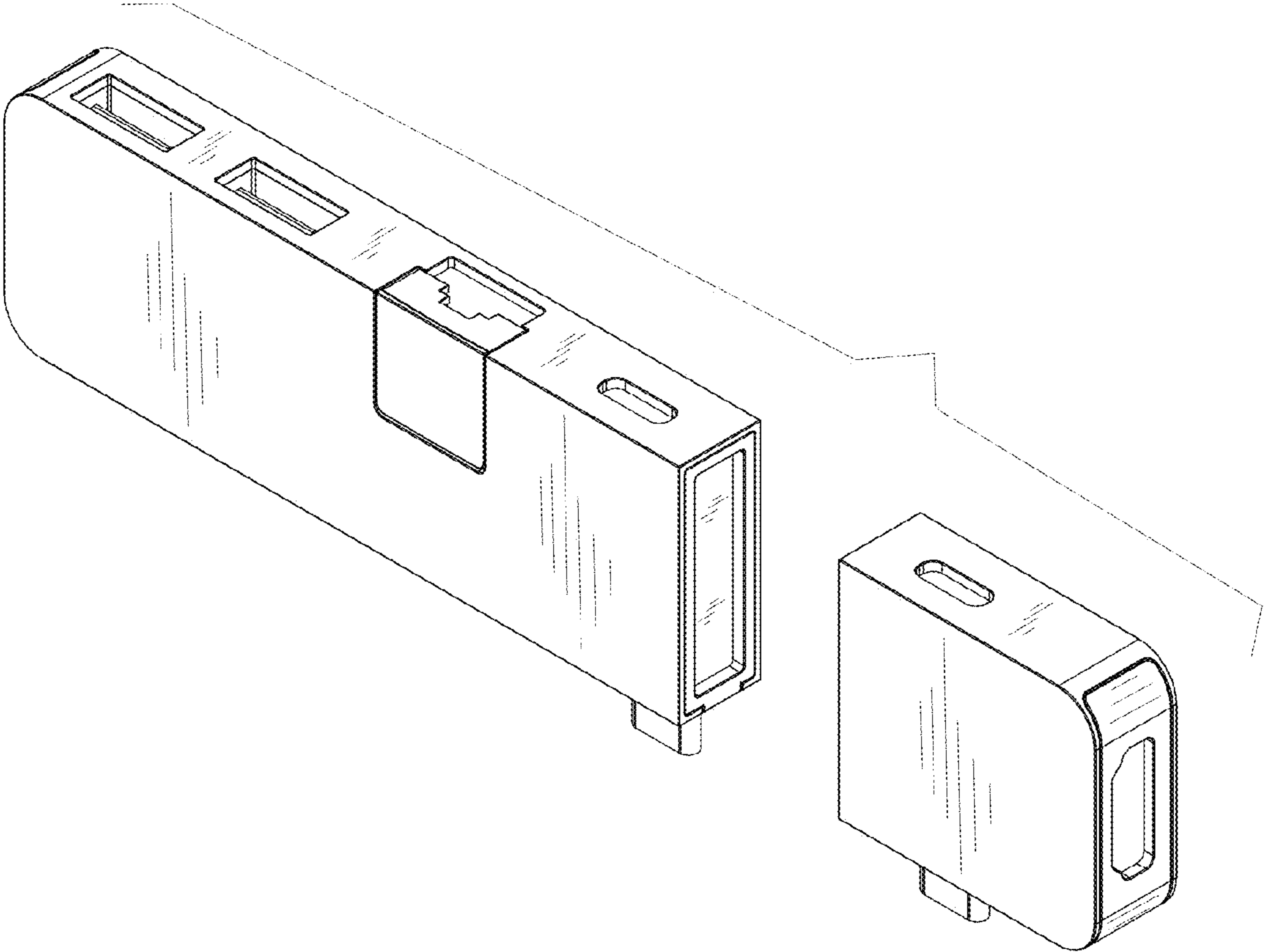


FIG. 9