



US00D882577S

(12) **United States Design Patent** (10) **Patent No.:** **US D882,577 S**
Liao (45) **Date of Patent:** **** Apr. 28, 2020**

(54) **MULTI-FUNCTION CONVERTER**

- (71) Applicant: **Gopod Group Ltd.**,
Shenzhen/Guangdong (CN)
- (72) Inventor: **Zhuowen Liao**, Shenzhen (CN)
- (73) Assignee: **GUANGDONG GOPOD GROUP HOLDING CO., LTD.**, Shenzhen (CN)
- (**) Term: **15 Years**
- (21) Appl. No.: **29/677,985**
- (22) Filed: **Jan. 25, 2019**
- (30) **Foreign Application Priority Data**

Dec. 28, 2018 (CN) 2018 3 0764992

(51) **LOC (12) Cl.** **14-99**

(52) **U.S. Cl.**
USPC **D14/433**

(58) **Field of Classification Search**
USPC D14/240, 242, 356, 357, 358, 378, 383,
D14/384, 385, 386, 433, 434, 435.1,
D14/480.1, 480.3, 480.4, 480.5, 480.6,
D14/480.7; D13/103, 107, 108, 110, 146,
D13/139.6–139.8, 147, 184; D18/12,
D18/12.1, 12.3
CPC H01R 25/003; H01R 25/006; H01R 27/02;
H01R 31/005; H01R 13/60; H01R
13/6658; H01R 13/72; G06F 1/1607;
G06F 1/1632; G06F 1/1684; G06F 1/266;
G06F 11/325; G06F 13/00; G06F 13/12;
G06F 13/14;

(Continued)

(56) **References Cited**

U.S. PATENT DOCUMENTS

- D560,165 S * 1/2008 Matityahu D13/133
- D788,112 S * 5/2017 Liao D14/433
- D800,730 S * 10/2017 Liao D14/433

(Continued)

OTHER PUBLICATIONS

The Best USB-C Hub for Your New Laptop, The Verge online, post date Jun. 1, 2018, URL: <https://www.theverge.com/this-is-my-next/2018/6/1/17413728/the-best-usb-c-hub-for-laptops-macbook-pro>, retrieved Dec. 18, 2019.*

(Continued)

Primary Examiner — Jeffrey D Asch

Assistant Examiner — Rebekah A Caruso

(74) *Attorney, Agent, or Firm* — Dorsey & Whitney LLP

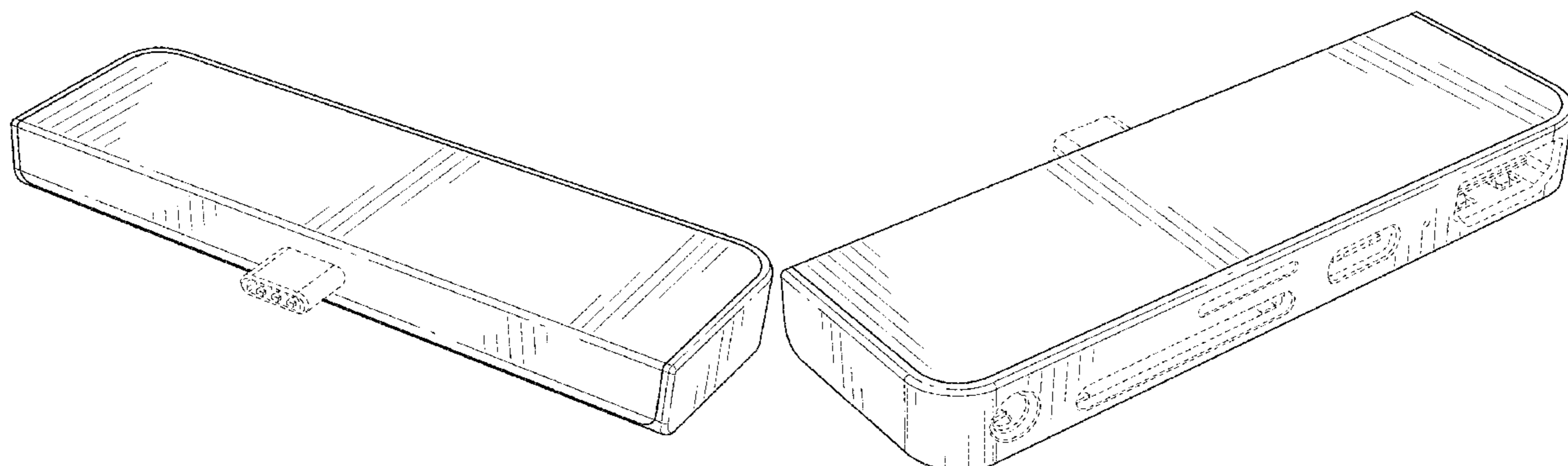
(57) **CLAIM**

The ornamental design for a multi-function converter, as shown and described.

DESCRIPTION

FIG. 1 is a top view of a multi-function converter showing my new design;
 FIG. 2 is a bottom view thereof;
 FIG. 3 is a left side view thereof;
 FIG. 4 is a right side view thereof;
 FIG. 5 is a front view thereof;
 FIG. 6 is a rear view thereof;
 FIG. 7 is a top, front, right side perspective view thereof;
 FIG. 8 is a top, front, left side perspective view thereof;
 FIG. 9 is a top view of an alternative embodiment of my new design;
 FIG. 10 is a bottom view thereof;
 FIG. 11 is a left side view thereof;
 FIG. 12 is a right side view thereof;
 FIG. 13 is a front view thereof;
 FIG. 14 is a rear view thereof;
 FIG. 15 is a top, front, right side perspective view thereof;
 and,
 FIG. 16 is a top, front, left side perspective view thereof.
 The broken lines shown in the drawings illustrate portions of the multi-function converter that form no part of the claimed design.

1 Claim, 6 Drawing Sheets



(58) **Field of Classification Search**
 CPC G06F 13/20; G06F 13/382; G06F 13/4022;
 G06F 9/4413
 See application file for complete search history.

(56) **References Cited**

U.S. PATENT DOCUMENTS

D807,290 S *	1/2018	Liao	D13/110
D813,875 S *	3/2018	Liao	D14/434
D828,839 S *	9/2018	Zhang	D14/433
D828,840 S *	9/2018	Zhang	D14/433
D828,841 S *	9/2018	Zhang	D14/433
D830,366 S *	10/2018	Turksu	D14/433
D855,054 S *	7/2019	Turksu	D14/433
D855,616 S *	8/2019	Chin	D14/433
D856,278 S *	8/2019	Turksu	D13/108
D862,385 S *	10/2019	Turksu	D13/108
D864,205 S *	10/2019	Wang	D14/433

D864,208 S *	10/2019	Duan	D14/433
D864,964 S *	10/2019	Lyu	D14/433
D864,967 S *	10/2019	Liu	D14/434
D866,557 S *	11/2019	Xiong	D14/433
D869,467 S *	12/2019	Lin	D14/434
D874,462 S *	2/2020	Chin	D14/433
D876,439 S *	2/2020	Turksu	D14/433
2006/0085584 A1 *	4/2006	Chen	G06F 1/1632 710/303
2007/0212145 A1 *	9/2007	Chu	G06F 1/1632 400/76
2020/0014161 A1 *	1/2020	Liao	H05K 1/18

OTHER PUBLICATIONS

“The best USB-C adapters 2020: the best deals for Macbook Pros and laptop users,” online, post date 6 days ago, URL: <https://www.techradar.com/uk/deals/best-usb-c-adapters>, retrieved Mar. 5, 2020.*

* cited by examiner

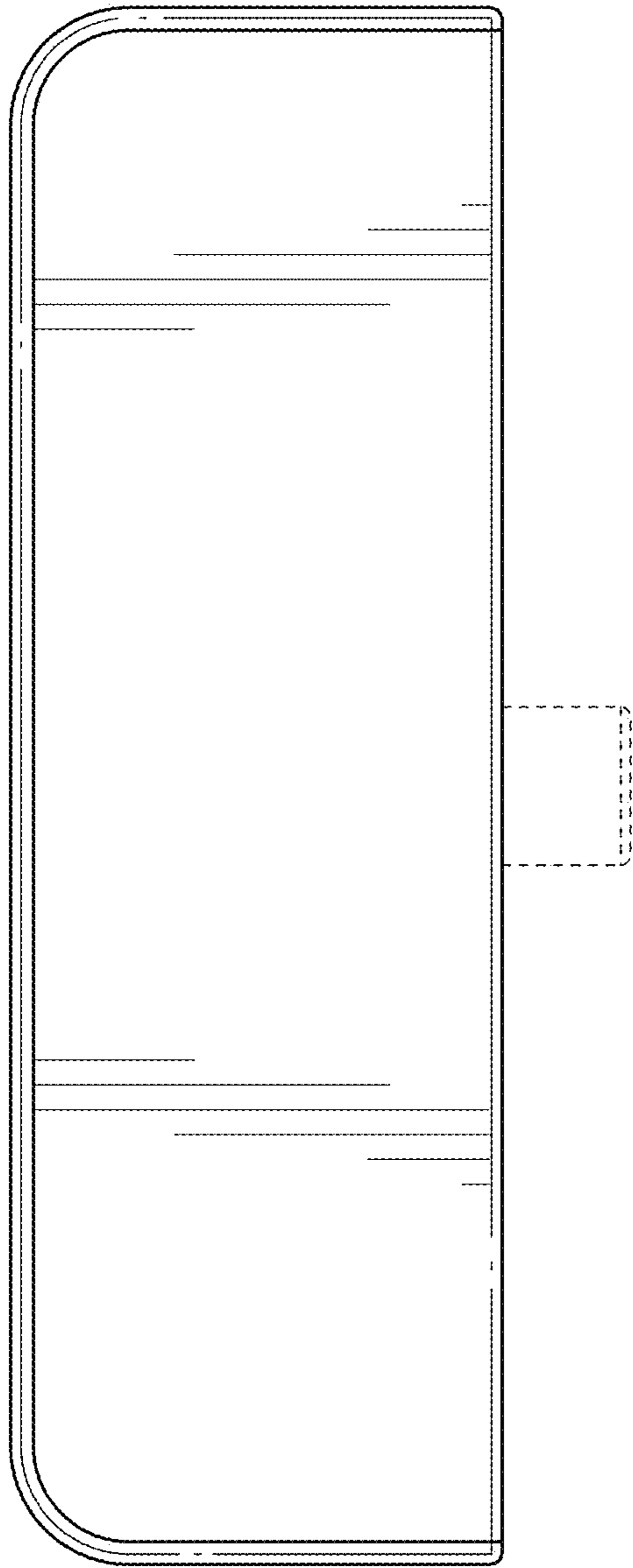


FIG. 1

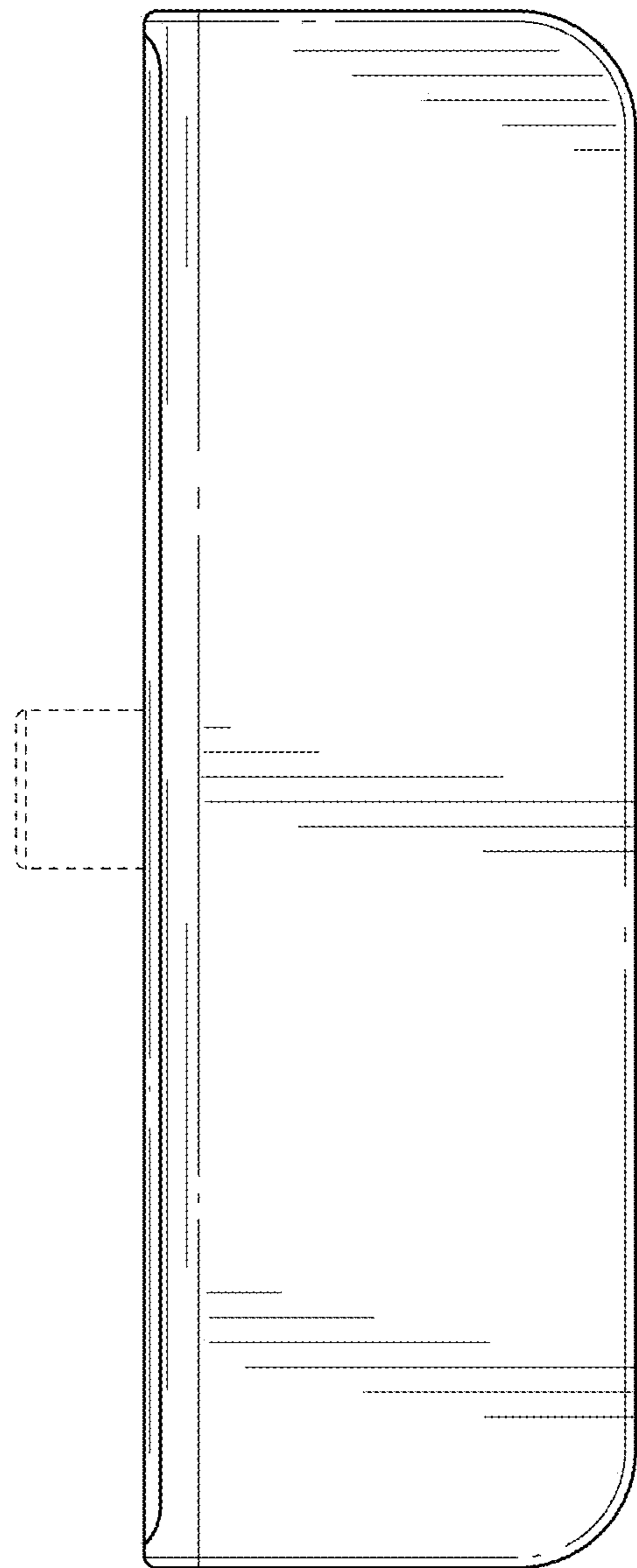


FIG. 2

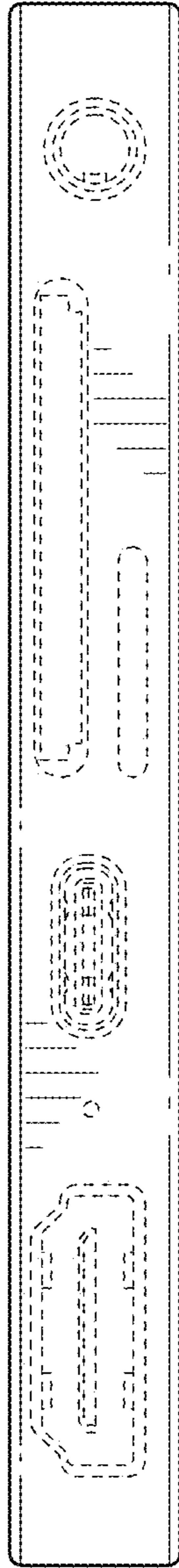


FIG. 3

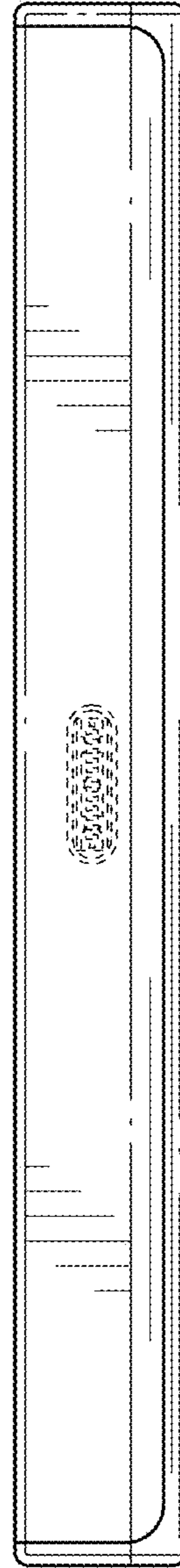


FIG. 4

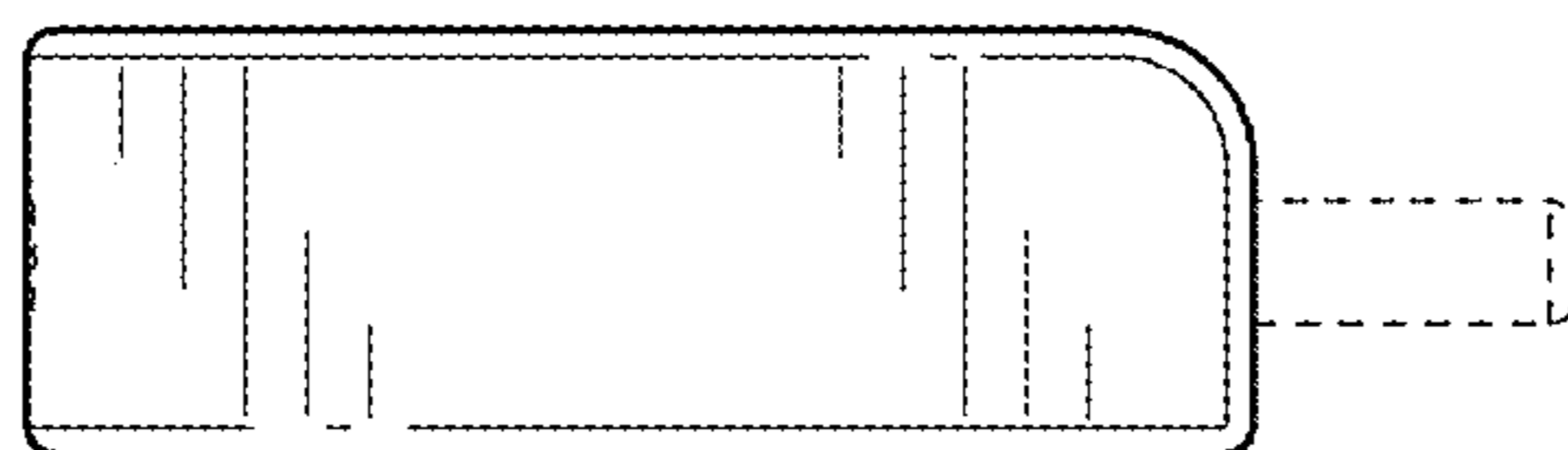


FIG. 5

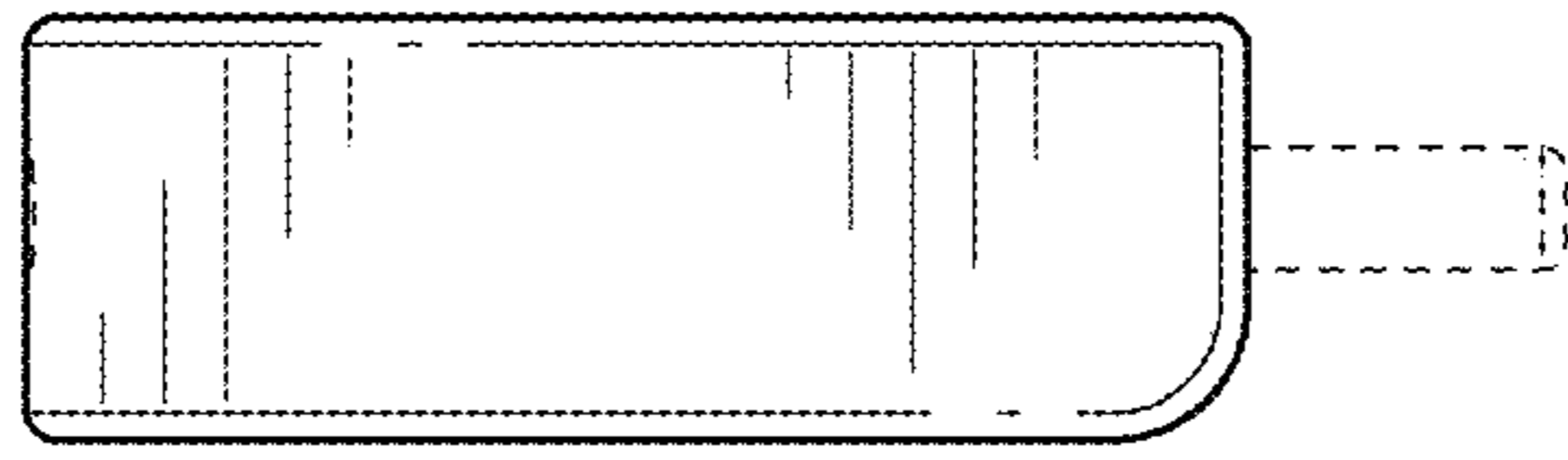


FIG. 6

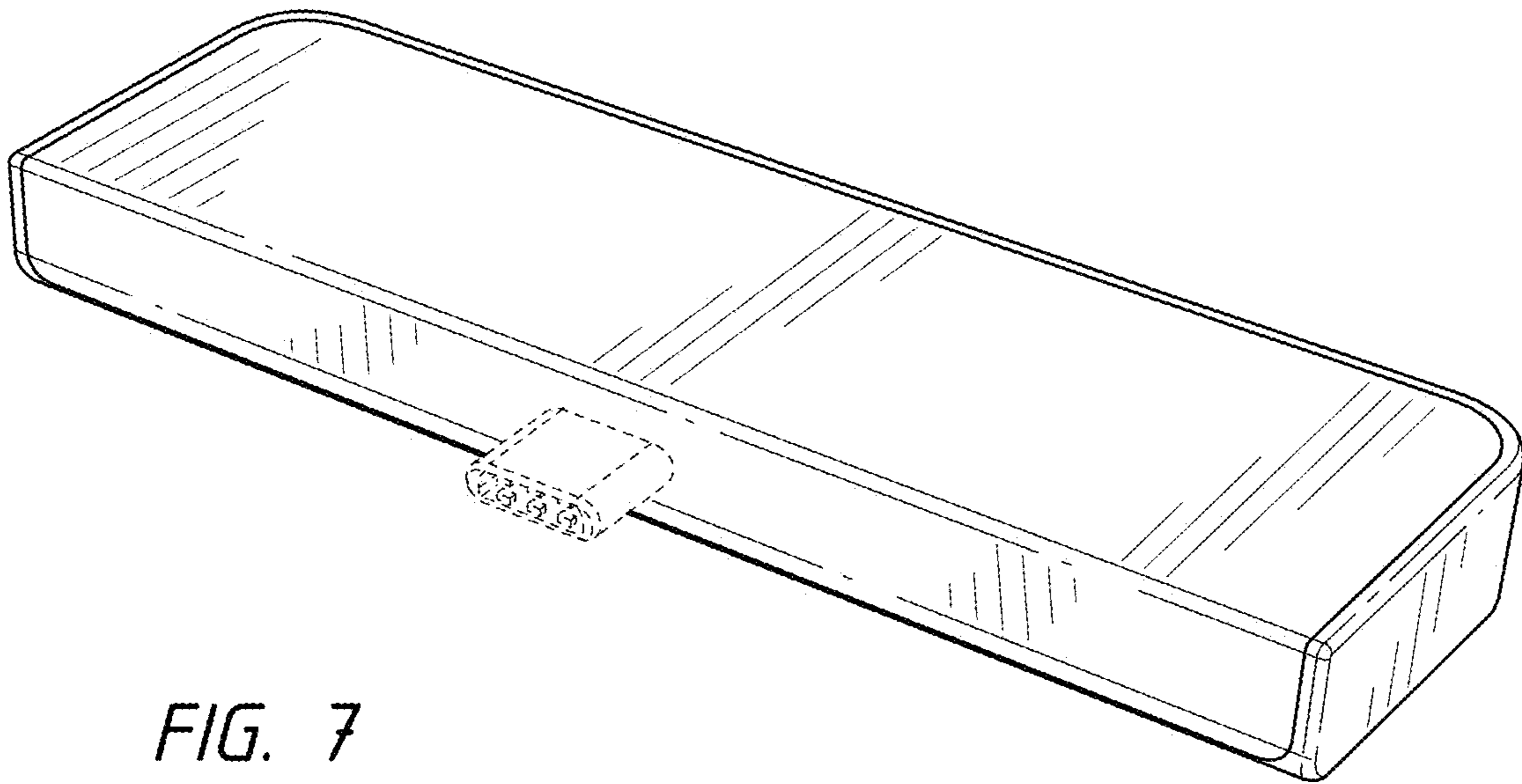


FIG. 7

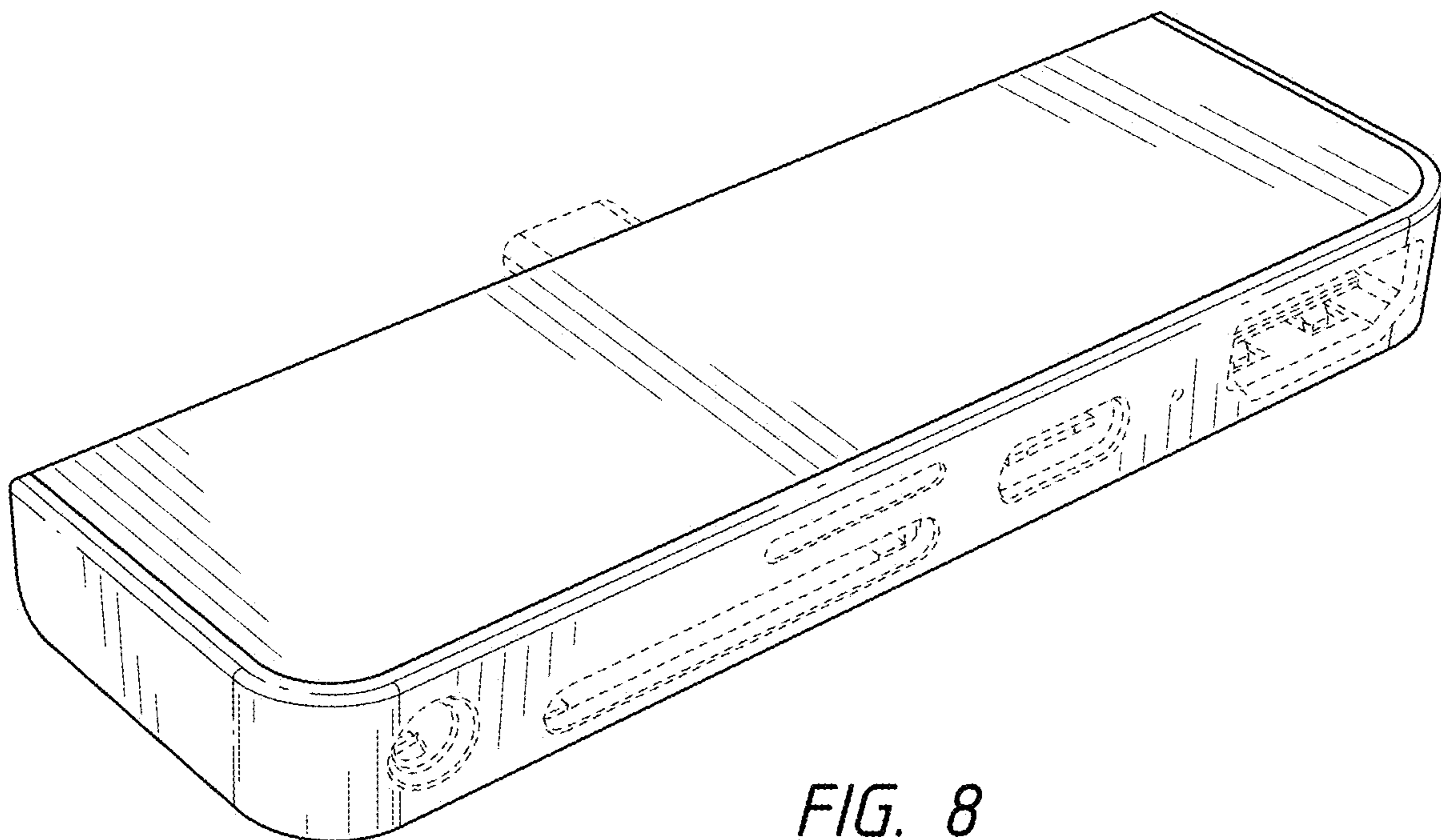


FIG. 8

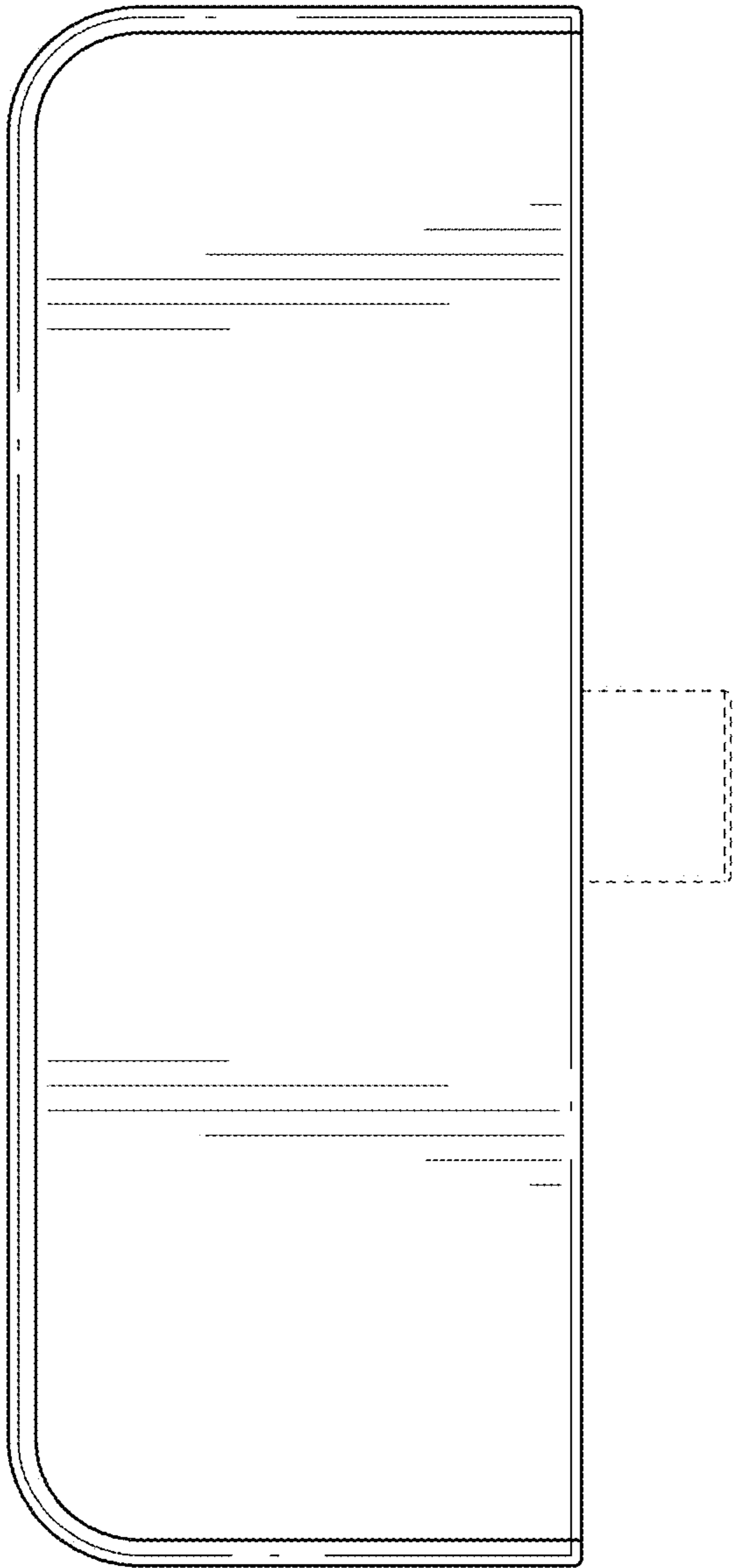


FIG. 9

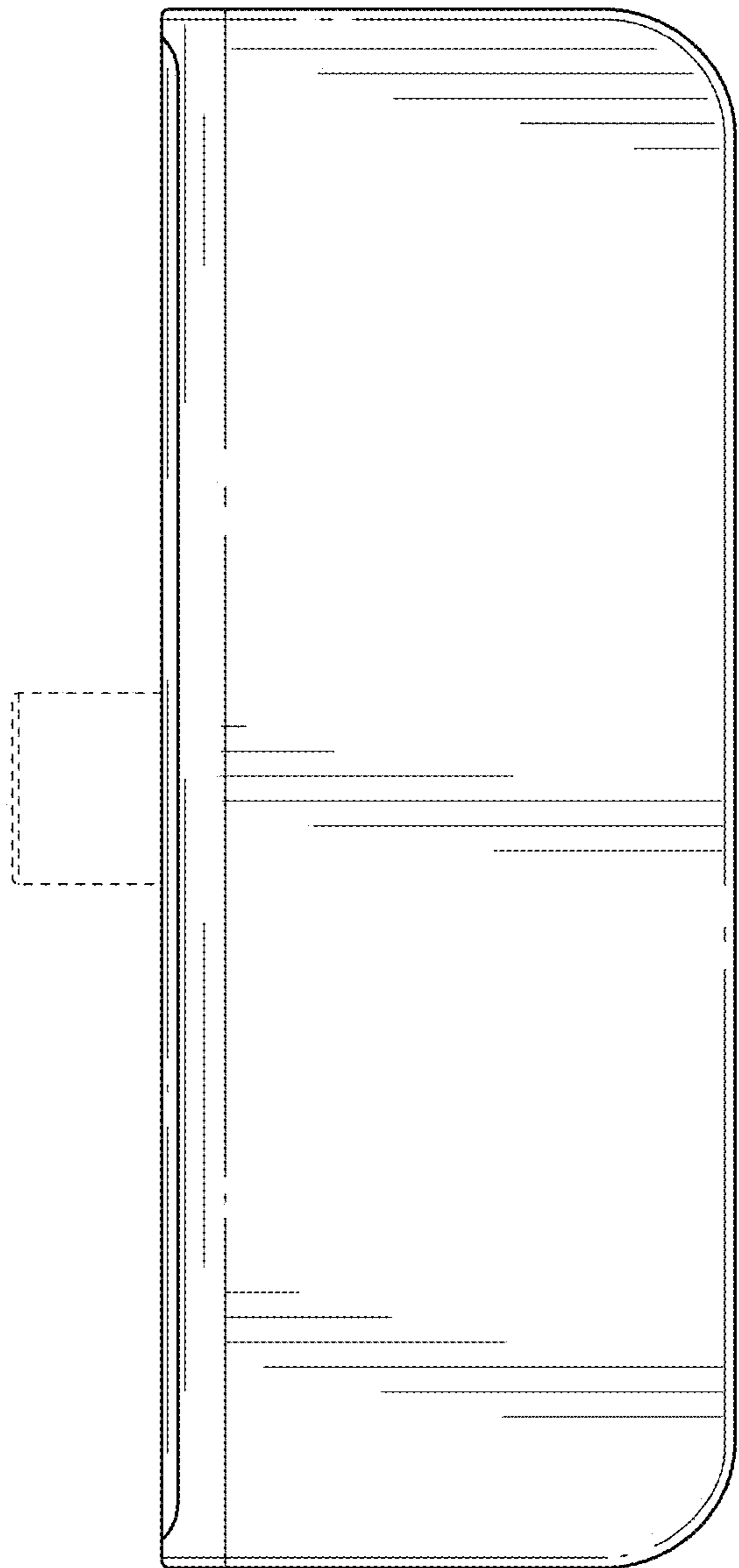


FIG. 10

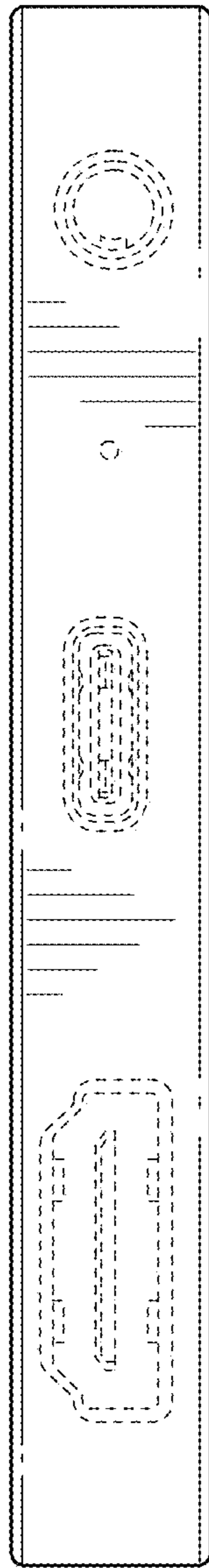


FIG. 11

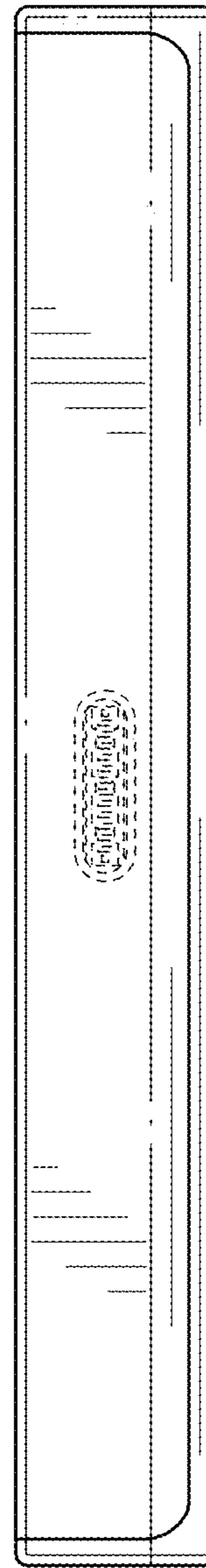


FIG. 12

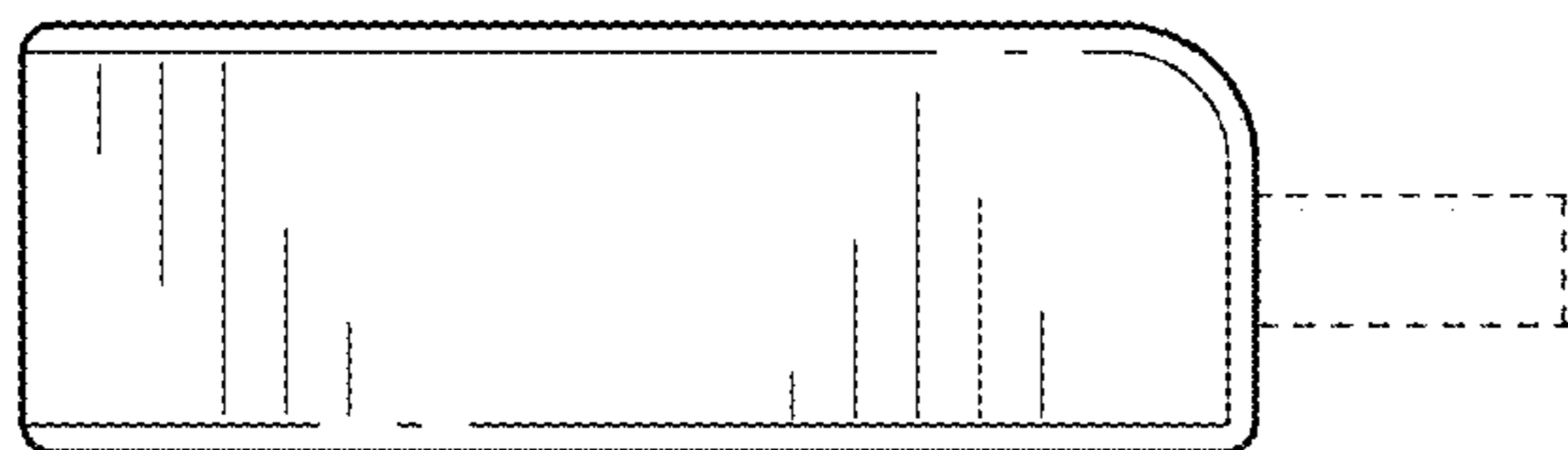


FIG. 13

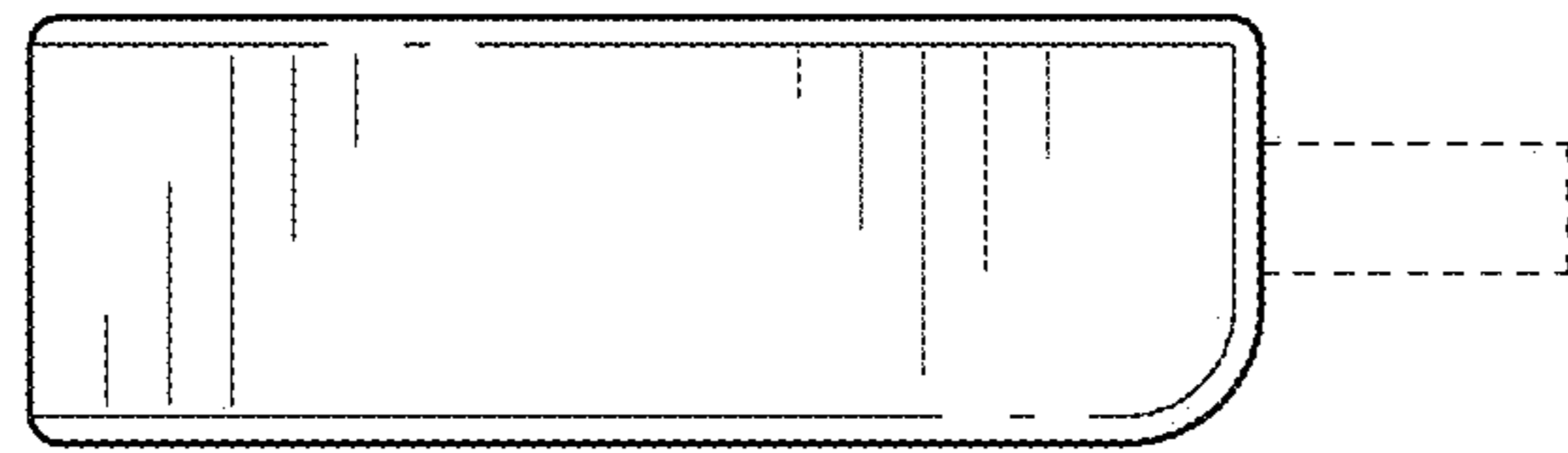


FIG. 14

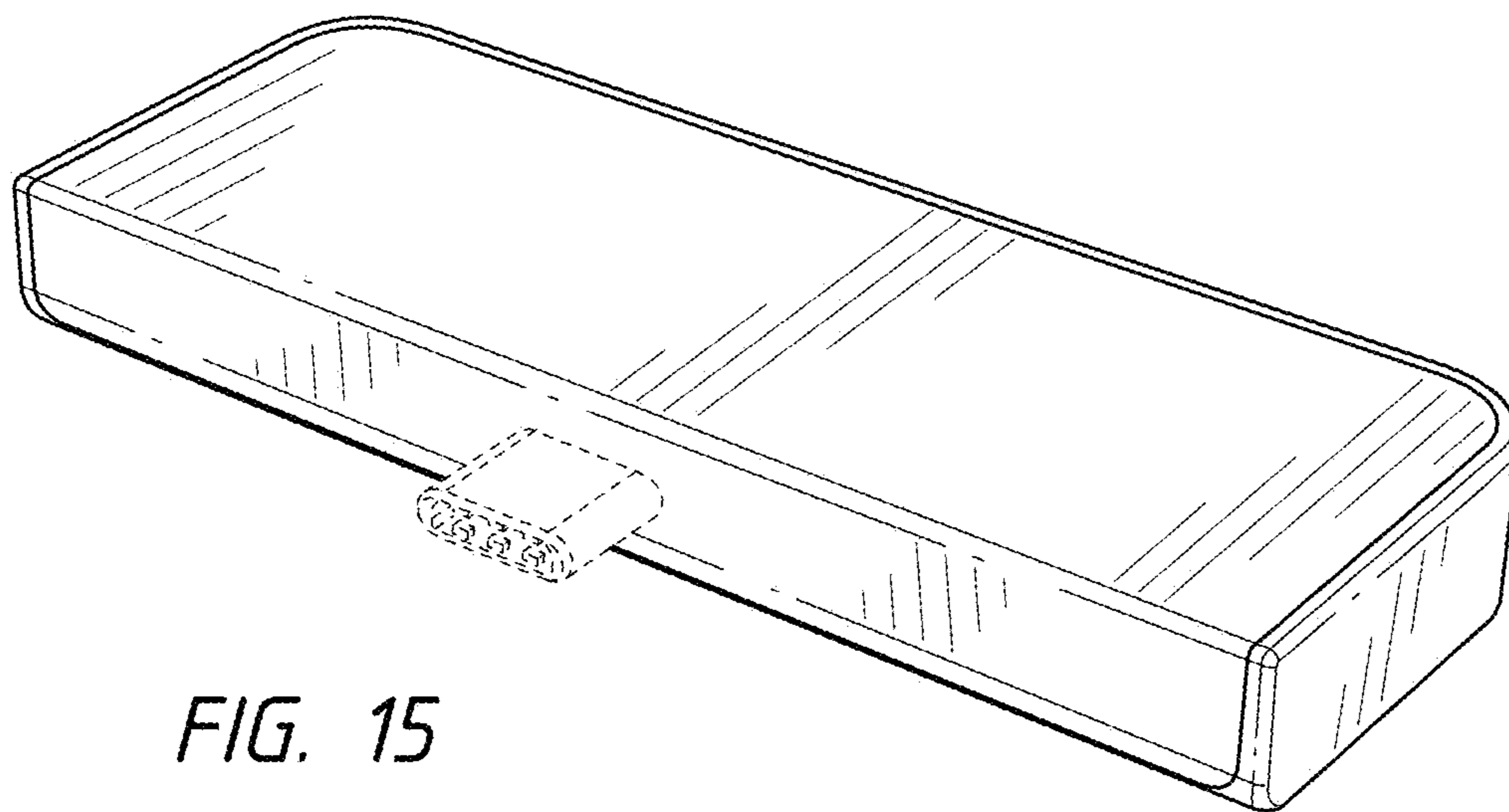


FIG. 15

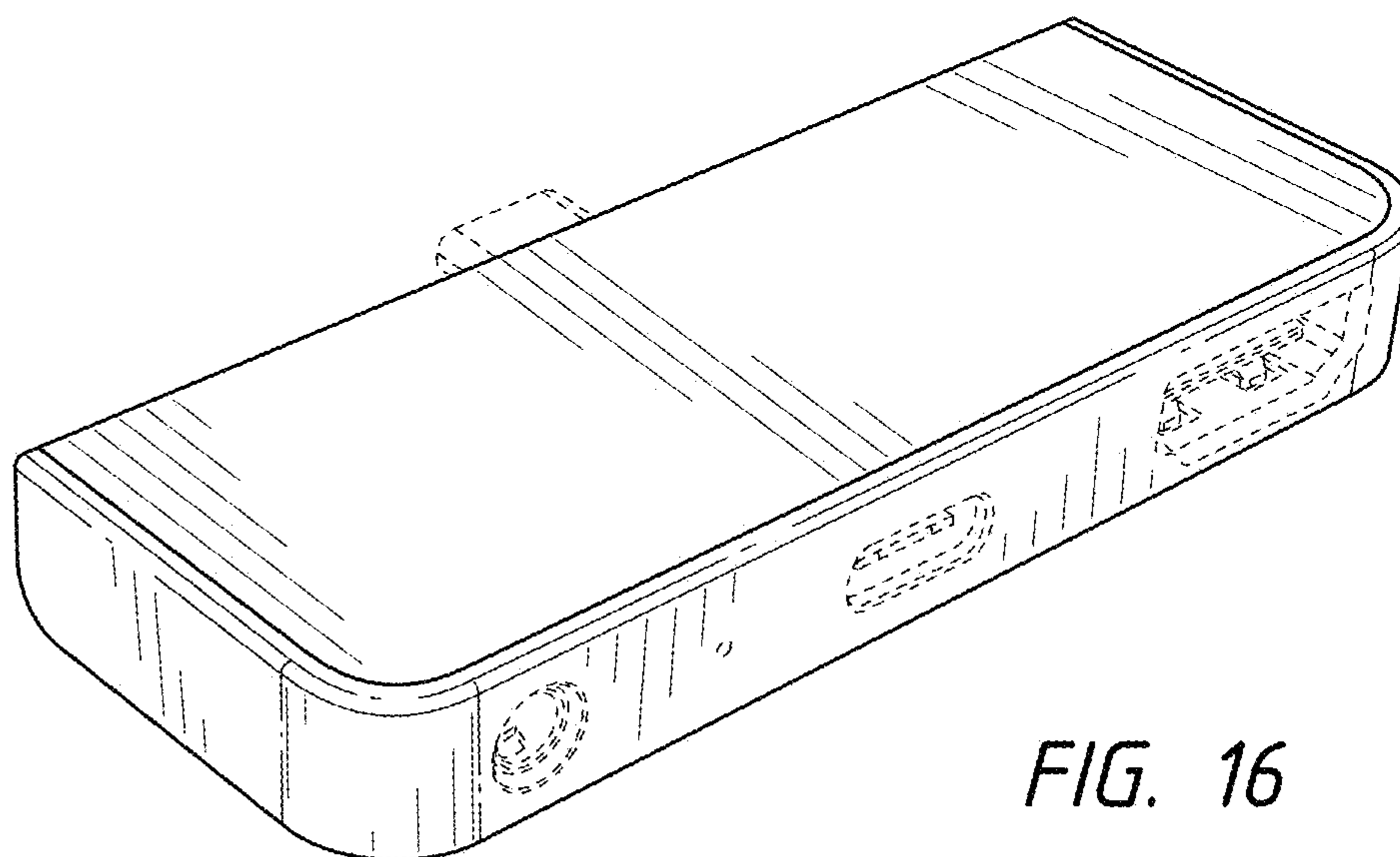


FIG. 16