



US00D882572S

(12) **United States Design Patent**
Sauvage et al.

(10) **Patent No.:** **US D882,572 S**
(45) **Date of Patent:** **** Apr. 28, 2020**

- (54) **ERGONOMIC INPUT DEVICE**
- (71) Applicant: **Logitech Europe S.A.**, Lausanne (CH)
- (72) Inventors: **Sylvain Sauvage**, Fremont, CA (US);
Cathal Loughnane, County Wexford (IE);
Nicholas Jinkinson, St-Sulpice (CH);
Lars Holm Lauridsen, Lausanne (CH)
- (73) Assignee: **Logitech Europe S.A.**, Lausanne (CH)
- (**) Term: **15 Years**
- (21) Appl. No.: **29/647,163**
- (22) Filed: **May 10, 2018**
- (51) **LOC (12) Cl.** **14-02**
- (52) **U.S. Cl.**
USPC **D14/402**
- (58) **Field of Classification Search**
USPC D14/402-411, 356, 388, 389, 383-385,
D14/417, 426; 345/156-167; 463/36-38;
358/471, 473; 273/148 B
CPC G06F 3/03543; G06F 2203/0333; G06F
3/039; G06F 3/038; G06F 2203/0384
See application file for complete search history.

- D396,034 S * 7/1998 Whiteing D14/405
- D410,232 S * 5/1999 Yang D14/405
- 6,377,245 B1 * 4/2002 Park G06F 3/03543
345/163
- D461,188 S * 8/2002 Lo D14/405
- D583,376 S * 12/2008 Snijders D14/405
- D703,206 S * 4/2014 Simmons D14/405
- D710,359 S * 8/2014 Tsai D14/402
- D710,852 S * 8/2014 Tsai D14/402

* cited by examiner

Primary Examiner — Austin Murphy

(74) *Attorney, Agent, or Firm* — Kilpatrick Townsend & Stockton LLP

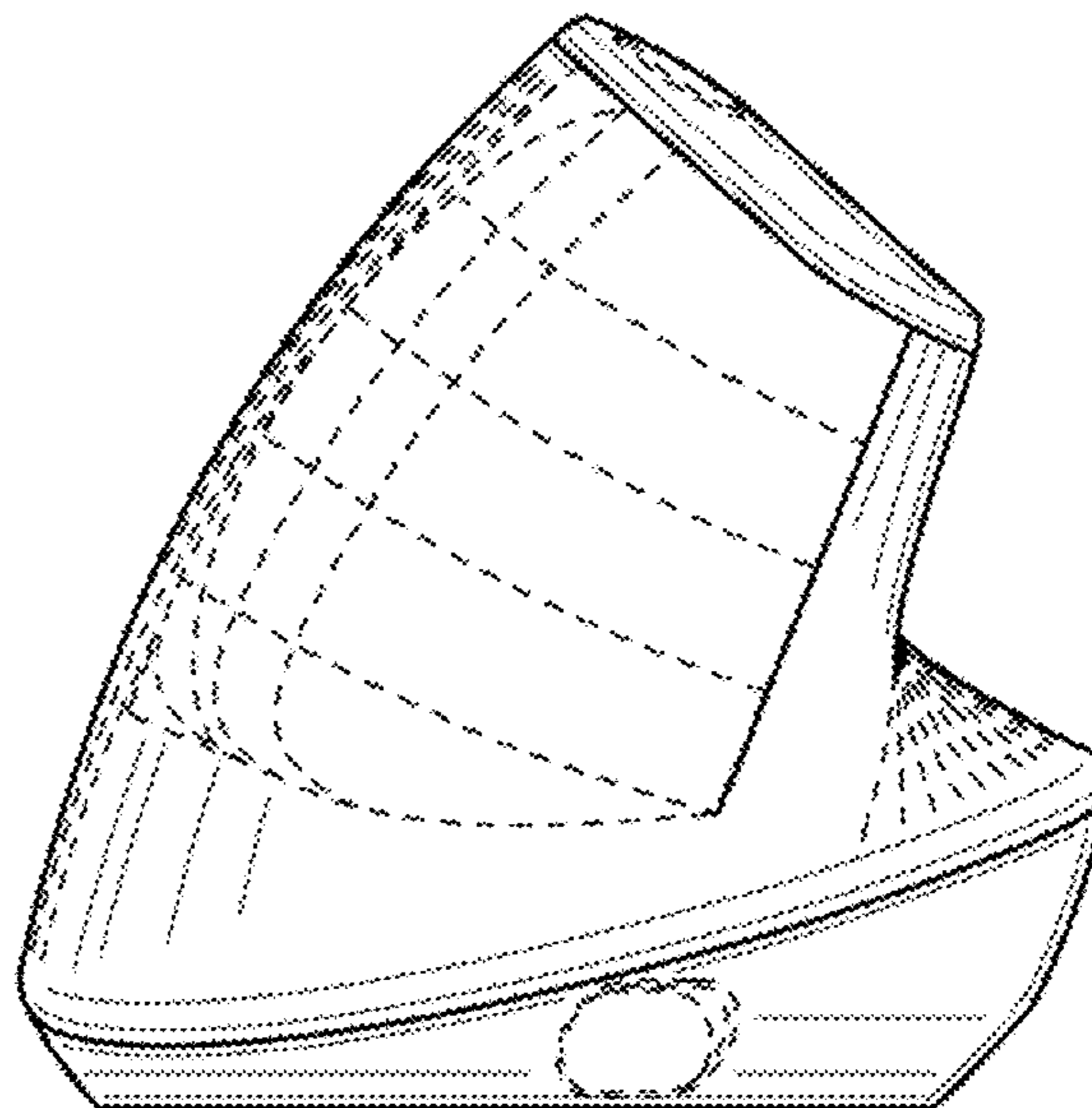
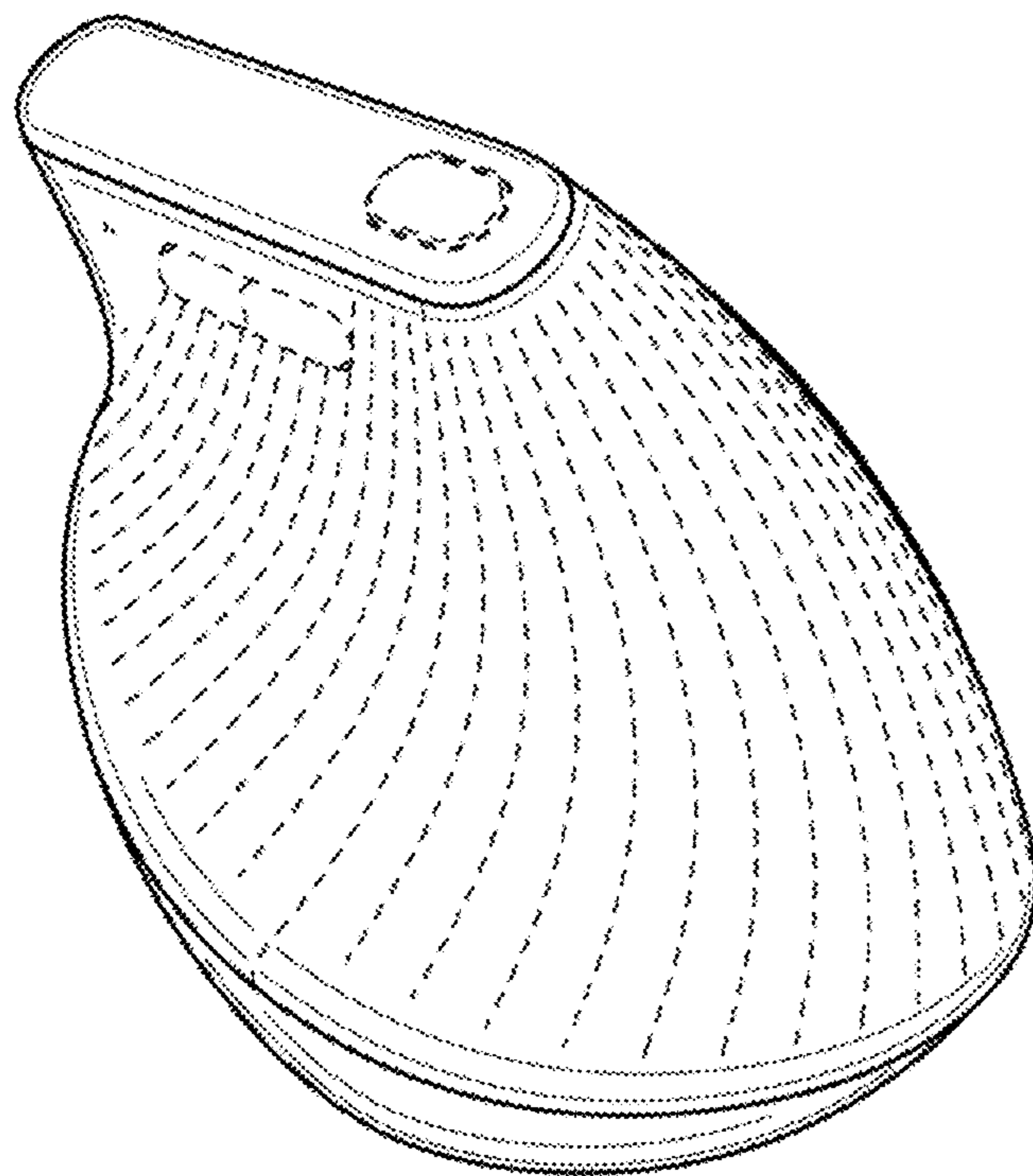
(57) **CLAIM**

the ornamental design for the ergonomic input device, as shown and described.

DESCRIPTION

FIG. 1 is a rear perspective view of a second embodiment of the ergonomic input device showing our new design; FIG. 2 is a top perspective view thereof; FIG. 3 is a bottom perspective view thereof; FIG. 4 is a top plan view thereof; FIG. 5 is a bottom plan view thereof; FIG. 6 is a front elevation view thereof; FIG. 7 is a rear elevation view thereof; FIG. 8 is a left side elevation view thereof; and, FIG. 9 is a right side elevation view thereof. The broken lines shown in the figures form no part of the claimed design.

1 Claim, 5 Drawing Sheets



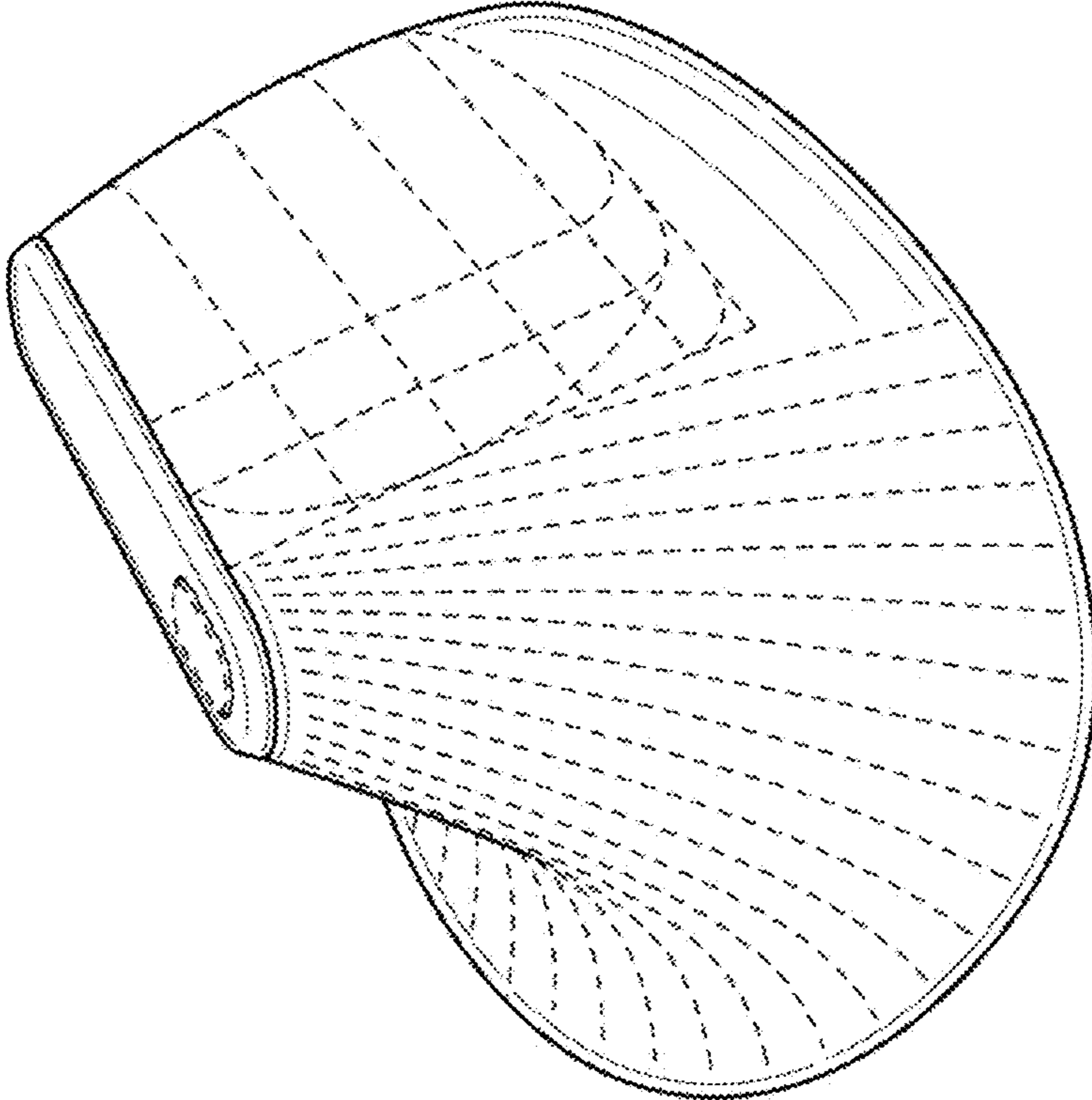


FIG. 1

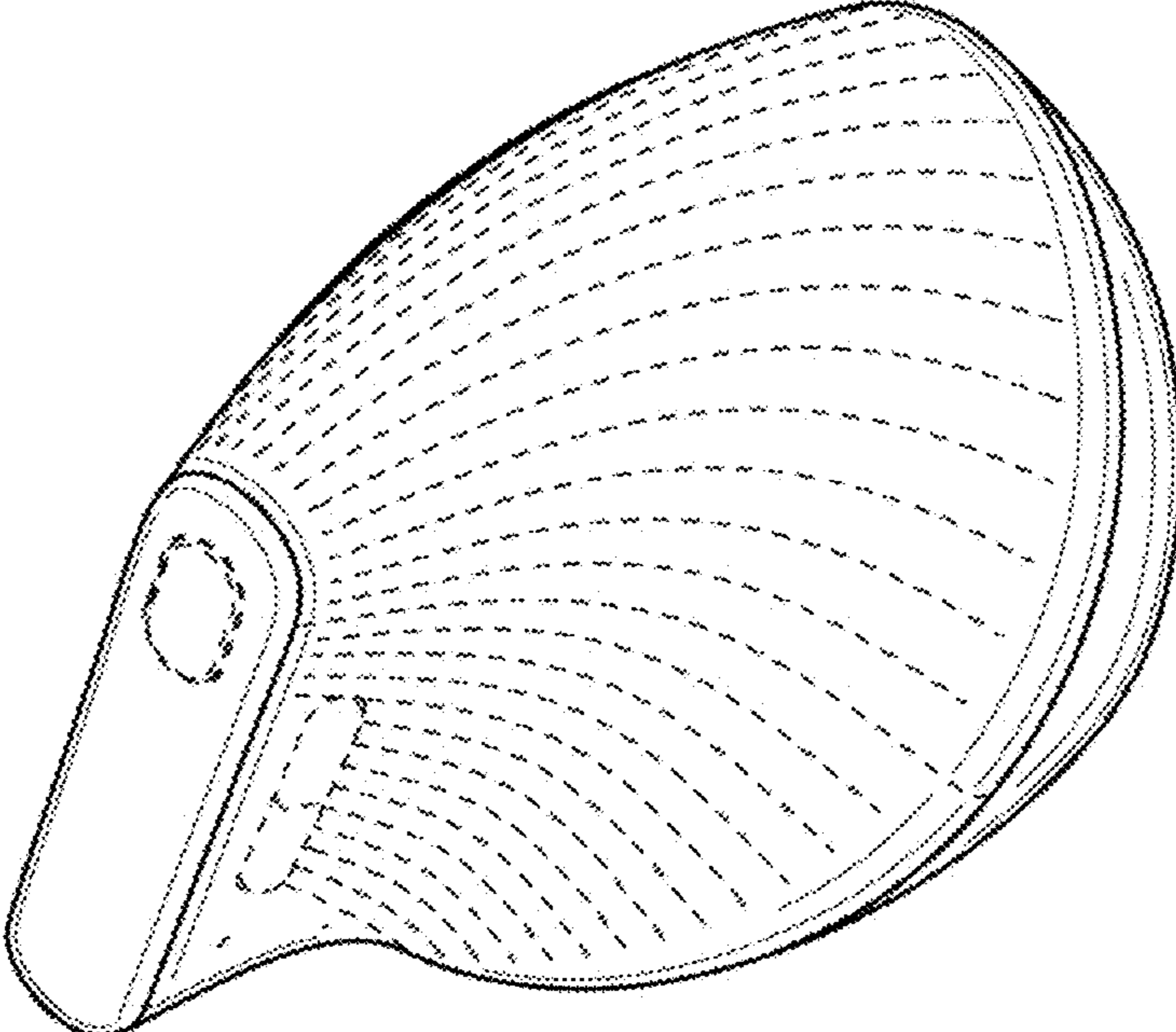


FIG. 2

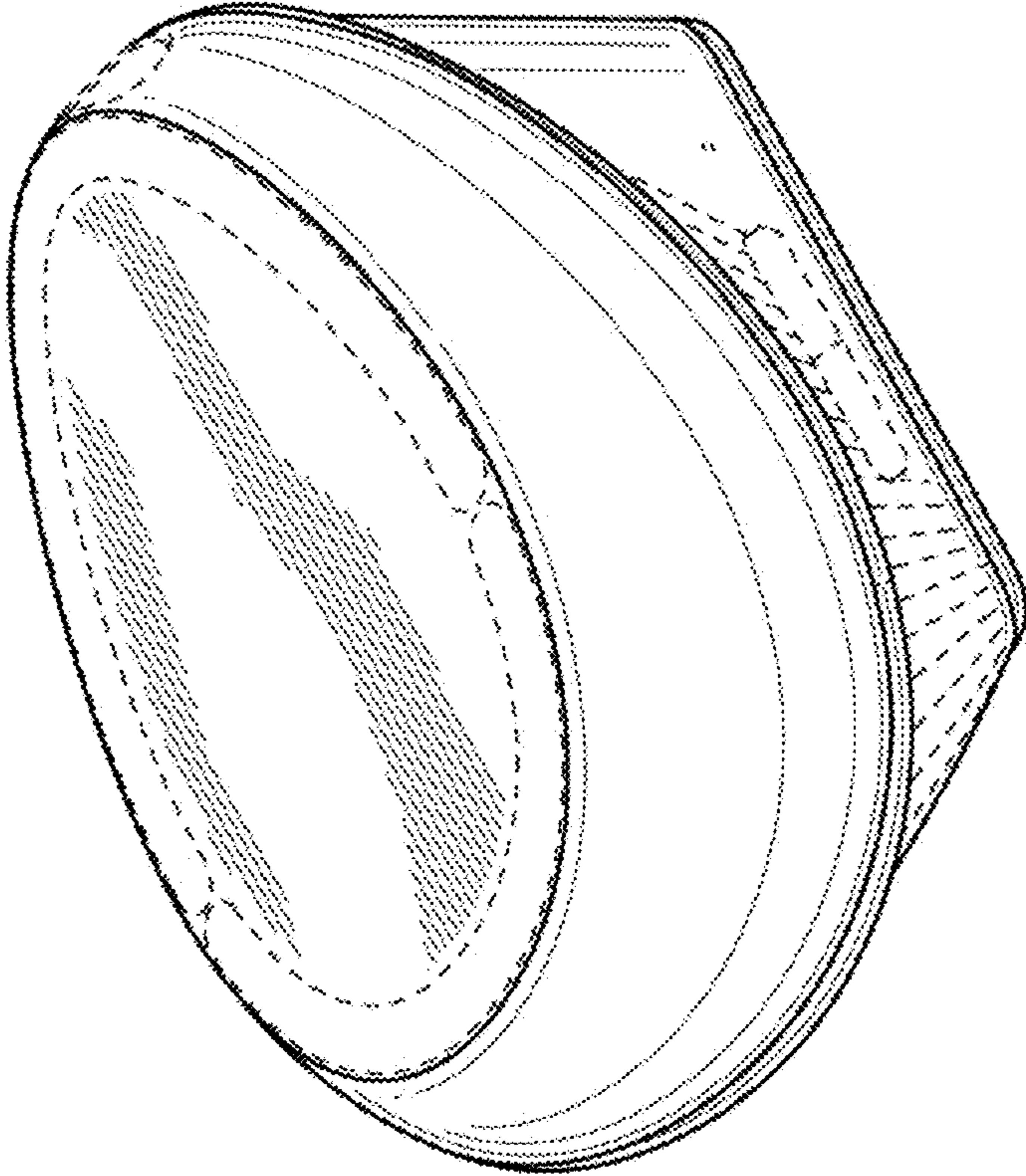


FIG. 3

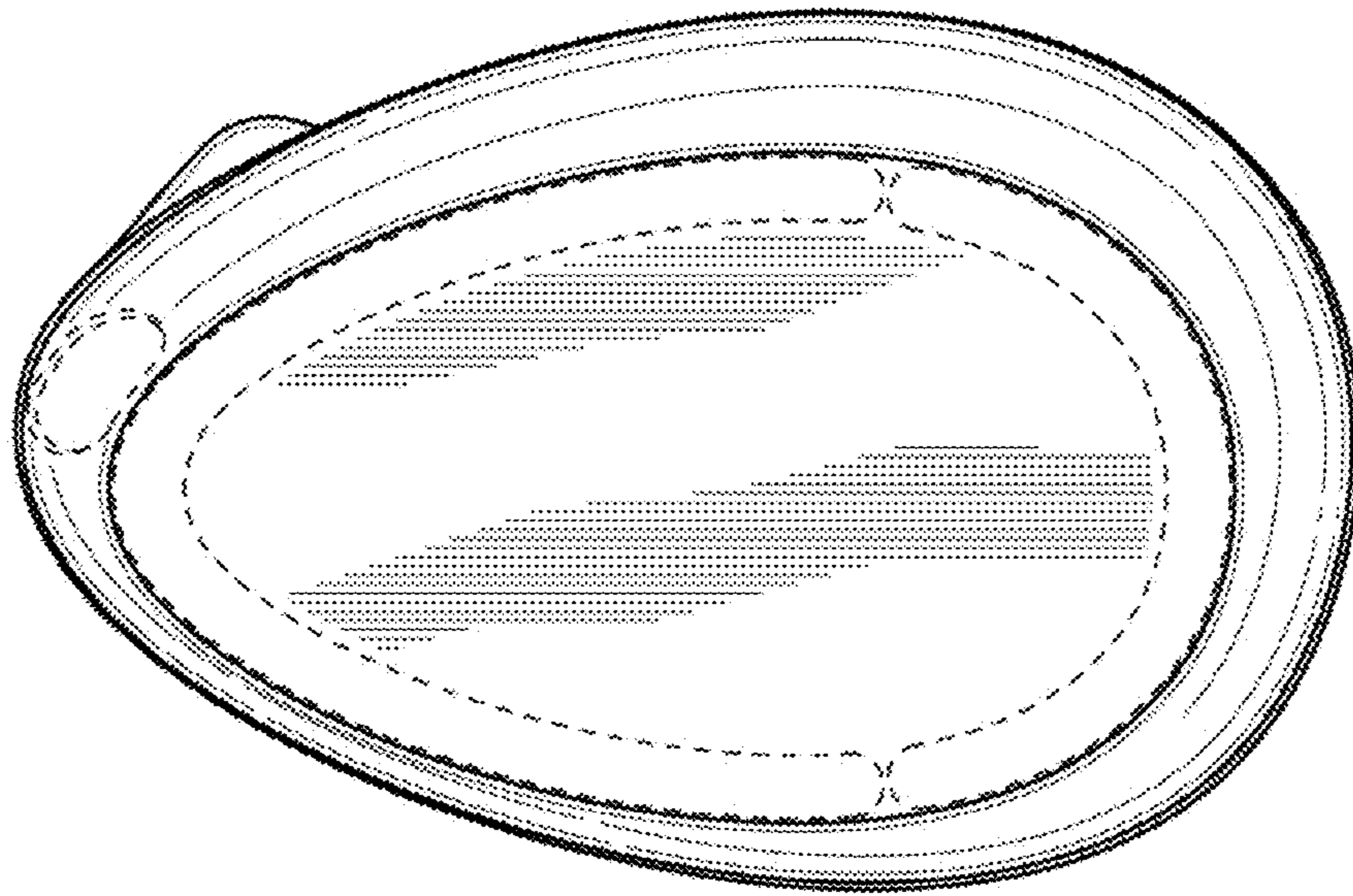


FIG. 5

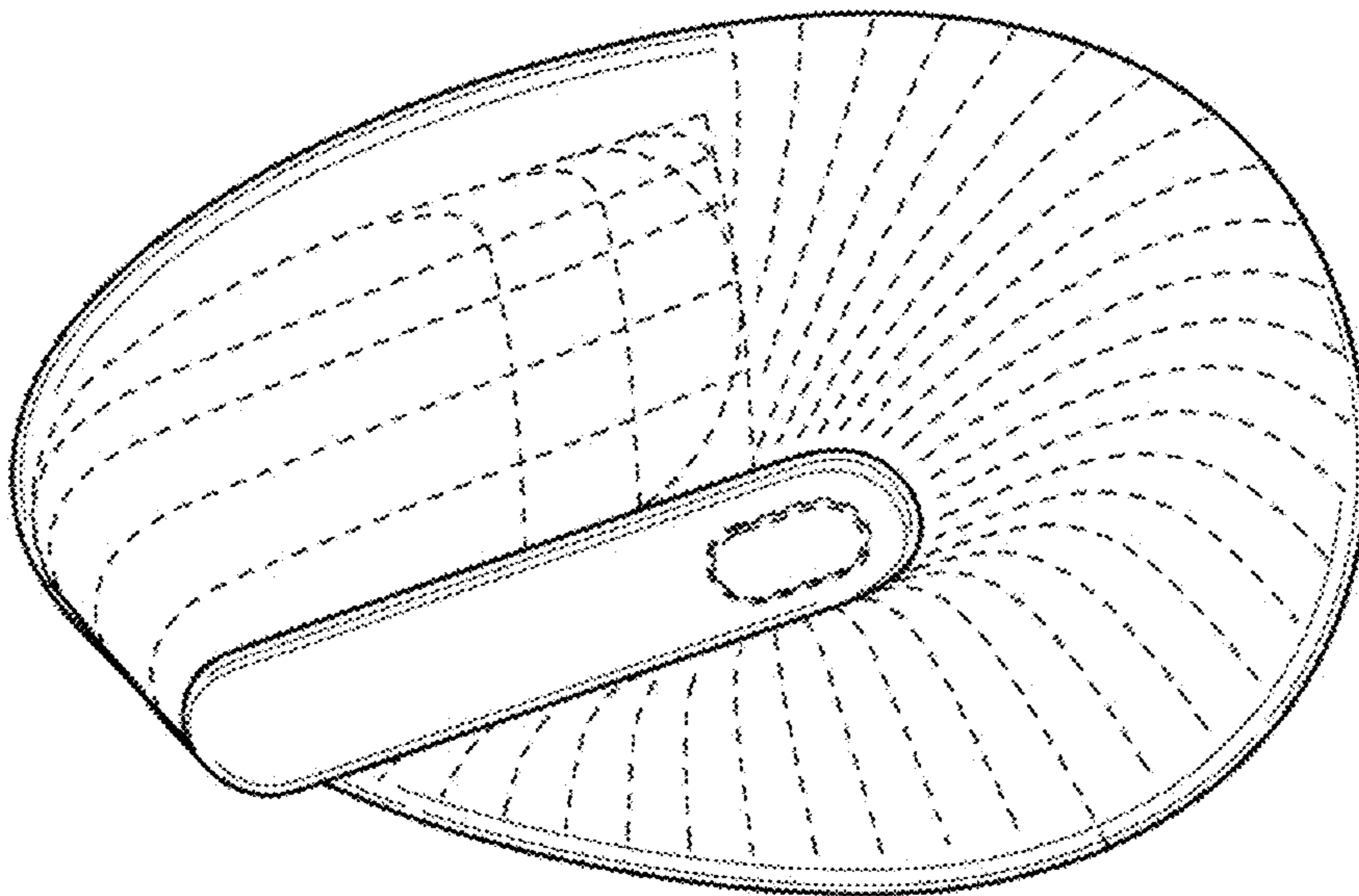


FIG. 4

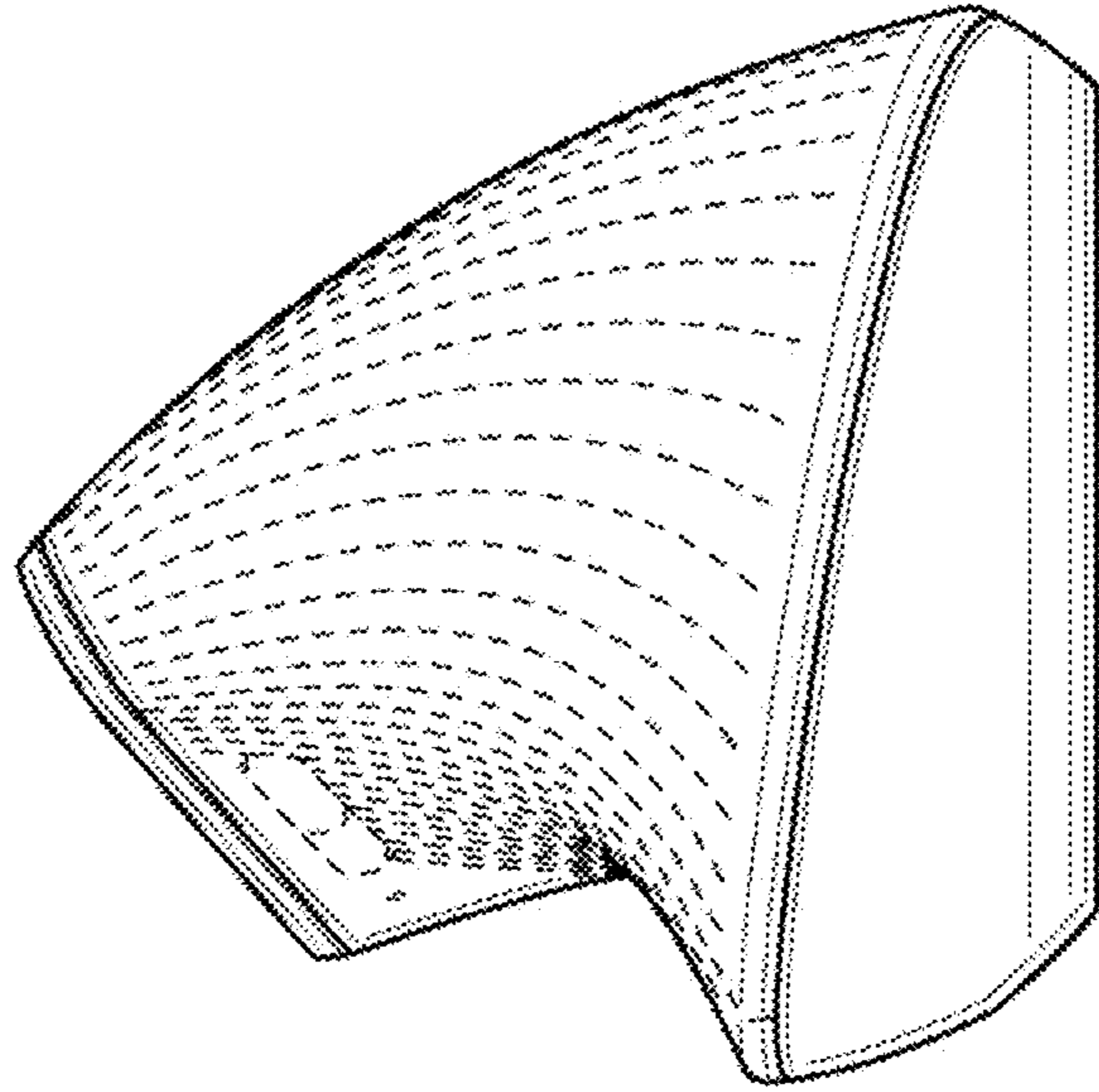


FIG. 7

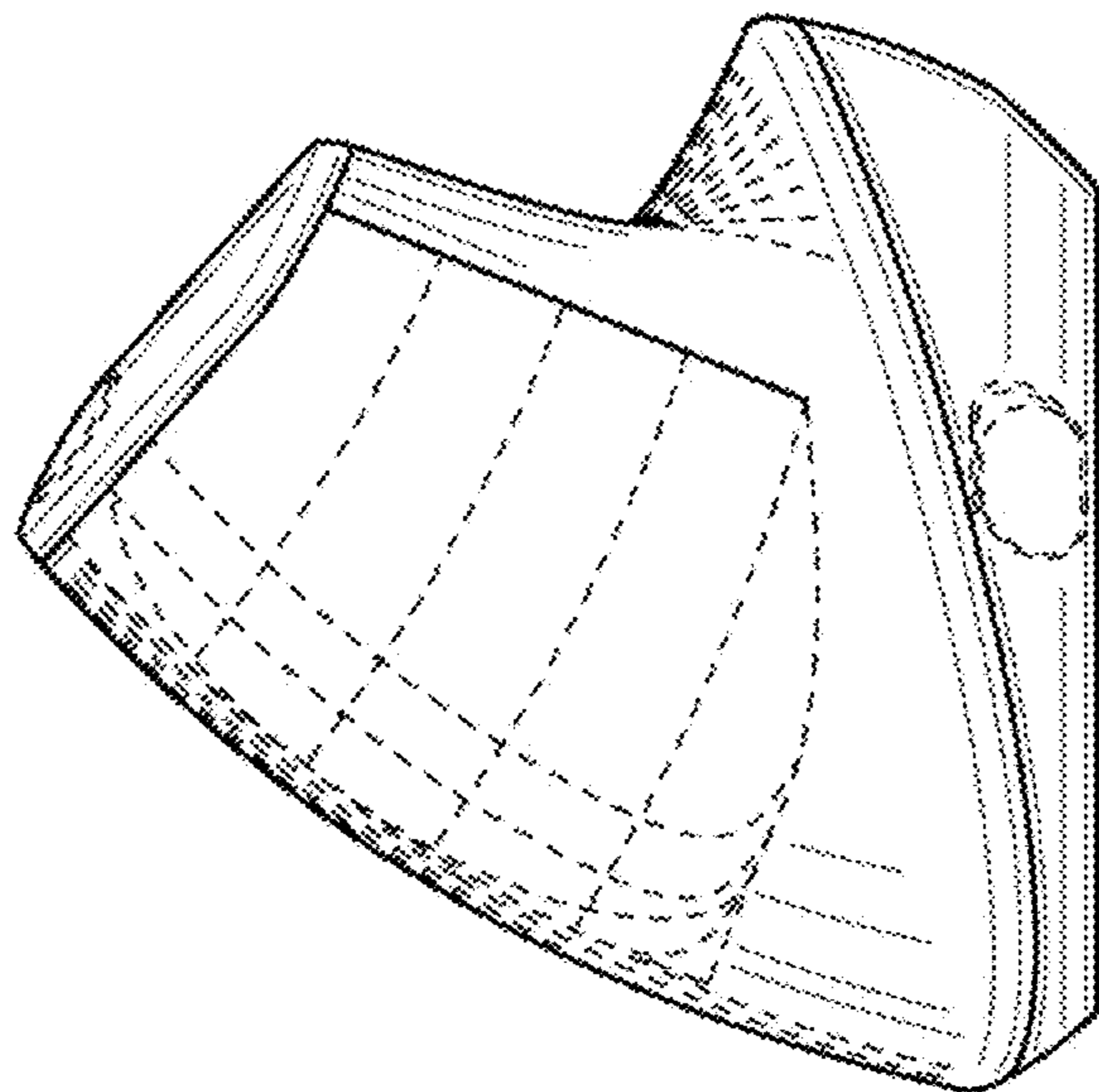


FIG. 6

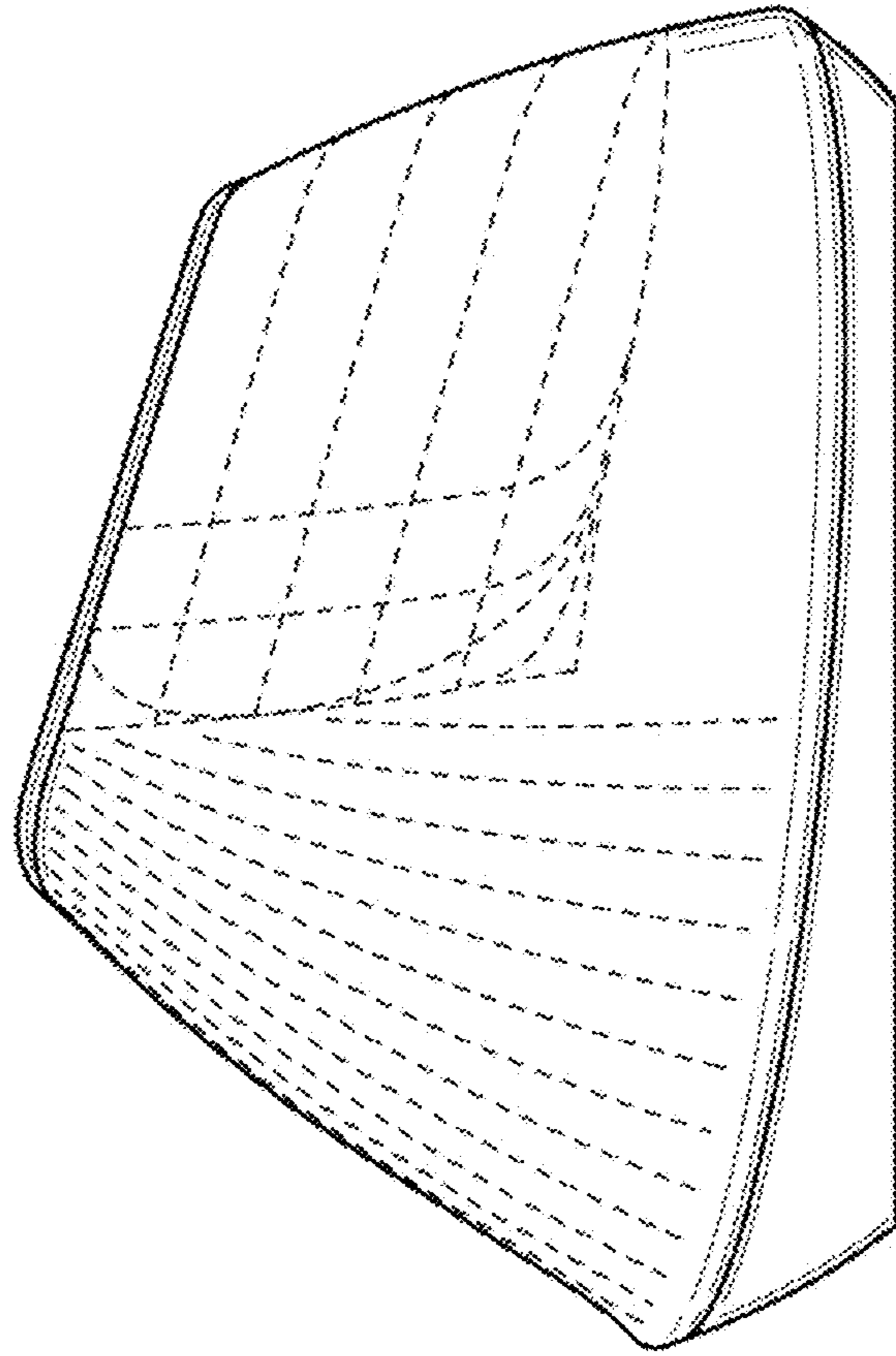


FIG. 9

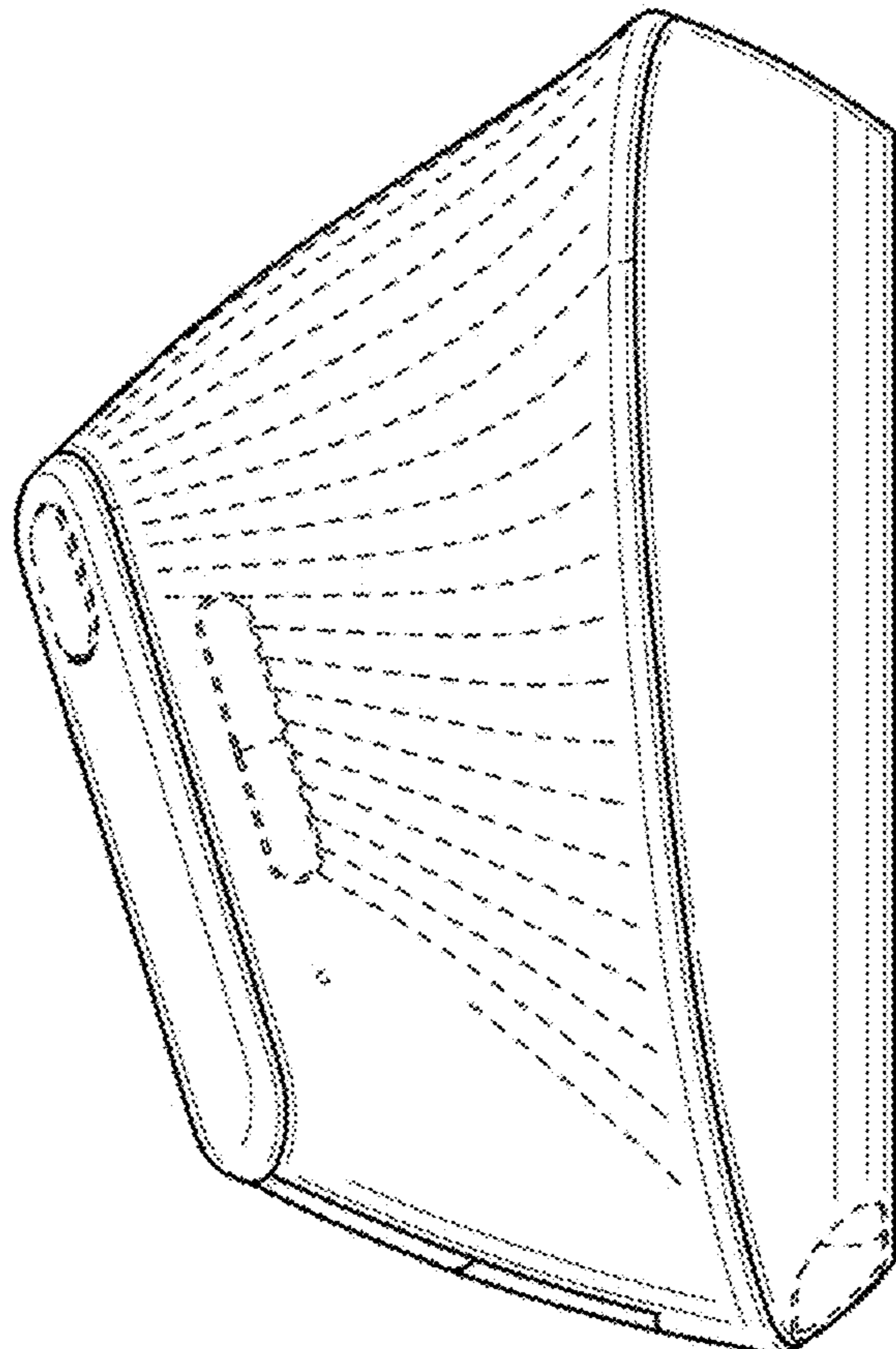


FIG. 8