



US00D882571S

(12) **United States Design Patent**
Tong

(10) **Patent No.:** **US D882,571 S**

(45) **Date of Patent:** **** Apr. 28, 2020**

(54) **KEYBOARD**

6,320,519 B1 * 11/2001 Hsu G06F 3/0238
341/22

(71) Applicant: **RAZER (ASIA-PACIFIC) PTE. LTD.**,
Singapore (SG)

D471,196 S * 3/2003 Goto D14/392
D481,731 S * 11/2003 Goto D14/392

(Continued)

(72) Inventor: **Ien Yu Tong**, Johor (MY)

FOREIGN PATENT DOCUMENTS

(73) Assignee: **RAZER (ASIA-PACIFIC) PTE. LTD.**,
Singapore (SG)

EM 005817269-0001 * 12/2018
EM 005817269-0002 * 12/2018
EM 005817244-0001 * 1/2019

(**) Term: **15 Years**

OTHER PUBLICATIONS

(21) Appl. No.: **29/650,210**

Huntsman Keyboard, Razer, razer.com, author not listed, published on Aug. 26, 2018 per wayback machine © 2019 Razer, online, site visited Oct. 29, 2019. Available at URL: <https://www.razer.com/sg-en/gaming-keyboards-keypads/razer-huntsman> (Year: 2018).*

(Continued)

(22) Filed: **Jun. 5, 2018**

(51) **LOC (12) Cl.** **14-02**

(52) **U.S. Cl.**
USPC **D14/392**

(58) **Field of Classification Search**
USPC D14/315-327, 391-399, 455-457, 247,
D14/346, 203.4, 203.6, 345, 477, 507,
D14/509; D18/1-2, 4.1-4.6, 7, 11;
235/145 A, 145 R; 341/22-23; 345/104,
345/156, 168-169, 173; 361/679.08,
361/679.09, 679.11, 679.26, 679.27;
708/142, 146
CPC B41J 5/00; B41J 5/10; B41J 5/12; F16M
11/10; G06F 3/0219; G06F 3/02
See application file for complete search history.

Primary Examiner — Marissa J Cash
Assistant Examiner — Altaira J Swangin
(74) *Attorney, Agent, or Firm* — Polsinelli PC

(57) **CLAIM**

I claim the ornamental design for a keyboard, as shown and described.

DESCRIPTION

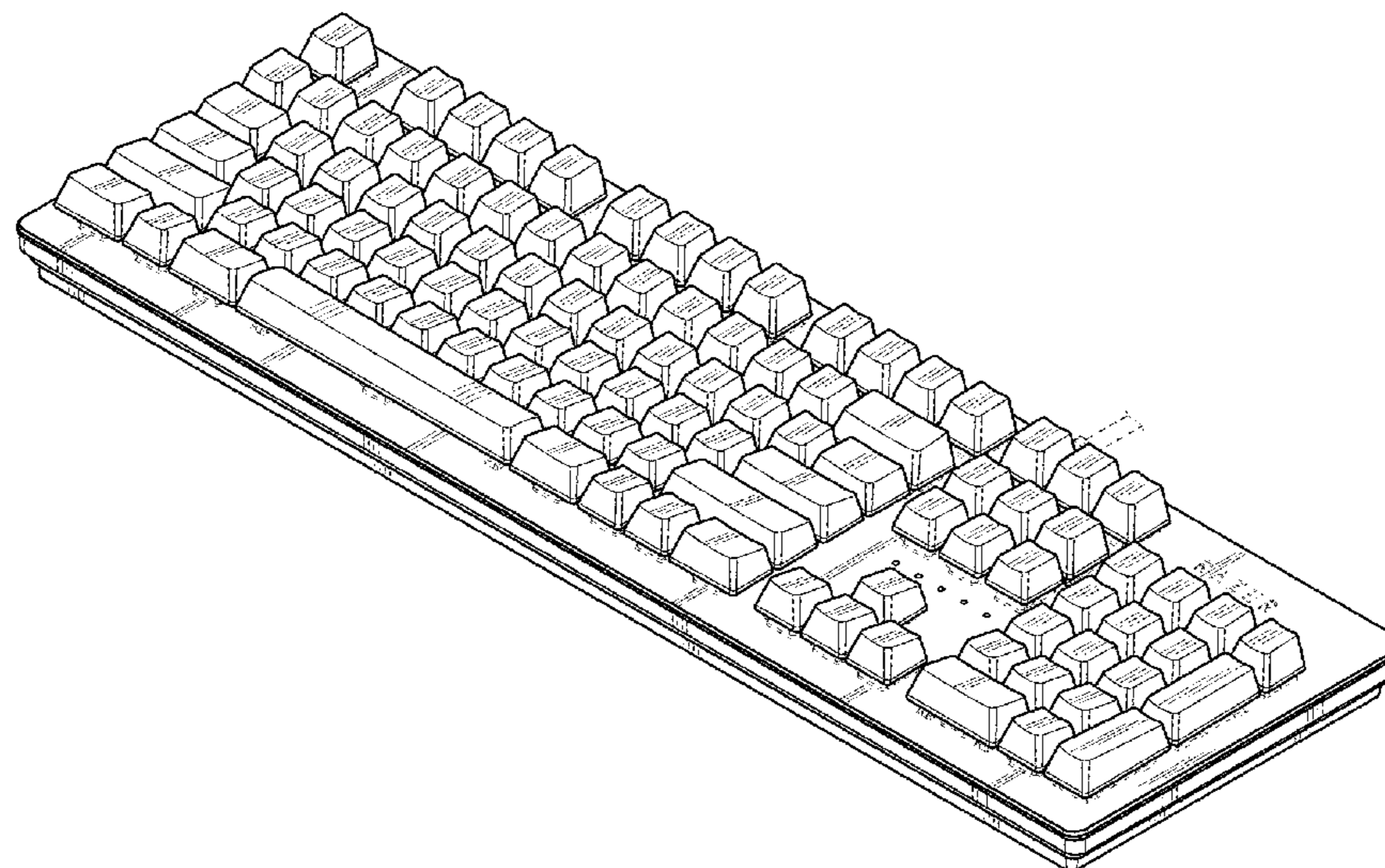
(56) **References Cited**

U.S. PATENT DOCUMENTS

D223,252 S * 4/1972 Jacobson D14/396
D308,200 S * 5/1990 Sottsass D14/398
D324,860 S * 3/1992 Oshima D14/396
D330,199 S * 10/1992 Mendel D14/396
D350,948 S * 9/1994 Smith D14/398
D361,563 S * 8/1995 Tsai D14/396
D373,134 S * 8/1996 Bertram D14/395
5,980,135 A * 11/1999 Shih-Hung H01H 13/702
200/344
6,056,457 A * 5/2000 Chao G06F 3/0202
400/472

FIG. 1 is a perspective view of a keyboard, showing my new design;
FIG. 2 is a top plan view thereof;
FIG. 3 is a bottom plan view thereof;
FIG. 4 is a rear elevational view thereof;
FIG. 5 is a front elevational view thereof;
FIG. 6 is a right side elevational view thereof; and,
FIG. 7 is a left side elevational view thereof.
The broken lines are for illustrating portions of the keyboard which form no part of the claimed design.

1 Claim, 5 Drawing Sheets



(56)

References Cited

U.S. PATENT DOCUMENTS

D482,362 S * 11/2003 Goto D14/392
 7,129,930 B1 * 10/2006 Cathey G06F 3/0202
 345/168
 D534,533 S * 1/2007 Nguyen D14/391
 7,171,498 B2 * 1/2007 Tu G06F 3/0236
 710/73
 D556,758 S * 12/2007 Nguyen D14/391
 D564,512 S * 3/2008 Stanton D14/392
 D607,451 S * 1/2010 Wang D14/392
 7,946,774 B2 * 5/2011 Matias G06F 3/0221
 345/168
 9,417,707 B2 * 8/2016 Ng G06F 3/03543
 D813,236 S * 3/2018 Fine D14/392
 D829,210 S * 9/2018 Buhler D14/392
 10,353,486 B1 * 7/2019 Hamilton G06F 3/023
 10,365,723 B2 * 7/2019 Yao G06F 3/021
 10,365,726 B2 * 7/2019 Yao G06F 3/0202
 2003/0016985 A1 * 1/2003 Patel G06F 3/021
 400/489
 2003/0091377 A1 * 5/2003 Hsu G06F 3/0219
 400/472
 2003/0169187 A1 * 9/2003 Wang G06F 3/023
 341/22
 2003/0189501 A1 * 10/2003 Chen G06F 3/0219
 341/22
 2003/0197627 A1 * 10/2003 Botich G06F 3/0219
 341/22
 2003/0201917 A1 * 10/2003 Wang G06F 3/0489
 341/22
 2007/0065215 A1 * 3/2007 Brown G06F 3/0238
 400/490
 2007/0164879 A1 * 7/2007 Wu G06F 3/0202
 341/22
 2007/0286662 A1 * 12/2007 King G06F 3/0219
 400/489
 2008/0131184 A1 * 6/2008 Brown G06F 3/0238
 400/490
 2008/0138134 A1 * 6/2008 Wilde G06F 1/1613
 400/472

2009/0140891 A1 * 6/2009 Ragusa H01H 13/83
 341/31
 2010/0097245 A1 * 4/2010 Wang G06F 3/021
 341/22
 2010/0302161 A1 * 12/2010 Ng G06F 3/0238
 345/168
 2011/0115651 A1 * 5/2011 Zhou H03K 17/9618
 341/22
 2011/0274475 A1 * 11/2011 Hung G06F 3/0224
 400/484
 2012/0286976 A1 * 11/2012 Chen H01H 13/83
 341/22
 2013/0099945 A1 * 4/2013 Shen G06F 3/0231
 341/22
 2013/0148327 A1 * 6/2013 Huang G06F 3/0202
 362/23.03
 2013/0249715 A1 * 9/2013 Shih H03M 11/02
 341/22
 2015/0042569 A1 * 2/2015 Choi G06F 3/0202
 345/171
 2017/0315621 A1 * 11/2017 Yao G06F 3/023
 2017/0315623 A1 * 11/2017 Yao G06F 3/021
 2019/0317610 A1 * 10/2019 Lo G06F 3/0219
 2019/0391669 A1 * 12/2019 Koeferl H01H 13/70

OTHER PUBLICATIONS

AKB-635UB Easy Touch 635 Keyboard, Adesso, amazon.com, published by Adesso on Jan. 30, 2015 © 1996-2019, Amazon.com, Inc, online, site visited Nov. 14, 2019. Available at URL: <https://www.amazon.com/Adesso-AKB-635UB-Easy-Touch-635/dp/B00SX4X8WW> (Year: 2015).*

Gaming Keyboard, Durgod, amazon.com, published by Durgod on Dec. 18, 2017 © 1996-2019, Amazon.com, Inc, online, site visited Nov. 14, 2019. URL: <https://www.amazon.com/Durgod-Mechanical-Keyboard-Interface-Anti-Ghosting/dp/B078HFTTYK> (Year: 2017).*

Scissor Gaming Keyboard, Cougar Vantar, hardwarecheck.eu, published George Clarkson on May 27, 2017 © 2017 HardwareCheck.eu, online, site visited Nov. 14, 2019. Available at URL: <http://hardwarecheck.eu/ru/peripherals/review-cougar-vantar-scissor-gaming-keyboard/> (Year: 2017).*

* cited by examiner

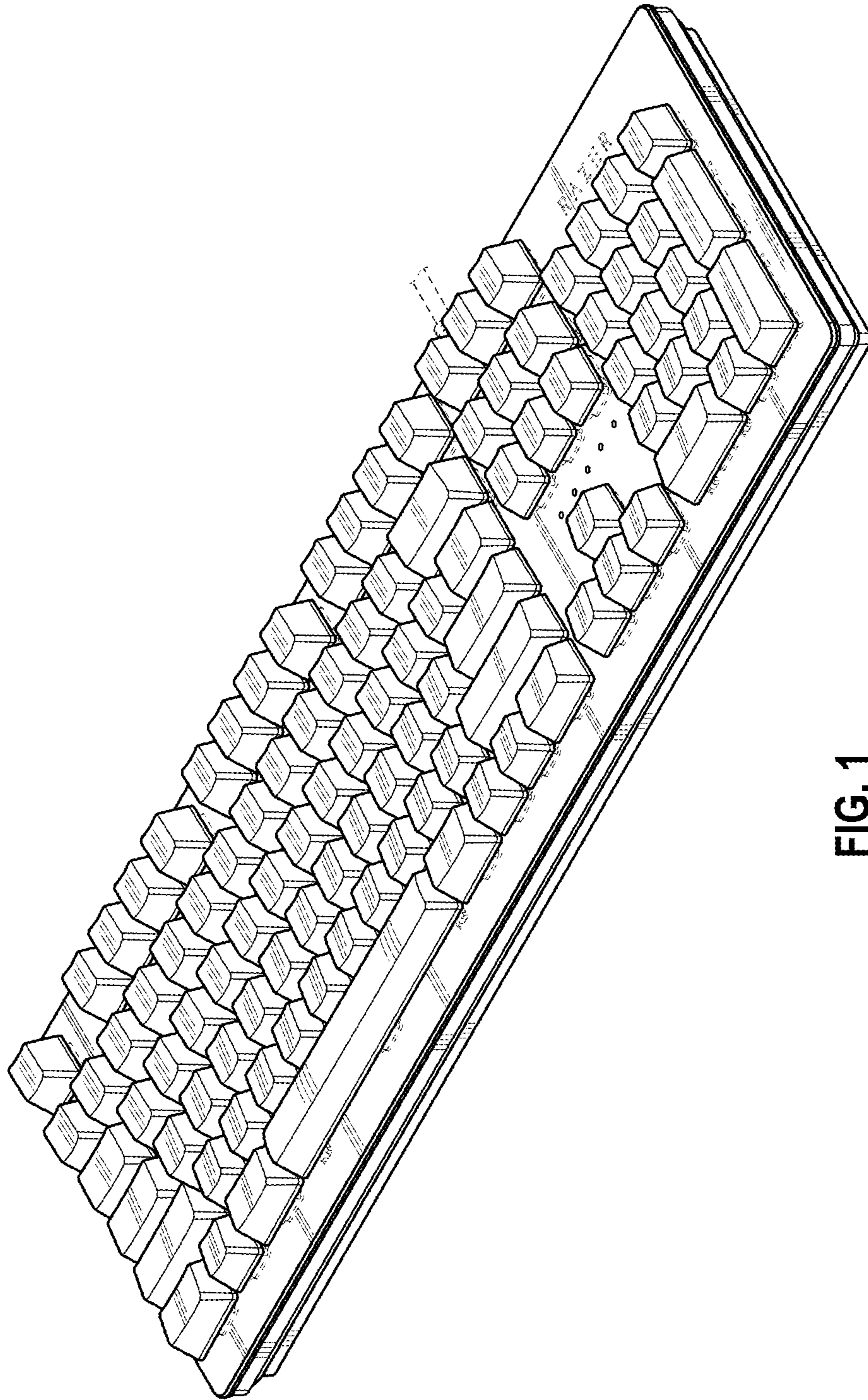


FIG. 1

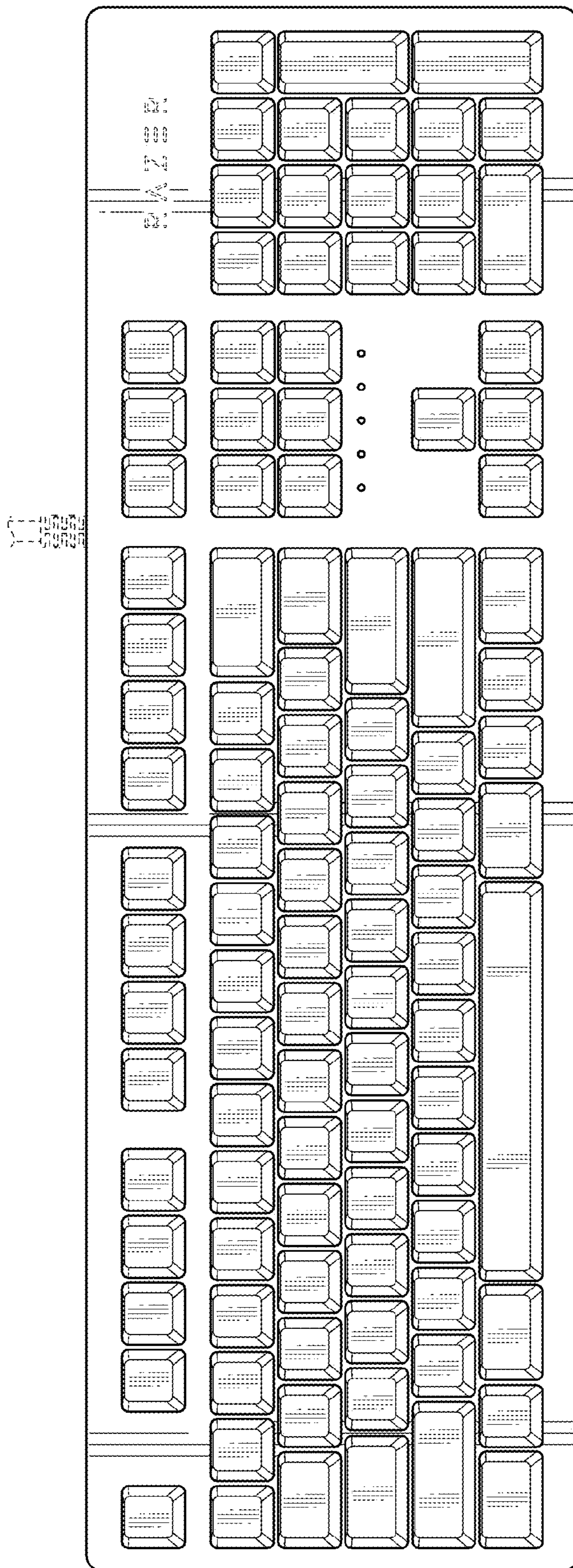


FIG. 2

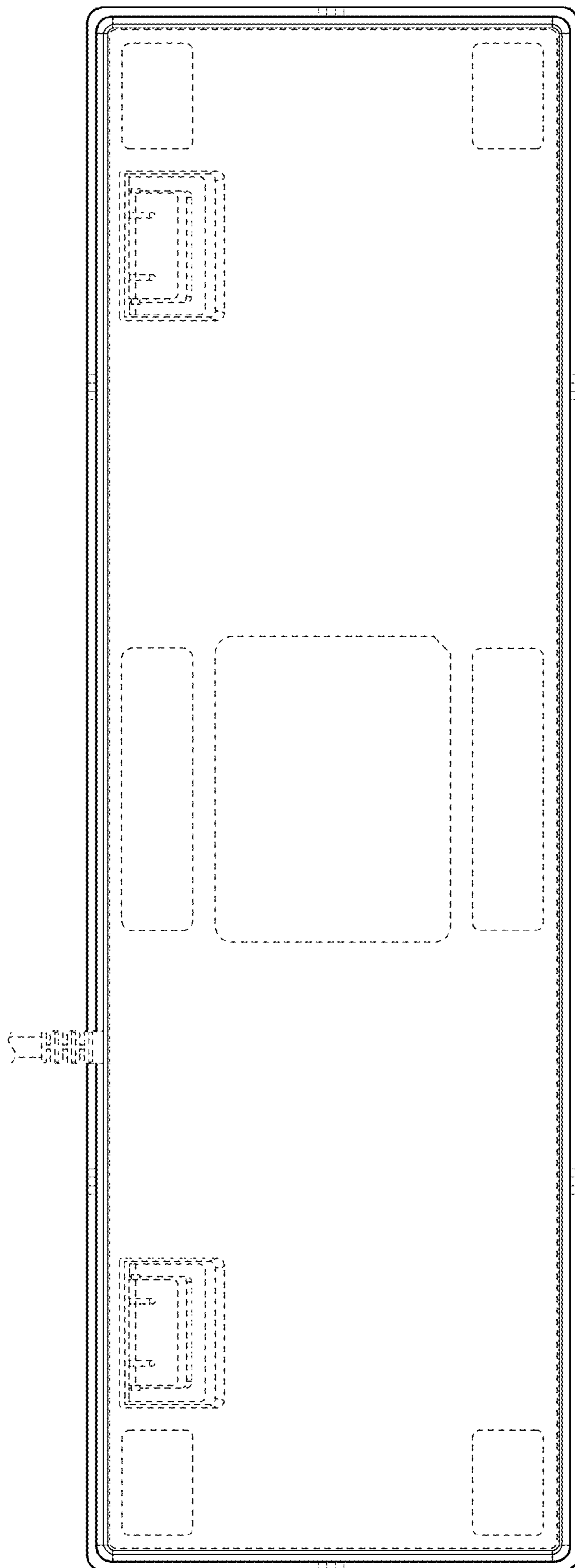


FIG. 3

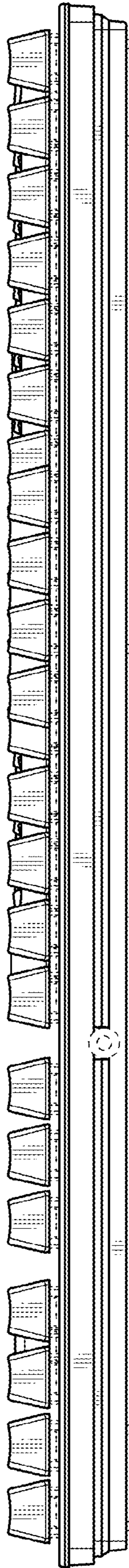


FIG. 4

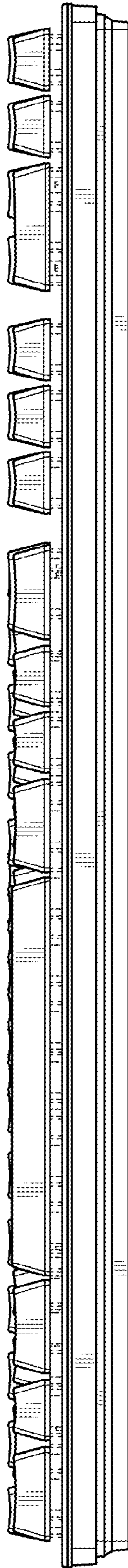


FIG. 5

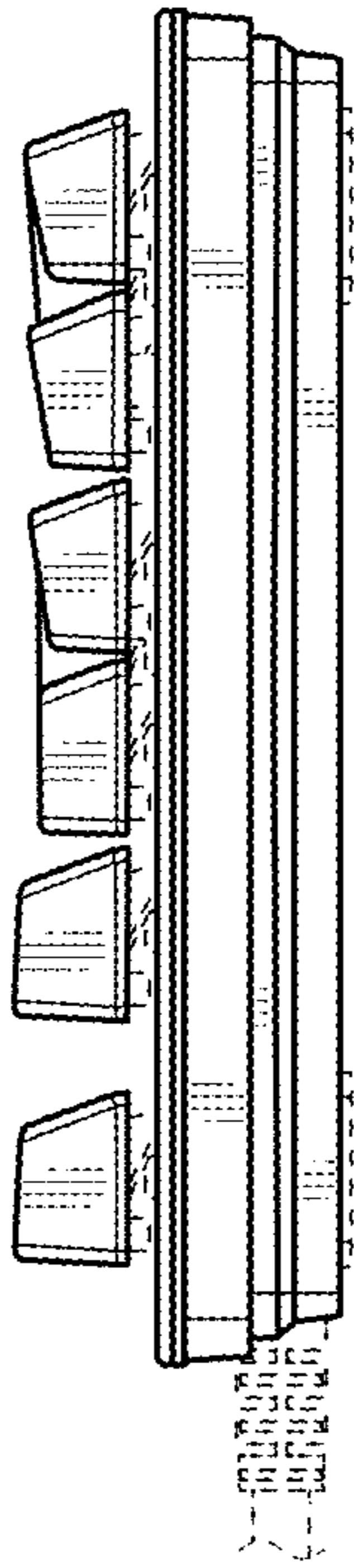


FIG. 6

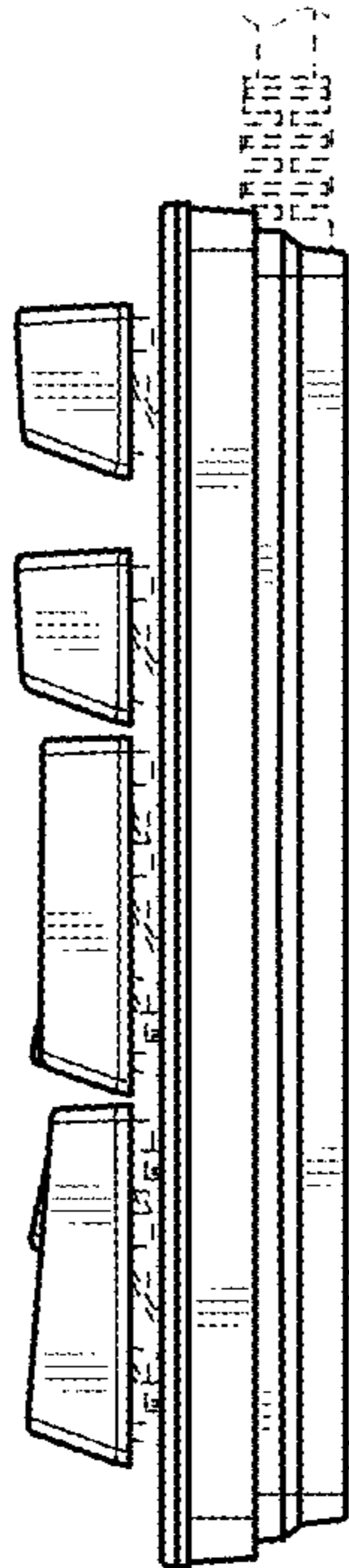


FIG. 7