



(12) **United States Design Patent**  
**Park**

(10) **Patent No.:** **US D882,568 S**  
(45) **Date of Patent:** **\*\* Apr. 28, 2020**

(54) **HEAD MOUNT DISPLAY**

(71) Applicant: **Samsung Electronics Co., Ltd.**,  
Suwon-si (KR)

(72) Inventor: **Junghyun Park**, Seoul (KR)

(73) Assignee: **SAMSUNG ELECTRONICS CO., LTD.**, Gyeonggi-Do (KR)

(\*\*) Term: **15 Years**

(21) Appl. No.: **29/644,031**

(22) Filed: **Apr. 13, 2018**

(30) **Foreign Application Priority Data**

Oct. 16, 2017 (KR) ..... 30-2017-0047890

(51) **LOC (12) Cl.** ..... **14-02**

(52) **U.S. Cl.**  
USPC ..... **D14/372**

(58) **Field of Classification Search**  
USPC ..... D14/372, 496, 432, 371, 125, 126, 129,  
D14/299; D16/300-342; 351/158, 153,  
351/144; 345/7-9, 905; 455/344;  
348/115, 53, 121, 739  
CPC ..... G02B 27/017; G02B 27/0158; G02B  
27/0161; G02B 27/0181; G02B 27/0185;  
G02B 27/0189  
See application file for complete search history.

(56) **References Cited**

**U.S. PATENT DOCUMENTS**

D778,909 S \* 2/2017 Nokuo ..... D14/372  
D785,619 S \* 5/2017 Su ..... D14/372

D807,354 S \* 1/2018 Yee ..... D14/372  
D810,743 S \* 2/2018 Yee ..... D14/372  
D819,634 S \* 6/2018 Pang ..... D14/372  
D819,635 S \* 6/2018 Miller ..... D14/372  
D819,636 S \* 6/2018 Chen ..... D14/372  
D827,642 S \* 9/2018 Liu ..... D14/372  
D834,016 S \* 11/2018 Raffle ..... D14/372  
D860,200 S \* 9/2019 McGinty, Jr. .... D14/372

\* cited by examiner

*Primary Examiner* — Austin Murphy

(74) *Attorney, Agent, or Firm* — Cantor Colburn LLP

(57) **CLAIM**

The ornamental design for a head mount display, as shown and described.

**DESCRIPTION**

FIG. 1 is a front perspective view of a head mount display, showing our new design;  
FIG. 2 is a front view thereof;  
FIG. 3 is a rear view thereof;  
FIG. 4 is a left-side view thereof;  
FIG. 5 is a right-side view thereof;  
FIG. 6 is a top view thereof;  
FIG. 7 is a bottom view thereof; and,  
FIG. 8 is a rear perspective view thereof.  
The broken lines illustrating portions of the head mount display form no part of the claimed design.

**1 Claim, 6 Drawing Sheets**

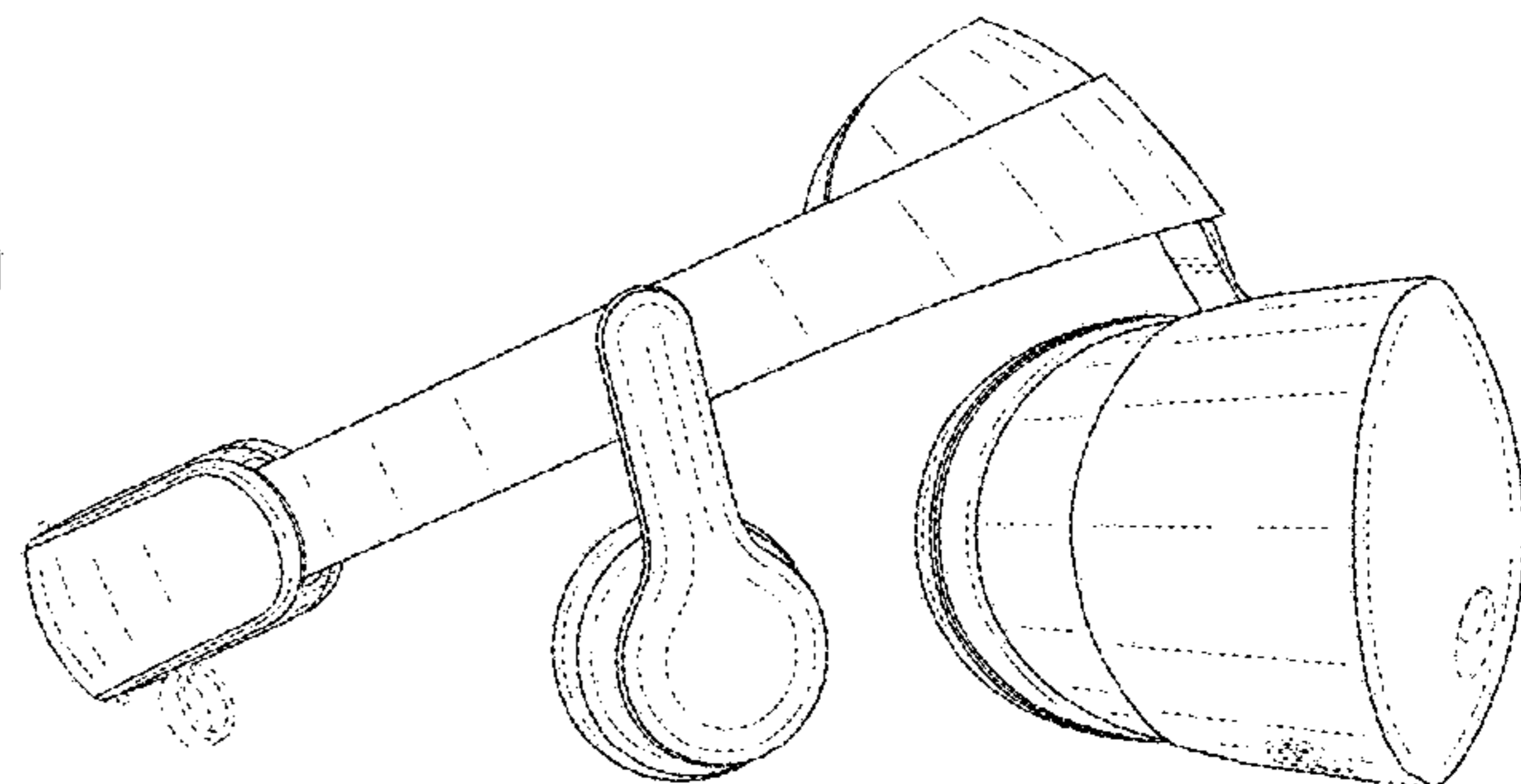
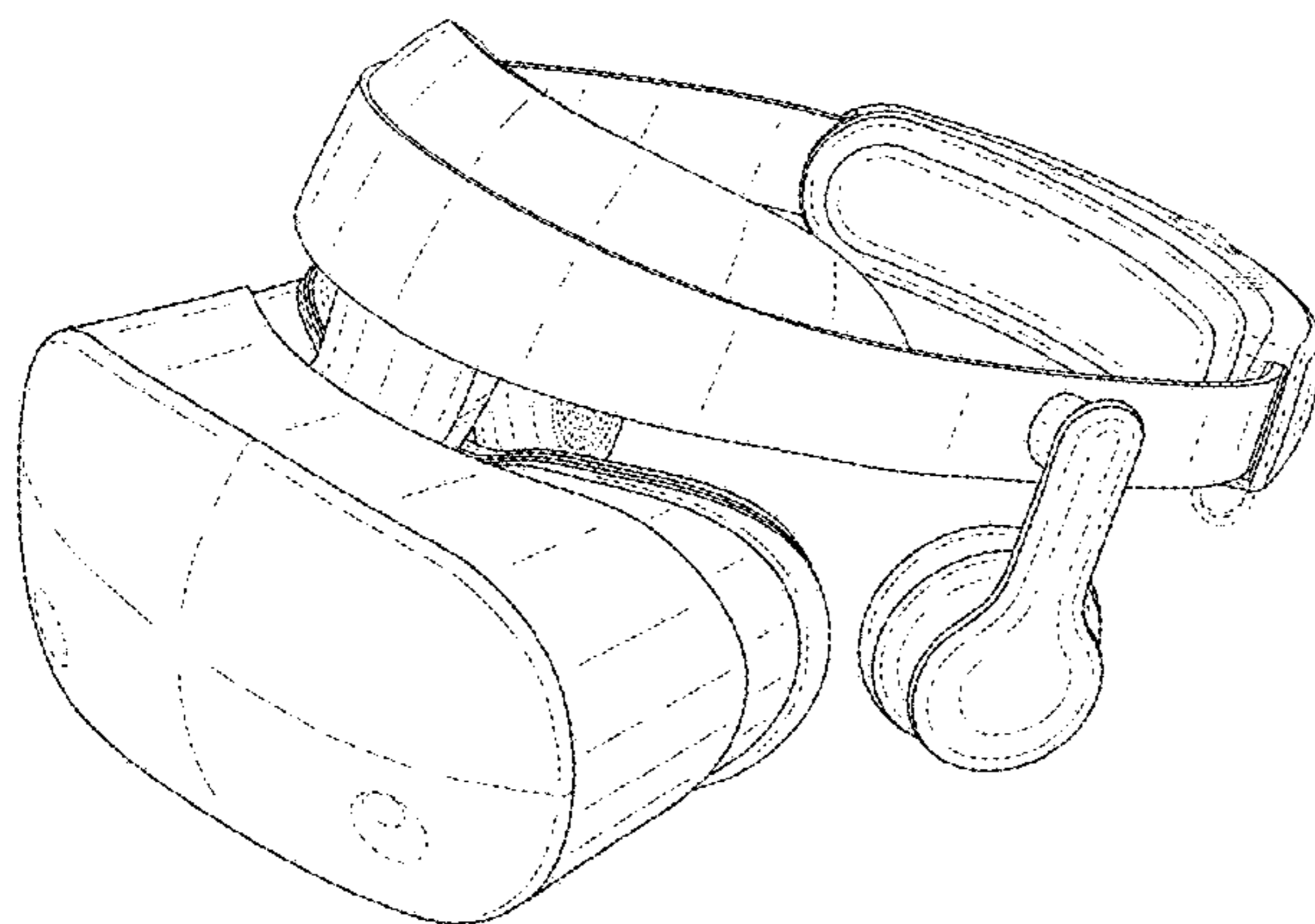


FIG.1

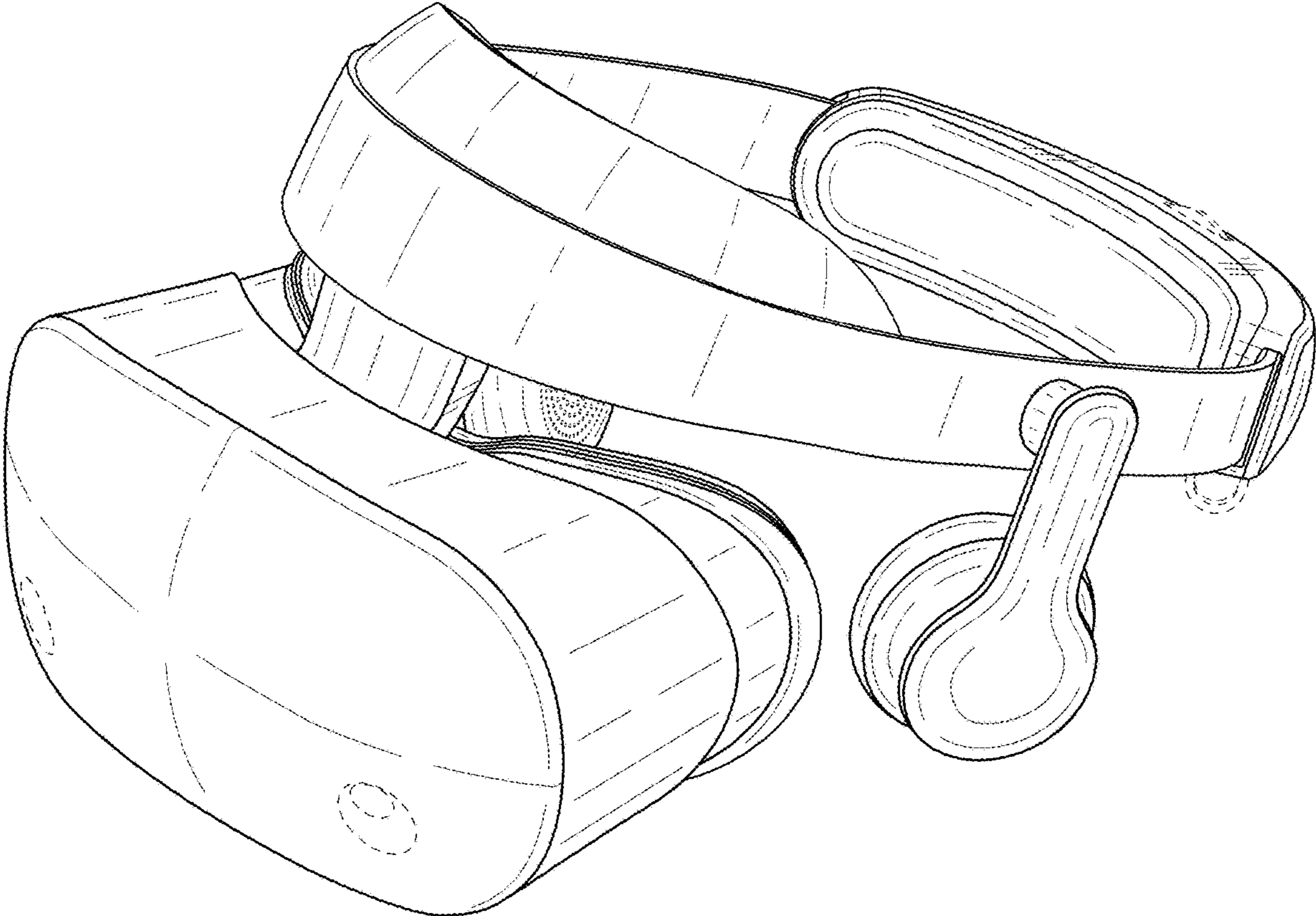


FIG.2

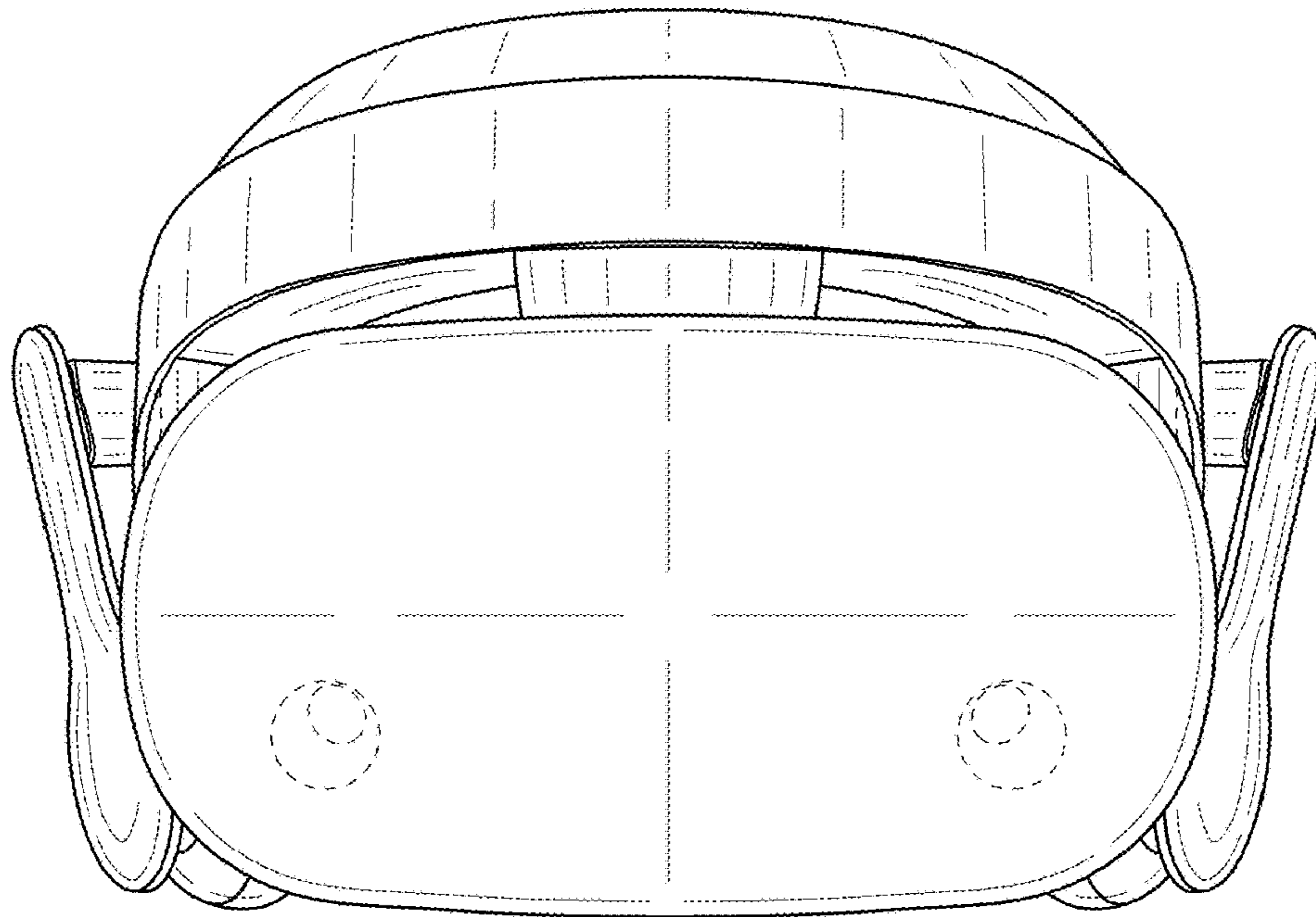


FIG.3

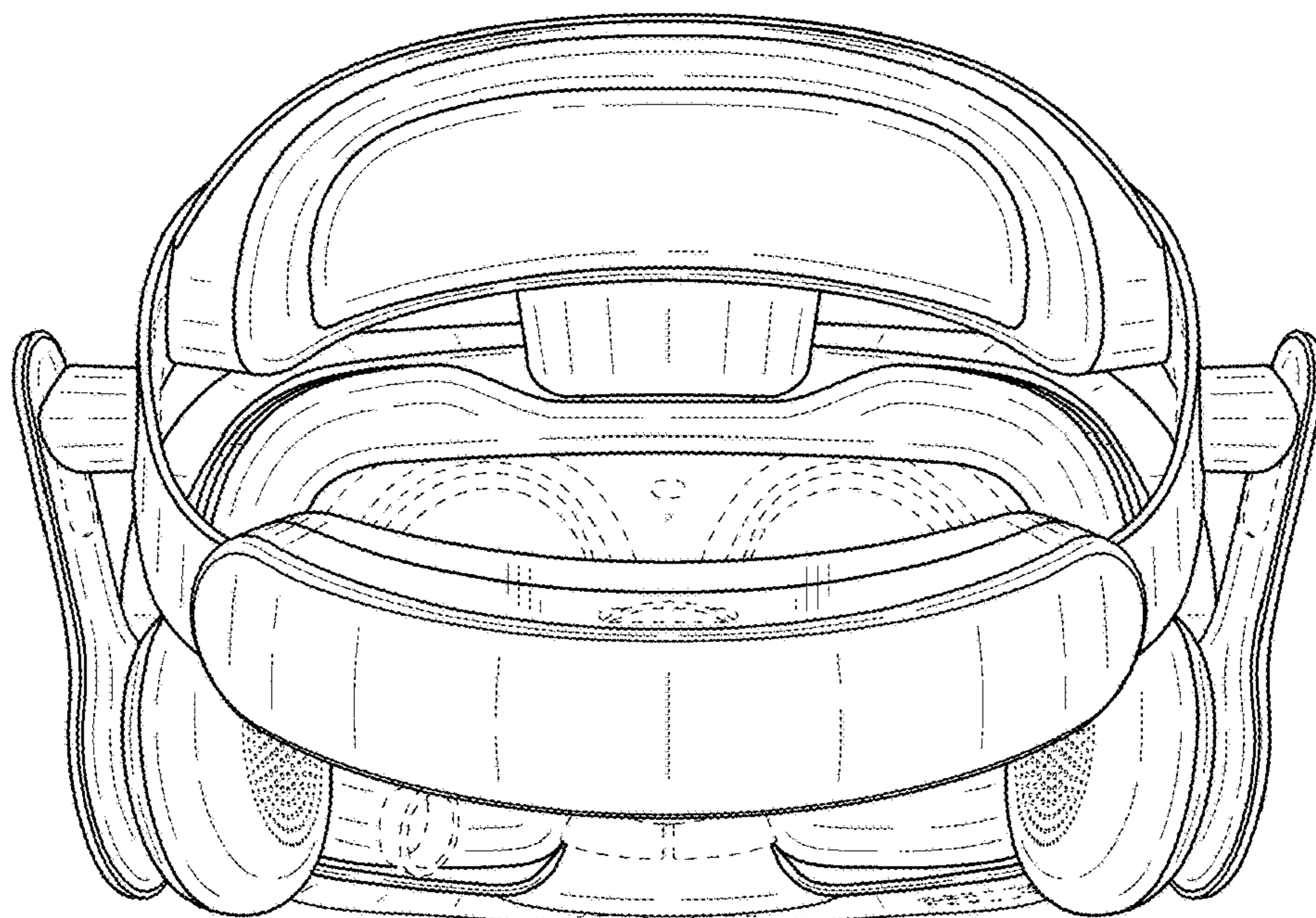


FIG.4

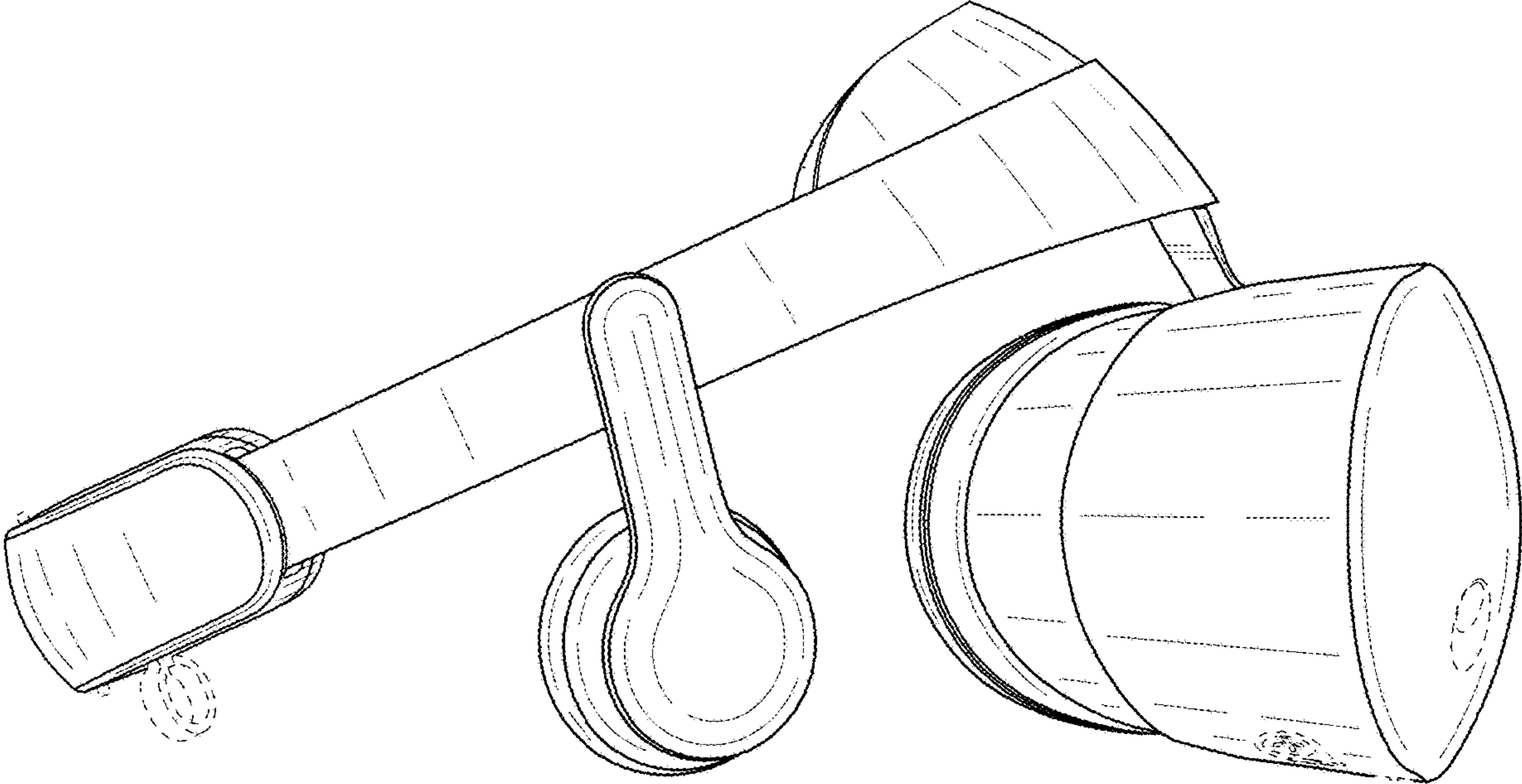


FIG.5

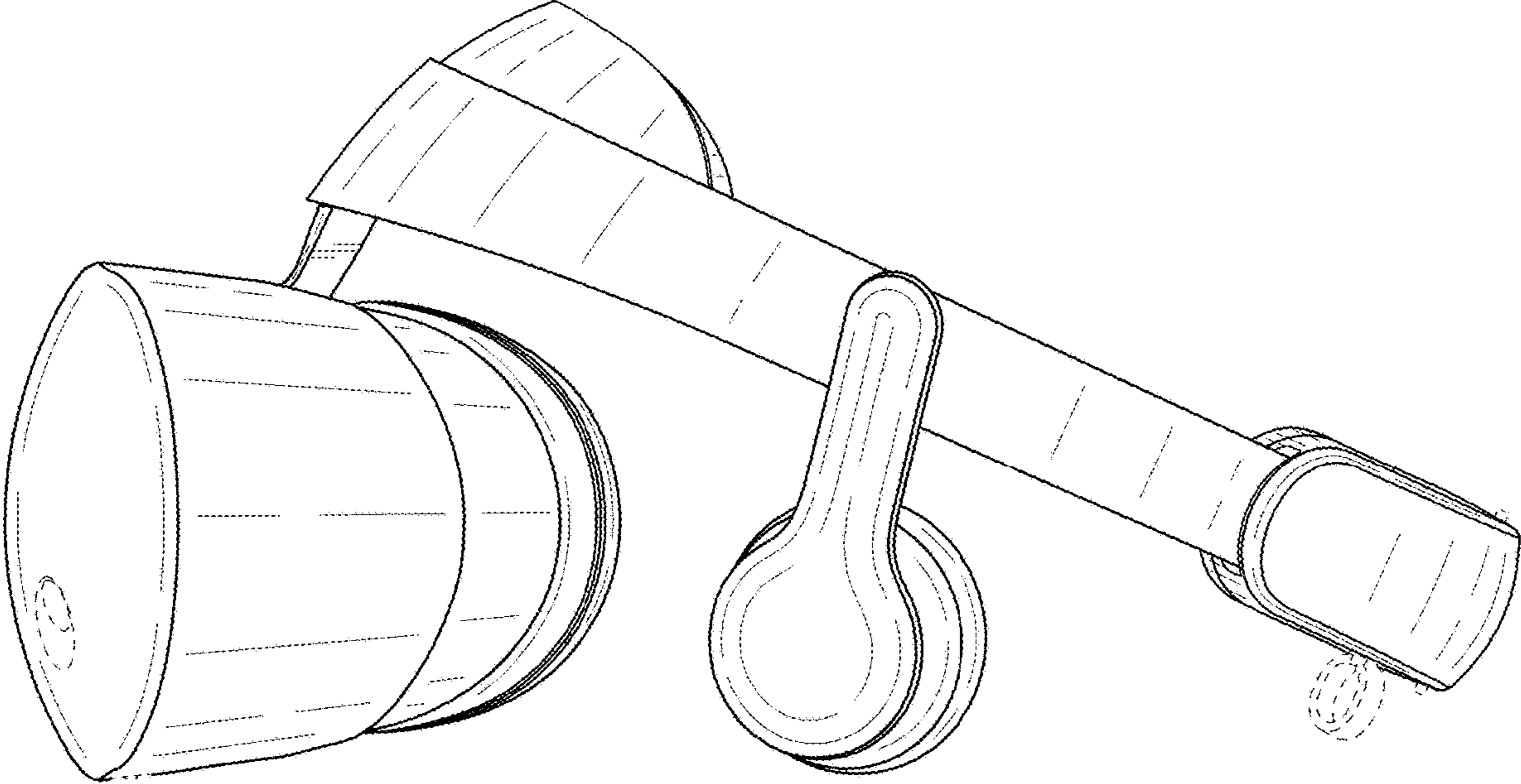


FIG.6

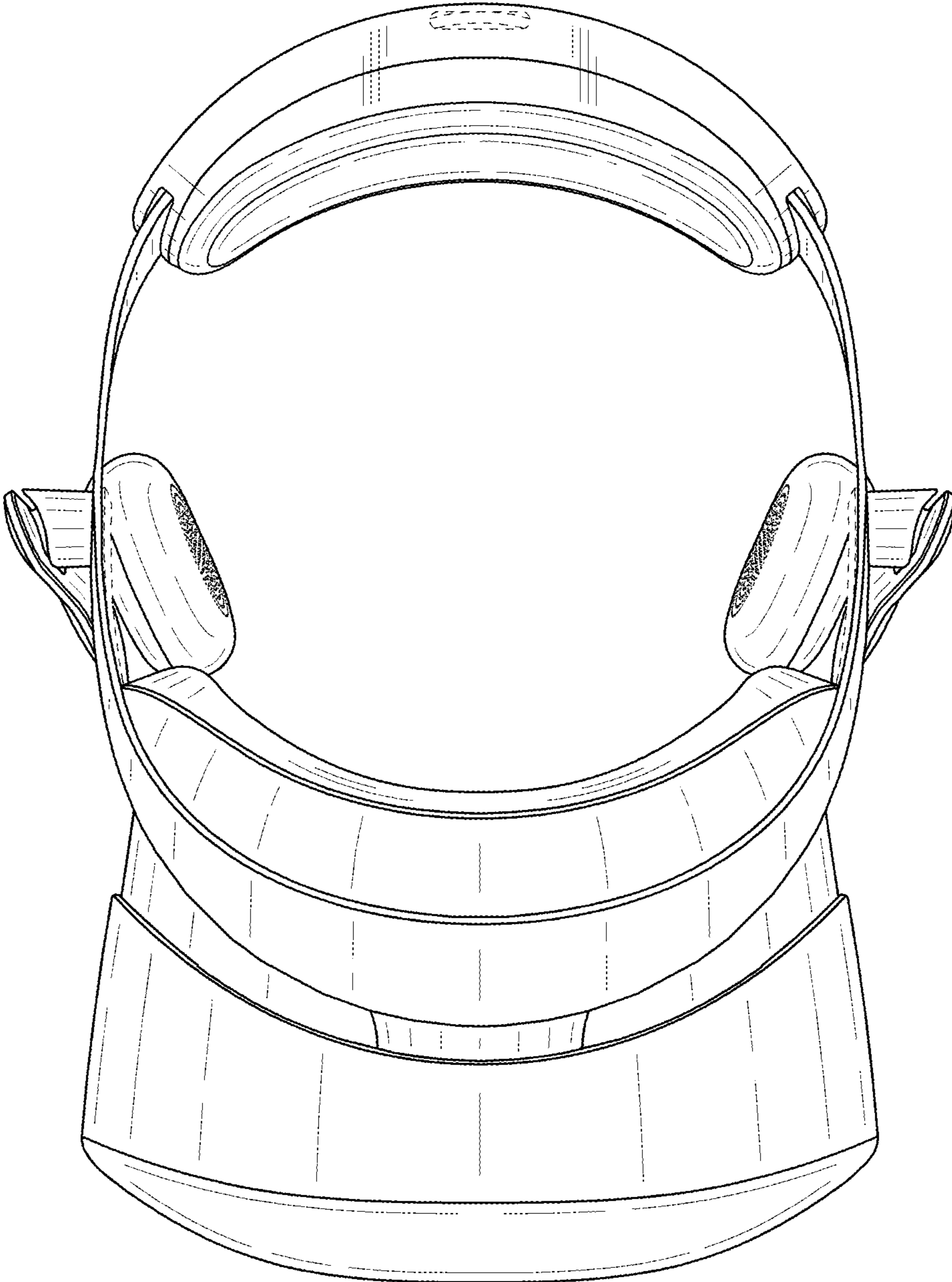


FIG.7

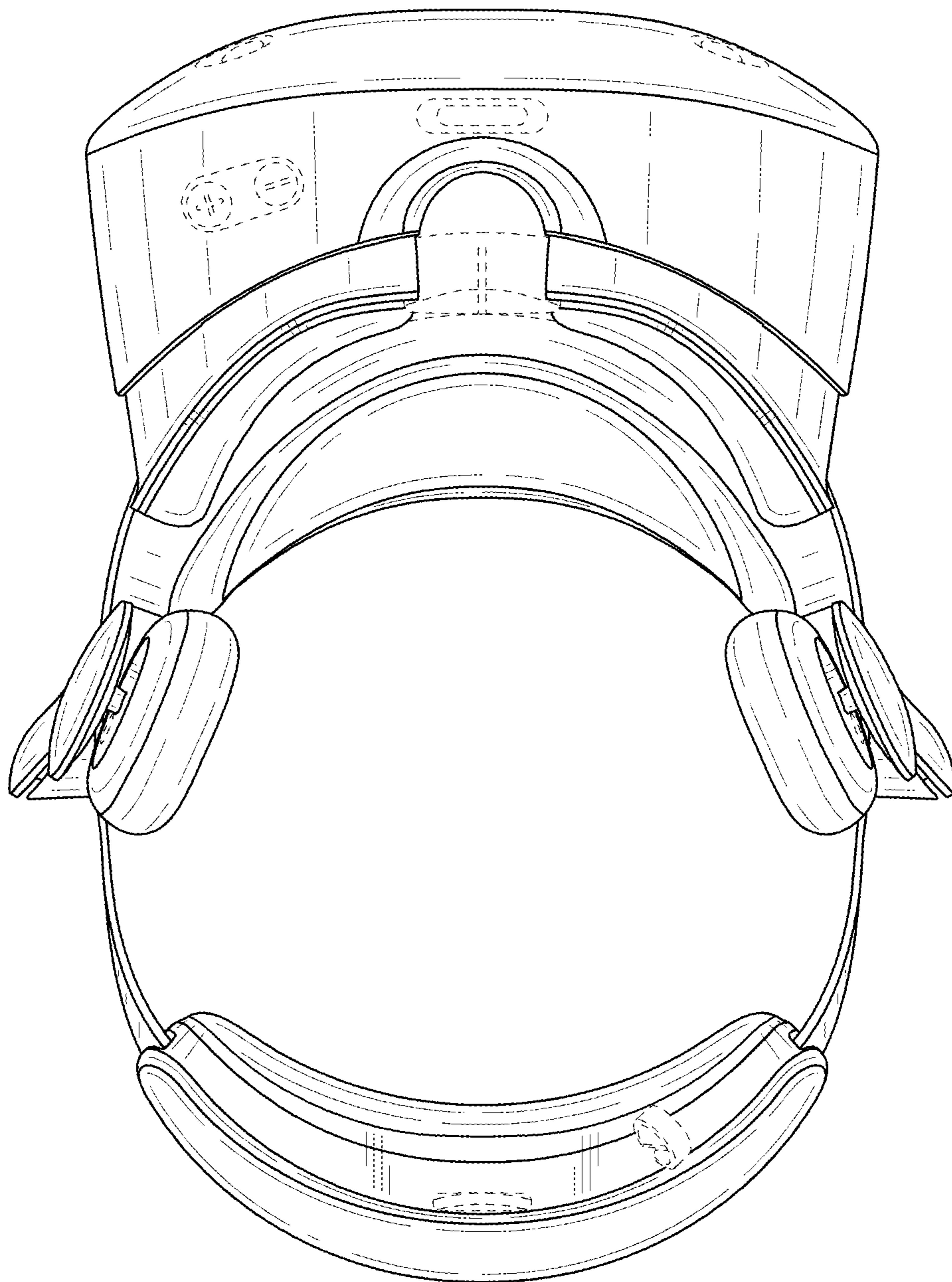


FIG.8

