

US00D882566S

(12) **United States Design Patent** (10) **Patent No.:** **US D882,566 S**
Akana et al. (45) **Date of Patent:** **** Apr. 28, 2020**

(54) **ELECTRONIC DEVICE**

(71) Applicant: **Apple Inc.**, Cupertino, CA (US)

(72) Inventors: **Jody Akana**, San Francisco, CA (US); **Molly Anderson**, San Francisco, CA (US); **Bartley K. Andre**, Palo Alto, CA (US); **Shota Aoyagi**, San Francisco, CA (US); **Anthony Michael Ashcroft**, San Francisco, CA (US); **Marine C. Bataille**, San Francisco, CA (US); **Jeremy Bataillou**, San Francisco, CA (US); **Markus Diebel**, San Francisco, CA (US); **M. Evans Hankey**, San Francisco, CA (US); **Julian Hoenig**, San Francisco, CA (US); **Richard P. Howarth**, San Francisco, CA (US); **Jonathan P. Ive**, San Francisco, CA (US); **Julian Jaede**, San Francisco, CA (US); **Duncan Robert Kerr**, San Francisco, CA (US); **Peter Russell-Clarke**, San Francisco, CA (US); **Benjamin Andrew Shaffer**, San Jose, CA (US); **Mikael Silvanto**, San Francisco, CA (US); **Sung-Ho Tan**, San Francisco, CA (US); **Clement Tissandier**, San Francisco, CA (US); **Eugene Antony Whang**, San Francisco, CA (US); **Rico Zörkendörfer**, San Francisco, CA (US)

(73) Assignee: **Apple Inc.**, Cupertino, CA (US)

(**) Term: **15 Years**

(21) Appl. No.: **29/684,821**

(22) Filed: **Mar. 25, 2019**

Related U.S. Application Data

(63) Continuation of application No. 29/654,754, filed on Jun. 27, 2018.

(51) **LOC (12) Cl.** **14-02**

(52) **U.S. Cl.**

USPC **D14/344**

(58) **Field of Classification Search**

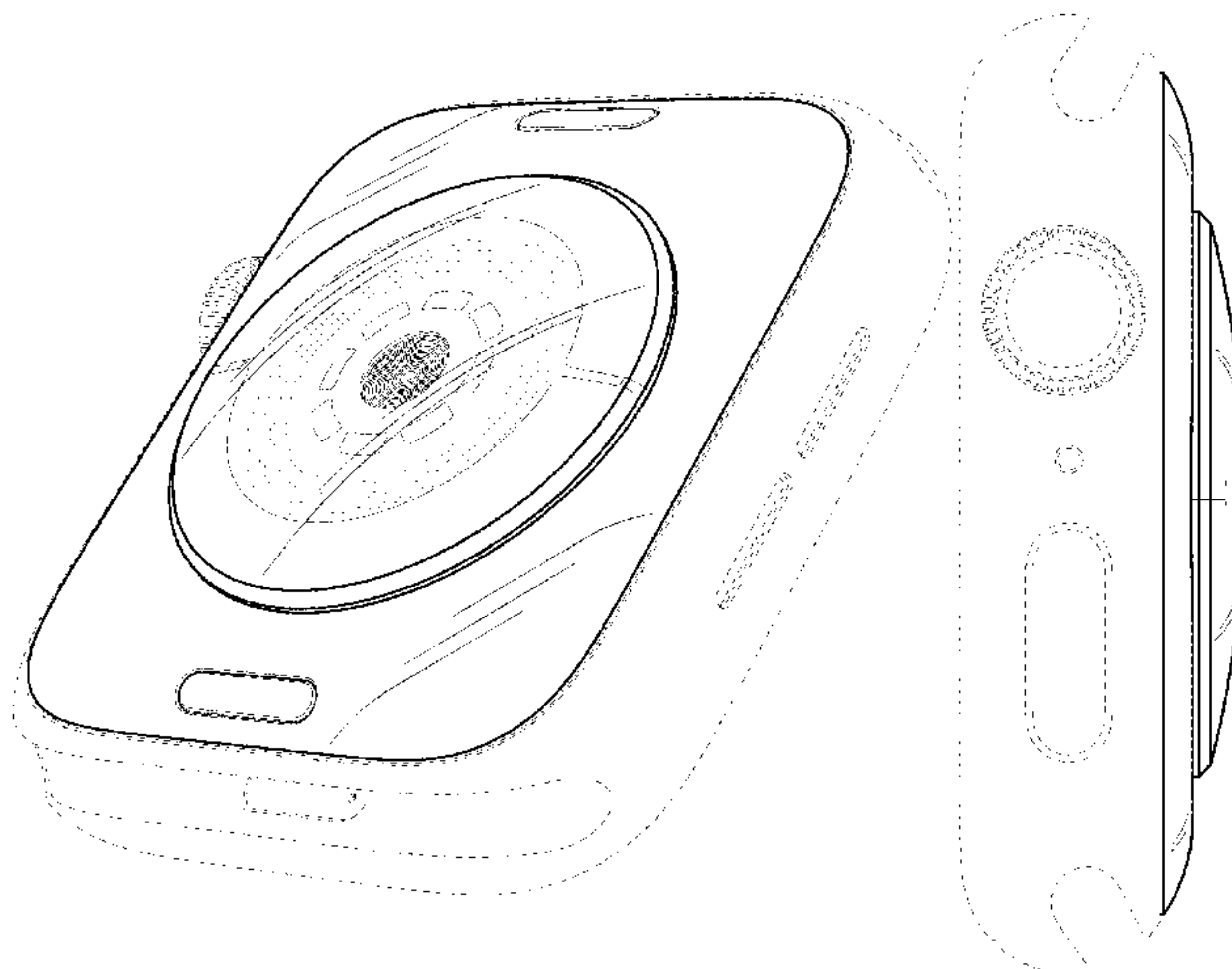
USPC ... D14/138 R, 144, 341, 344, 358, 388, 218, D14/485-495; D10/30-39, 70, 98; D11/3, 4, 26, 93-94, 78.1, 79, 86; D24/167, 169, 186-187, 164
CPC A41D 1/002; A41D 19/0034; G06F 1/04; G06F 1/08; G06F 1/10; G06F 1/14; G06F 1/1626; G06F 1/1628; G06F 1/163; G06F 1/1635; G06F 1/3203; G06Q 20/10; G06Q 20/12; G06Q 20/108; G06Q 20/145; H04B 1/3833; H04B 1/385; H04B 1/3888; H04M 1/02; H04M 1/03; H04M 1/04; H04M 1/05; H04M 1/667; H04M 1/6058; Y02B 60/1217

See application file for complete search history.

(56) **References Cited**

U.S. PATENT DOCUMENTS

3,640,065 A	2/1972	Lederrey et al.	
D287,471 S	12/1986	Sato et al.	
5,386,933 A	2/1995	Greene et al.	
D394,815 S *	6/1998	Jorss	D10/33
D439,172 S	3/2001	Brzezinski	
6,655,831 B1	12/2003	Ruffieux	
D496,589 S	9/2004	Perrenoud	
6,970,157 B2	11/2005	Siddeeq	
D513,195 S	12/2005	Gruosi	
7,004,469 B2	2/2006	Von Goeben	
D528,439 S	9/2006	Burton	
D528,928 S	9/2006	Burton	
7,106,197 B2	9/2006	Gaiotto et al.	
D558,227 S	12/2007	Cho et al.	
D572,266 S	7/2008	Anderson et al.	
D574,735 S	8/2008	Landman et al.	
D578,922 S	10/2008	Hoshino	
D584,170 S	1/2009	Morrison	
D586,823 S	2/2009	Anderson et al.	
D589,375 S	3/2009	Tang	
D596,610 S	7/2009	Hou	
D616,417 S	5/2010	Liao	
7,708,457 B2	5/2010	Girardin et al.	
D637,094 S	5/2011	Cobbett et al.	
D637,918 S	5/2011	Cobbett et al.	
D649,069 S *	11/2011	Galli	D10/30
D650,706 S	12/2011	Zanella et al.	



D666,503	S	9/2012	Bulgari	
D672,256	S *	12/2012	Behar	D10/39
D681,483	S	5/2013	Biegert et al.	
D699,701	S	2/2014	Kim	
8,996,064	B2 *	3/2015	Heil-Brice	H04M 1/15 455/515
D728,624	S	5/2015	Akanaet al.	
9,065,921	B2 *	6/2015	Merenda	B65H 75/48
D741,726	S	10/2015	Akana et al.	
D769,869	S	10/2016	Zhou et al.	
D789,545	S *	6/2017	Pippel	D24/186
D816,667	S *	5/2018	Hardi	D14/344
10,120,109	B2 *	11/2018	Ni	G02B 5/001
D835,521	S *	12/2018	Berthier	D10/32
D847,664	S *	5/2019	Mutsch	D10/39
10,396,252	B2 *	8/2019	Lee	H01L 25/0753
D861,020	S *	9/2019	Chaudhri	D14/486
D863,295	S *	10/2019	Hardi	D14/344
D865,760	S *	11/2019	Beristain	D14/344
10,474,192	B2 *	11/2019	Song	H01R 13/6273
D870,103	S *	12/2019	Akana	D14/341
2010/0061191	A1	3/2010	Chen	
2015/0296963	A1 *	10/2015	Byun	A45F 5/02 224/191
2017/0046451	A1 *	2/2017	Akana	G06F 17/50

FOREIGN PATENT DOCUMENTS

DE	10229050	C1	6/2003
EP	1098231	A1	5/2001
WO	WO-DM/066491-004		3/2005
WO	WO-DM072215		9/2009
WO	WO-DM/077452-004		6/2011
WO	WO-2014135709	A2	9/2014

OTHER PUBLICATIONS

Apple Watch Series 5, Apple's latest Apple Watch, with always-on display and built-in compass, posted Dec. 19, 2019, [retrieved Dec. 19, 2019]. Retrieved from Internet, <URL: <https://www.macrumors.com/roundup/apple-watch/>>.*

Apple Watch Series 5 Release Date, Specs: Glucose Sensor Is One of the New Health Features?, posted Feb. 22, 2019, [retrieved Dec. 19, 2019]. Retrieved from Internet, <URL: <https://www.econotimes.com/Apple-Watch-Series-5-Release-Date-Specs-Glucose-Sensor-Is-One-of-the-New-Health-Features-1501562>>.*

Concept: an Apple Watch Series 5 neither round nor square, deep black or 18 carat gold, posted May 30, 2019, [retrieved Dec. 19, 2019]. Retrieved from Internet, <URL: https://www.mac4ever.com/actu/143936_concept-une-apple-watch-series-5-ni-ronde-ni-carree-noir-profond-ou-or-18-carats>.*

Alvarez, Edgar, "Basis Peak to get its smartwatch-like features in December," *engadget.com*, <<http://www.engadget.com/2014/11/20/basis-peak-new-features/>>, dated Nov. 20, 2014, accessed Dec. 15, 2014.

Cool Material, "Braun Square Digital Watch," <<http://web.archive.org/web/20111125033014/http://coolmaterial.com/style/braun-square-digital-watch/>>, dated Nov. 25, 2011, accessed Dec. 18, 2014.

Emily, "Nixon—The Newton Digital," <<http://www.freshnessmag.com/2009/09/08/nixon-the-newton-digital/>>, *freshnessmag.com*, dated Sep. 8, 2009, accessed Oct. 9, 2014.

Fitbit, "Fitbit Surge™ Fitness Super Watch" <<https://www.fitbit.com/surge>>, accessed Dec. 15, 2014.

geekbuying.com, "Makibes unisex red led digital wrist watch with square case silicone watchband—white," <<http://www.geekbuying.com/item/Unisex-Red-LED-Digital-Wrist-Watch-with-Square-Case-Silicone-Watchband---White-326443.html>>, accessed Oct. 9, 2014.

Hodinkee.com, "Apple iPod Nano Now Available With Mickey Mouse Dial, Also Cheesy, Mechanically Inaccurate Open-Worked Dial," <<http://web.archive.org/web/20111006043916/http://www.hodinkee.com/blog/2011/10/5/apple-ipod-nano-now-available-with-mickey-mouse-dial-also-ch.html>>, dated Oct. 6, 2011, accessed Dec. 18, 2014.

Homego, "M6 Silver Smart Watch Cell Phone 1.54 inch Bluetooth 3.0 Dialer Outdoor Sports Pedometer," *amazon.com*, <<http://www.amazon.com/Silver-Bluetooth-Dialer-Outdoor-Pedometer/dp/B00MQTBGK6>>, accessed Dec. 15, 2014.

Ikepod, "Original Ikepod Watch With GMT—Marc Newson Design," *Watchbox.be*, <<http://www.watchbox.be/prod/Others-Watches/Marc%20Newson%20Design/item7165.htm#.VJLm2fAo5D8>>, accessed Dec. 17, 2014.

LG Life's Good, "LG G Watch (W100)," <<http://www.lg.com/us/smart-watches/lg-W100-g-watch>>, accessed Dec. 18, 2014.

Metawatch, "Frame—Black (MW3005)," <<http://meta.watch/collections/smartwatch-all/products/frame-ss-black-leather>>, accessed Dec. 15, 2014.

Omate, "Omate TrueSmart: Water-resistant standalone Smartwatch 2.0," <<http://www.kickstarter.com/projects/omate/omate-truesmart-water-resistant-standalone-smartwa>>, dated Aug. 21, 2013, accessed Oct. 8, 2014.

Omate, "The TrueSmart™ is the world's first standalone smartwatch 2.0 running on top of Android and OUI 2.0," <<http://www.omate.com/product.html>>, accessed Dec. 15, 2014.

Pebble, "Pebble Smartwatch," *getpebble.com*, <<https://getpebble.com/checkout>>, accessed Dec. 15, 2014.

Samsung, "Samsung Gear™ 2 Charcoal Black SM-R3800VSAXAR," <<http://www.samsung.com/us/mobile/wearable-tech/SM-R3800VSAXAR>>, accessed Dec. 15, 2014.

Samsung, "Samsung Gear S™, (Sprint), Black SM-R750PZKASPR," <<http://www.samsung.com/us/mobile/wearable-tech/SM-R750PZKASPR>>, accessed Dec. 15, 2014.

Samsung, "Galaxy Gear™ Live, Black SM-R3820ZKAXAR," <<http://www.samsung.com/us/mobile/wearable-tech/SM-R3820ZKAXAR>>, accessed Dec. 15, 2014.

Sony, "SmartWatch 3 SWR50," <<http://www.sonymobile.com/us/products/smartwear/smartwatch-3-swr50/>>, accessed Dec. 15, 2014.

Sony, "SmartWatch," <<http://www.sonymobile.com/us/products/accessories/smartwatch/>>, accessed Dec. 15, 2014.

Stables, James, "Clevercare smartwatch aims to help Alzheimer's suffers and carers: Revamped Sony SmartWatch 2 designed for users that need care," *Wearable News*, <<http://www.wearable.com/wearable-tech/clevercare-smartwatch-aims-to-help-alzheimers-suffers-and-carers-585>>, dated Dec. 15, 2014.

Team Luxe, "Collector's Edition: Hermes Carre H Watch," *Luxpresso*, <<http://luxpresso.com/news-couture/collectors-edition-hermes-carre-h-watch/2814>>, dated Jan. 10, 2011, accessed Dec. 18, 2014.

Ted Baker, "Ted Baker Men's TE1054 Time Flies Contemporary Square Digital Case Watch," <<http://www.amazon.com/Ted-Baker-TE1054-Contemporary-Digital/dp/B0045CRTYO%3FSubscriptionId%3DAKIAJ3U4YRIBWCGGKZ2A%26tag%3Dfrases365-20%26linkCode%3Dsp1%26camp%3D2025%26creative%3D165953%26creativeASIN%3DB0045CRTYO>>, accessed Oct. 9, 2014.

Velazco, Chris, "ASUS ZenWatch review: subtle and stylish, with a few shortcomings," *Engadget.com*, <<http://www.engadget.com/2014/12/11/asus-zenwatch-review/>>, dated Dec. 11, 2014, accessed Dec. 15, 2014.

Watches Infoniac.com, "Hermes Carre H Watch—Extremely Contemporary Design," <<http://watches.infoniac.com/carre-h-watch-hermes.html>>, dated Aug. 13, 2010, accessed Dec. 18, 2014.

Watchismo, "Braun BN0042 Black Date Leather," <<http://web.archive.org/web/20130815073830/http://www.watchismo.com/braun-bn0042bkbk.aspx>>, dated Aug. 15, 2013, accessed Dec. 18, 2014.

* cited by examiner

Primary Examiner — Karen E Kearney

Assistant Examiner — Kristin E Reed

(74) Attorney, Agent, or Firm — Sterne, Kessler, Goldstein & Fox P.L.L.C.

(57)

CLAIM

The ornamental design for an electronic device, as shown and described.

DESCRIPTION

FIG. 1 is a bottom front perspective view of an electronic device showing the claimed design;

FIG. 2 is a bottom rear perspective view thereof;
FIG. 3 is a front view thereof;
FIG. 4 is a rear view thereof;
FIG. 5 is a left side view thereof;
FIG. 6 is a right side view thereof;
FIG. 7 is a top view thereof;
FIG. 8 is a bottom view thereof; and,
FIG. 9 is a bottom front perspective reference view thereof showing the electronic device in an environment in which it may be used.
The broken lines in the figures show portions of the electronic device and environment that form no part of the claimed design.

1 Claim, 7 Drawing Sheets

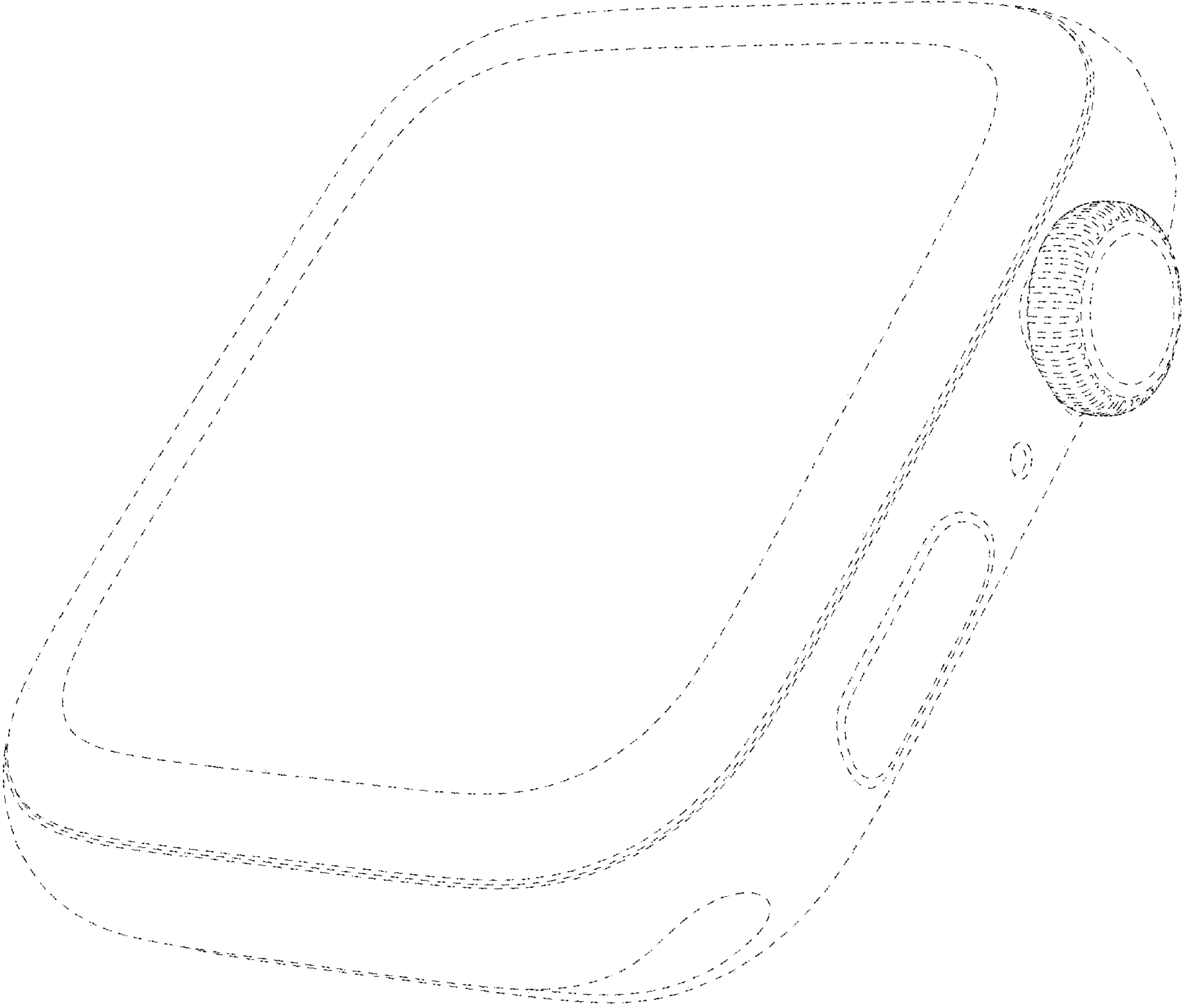


FIG. 1

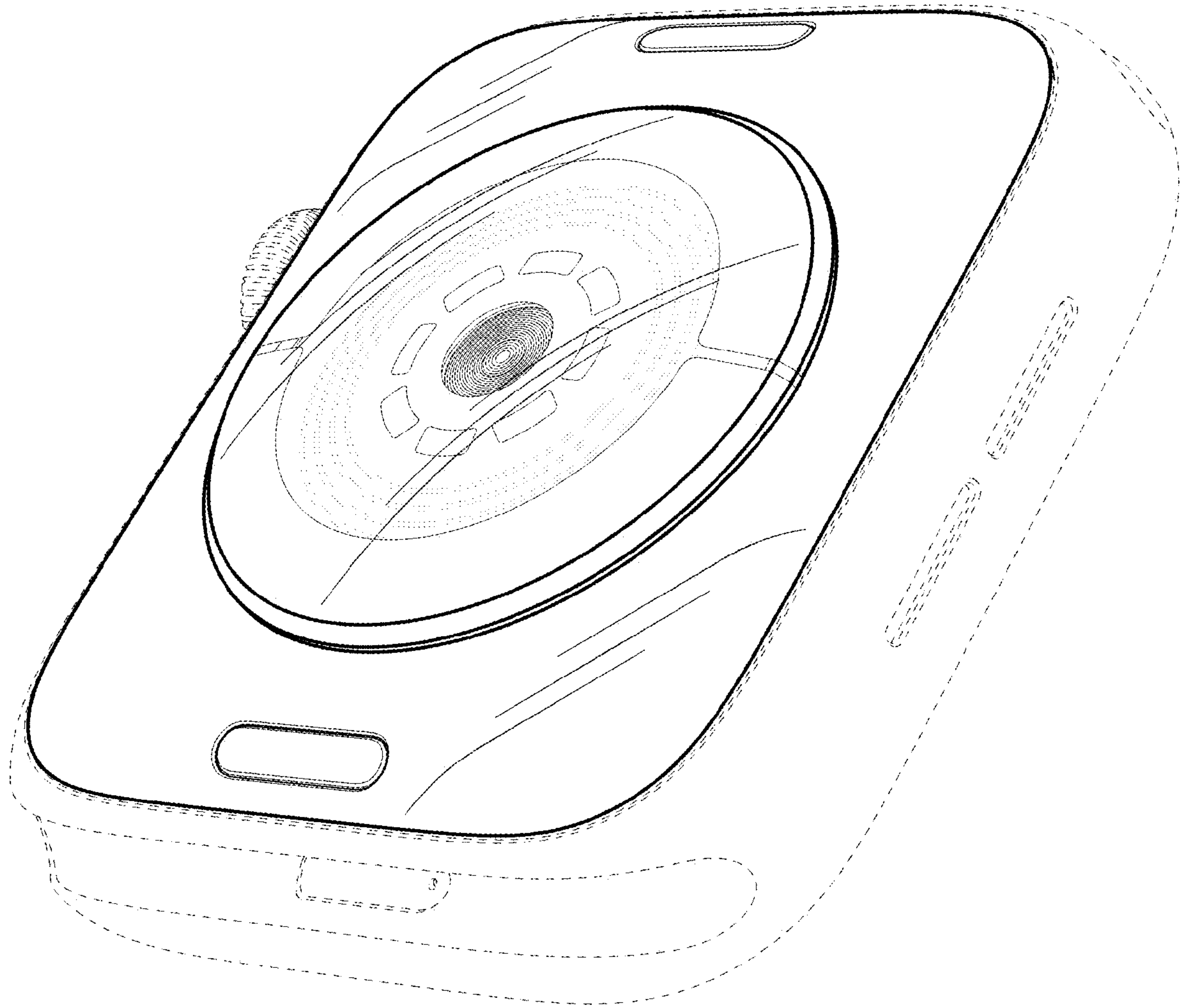


FIG. 2

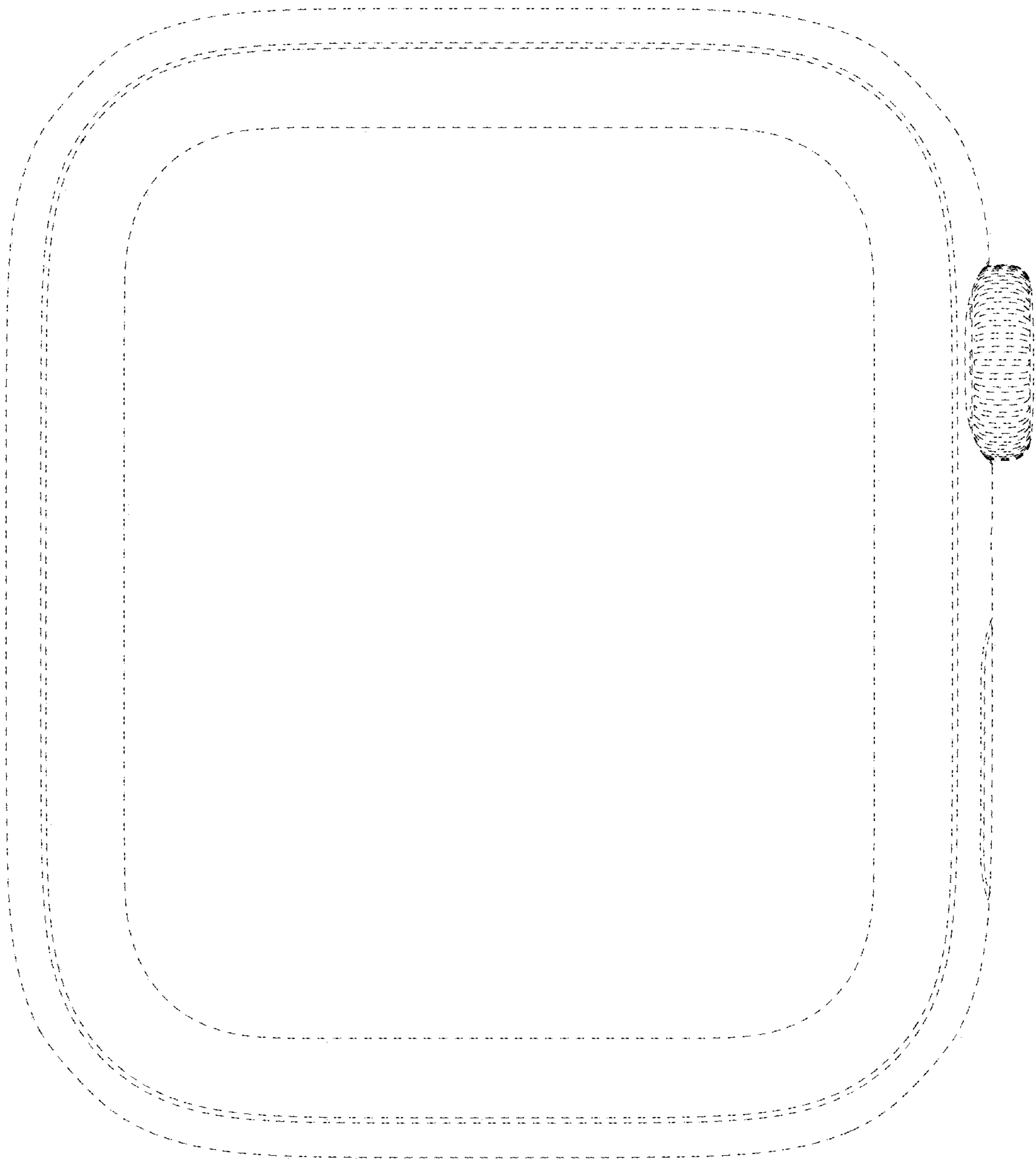


FIG. 3

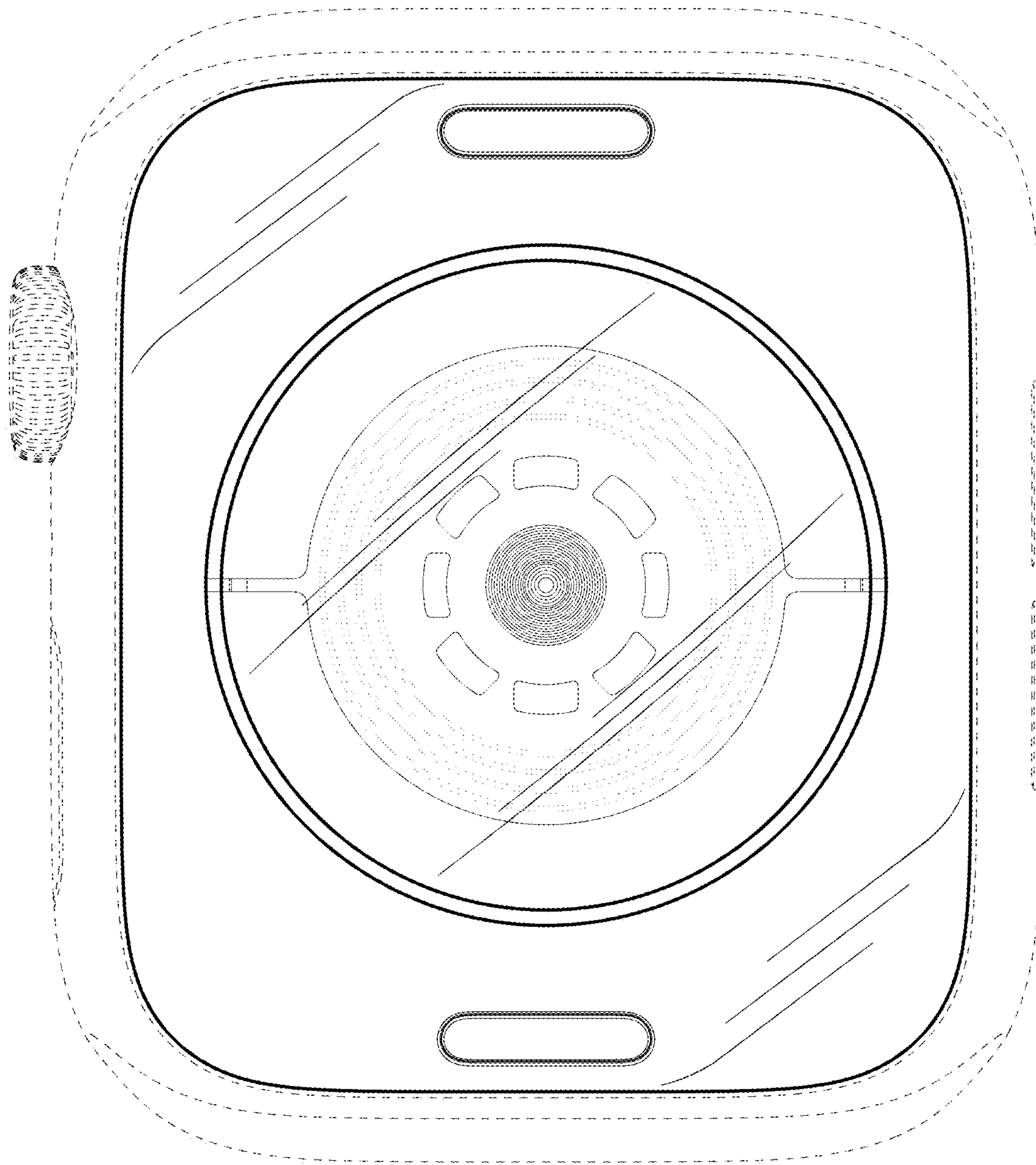


FIG. 4

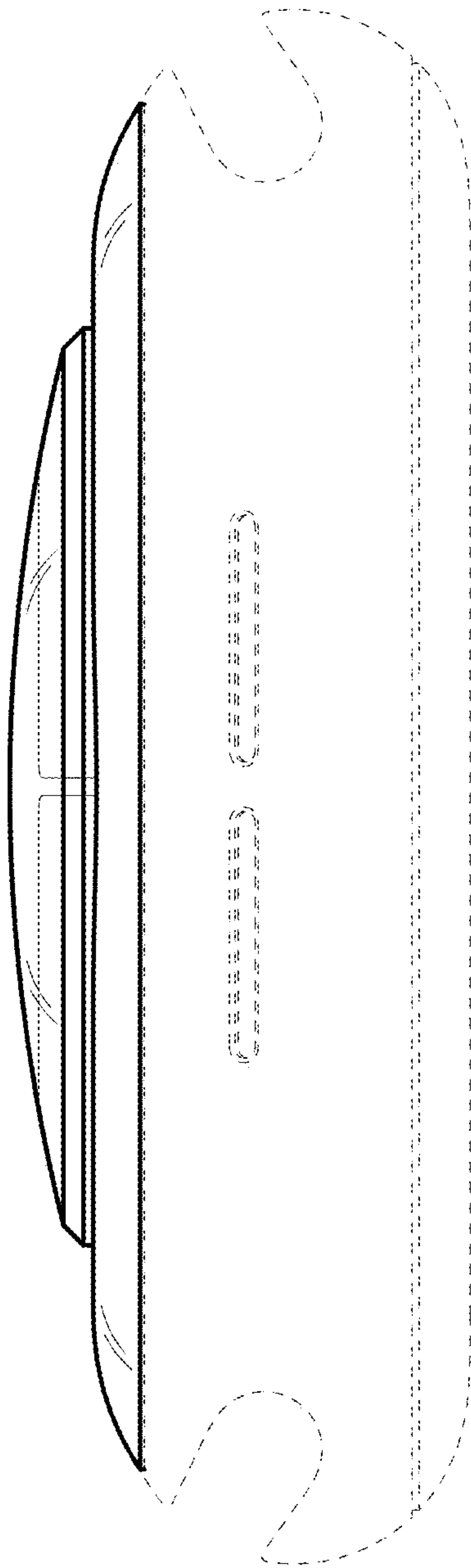


FIG. 5

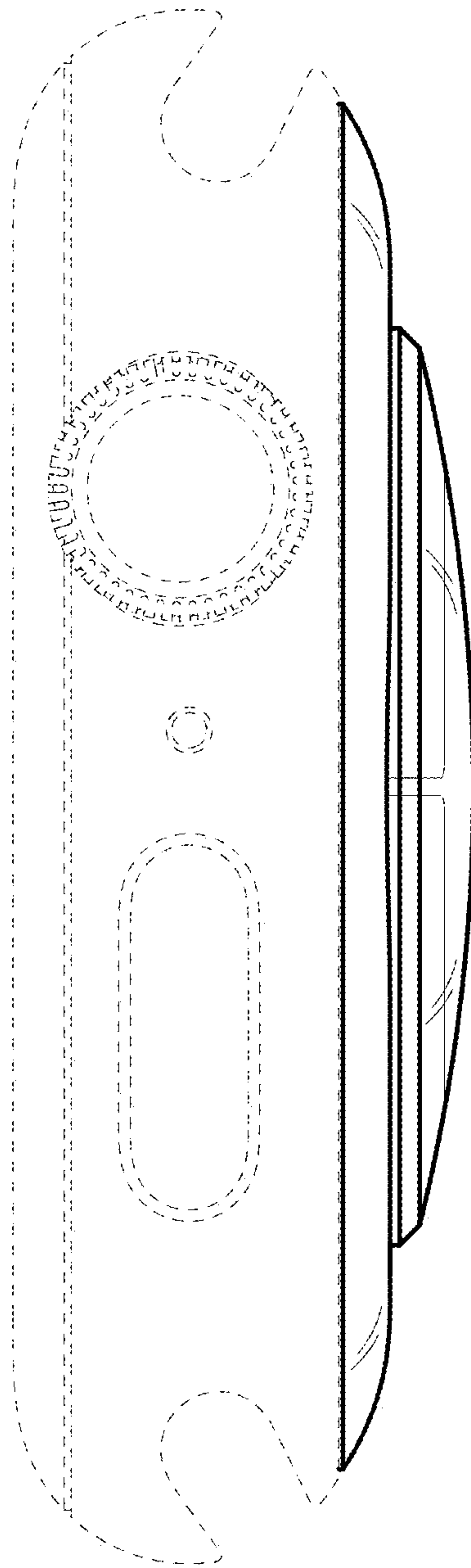


FIG. 6

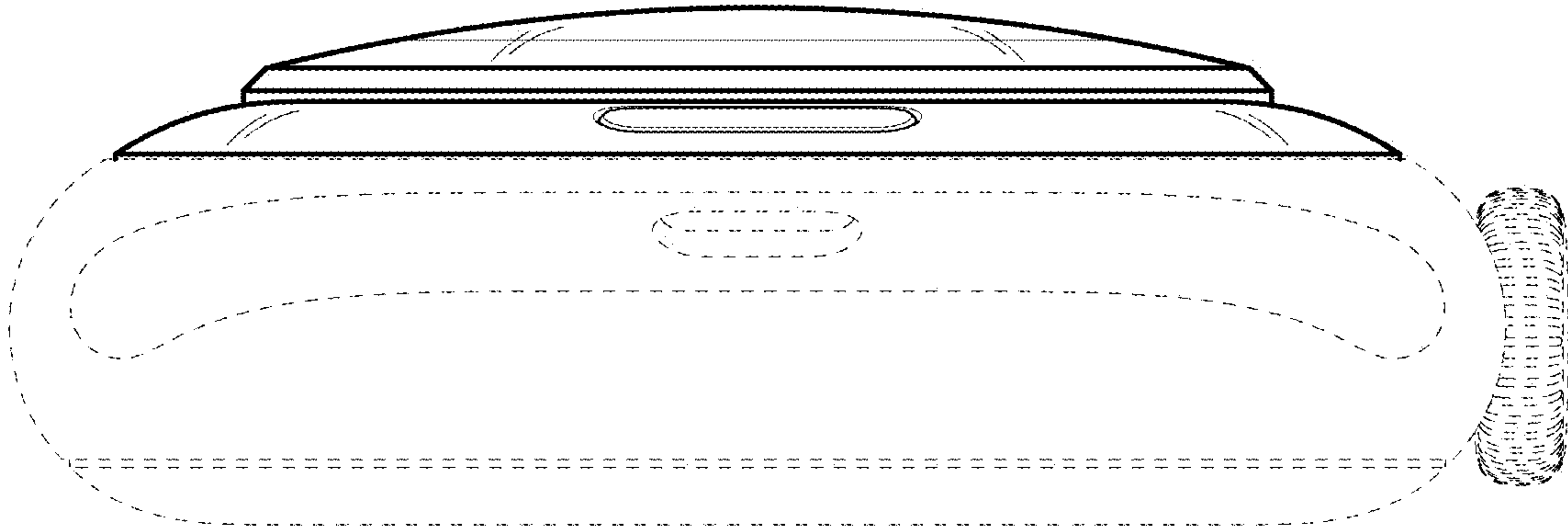


FIG. 7

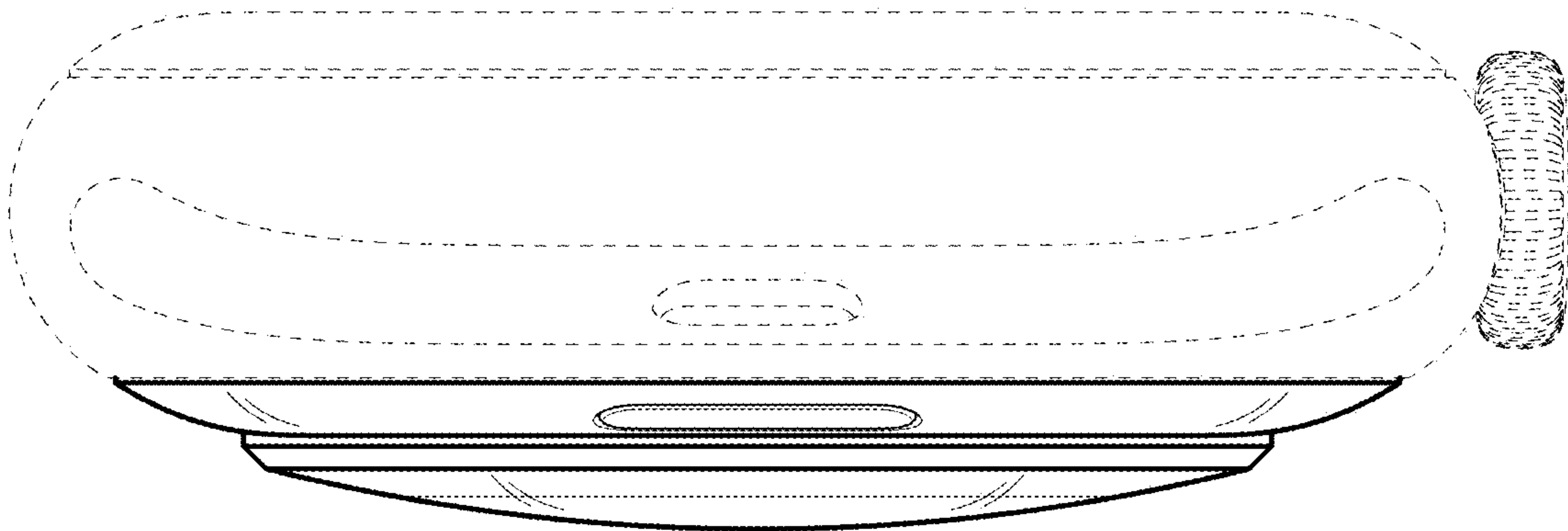


FIG. 8

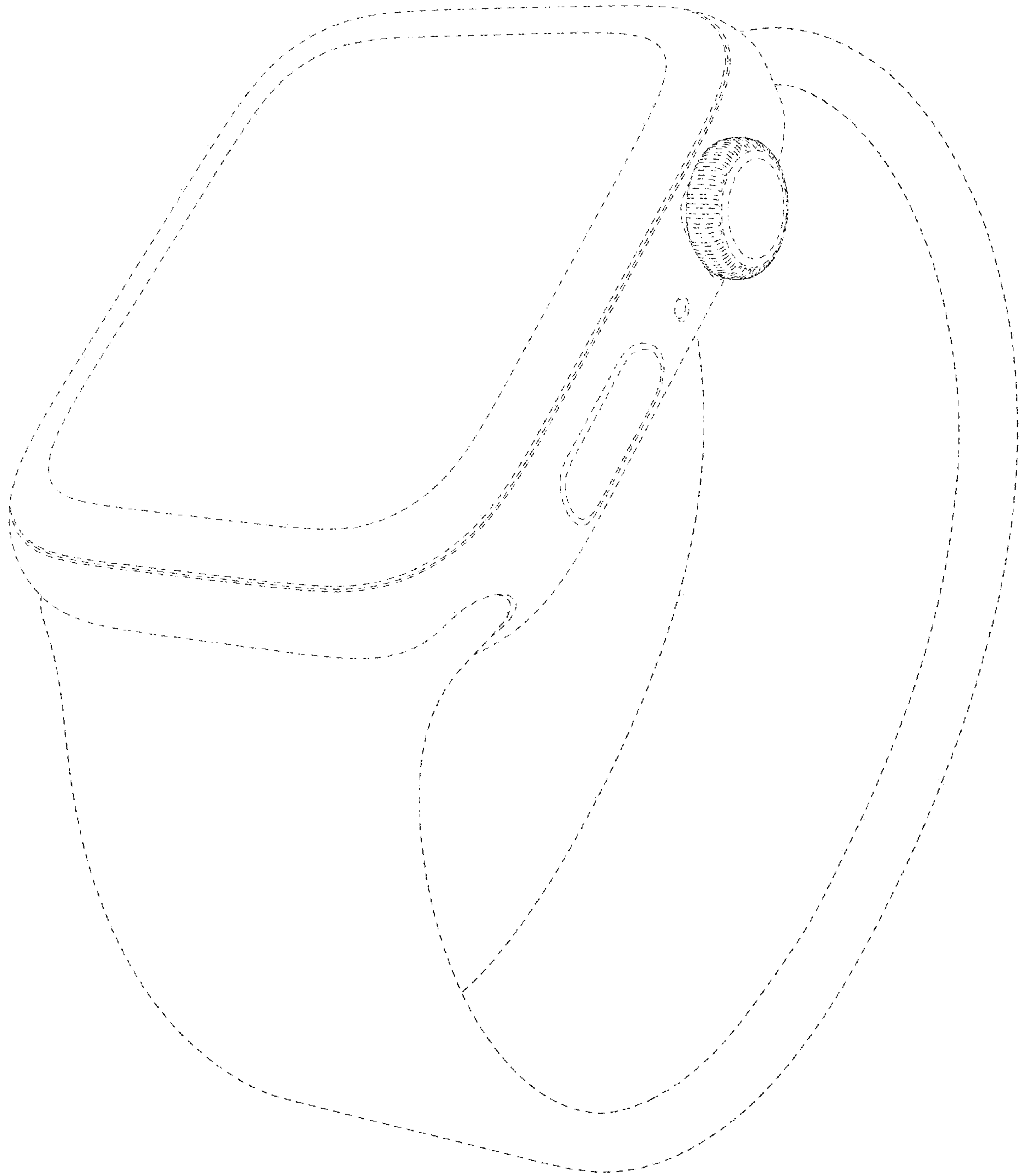


FIG. 9