



US00D882564S

(12) **United States Design Patent**  
**Jung**

(10) **Patent No.:** **US D882,564 S**  
(45) **Date of Patent:** **\*\* Apr. 28, 2020**

- (54) **CASE FOR SMART WATCH**
- (71) Applicant: **SPIGEN KOREA CO., LTD.**, Seoul (KR)
- (72) Inventor: **Soo Ha Jung**, Seoul (KR)
- (73) Assignee: **Spigen Korea CO., LTD.**, Seoul (KR)
- (\*\*) Term: **15 Years**
- (21) Appl. No.: **29/666,706**
- (22) Filed: **Oct. 15, 2018**
- (51) **LOC (12) Cl.** ..... **14-02**
- (52) **U.S. Cl.**  
USPC ..... **D14/344**
- (58) **Field of Classification Search**  
USPC ... D14/138 R, 144, 341, 344, 358, 388, 218,  
D14/250, 440; D10/30-39, 70, 98;  
D11/3, 4, 26, 93-94, 78.1, 79, 86;  
D24/167, 169, 186-187, 164  
CPC ..... A41D 1/002; A41D 19/0034; G06F 1/04;  
G06F 1/08; G06F 1/10; G06F 1/14; G06F  
1/1626; G06F 1/1628; G06F 1/163; G06F  
1/1635; G06F 1/3203; G06Q 20/10;  
G06Q 20/12; G06Q 20/108; G06Q  
20/145; H04B 1/3833; H04B 1/385;  
H04B 1/3888; H04M 1/02; H04M 1/03;  
H04M 1/04; H04M 1/05; H04M 1/667;  
H04M 1/6058; Y02B 60/1217  
See application file for complete search history.

(56) **References Cited**

**U.S. PATENT DOCUMENTS**

- D287,470 S \* 12/1986 Houlihan ..... D10/30
- D380,391 S \* 7/1997 Osit ..... D10/30
- D638,324 S 5/2011 Tang
- 7,946,758 B2 5/2011 Mooring
- D647,107 S 10/2011 Akana
- D656,135 S 3/2012 Swartz

- 8,256,612 B1 9/2012 Wang
  - D671,930 S 12/2012 Akana
  - D674,789 S 1/2013 Wen
  - D678,262 S 3/2013 Prato
  - D681,483 S 5/2013 Biegert
  - D688,582 S 8/2013 Wilson
- (Continued)

**OTHER PUBLICATIONS**

Galaxy Watch 46mm Case Liquid Air [Colour:Black], posted unknown, [retrieved Apr. 29, 2019]. Retrieved from Internet, <URL: <https://www.spigenstore.com.au/spigen-galaxy-watch-46mm-liquid-air-2223139>>.\*

(Continued)

*Primary Examiner* — Karen E Kearney  
*Assistant Examiner* — Kristin E Reed

(74) *Attorney, Agent, or Firm* — Heedong Chae; Lucem, PC

(57) **CLAIM**

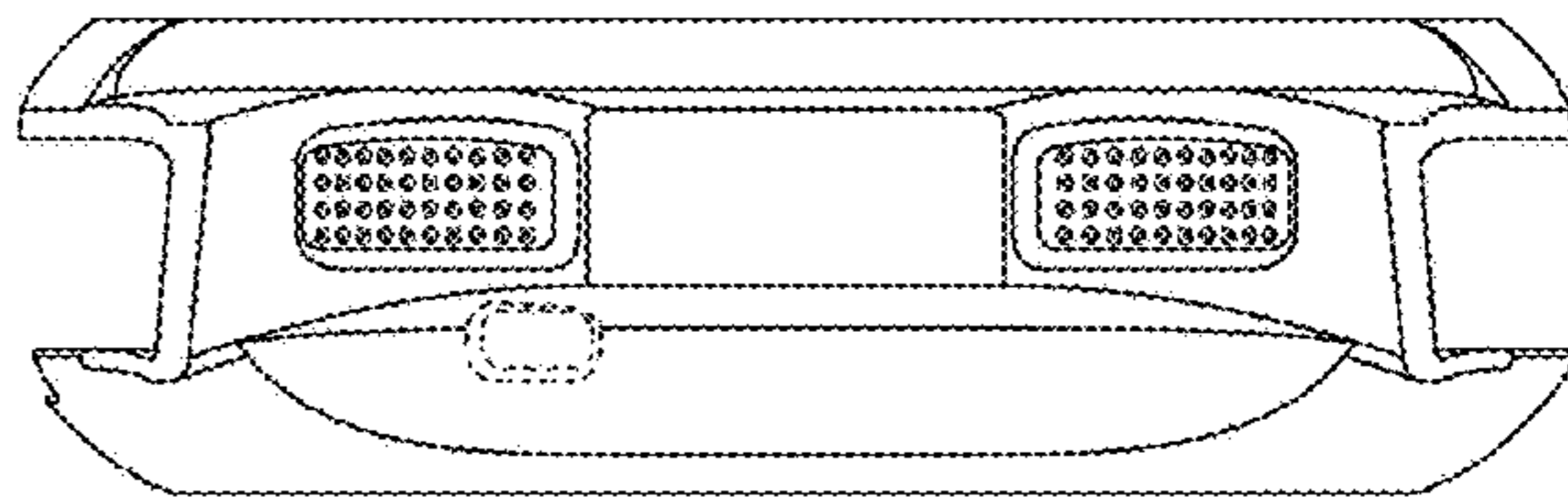
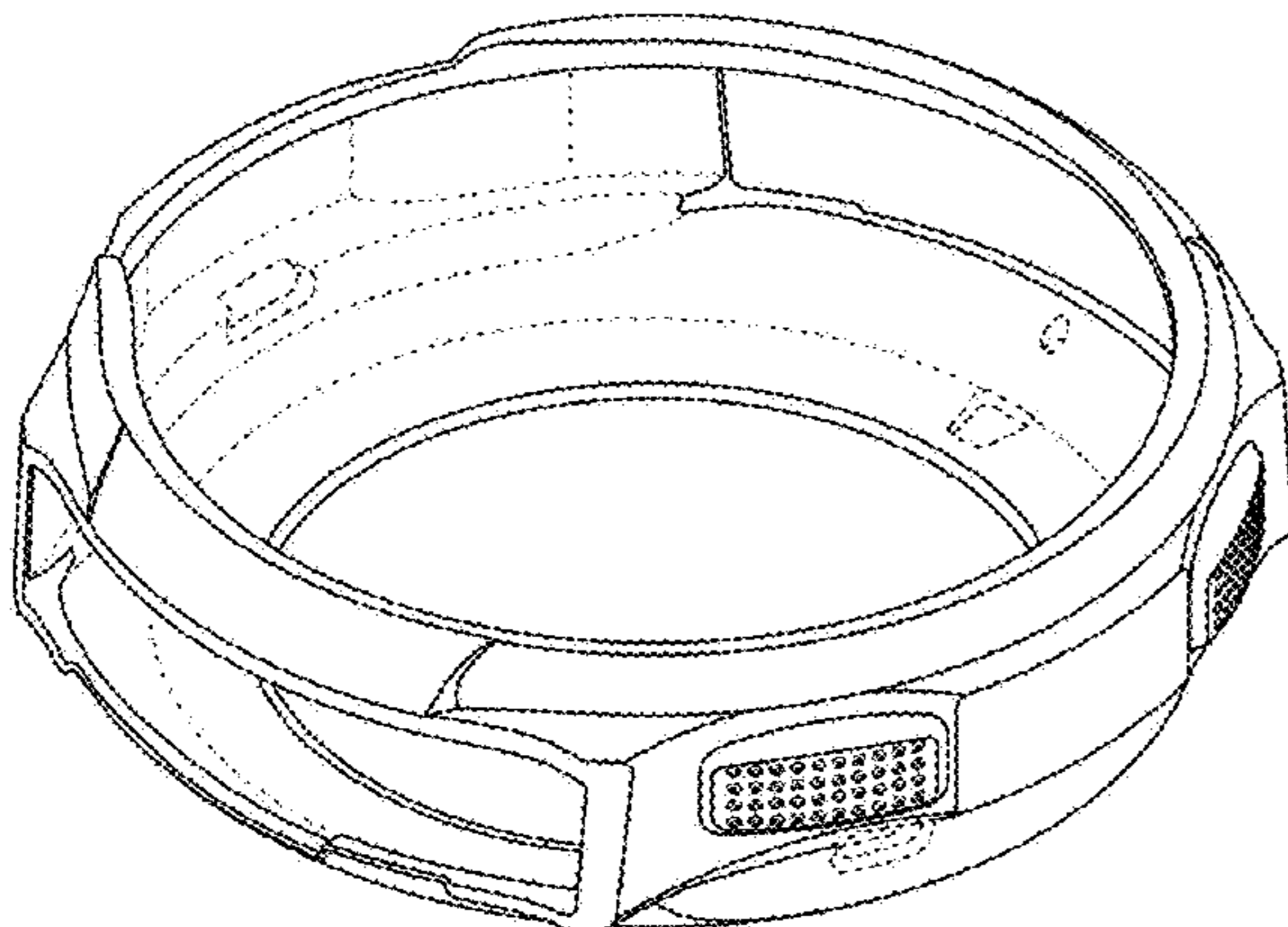
The ornamental design for a case for smart watch, as shown and described.

**DESCRIPTION**

FIG. 1 is a front perspective view of a case for smart watch showing my new design;  
FIG. 2 is another front perspective view thereof;  
FIG. 3 is a front elevational view thereof;  
FIG. 4 is a rear elevational view thereof;  
FIG. 5 is a left side elevational view thereof;  
FIG. 6 is a right side elevational view thereof;  
FIG. 7 is a top plan view thereof; and,  
FIG. 8 is a bottom plan view thereof.

The broken lines throughout the drawing figures depict portions of the case for smart phone that form no part of the claimed design. The broken lines and regions bounded by broken lines form no part of the claimed design.

**1 Claim, 8 Drawing Sheets**



(56)

References Cited

U.S. PATENT DOCUMENTS

D688,967	S	9/2013	Wilson	
8,523,124	B2	9/2013	Yuan	
D693,709	S	11/2013	Lee	
D703,649	S	4/2014	Wikel	
D714,206	S	9/2014	Starr, Jr.	
D714,295	S	9/2014	Fujioka	
D716,312	S	10/2014	Fujioka	
D719,125	S	12/2014	Choi et al.	
D723,016	S	2/2015	Lee	
D728,549	S	5/2015	Su	
D730,225	S	5/2015	Behar	
D735,198	S	7/2015	Song	
D735,199	S	7/2015	Song	
D735,200	S	7/2015	Song	
D735,586	S *	8/2015	Stegmann	..... D10/30
D736,103	S	8/2015	Behling	
D740,704	S	10/2015	Park et al.	
D742,260	S	11/2015	Park et al.	
D743,282	S	11/2015	Park et al.	
D746,815	S	1/2016	Lim et al.	
D746,816	S	1/2016	Lim et al.	
D752,044	S	3/2016	Akana	
D752,996	S	4/2016	Ebersold	
D754,133	S	4/2016	Chen	
D756,240	S	5/2016	Register et al.	
D759,507	S	6/2016	Bonadei et al.	
D766,904	S *	9/2016	Jung	..... D14/440
D766,906	S	9/2016	Kim	
D767,573	S	9/2016	Kim	
D771,504	S	11/2016	Lai	
D772,868	S	11/2016	Park et al.	
D795,089	S *	8/2017	Wright	..... D10/32
D798,744	S	10/2017	Wright	
D799,344	S	10/2017	Wright	
D815,090	S	4/2018	Chan et al.	
D817,952	S *	5/2018	Choi	..... D14/344
D823,841	S *	7/2018	Marini	..... D14/238
D843,851	S *	3/2019	Manzoni	..... D10/30
2010/0061191	A1	3/2010	Chen	
2012/0257340	A1	10/2012	Kim	
2013/0222139	A1	8/2013	Gouge	
2017/0020453	A1 *	1/2017	Nakagawa	..... A61B 5/681

OTHER PUBLICATIONS

SIRUIBO Case for Samsung Galaxy Watch 42mm SM-R800, posted as early as Jul. 12, 2018, [retrieved Apr. 29, 2019]. Retrieved from Internet, <URL: <https://www.amazon.com/SIRUIBO-Samsung-Scractch-Resist-Protective-Smartwatch/dp/B07JZ8CWV7> >.\*

Spigen Liquid Air Armor Designed for Samsung Galaxy Watch Case 42mm, posted as early as Nov. 8, 2018, [retrieved Apr. 29, 2019]. Retrieved from Internet, <URL: <https://www.amazon.com/Spigen-Liquid-Designed-Samsung-Smartwatch/dp/B07J2XG3YG> >.\* Samsung Galaxy Watch Unveiled: Here’s Everything You Need to Know, posted Aug. 10, 2018, [retrieved Apr. 29, 2019]. Retrieved from Internet, <URL: <https://www.forbes.com/sites/davidphelan/2018/08/10/samsung-galaxy-watch-unveiled-heres-everything-you-need-to-know/#45edc3b05964> >.\*

“Rugged Armor Designed for Apple Watch Case for 42mm Series 3/Series 2/1/Original (2015)—Black”, <https://www.amazon.com/dp/B00UVSNQPM>, earliest review date of Apr. 30, 2015, downloaded on Jan. 15, 2019.

“Spigen Tough Armor Designed for Apple Watch Case and Built in Screen Protector for 42mm (2015)—Gunmetal”, <https://www.amazon.com/dp/B00UVSOWBY>, earliest review date of May 7, 2015, downloaded on Jan. 15, 2019.

“Spigen Tough Armor Designed for Apple Watch Case for 42mm Series 3 / Series 2/1 / Original (2015) / Nike+ Sport Edition and Built in Screen Protector—Gunmetal”, <https://www.amazon.com/dp/B01N74P26H>, earliest review date of Jan. 4, 2017, downloaded on Jan. 15, 2019.

“Case Compatible for Samsung Gear S3 Frontier SM-R760,HMJ Band All-Around Protective Bumper Slim Plated TPU Case Scratch-Proof Cover Shell for Samsung Gear S3 Frontier/Classic Galaxy Watch 46mm SM-R800”, <https://www.amazon.com/dp/B072KZQYPR>, earliest review date of Jun. 25, 2017, downloaded on Dec. 3, 2019.

“Spigen Tough Armor [2nd Generation] Designed for Apple Watch Case for 42mm Series 3 / Series 2 / Nike+ Sport Edition—Black”, <https://www.amazon.com/dp/B075FJT3FK>, earliest review date of Dec. 30, 2017, downloaded on Jan. 15, 2019.

“LDFAS Galaxy Watch 46MM Case, (2 Pack) Silicone Shock-Proof and Protector Cover Compatible for Samsung Galaxy Watch 46MM (2018)/ Gear S3 Frontier (2017) Smartwatch Silver+Black”, <https://kuwait.desertcart.com/products/89094665>, earliest review date of Mar. 10, 2018, downloaded on Dec. 3, 2019.

“Case for Samsung Gear S3 Frontier SM-R760, Haojavo Soft TPU Plated Protective Bumper Shell Protector for Samsung Gear S3 Frontier/Classical & Galaxy Watch 46mm Smartwatch Bands Accessories”, <https://www.amazon.com/dp/B07Y2QDL5S>, earliest review date of Aug. 20, 2018, downloaded on Dec. 3, 2019.

“JZK Case for Samsung Galaxy Watch 46mm Gear S3 Screen Protector,Shatter-Resistant Protective Shell TPU Cover Case for Samsung Gear S3 Frontier/Classical and Galaxy Watch 46mm Accessories,Silver”, <https://www.amazon.com/dp/B07GGKSKV1>, earliest review date of Sep. 3, 2018, downloaded on Dec. 3, 2019.

\* cited by examiner

FIG. 1

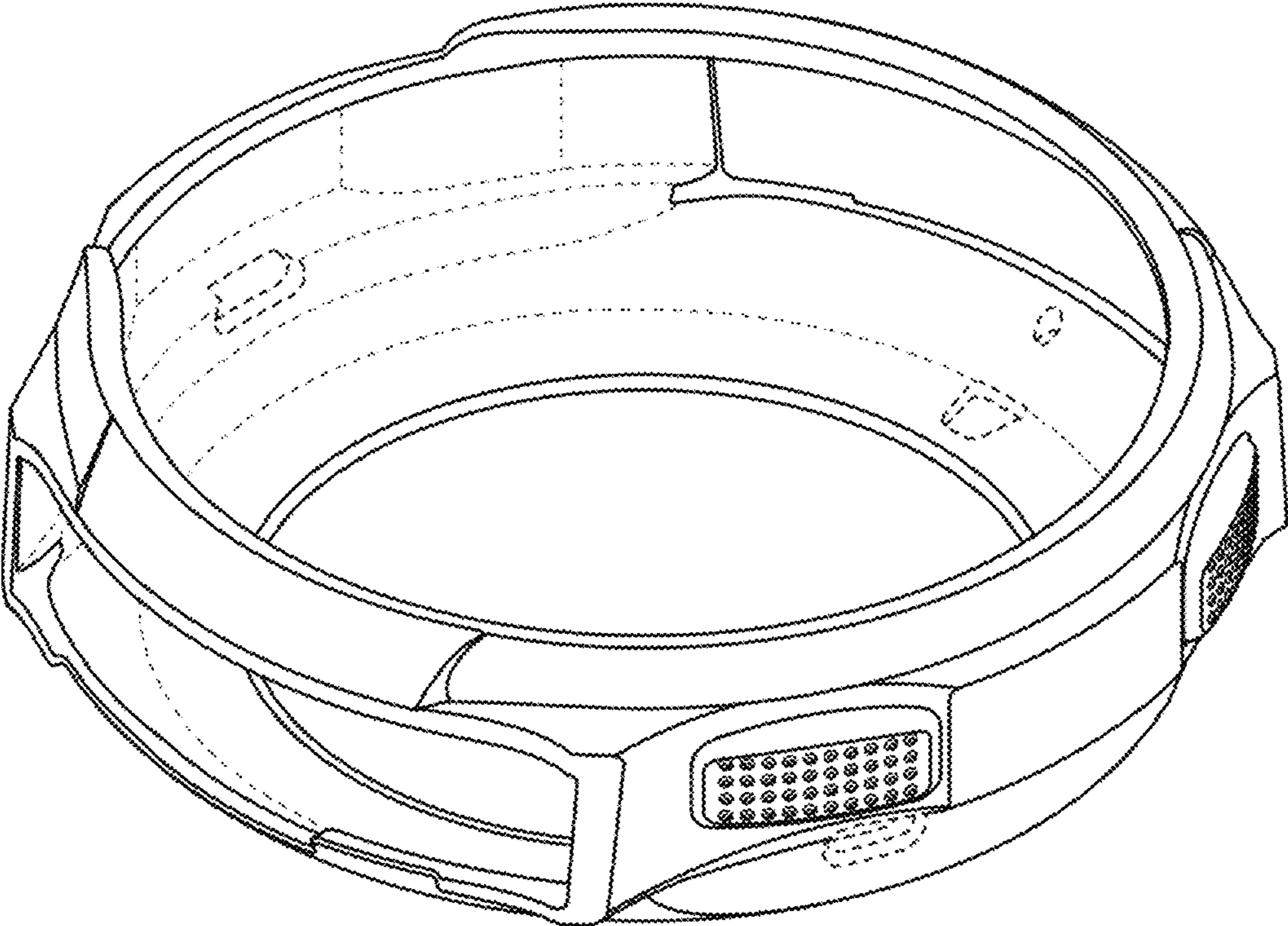


FIG. 2

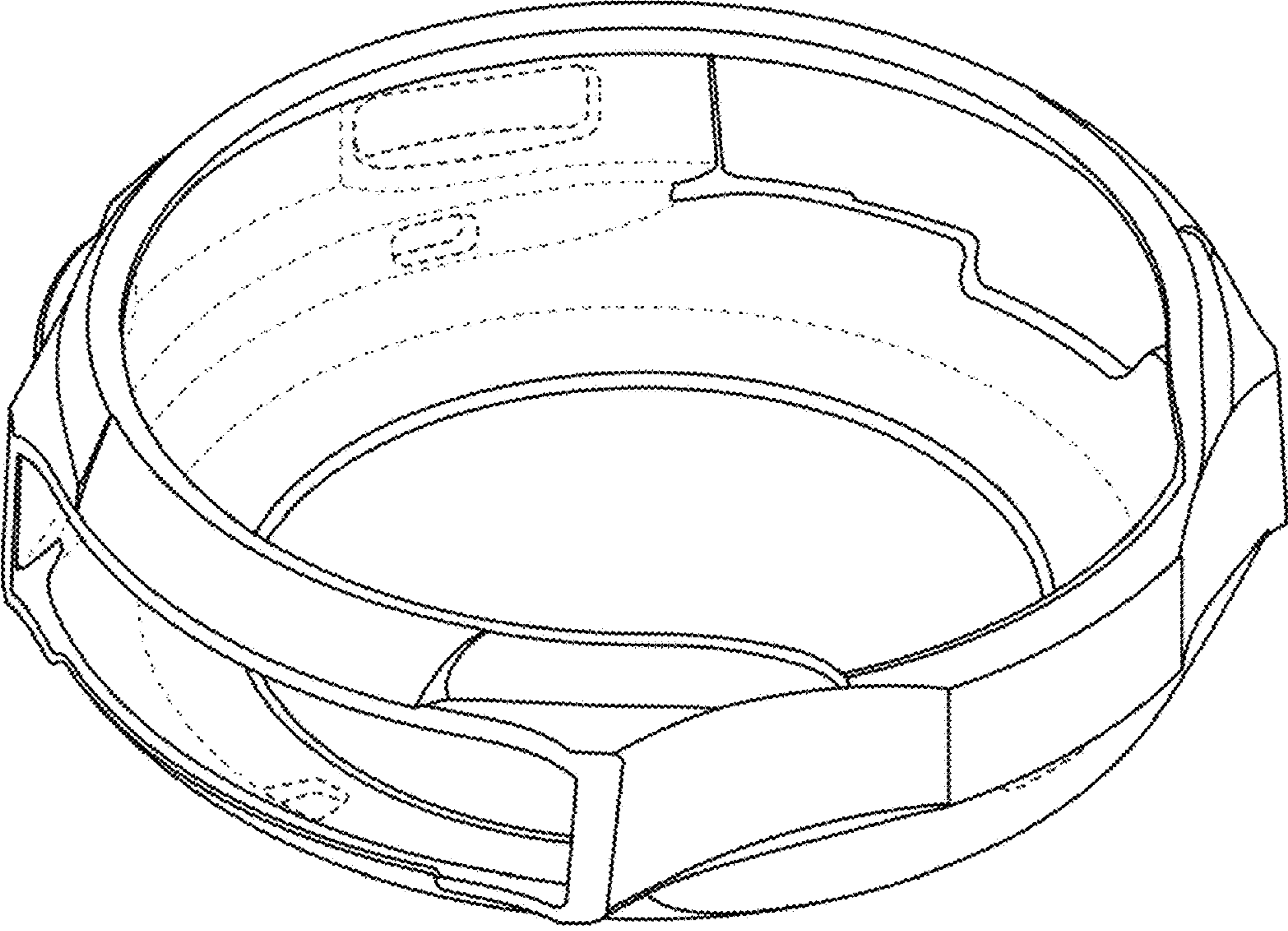


FIG. 3

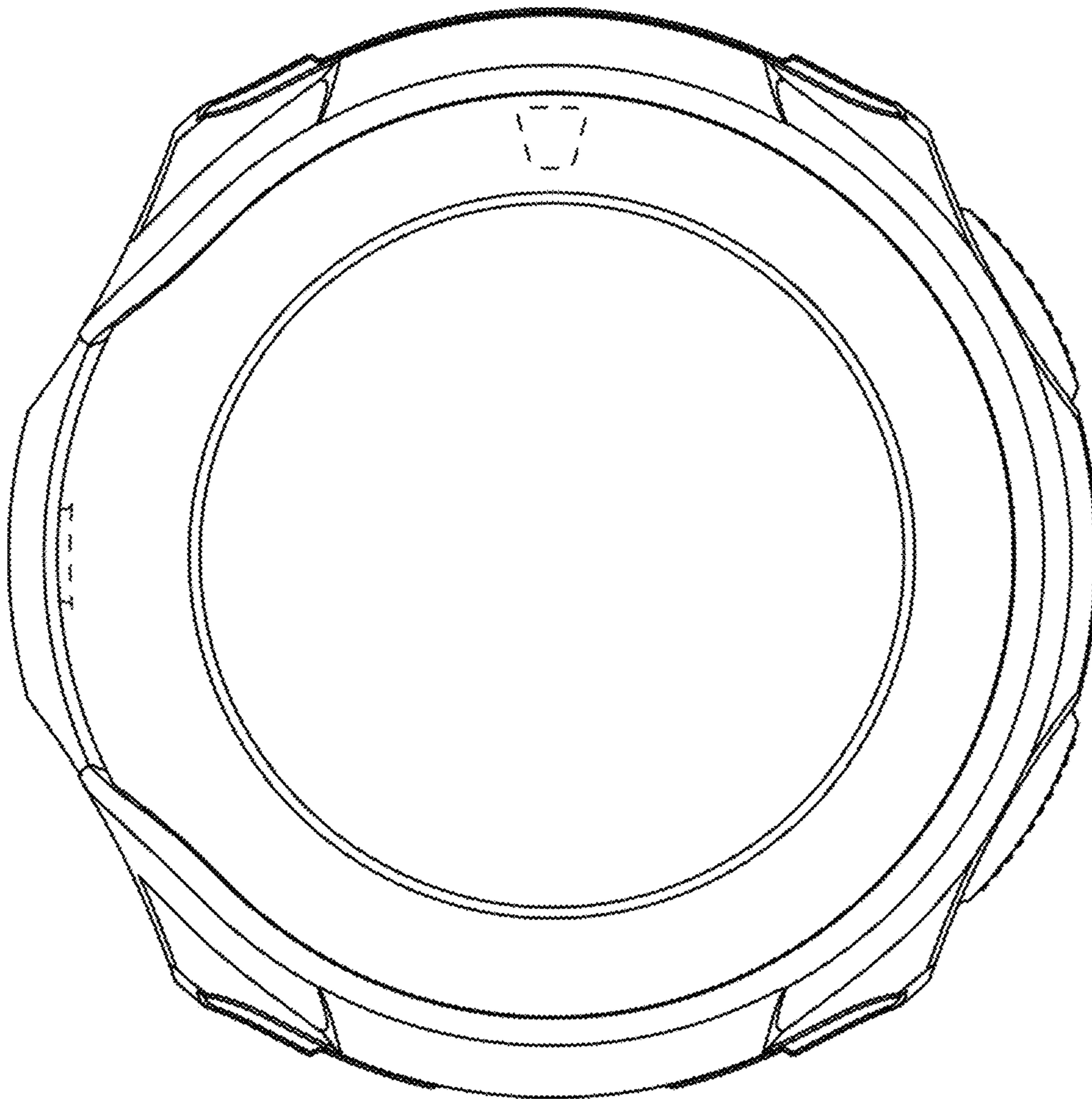


FIG. 4

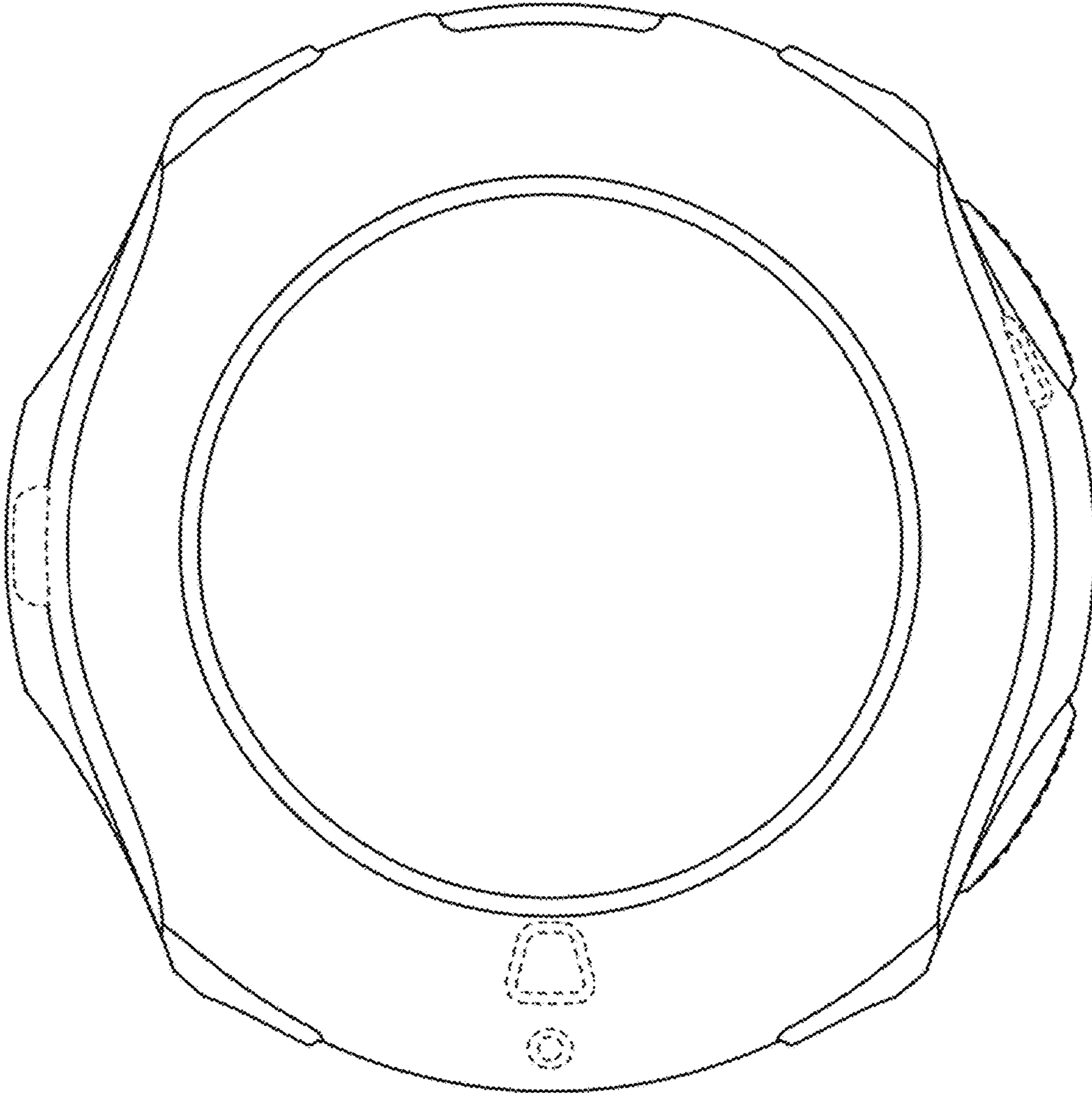


FIG. 5

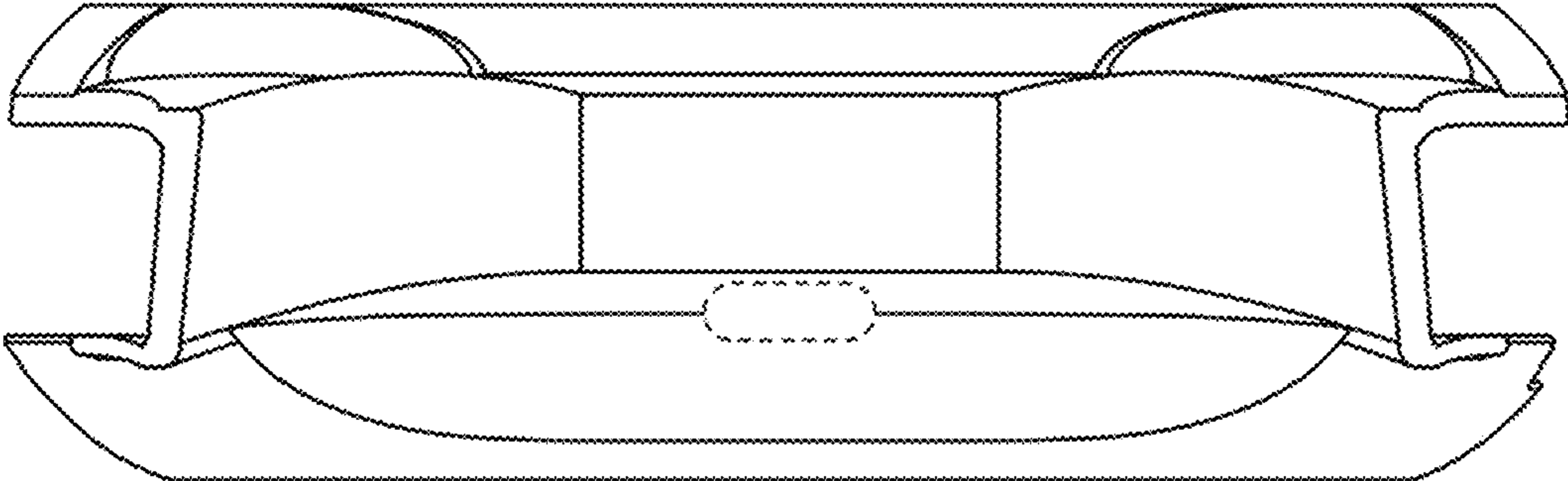


FIG. 6

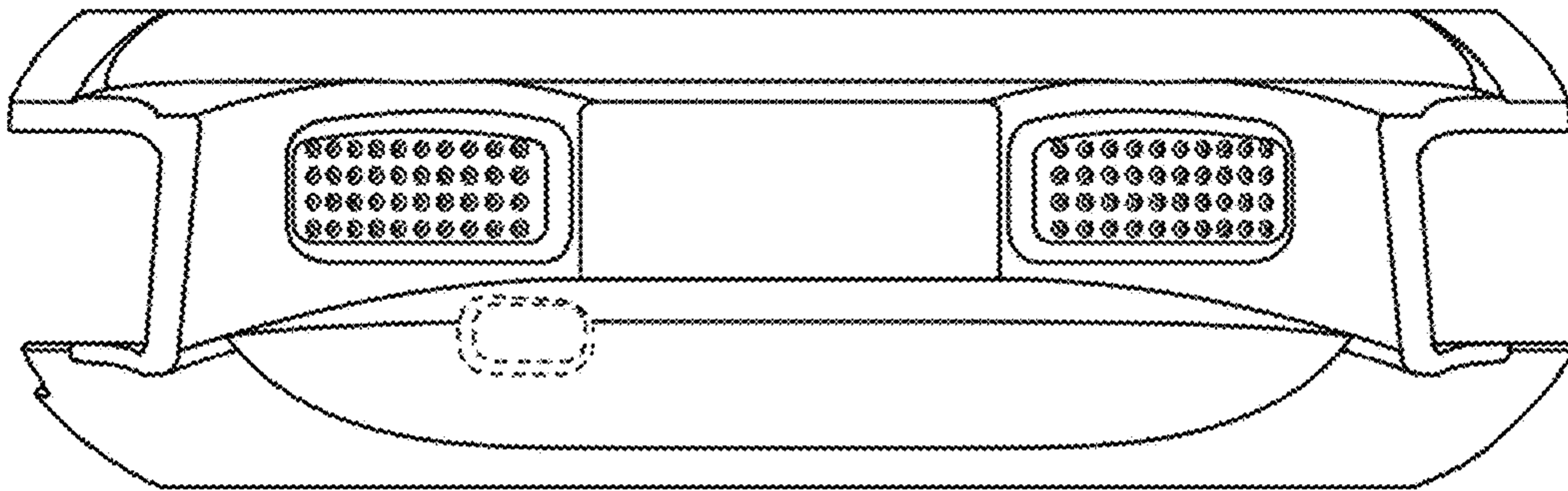




FIG. 7

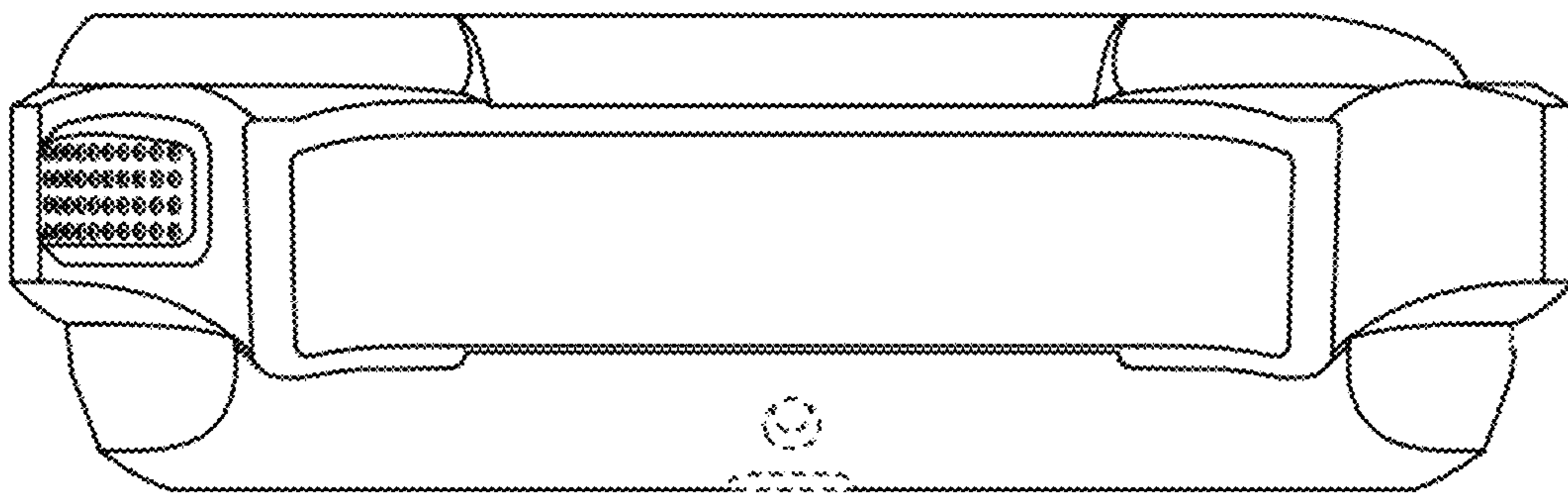


FIG. 8

