



US00D882561S

(12) **United States Design Patent**
Yoon

(10) **Patent No.:** **US D882,561 S**
(45) **Date of Patent:** **** Apr. 28, 2020**

(54) **PORTION OF A VEHICLE STEREO RECEIVER INCLUDING A WIRELESS CHARGING PAD**

Primary Examiner — Sandra L Morris
(74) *Attorney, Agent, or Firm* — TraskBritt

(71) Applicant: **NAMSUNG CORPORATION**,
Guro-gu, Seoul (KR)

(57) **CLAIM**

The ornamental design for a portion of a vehicle stereo receiver including a wireless charging pad, as shown and described.

(72) Inventor: **Seong-Ho Yoon**, Seoul (KR)

(73) Assignee: **NAMSUNG CORPORATION**, Seoul (KR)

DESCRIPTION

(**) Term: **15 Years**

FIG. 1 is a perspective view of a portion of a vehicle stereo receiver including a wireless charging pad, showing my new design;

(21) Appl. No.: **29/649,014**

FIG. 2 is a front view of the vehicle stereo receiver shown in FIG. 1;

(22) Filed: **May 25, 2018**

FIG. 3 is a rear view of the vehicle stereo receiver shown in FIG. 1;

(51) **LOC (12) Cl.** **14-03**

(52) **U.S. Cl.**

USPC **D14/258**; D13/108

(58) **Field of Classification Search**

USPC D12/192, 195, 415, 420; D14/496, D14/498-511, 154, 157, 168-171,

D14/188-198, 257-258; 248/27.1, 27.3,

248/558; 455/347, 350; D13/107-109

CPC B60R 11/02; B60K 37/04; B60K 37/06

See application file for complete search history.

FIG. 4 is a left side view of the vehicle stereo receiver shown in FIG. 1;

FIG. 5 is a right side view of the vehicle stereo receiver shown in FIG. 1;

FIG. 6 is a top view of the vehicle stereo receiver shown in FIG. 1;

FIG. 7 is a bottom view of the vehicle stereo receiver shown in FIG. 1;

FIG. 8 is a perspective view like that of FIG. 1 and illustrates the vehicle stereo receiver in use charging an electronic device on the wireless charging pad;

FIG. 9 is a perspective view of the vehicle stereo receiver shown in FIG. 1 with the wireless charging pad in a stored position within the vehicle stereo receiver; and,

FIGS. 10 through 12 are right side views illustrating movement of the wireless charging pad from the extracted position (FIG. 10), to an intermediate position (FIG. 11), and finally into the stored position (FIG. 12) within the vehicle stereo receiver.

The broken lines in FIGS. 1-12 illustrate unclaimed subject matter and do not form any part of the claimed design.

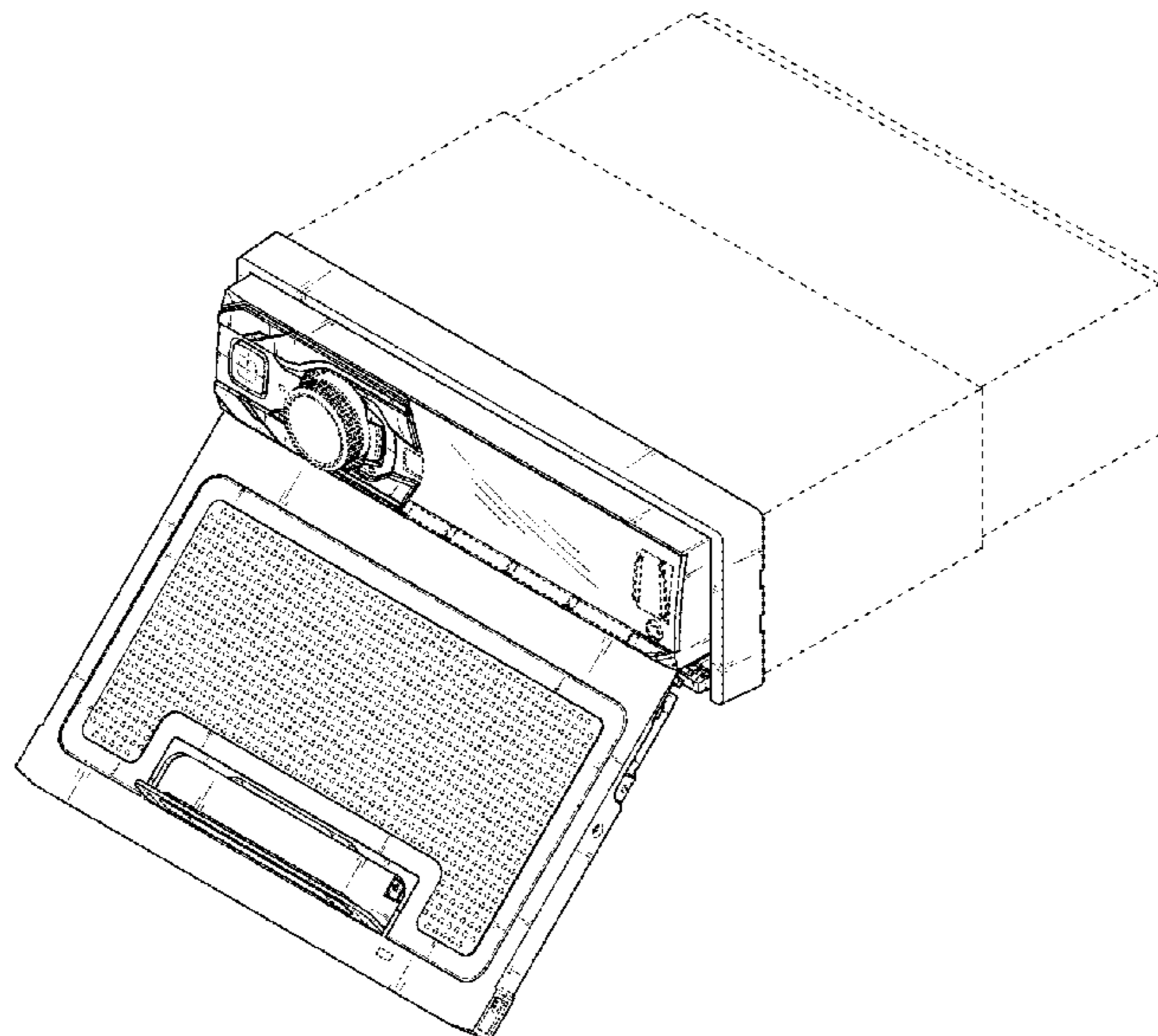
(56) **References Cited**

U.S. PATENT DOCUMENTS

D475,966 S *	6/2003	Chunn	D13/108
D496,648 S *	9/2004	Uehara	D14/168
D565,535 S *	4/2008	Muto	D14/157
D582,911 S *	12/2008	Kimura	D14/258
D630,612 S *	1/2011	Tomono	D14/157
D672,743 S *	12/2012	Suzuki	D14/157
D704,628 S *	5/2014	Tajik	D13/108
D709,855 S *	7/2014	Jonas	D13/107
D724,049 S *	3/2015	Funayama	D14/258
D727,844 S *	4/2015	Miller	D13/108
D729,163 S *	5/2015	Meyer	D13/107

(Continued)

1 Claim, 6 Drawing Sheets



(56)

References Cited

U.S. PATENT DOCUMENTS

D805,471 S * 12/2017 Fluckiger D13/107
D814,411 S * 4/2018 Lahiri D13/108

* cited by examiner

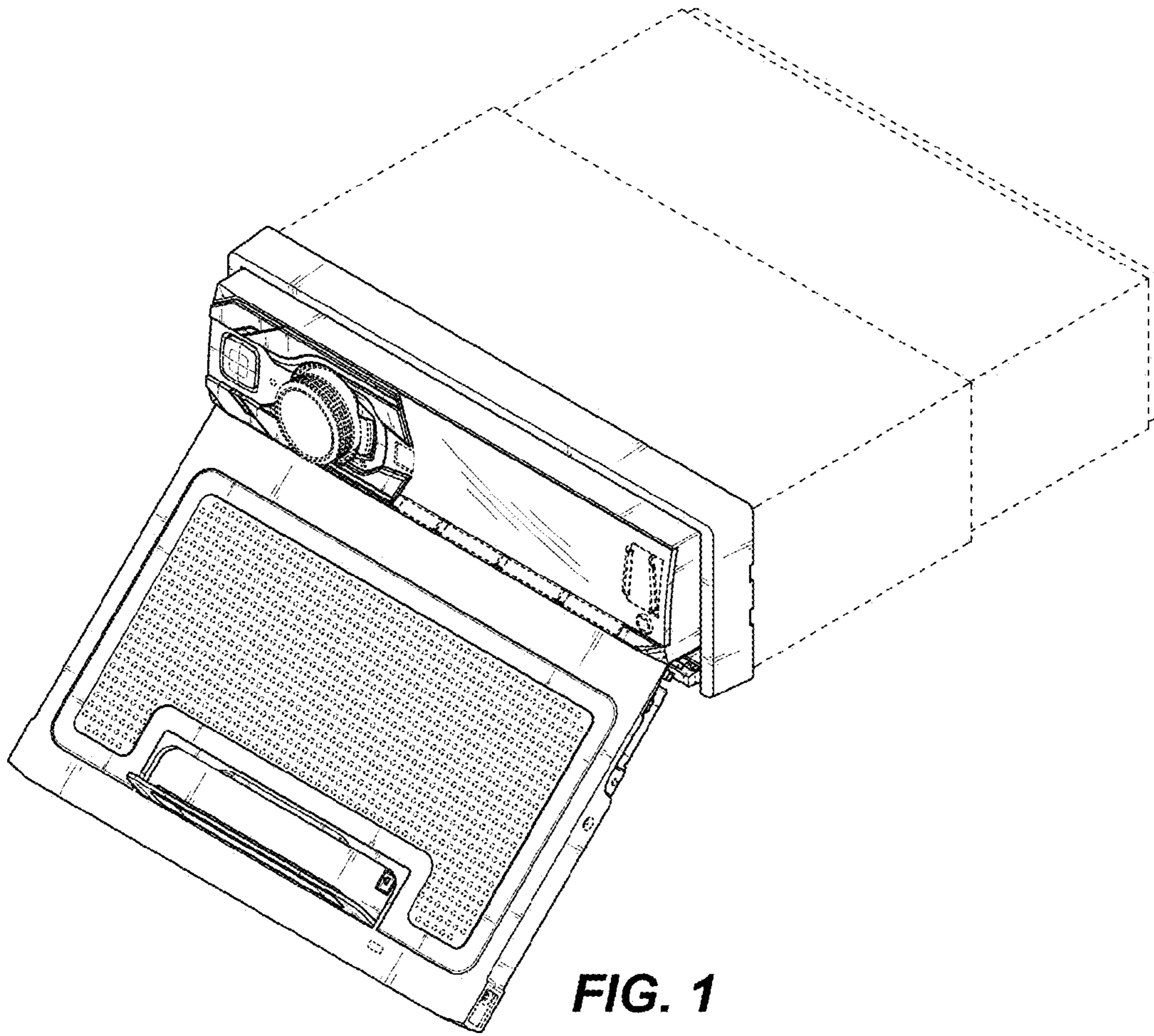


FIG. 1

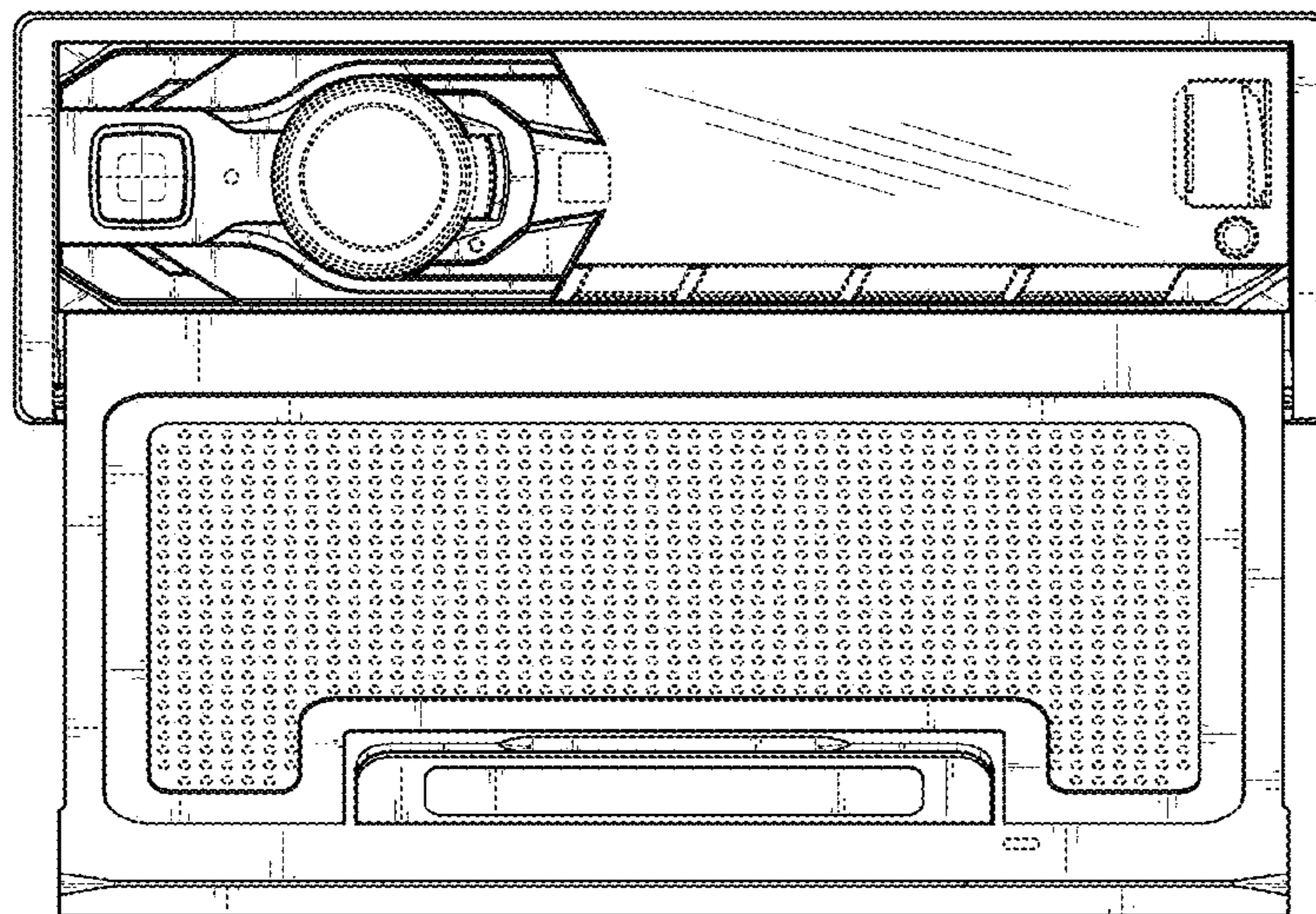


FIG. 2



FIG. 3

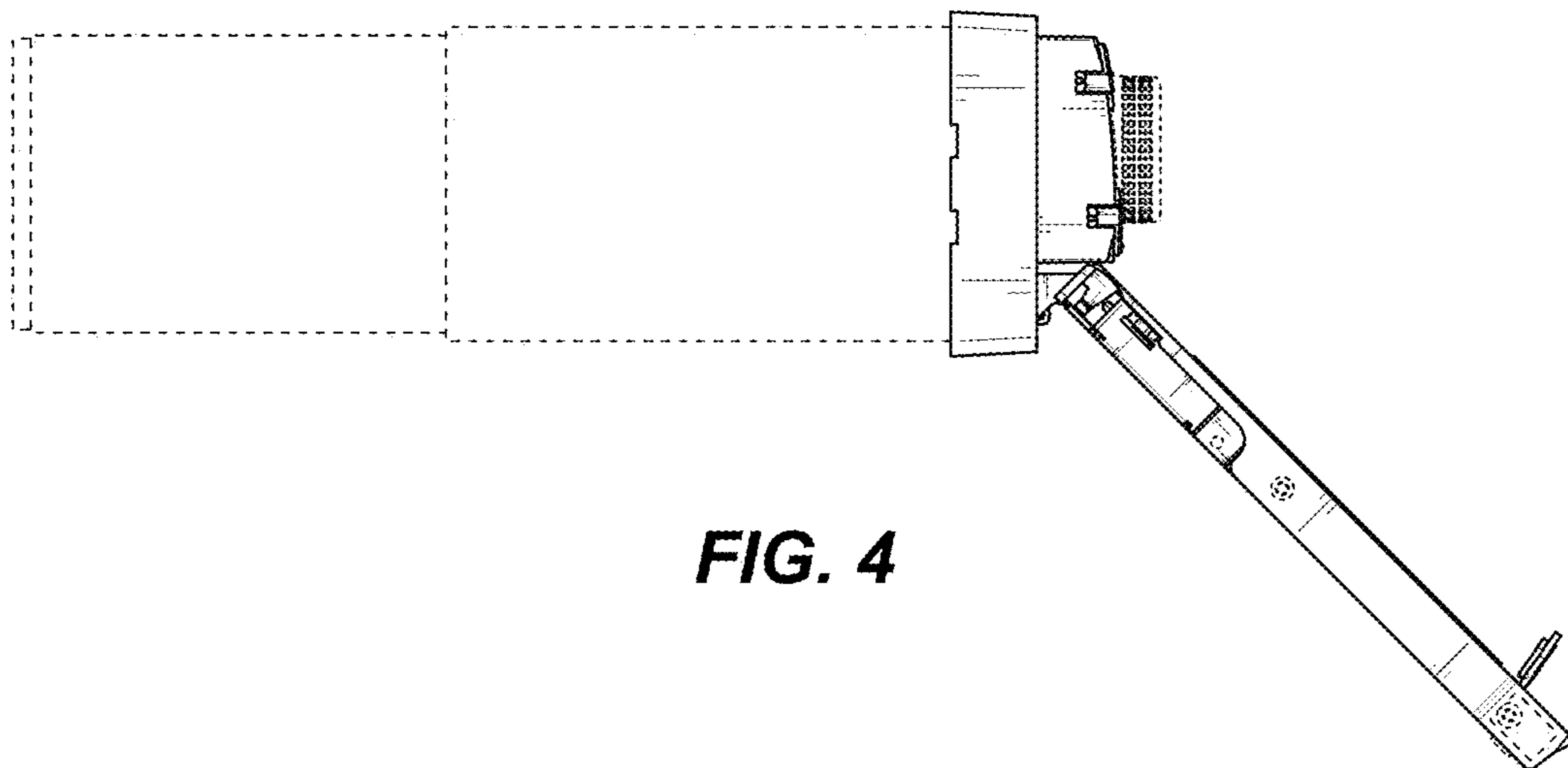


FIG. 4

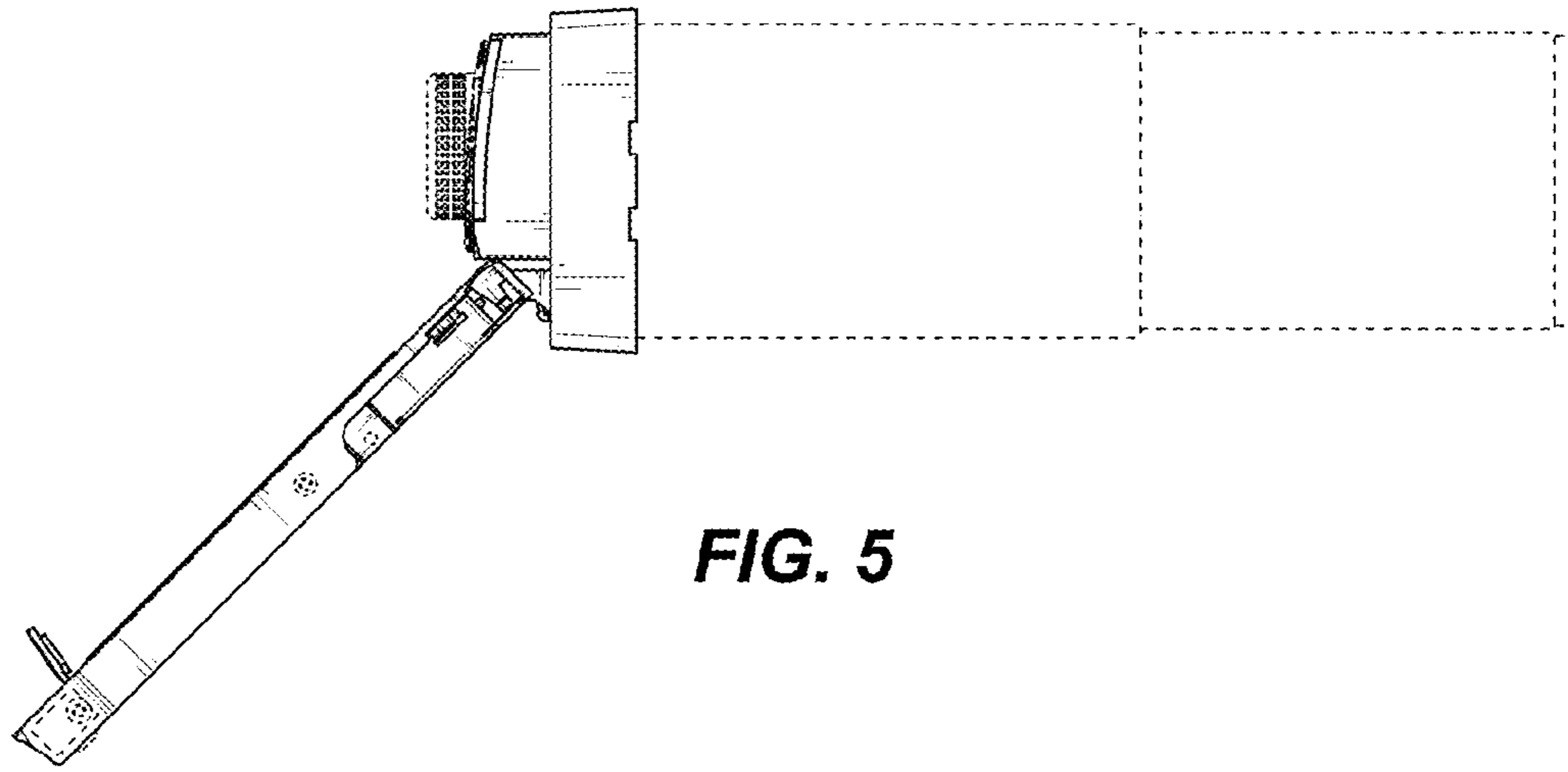


FIG. 5

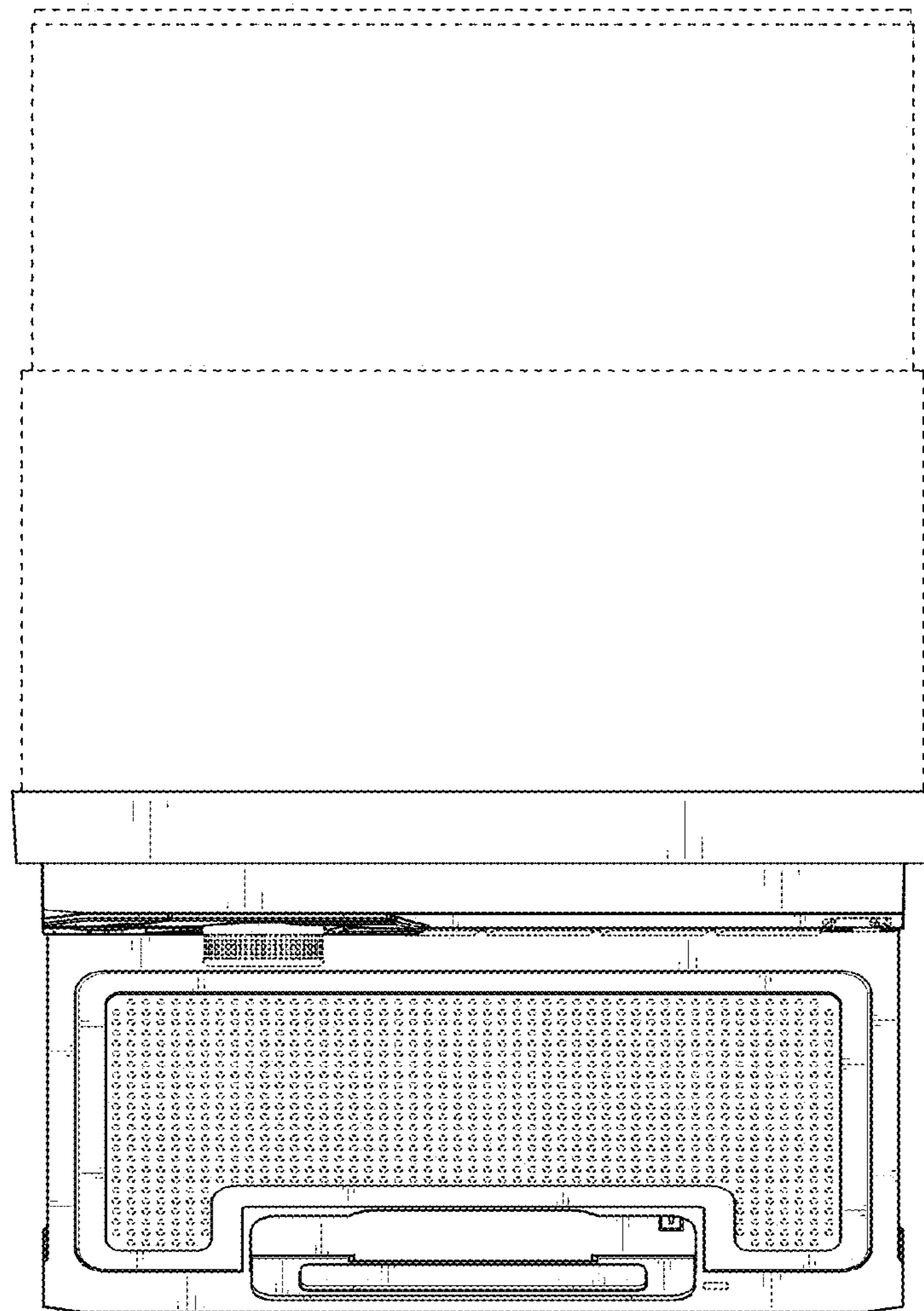


FIG. 6

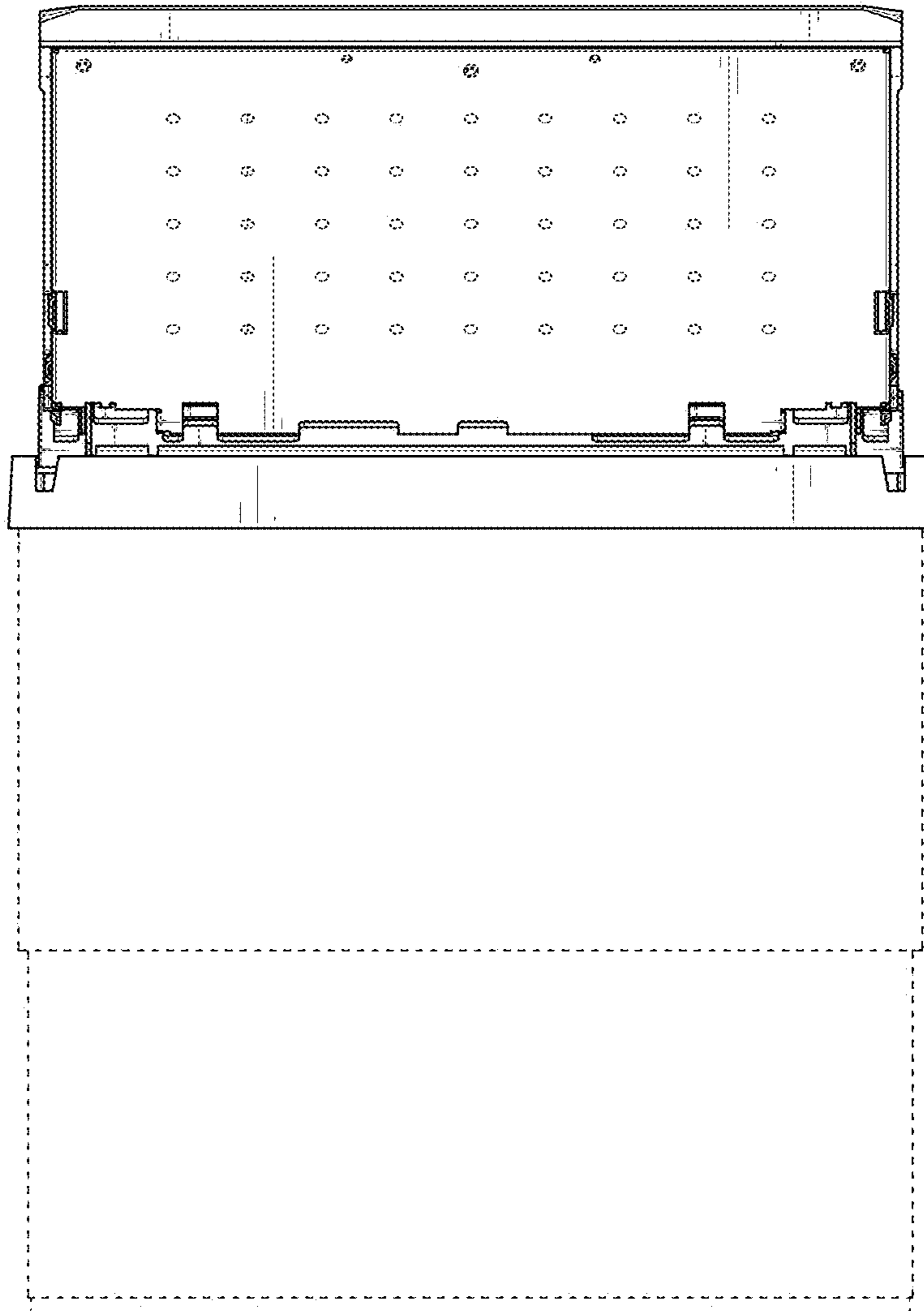
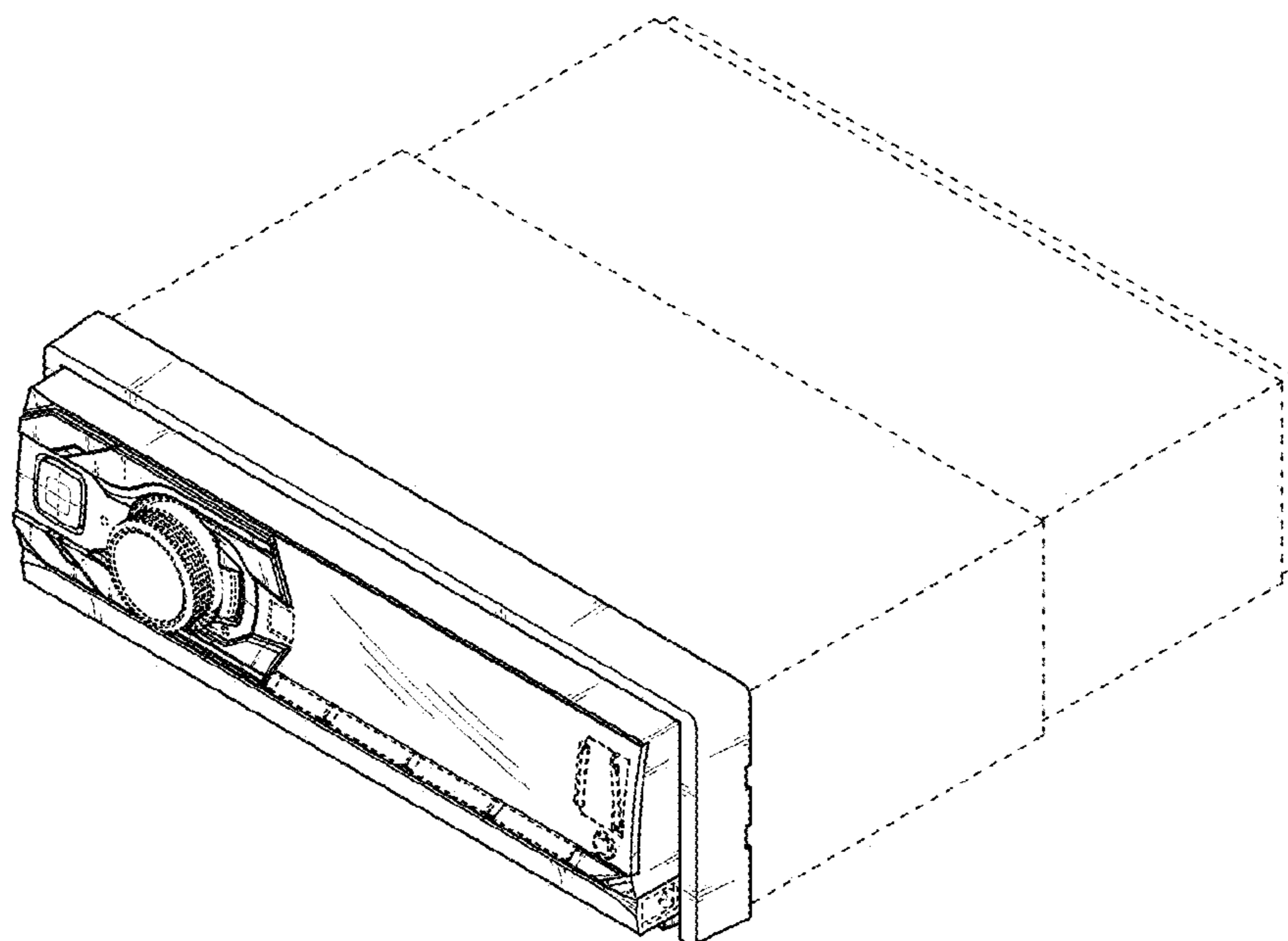
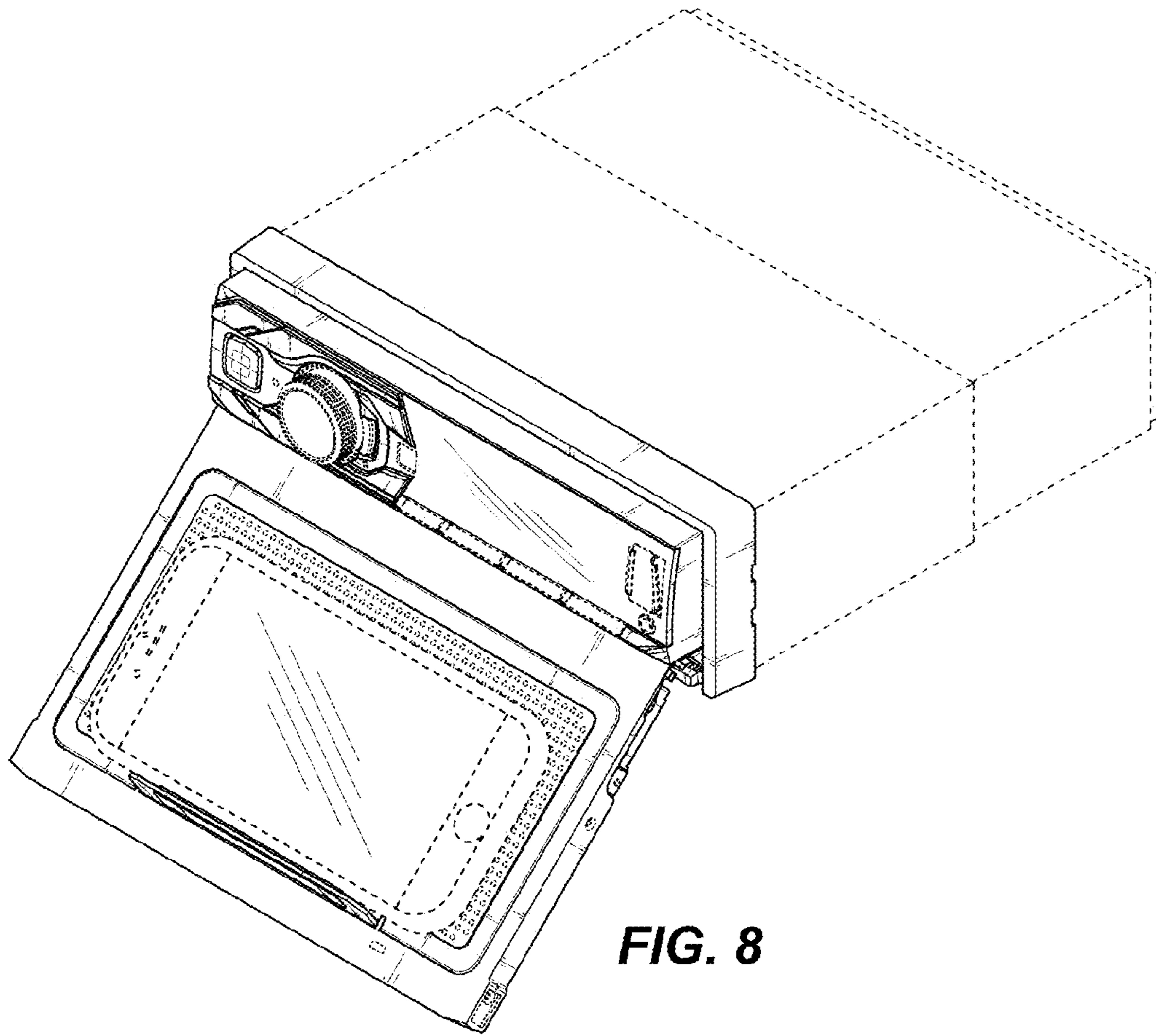


FIG. 7



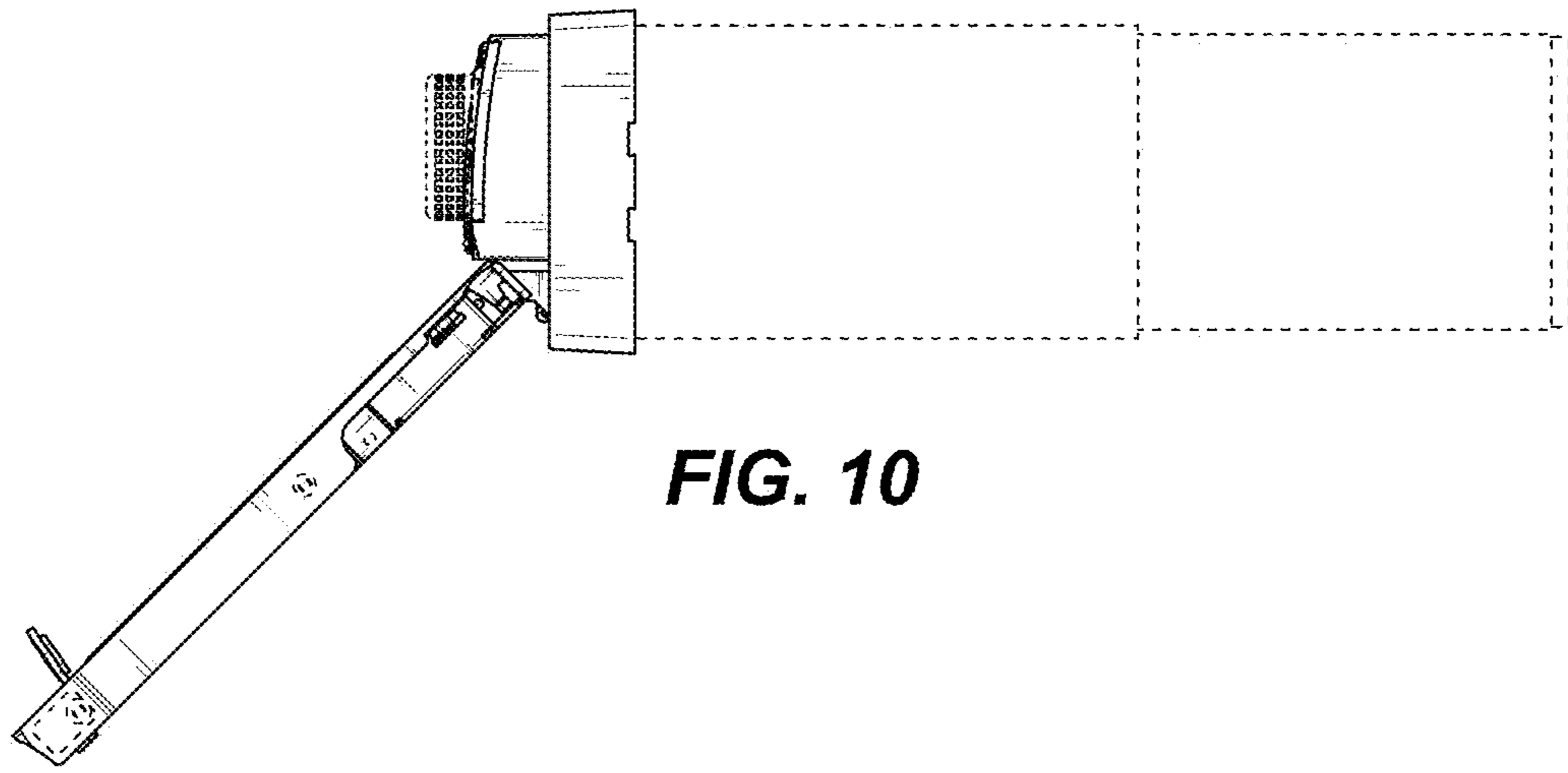


FIG. 10

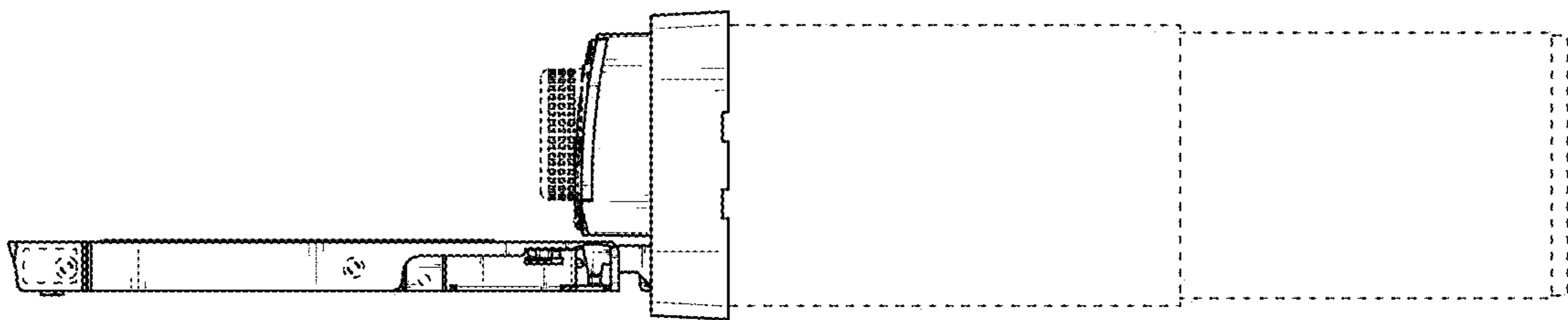


FIG. 11

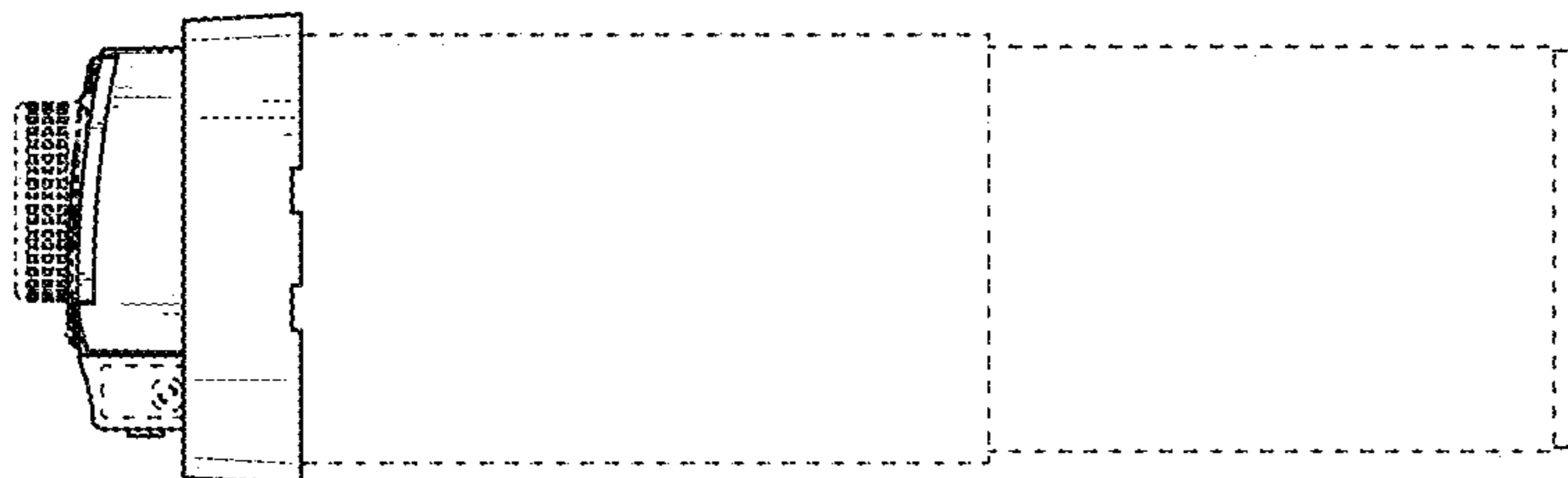


FIG. 12