



US00D882560S

(12) **United States Design Patent**
Liao

(10) **Patent No.:** **US D882,560 S**

(45) **Date of Patent:** **** Apr. 28, 2020**

(54) **CAR MOUNT BRACKET**

D859,286 S * 9/2019 He D12/415
D860,190 S * 9/2019 Liao D14/253
D873,260 S * 1/2020 Dang D14/253

(71) Applicant: **Gopod Group Ltd.**,
Shenzhen/Guangdong (CN)

* cited by examiner

(72) Inventor: **Zhuowen Liao**, Shenzhen (CN)

Primary Examiner — Janice Hallmark

(73) Assignee: **GUANGDONG GOPOD GROUP HOLDING CO., LTD.**, Shenzhen (CN)

(74) *Attorney, Agent, or Firm* — Dorsey & Whitney LLP

(**) Term: **15 Years**

(57) **CLAIM**

(21) Appl. No.: **29/676,785**

The ornamental design for a car mount bracket, as shown and described.

(22) Filed: **Jan. 15, 2019**

(30) **Foreign Application Priority Data**

Dec. 28, 2018 (CN) 2018 3 0764752

(51) **LOC (12) Cl.** **14-03**

(52) **U.S. Cl.**
USPC **D14/253**

(58) **Field of Classification Search**
USPC D14/251-253, 447, 452; D12/415;
D3/218; D8/349, 363; D6/656.11,
D6/656.12, 656.13, 656.15, 656.16, 655,
D6/655.1, 675.1
CPC H04M 1/02; H04M 1/04; B60R 11/02;
F16M 11/00; F16M 11/04; F16M 11/06
See application file for complete search history.

DESCRIPTION

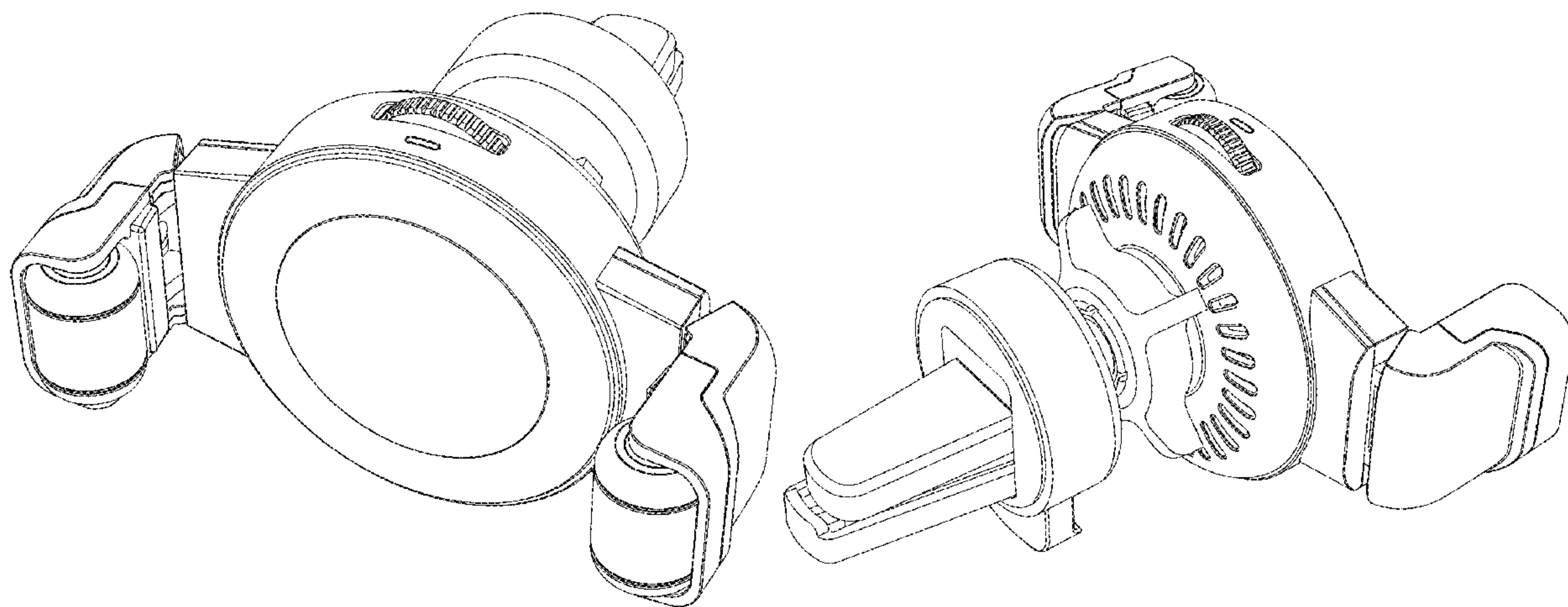
FIG. 1 is a top view of a car mount bracket showing my new design;
FIG. 2 is a left side view thereof;
FIG. 3 is a right side view thereof;
FIG. 4 is a bottom view thereof;
FIG. 5 is a front view thereof;
FIG. 6 is a rear view thereof;
FIG. 7 is a top, rear, right side perspective view thereof;
FIG. 8 is a bottom, front, right side perspective view thereof;
and,
FIG. 9 is a top, front, left side perspective view thereof.
The broken lines shown in the drawings illustrate portions of the car mount bracket that form no part of the claimed design.

(56) **References Cited**

U.S. PATENT DOCUMENTS

D838,267 S * 1/2019 Zhang D14/253

1 Claim, 9 Drawing Sheets



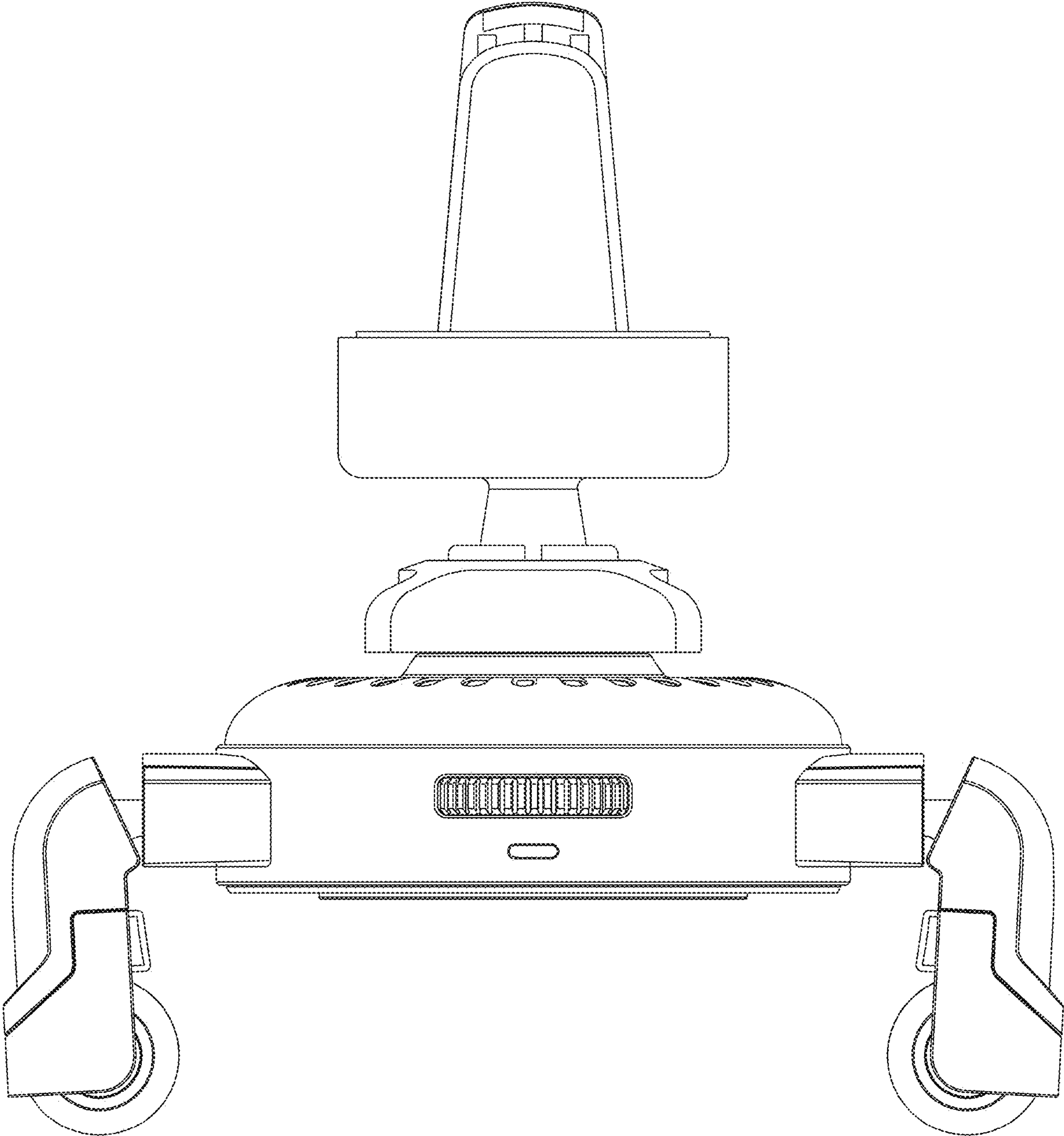


FIG. 1

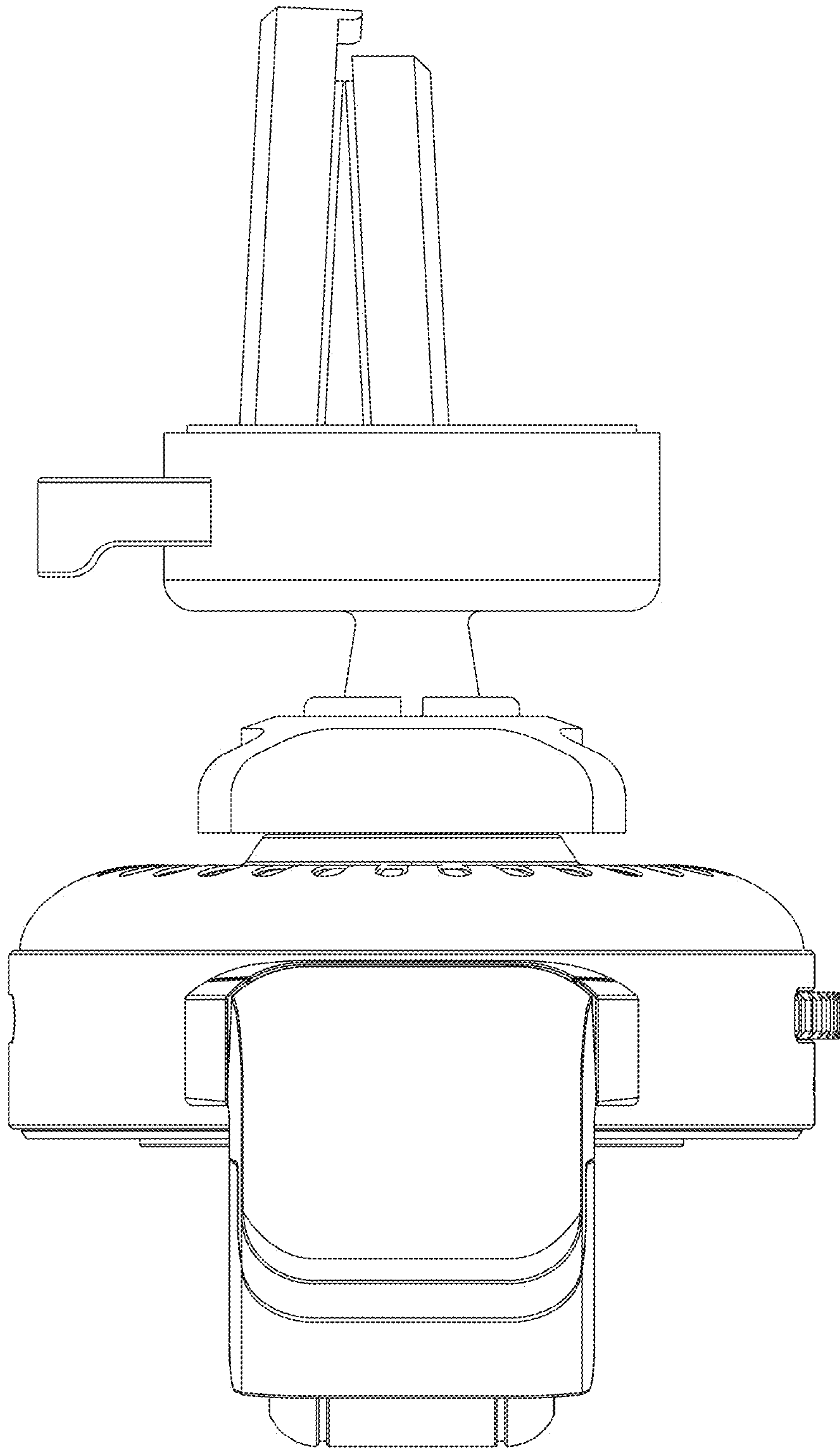


FIG. 2

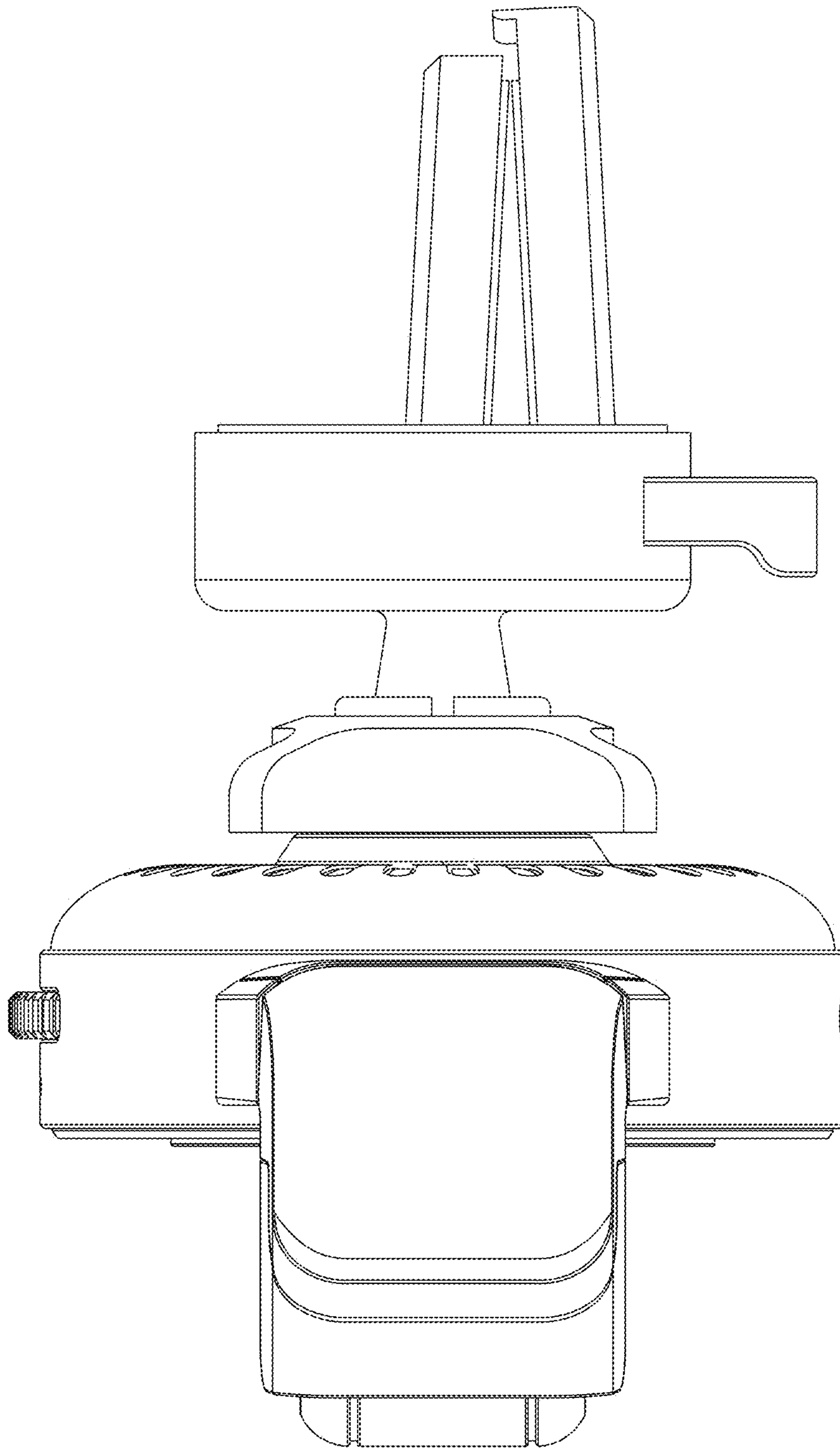


FIG. 3

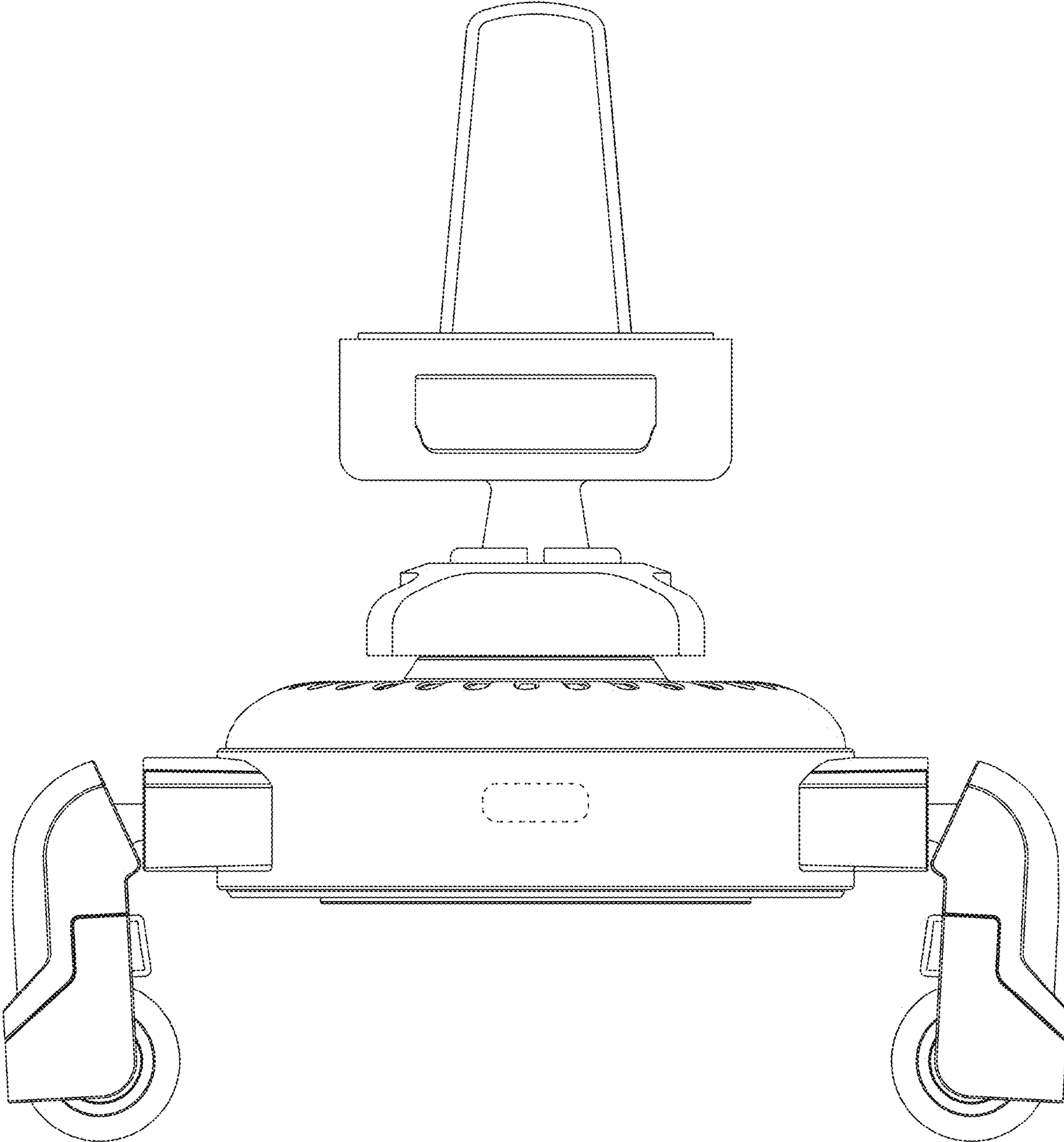


FIG. 4

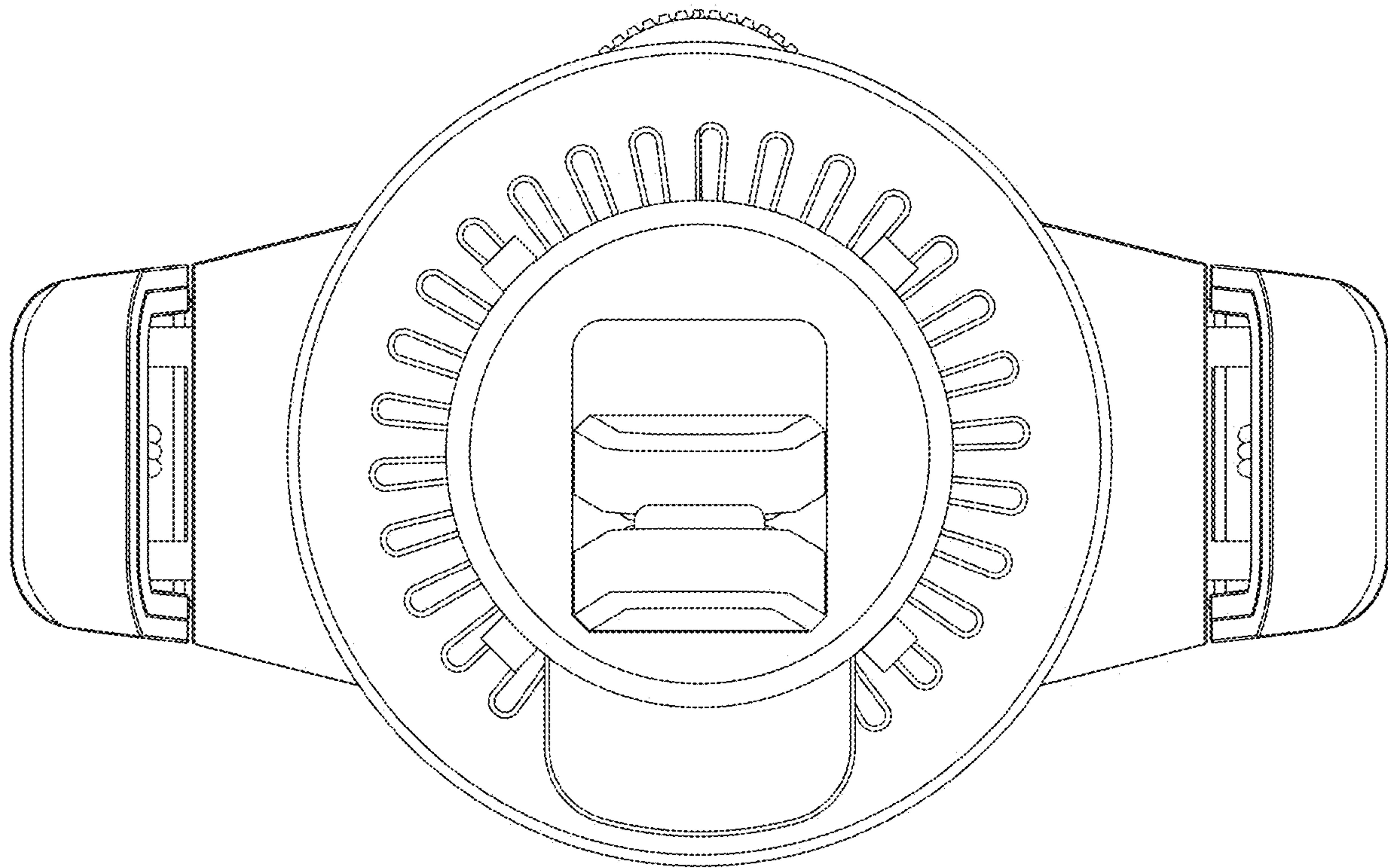


FIG. 5

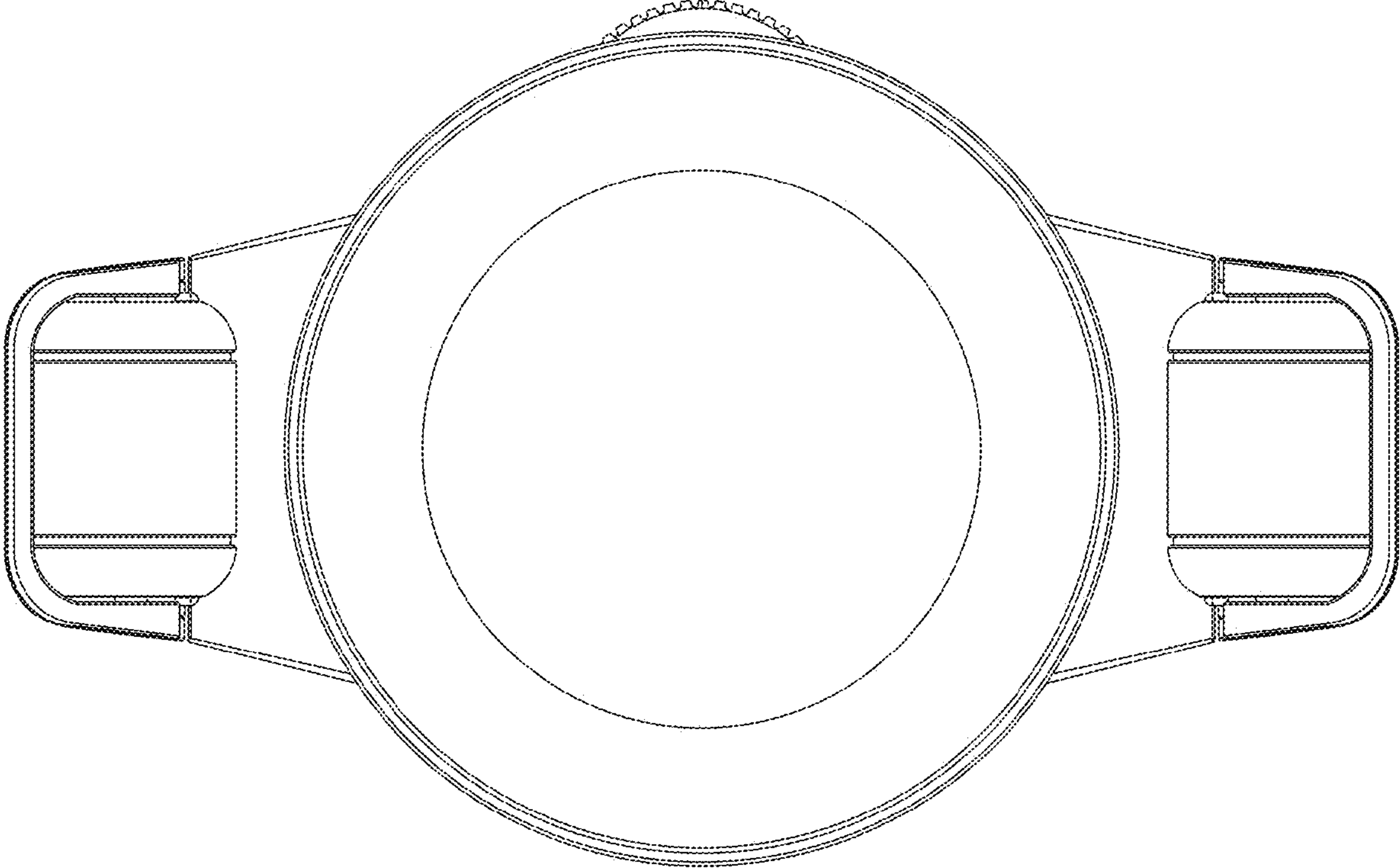


FIG. 6

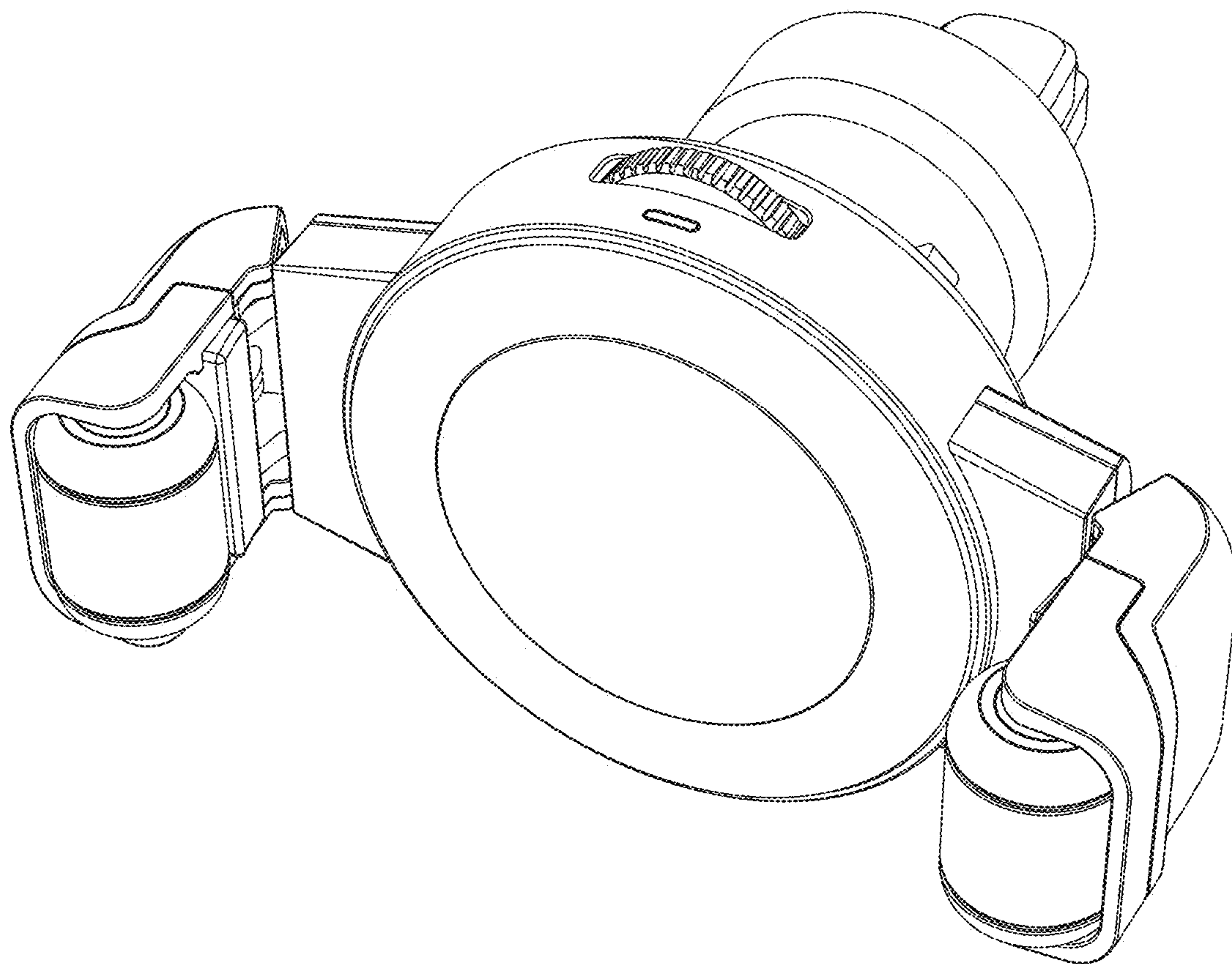


FIG. 7

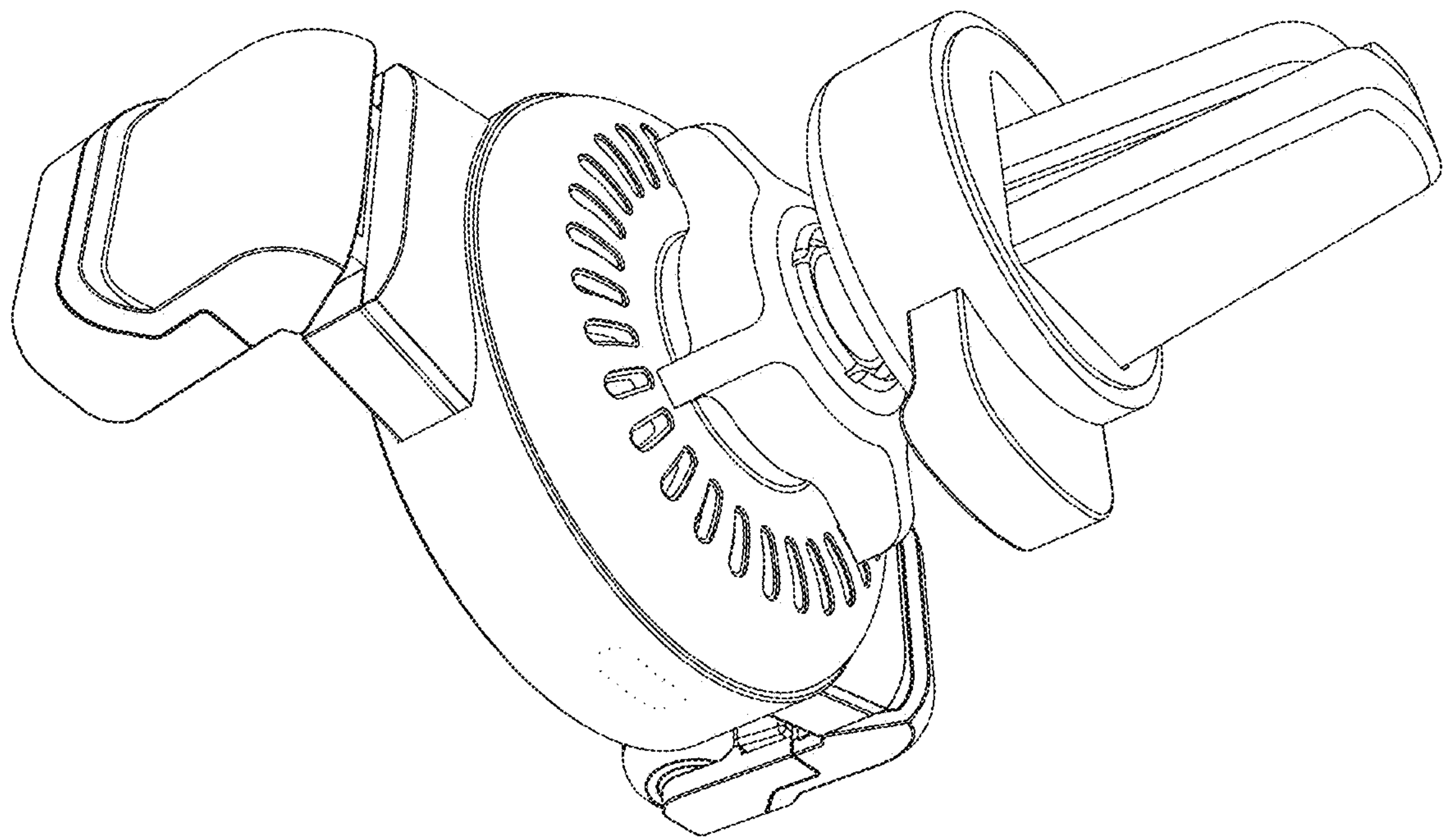


FIG. 8

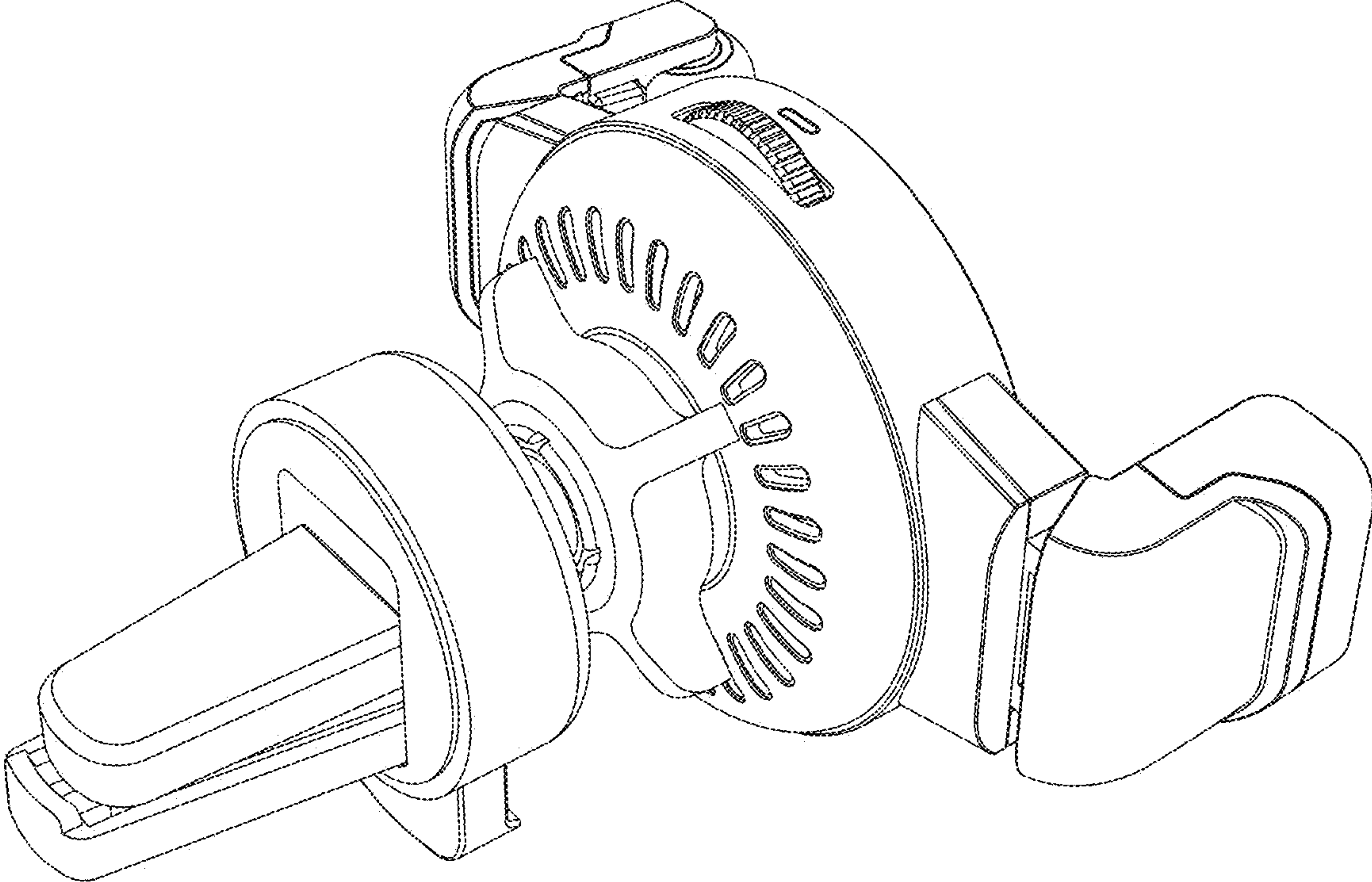


FIG. 9