



US00D882554S

(12) **United States Design Patent**
Hibi

(10) **Patent No.:** **US D882,554 S**

(45) **Date of Patent:** **** Apr. 28, 2020**

(54) **DISPLAY MOUNTING BRACKET**

FOREIGN PATENT DOCUMENTS

(71) Applicant: **Panasonic Intellectual Property Management Co., Ltd.**, Osaka-shi, Osaka (JP)

JP D1353519 S 3/2009

* cited by examiner

(72) Inventor: **Toshiharu Hibi**, Osaka (JP)

Primary Examiner — Randall H Gholson

(73) Assignee: **Panasonic Intellectual Property Management Co., Ltd.**, Osaka (JP)

(74) *Attorney, Agent, or Firm* — Brinks Gilson & Lione

(**) Term: **15 Years**

(57) **CLAIM**

(21) Appl. No.: **29/669,018**

I claim the ornamental design for a display mounting bracket, as shown and described.

(22) Filed: **Nov. 5, 2018**

(30) **Foreign Application Priority Data**

May 29, 2018 (JP) 2018-011624

(51) **LOC (12) Cl.** **14-03**

(52) **U.S. Cl.**
USPC **D14/239**

(58) **Field of Classification Search**
USPC D14/125–134, 239, 371, 136, 374–377, D14/440, 450, 448, 336, 342; 312/7.2; 348/836, 838, 180, 184, 325, 739; 341/12; 248/917–924, 465, 309.2; 345/104, 133, 156, 168, 87, 173; 720/605, 669, 600, 655; 369/99, 197; 455/344, 347; D21/329, 515, 577, 622, D21/333, 433, 448, 452, 450, 331; D6/477, 479, 300; 273/148 B; 446/484, 446/175, 356; D10/15, 26; 361/801, 361/802, 754, 728; 257/88
CPC H04N 1/00; G09F 9/301
See application file for complete search history.

DESCRIPTION

FIG. 1 is a perspective view of a display mounting bracket of the present invention;
FIG. 2 is a front view of thereof;
FIG. 3 is a rear view thereof;
FIG. 4 is a first side view thereof;
FIG. 5 is a second side view thereof;
FIG. 6 is a top view thereof;
FIG. 7 is a bottom view thereof;
FIG. 8 is a front perspective view thereof with two lines of display side mounting brackets and a wall side mounting bracket being separately shown;
FIG. 9 is a rear perspective view thereof with two lines of display side mounting brackets and a wall side mounting bracket being separately shown; and,
FIG. 10 is a perspective view thereof with the bracket being extended vertically.

The broken lines show parts of the frame unit for the display mounting bracket that represent unclaimed subject matter and form no part of the claimed design. Additionally, the unevenly broken lines in the drawings define the limits of the claimed design.

(56) **References Cited**

U.S. PATENT DOCUMENTS

D553,483 S 10/2007 Grey
8,128,049 B2 * 3/2012 Walters H04N 5/64
248/339
D811,376 S * 2/2018 Pei D14/239

1 Claim, 10 Drawing Sheets

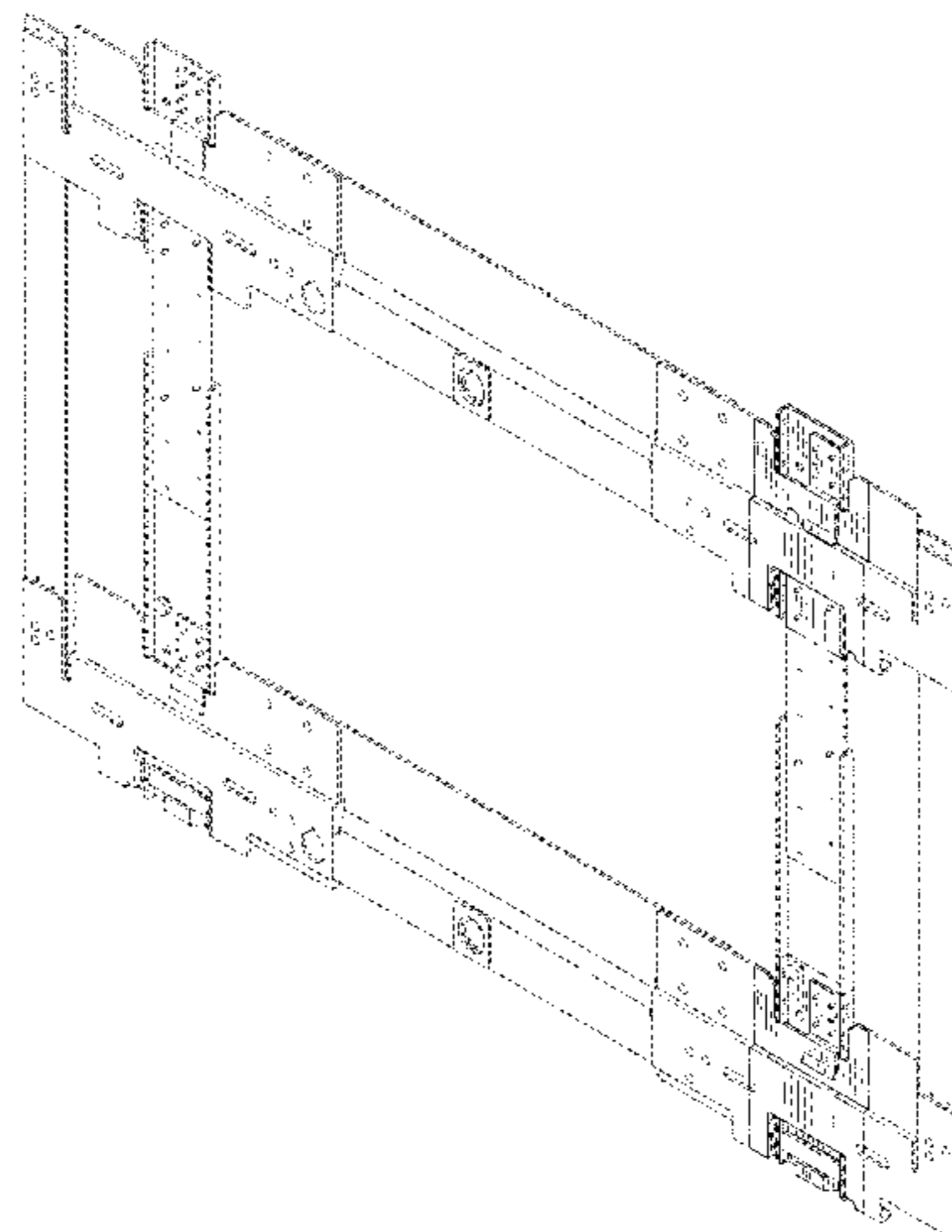


FIG. 1

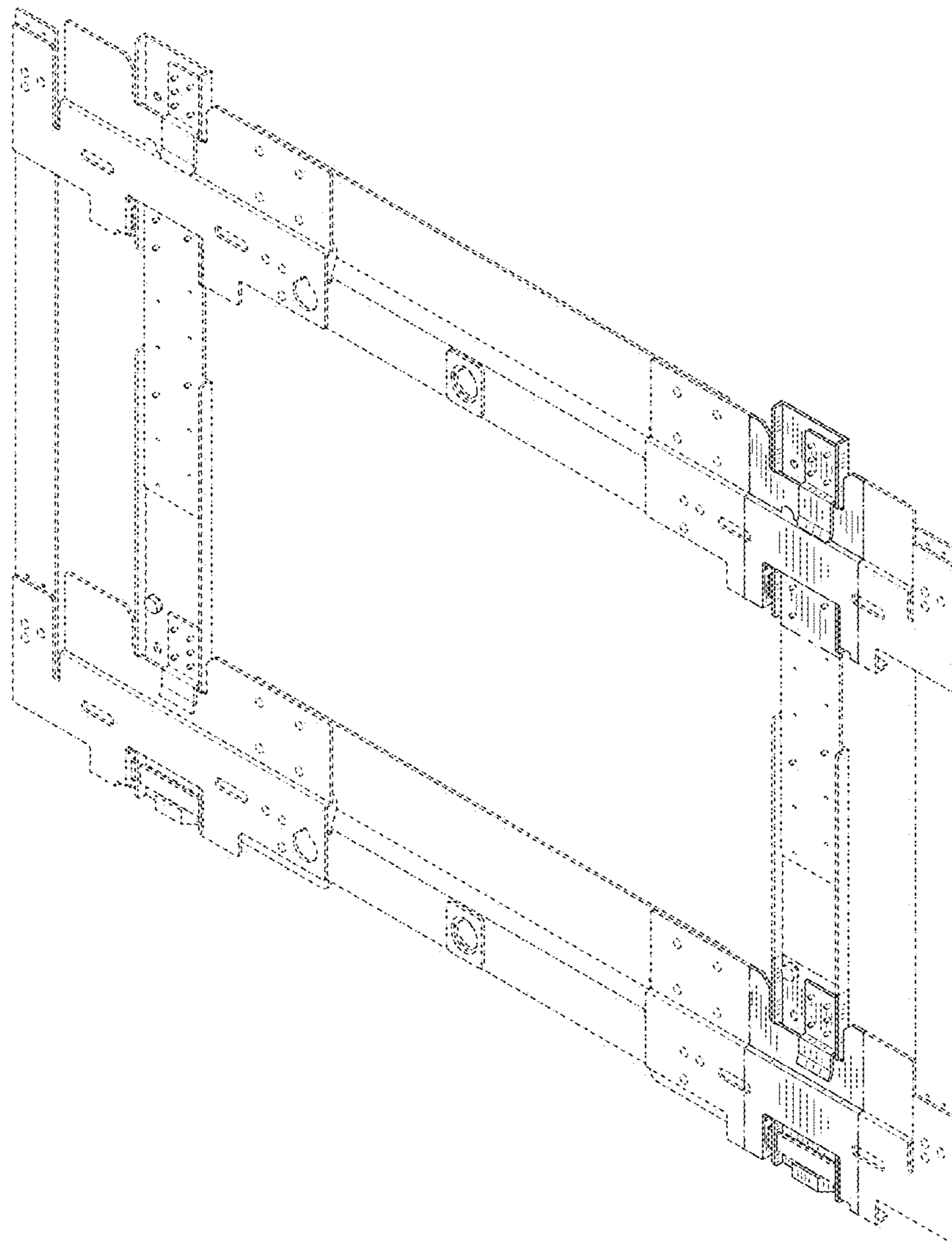


FIG. 2

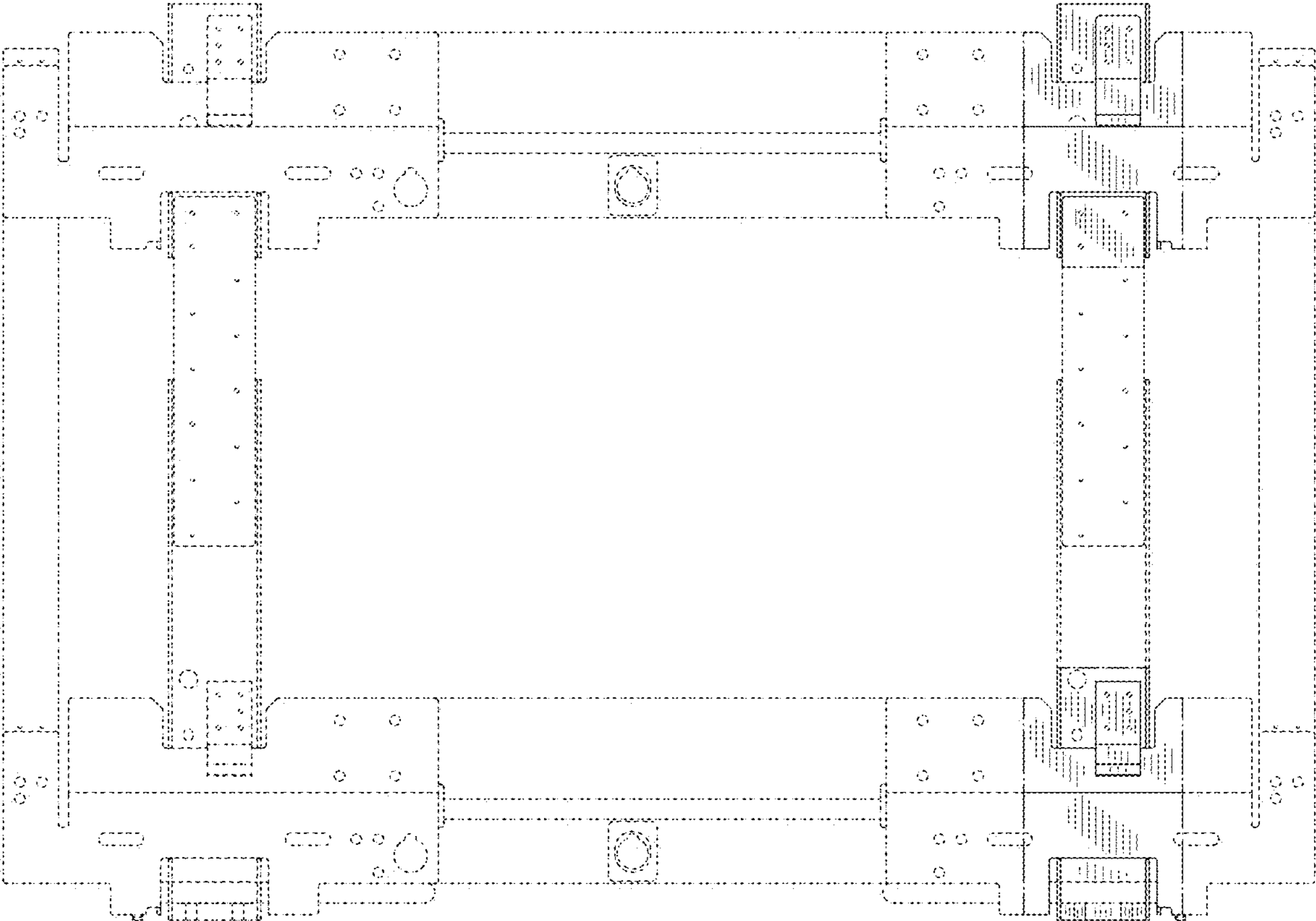


FIG. 3

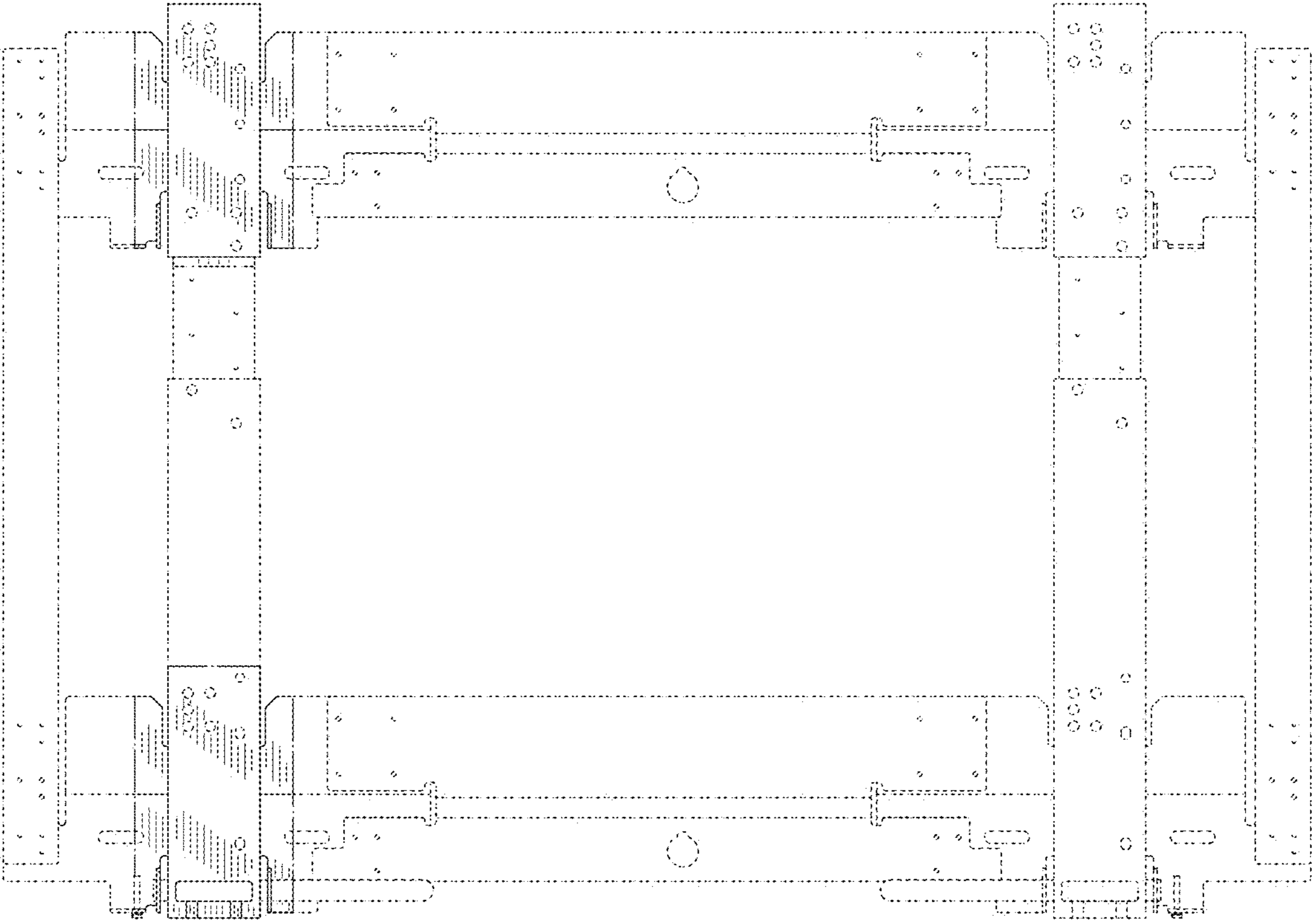


FIG. 4

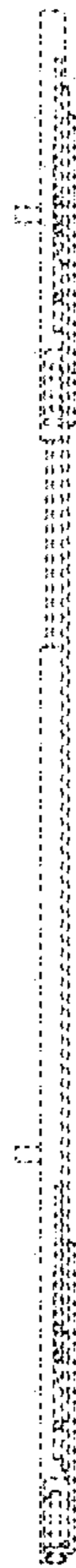


FIG. 5

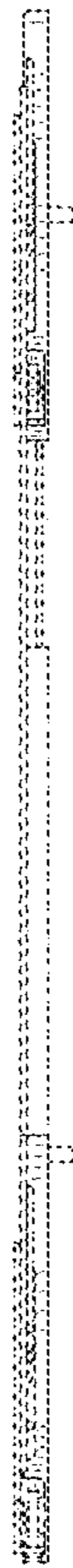


FIG. 6

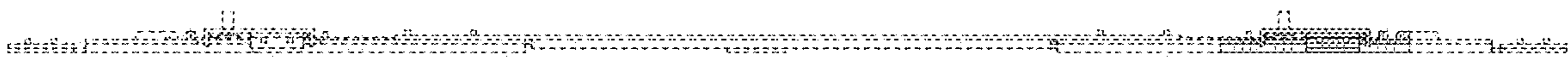


FIG. 7

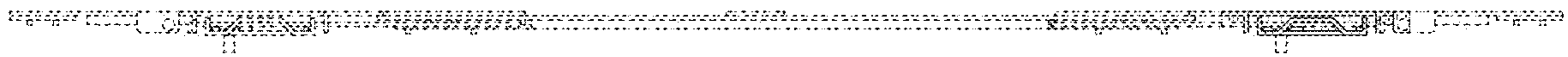


FIG. 8

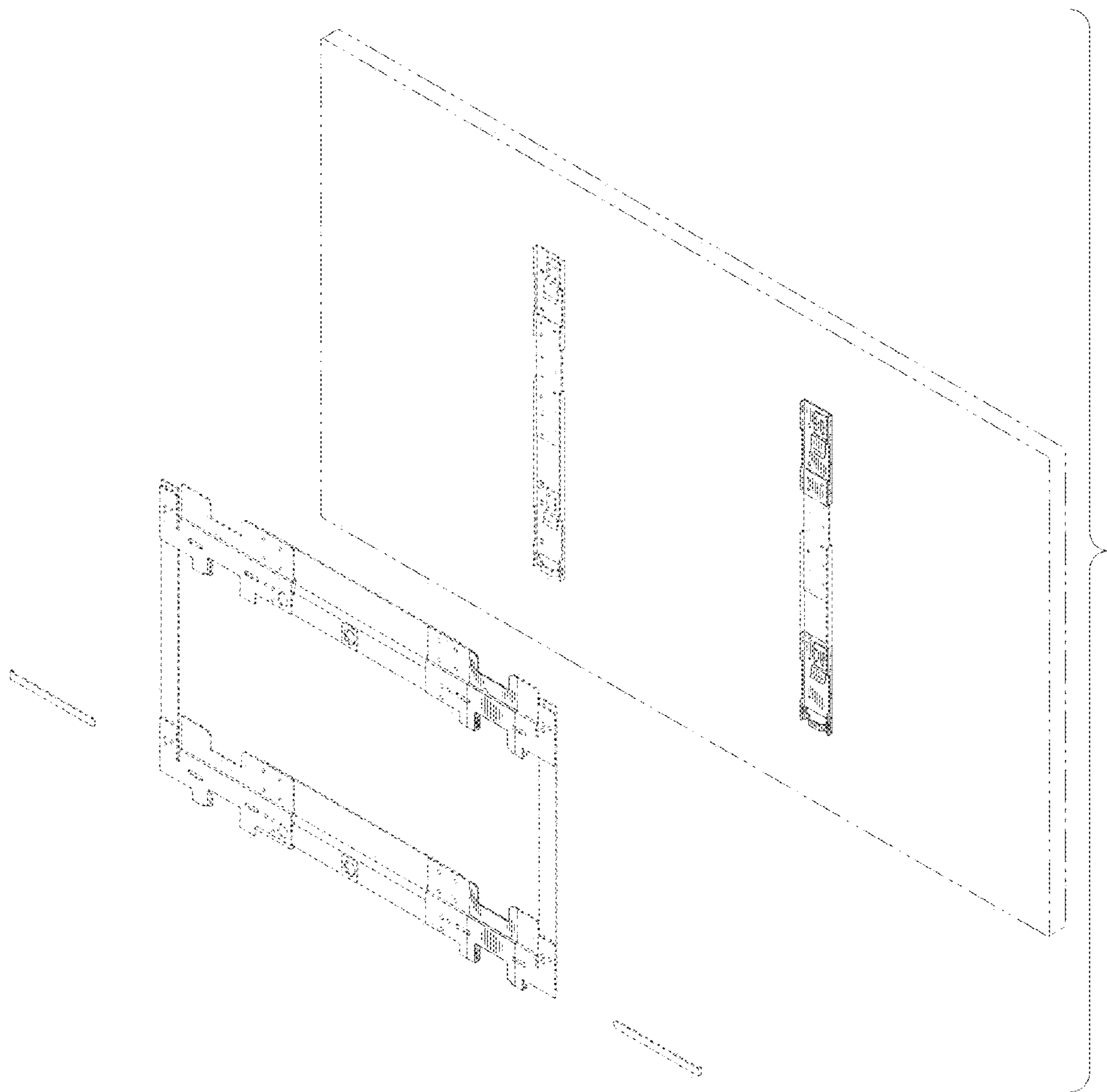


FIG. 9

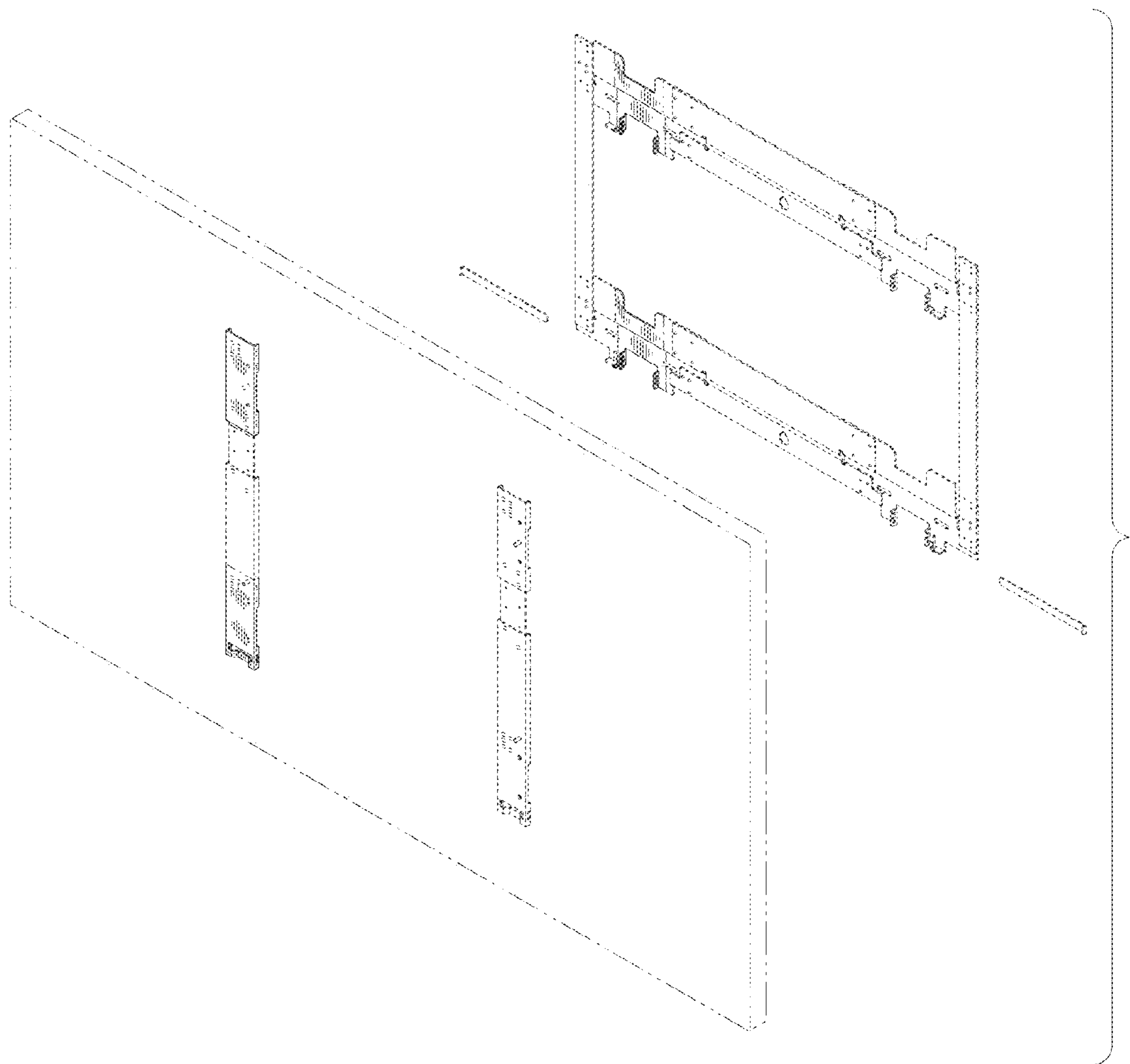


FIG. 10

