



US00D882553S

(12) **United States Design Patent**
Wu

(10) **Patent No.:** **US D882,553 S**

(45) **Date of Patent:** **** Apr. 28, 2020**

(54) **EARPHONES**

(71) Applicant: **SHENZHEN XINZHENG YU TECHNOLOGY CO., LTD**, Shenzhen (CN)

(72) Inventor: **Junhua Wu**, Shenzhen (CN)

(73) Assignee: **SHENZHEN XINZHENG YU TECHNOLOGY CO., LTD**, Shenzhen (CN)

(**) Term: **15 Years**

(21) Appl. No.: **29/718,998**

(22) Filed: **Dec. 31, 2019**

(30) **Foreign Application Priority Data**

Dec. 6, 2019 (EM) 007343660-0002

(51) **LOC (12) Cl.** **14-01**

(52) **U.S. Cl.**
USPC **D14/223; D14/205**

(58) **Field of Classification Search**
USPC D14/223, 205; D9/721, 496; 181/129, 181/130, 135; 379/430, 431; 381/380, 381/381, 379, 370; 455/90.3, 575.1, 455/569.1

CPC H04R 1/10; H04R 25/00; H04R 1/1066; H04R 5/033; H04R 5/0335; H04R 1/1058; H04R 1/105; H04R 1/1091

See application file for complete search history.

(56) **References Cited**

U.S. PATENT DOCUMENTS

- 5,410,608 A * 4/1995 Lucey H04R 1/083
381/360
- 6,084,976 A * 7/2000 Lin H04R 1/1016
181/129
- D430,146 S * 8/2000 Lin D14/223

- D431,553 S * 10/2000 Suzuki D14/223
- D477,822 S * 7/2003 Komiyama D14/223
- D529,901 S * 10/2006 Ohta D14/223
- D550,657 S 9/2007 Gan et al.
- D554,627 S * 11/2007 Gondo D14/223
- D555,152 S * 11/2007 Wang D14/223
- D557,689 S * 12/2007 Huang D14/223
- D566,099 S * 4/2008 Komiyama D14/206
- D566,687 S * 4/2008 Duarte D14/205
- D567,217 S * 4/2008 Kamo D14/205
- D572,242 S * 7/2008 Yang D14/205
- D573,978 S * 7/2008 Ledbetter D14/205

(Continued)

FOREIGN PATENT DOCUMENTS

- EM 004418838-0001 * 10/2017
- EM 007481684-0001 * 1/2020

Primary Examiner — Paula Allen Greene

(57) **CLAIM**

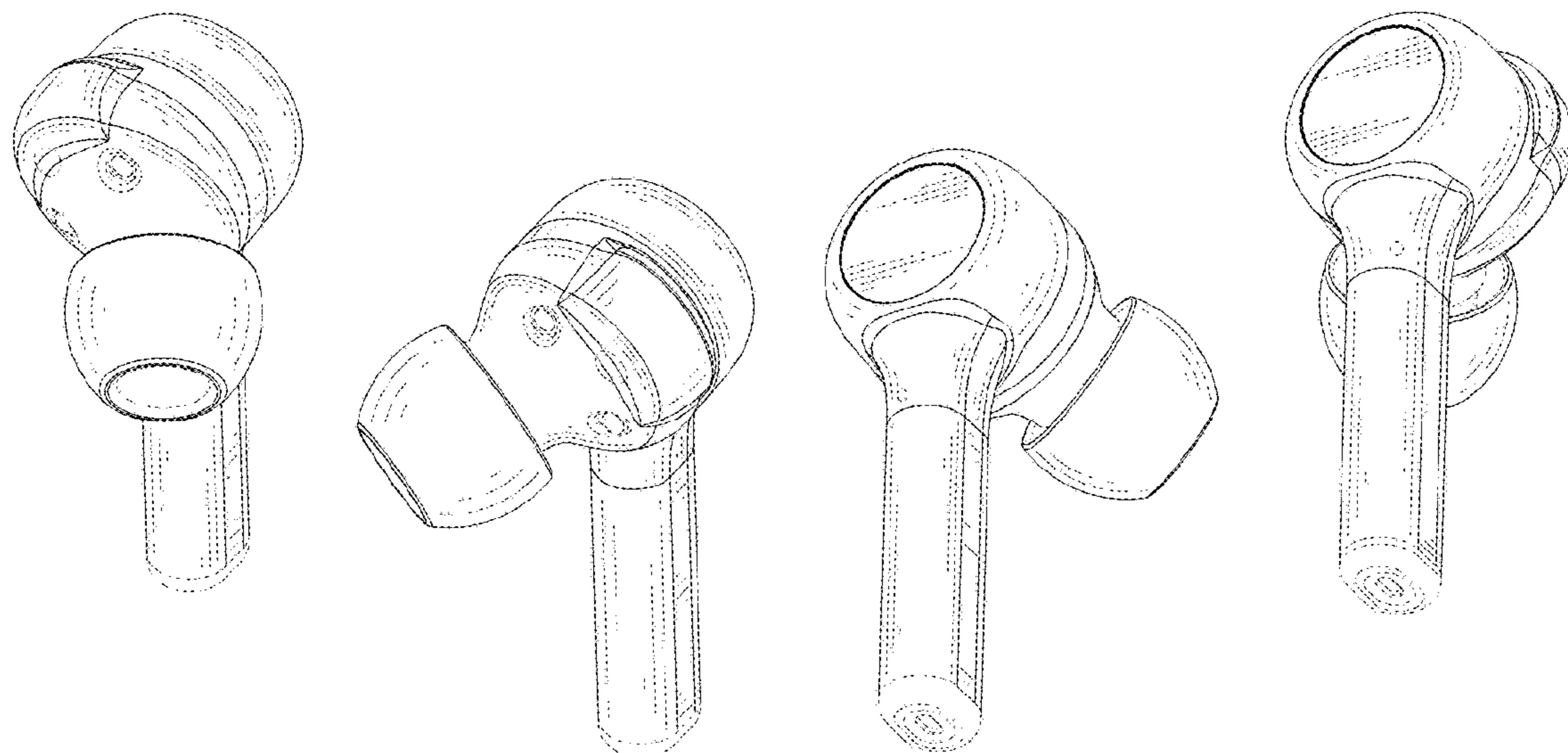
The ornamental design for earphones, as shown and described.

DESCRIPTION

FIG. 1 is a perspective view of earphones showing my new design;
 FIG. 2 is another perspective view thereof;
 FIG. 3 is a front elevational view thereof;
 FIG. 4 is a rear elevational view thereof;
 FIG. 5 is a left side elevational view thereof;
 FIG. 6 is a right side elevational view thereof;
 FIG. 7 is a top plan view thereof;
 FIG. 8 is a bottom plan view thereof; and,
 FIG. 9 is a perspective view of the earphones where the earphones are received in a case.

The broken lines immediately adjacent the shaded areas represent the bounds of the claimed design while all other broken lines are directed to environment and are for illustrative purposes only. The broken lines from no part of the claimed design.

1 Claim, 9 Drawing Sheets



(56)

References Cited

U.S. PATENT DOCUMENTS

D576,154 S * 9/2008 Ledbetter D14/223
 D579,005 S * 10/2008 Wilhelmsen D14/223
 D590,375 S * 4/2009 Komiyama D14/223
 D593,537 S * 6/2009 Arimoto D14/205
 D594,441 S * 6/2009 Lee D14/205
 D598,003 S * 8/2009 Park D14/149
 D598,894 S * 8/2009 Masuda D14/205
 D604,272 S * 11/2009 Kitayama D14/223
 D618,211 S * 6/2010 Oguro D14/205
 D623,171 S * 9/2010 Chen D14/223
 D626,117 S * 10/2010 Lowry D14/223
 D666,581 S * 9/2012 Perez D14/223
 8,391,536 B2 * 3/2013 Hashimoto H04R 1/1016
 381/370
 D679,267 S * 4/2013 Lee D14/223
 D683,332 S * 5/2013 Lee D14/223
 8,447,061 B2 * 5/2013 Lee H04R 1/1091
 381/181
 D686,597 S * 7/2013 Lee D14/223
 D698,761 S * 2/2014 Bao D14/223
 D701,195 S * 3/2014 Katsumata D14/223
 8,712,087 B2 * 4/2014 Ozawa H04R 1/345
 181/130
 D711,356 S * 8/2014 Yang D14/223
 D712,884 S * 9/2014 Krauss D14/205
 D718,286 S * 11/2014 Yang D14/223
 D718,744 S * 12/2014 Thompson D14/223

D729,775 S * 5/2015 Seo D14/205
 D732,508 S * 6/2015 Funayama D14/223
 D733,101 S * 6/2015 Pi D14/223
 D735,169 S * 7/2015 Shieh D14/223
 D740,255 S * 10/2015 Samrelius D14/206
 D740,786 S 10/2015 Huang et al.
 D746,792 S * 1/2016 Kim D14/205
 D760,202 S * 6/2016 Hsieh D14/223
 D762,616 S * 8/2016 Hsieh D14/205
 D764,445 S * 8/2016 Czaniecki D14/223
 D770,412 S * 11/2016 Son D14/205
 D770,426 S * 11/2016 LaBerge H04R 1/1016
 D14/223
 D775,108 S * 12/2016 Hsieh D14/223
 D777,710 S * 1/2017 Palmborg D14/223
 D778,268 S * 2/2017 Hsieh D14/223
 D780,155 S * 2/2017 Levine D14/205
 D789,909 S * 6/2017 Hung D14/223
 D831,619 S 10/2018 Matoba
 D848,982 S * 5/2019 Kim D14/223
 D852,171 S * 6/2019 Cai D14/223
 D860,975 S * 9/2019 Briggs D14/223
 D869,431 S * 12/2019 Czaniecki D14/205
 D869,445 S * 12/2019 Hu D14/223
 D872,064 S * 1/2020 Cai D14/223
 D872,065 S * 1/2020 Cai D14/223
 D872,711 S * 1/2020 Hu D14/223
 2011/0249856 A1 * 10/2011 Takei H04R 1/1016
 381/380

* cited by examiner

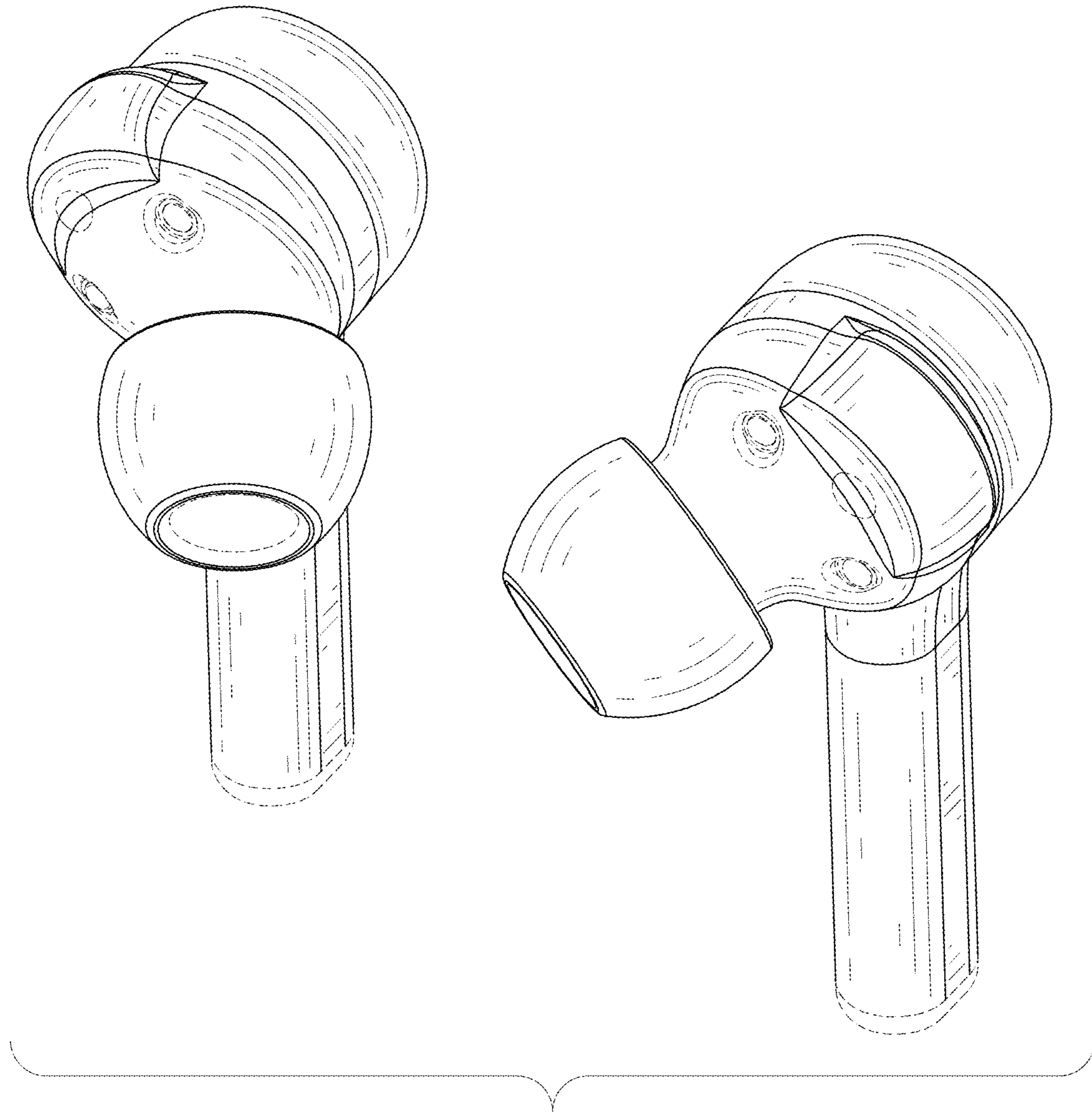


FIG. 1



FIG. 2

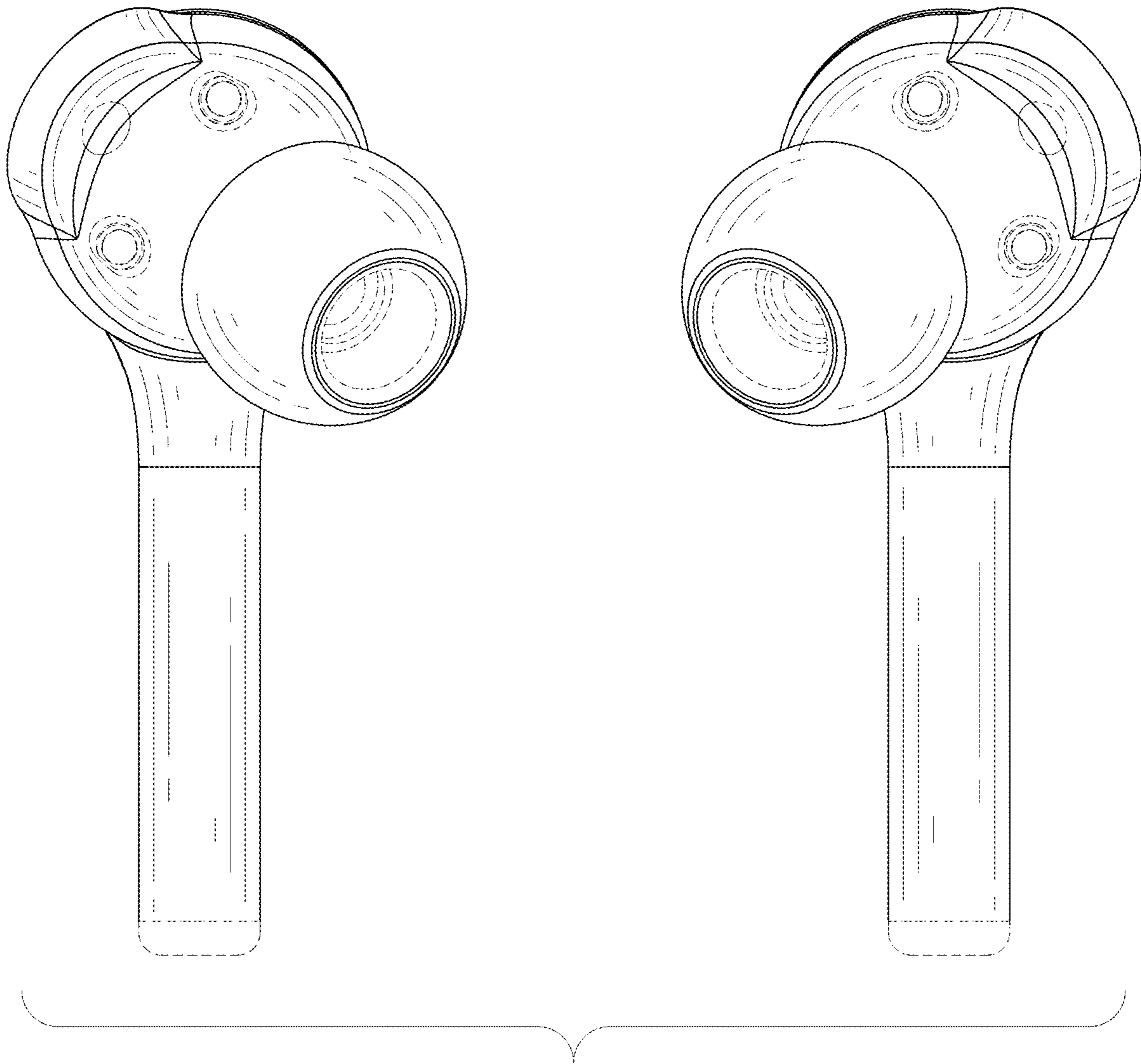


FIG. 3

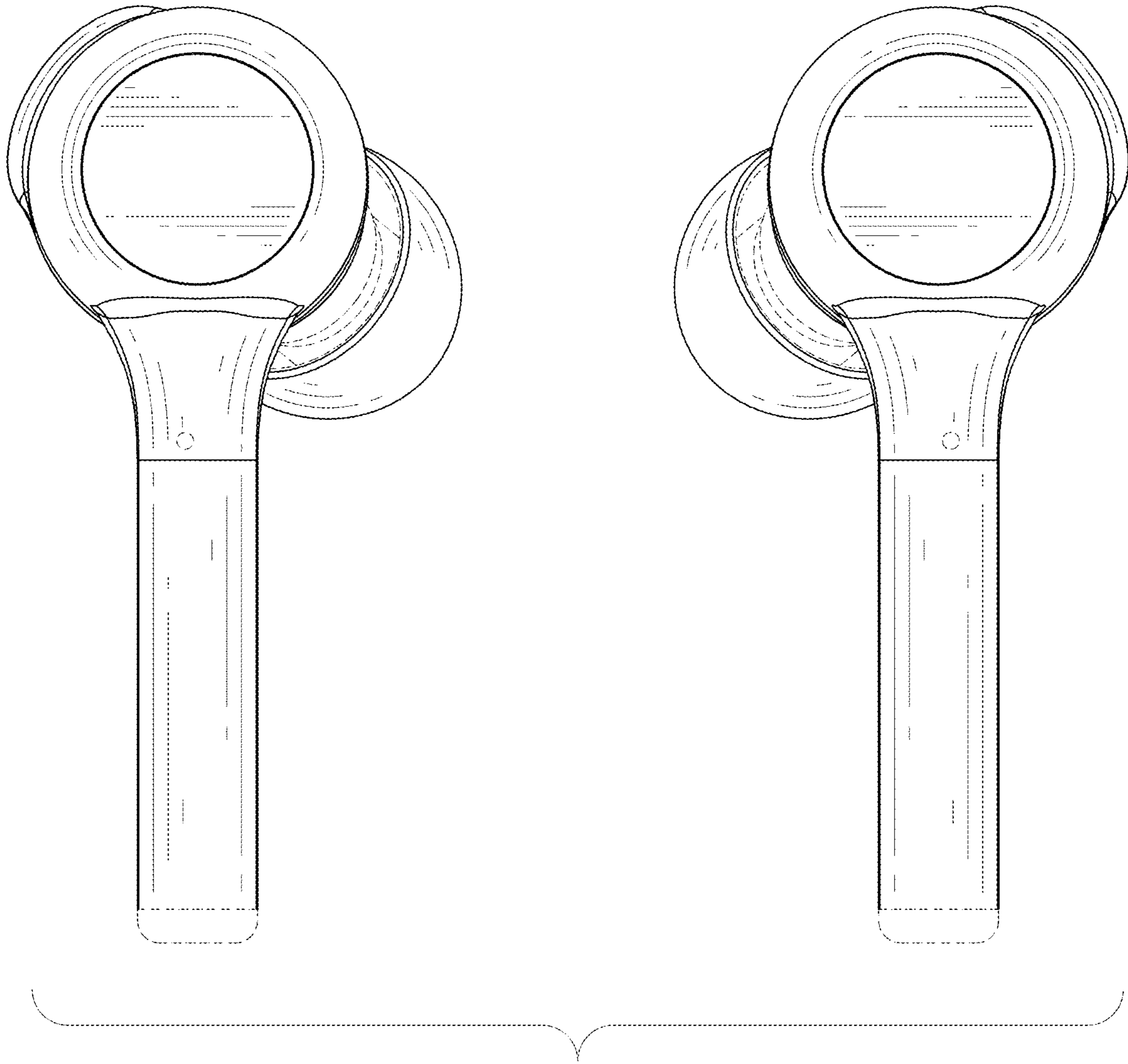


FIG. 4

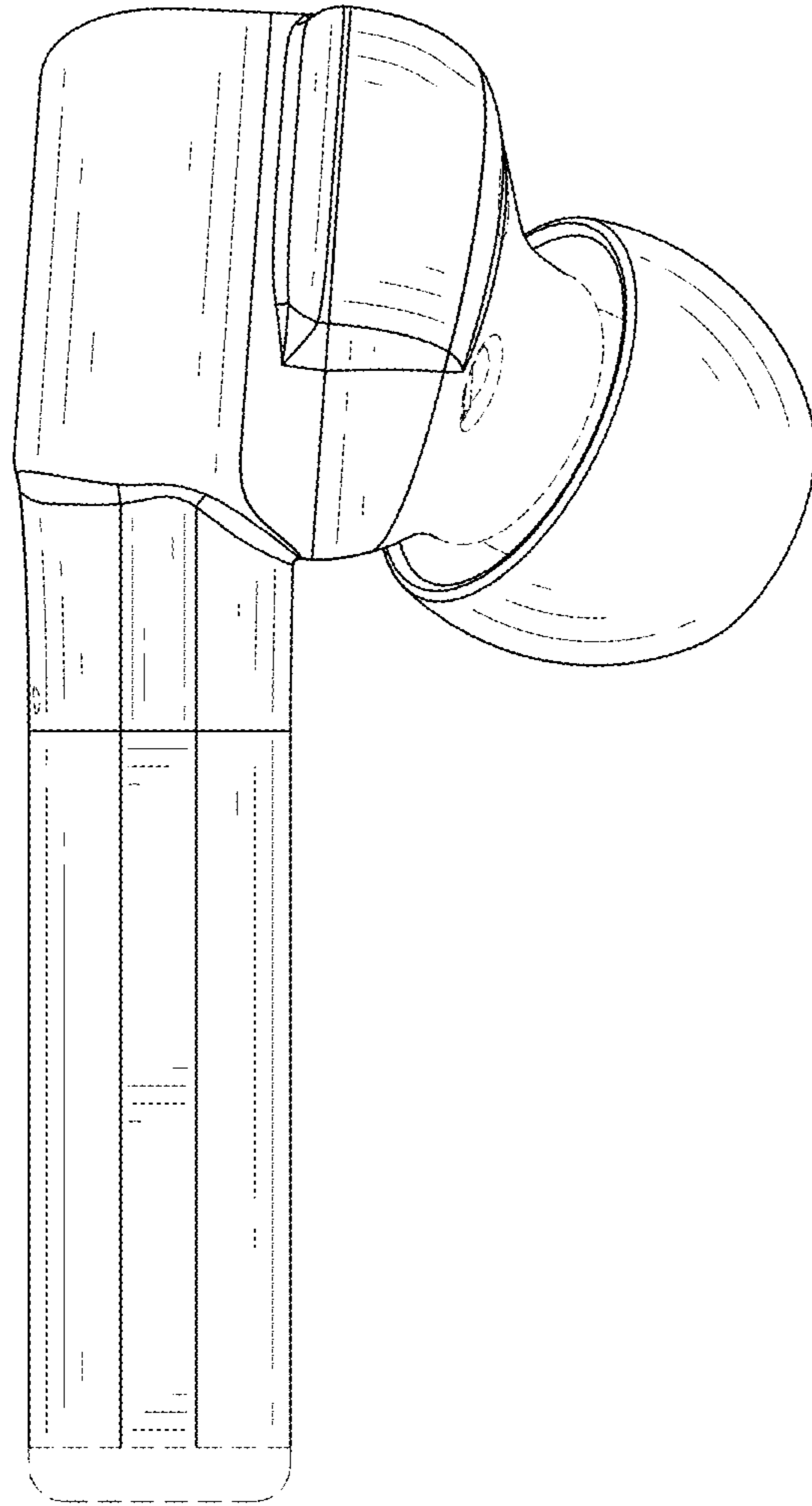


FIG. 5

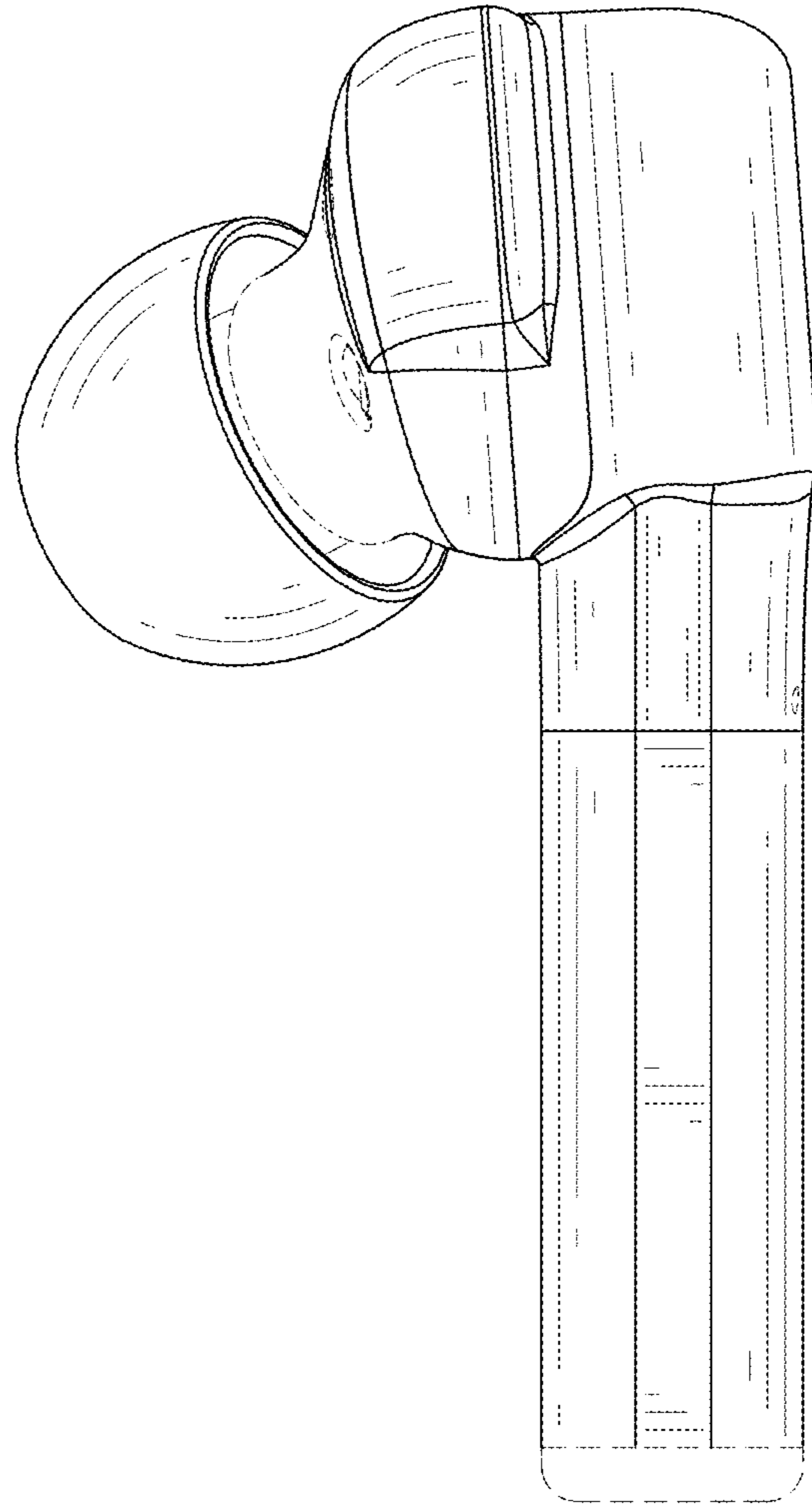


FIG. 6

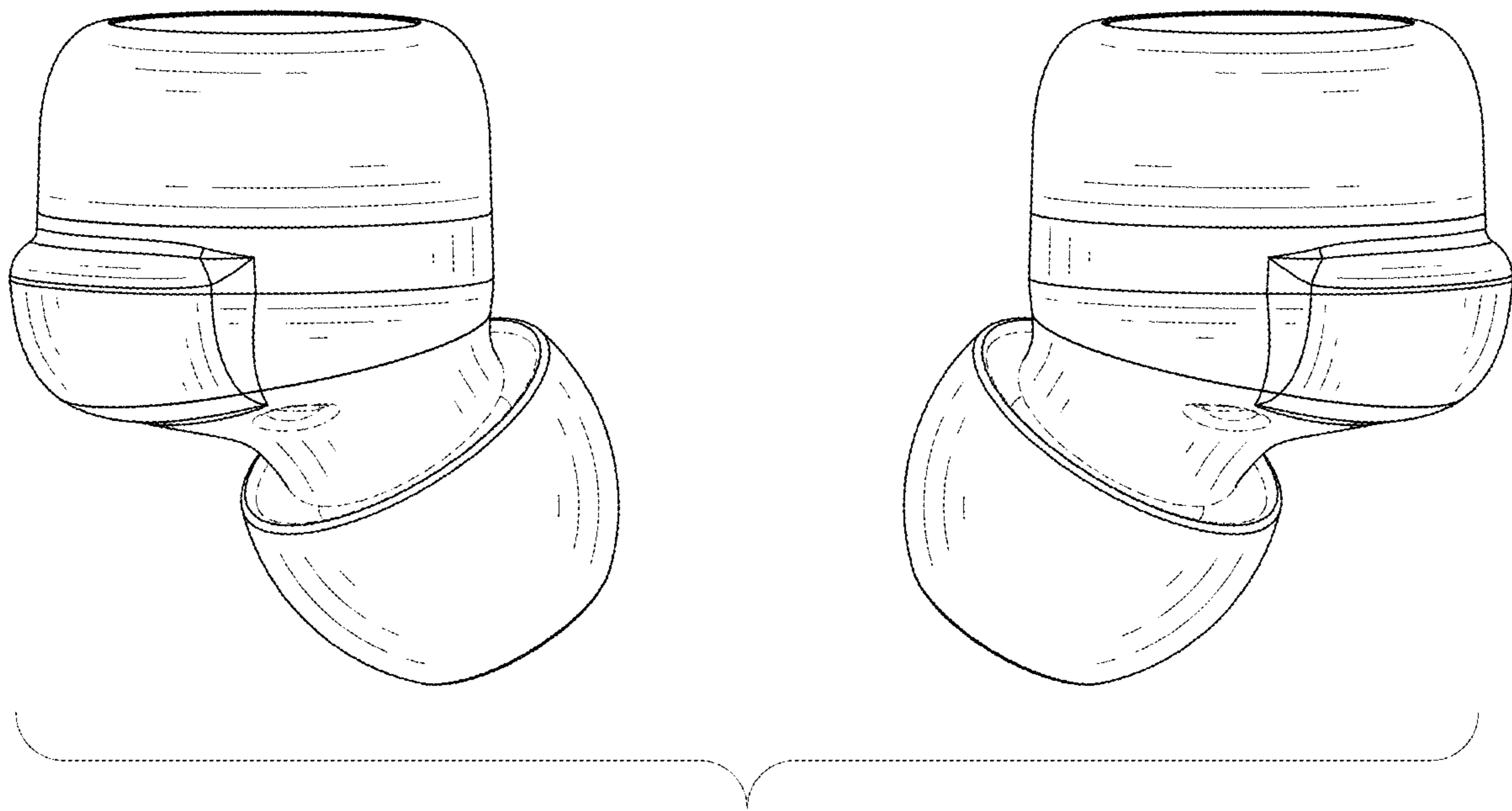


FIG. 7

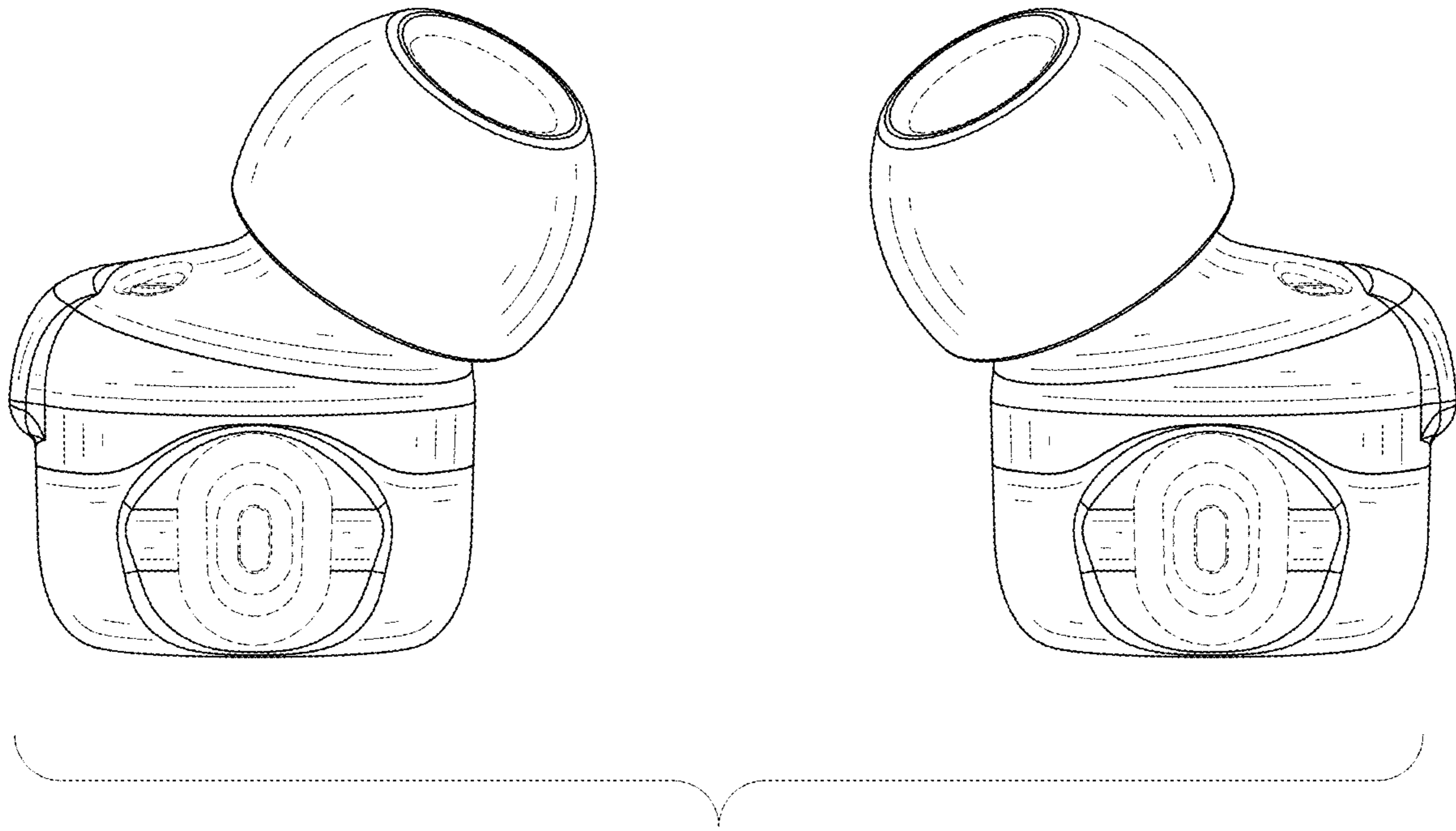


FIG. 8

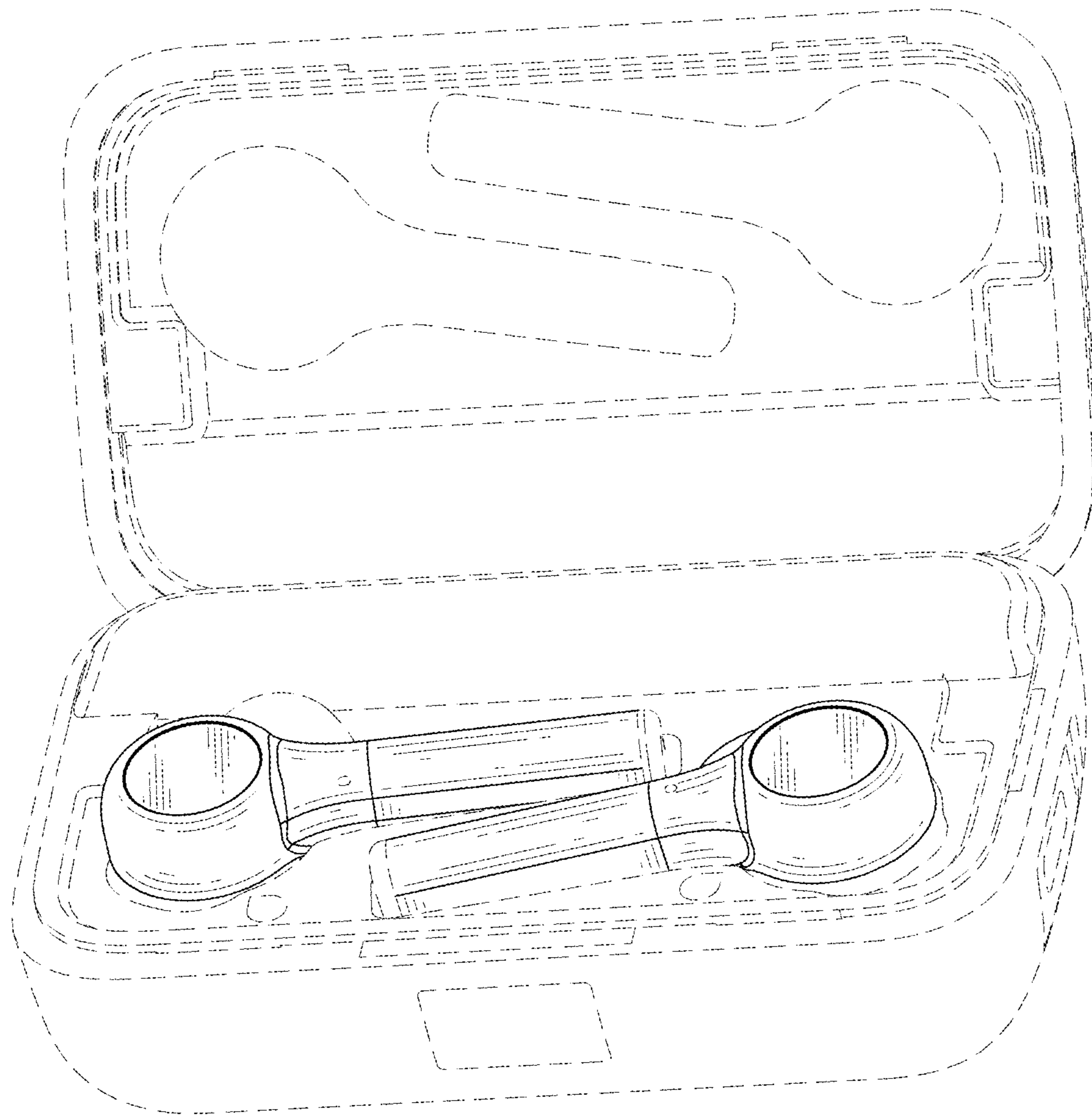


FIG. 9