



US00D882552S

(12) **United States Design Patent**
Chen et al.

(10) **Patent No.:** **US D882,552 S**
(45) **Date of Patent:** **** Apr. 28, 2020**

(54) **YOKE FOR LOUDSPEAKER**
(71) Applicant: **TYMPHANY ACOUSTIC TECHNOLOGY (HUIZHOU) CO., LTD.**, Huizhou, Guangdong Province (CN)
(72) Inventors: **ZhiWen Chen**, Huizhou (CN); **Hong Zai Xie**, Huizhou (CN)
(73) Assignee: **TYMPHANY ACOUSTIC TECHNOLOGY (HUIZHOU) CO., LTD.**, Huizhou, Guangdong Province (CN)
(**) Term: **15 Years**

3,111,187 A * 11/1963 Barlow H04R 7/125
181/168
3,176,086 A * 3/1965 Coen H04R 9/02
381/433
3,906,171 A * 9/1975 Braceley H04R 9/022
381/397
4,320,263 A * 3/1982 Thiele H04R 9/027
381/415
4,410,768 A * 10/1983 Nakamura H04R 7/02
181/167
4,531,025 A * 7/1985 Danley H04R 9/045
381/117
D320,020 S * 9/1991 Iwano D14/216
5,081,684 A * 1/1992 House H04R 7/18
381/407
5,133,428 A * 7/1992 Perrson B60R 11/0217
181/153

(Continued)

(21) Appl. No.: **29/646,570**
(22) Filed: **May 4, 2018**

(30) **Foreign Application Priority Data**

Nov. 6, 2017 (CN) 2017 3 0540343

(51) **LOC (12) Cl.** **14-01**
(52) **U.S. Cl.**
USPC **D14/222**

(58) **Field of Classification Search**
USPC D14/208, 204, 224, 221, 222; 181/178, 181/171, 153; 381/421, 405, 397, 358, 381/398, 407, 430, 345, 403, 409, 423, 381/427
CPC ... H04R 7/12; H04R 1/28; H04R 9/06; H04R 9/02; H04R 25/00; H04R 9/08; H04R 9/04; H05K 5/00
See application file for complete search history.

(56) **References Cited**

U.S. PATENT DOCUMENTS

2,498,825 A * 2/1950 Richards H04R 9/00
381/433
2,615,995 A * 10/1952 Voigt H04R 9/04
381/340

FOREIGN PATENT DOCUMENTS

EM 005256369-0001 * 5/2018

Primary Examiner — Paula Allen Greene

(74) *Attorney, Agent, or Firm* — Muncy, Geissler, Olds & Lowe, P.C.

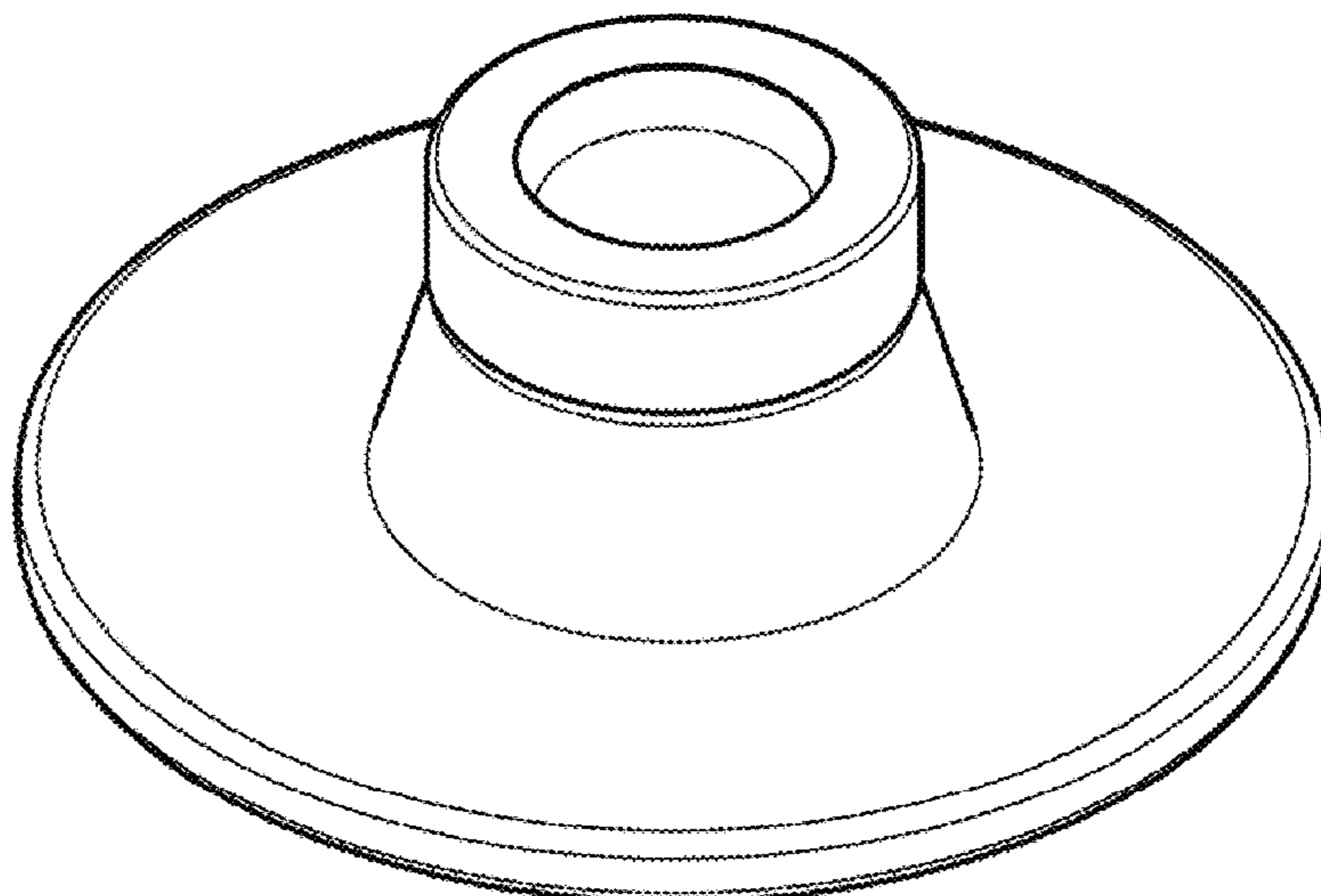
(57) **CLAIM**

We claim, the ornamental design for a yoke for loudspeaker, as shown and described.

DESCRIPTION

FIG. 1 is a top perspective view of a yoke for loudspeaker, showing the new design;
FIG. 2 is a front view thereof;
FIG. 3 is a rear view thereof;
FIG. 4 is a left side view thereof;
FIG. 5 is a right side view thereof;
FIG. 6 is a top view thereof; and,
FIG. 7 is a bottom view thereof.

1 Claim, 4 Drawing Sheets



(56)

References Cited

U.S. PATENT DOCUMENTS

5,319,164 A * 6/1994 Shen H04R 1/025
181/150
D360,418 S * 7/1995 Spynda D14/208
D387,354 S * 12/1997 Ueng D14/222
6,222,931 B1 * 4/2001 Cesati H04R 7/02
381/397
6,738,490 B2 * 5/2004 Brandt H04R 9/02
381/412
D521,982 S * 5/2006 Schafernak D14/216
7,778,436 B2 * 8/2010 Chung B06B 1/045
381/396
8,131,000 B2 * 3/2012 Lin H04R 9/045
381/397
D659,681 S * 5/2012 Suzuki D14/221
8,515,117 B2 * 8/2013 Liu H04R 9/046
381/394
8,787,611 B2 * 7/2014 Sasaki H04R 1/06
381/412
10,506,346 B2 * 12/2019 Chen H04R 1/288
2012/0082324 A1 * 4/2012 Choi H04R 1/1091
381/151

* cited by examiner

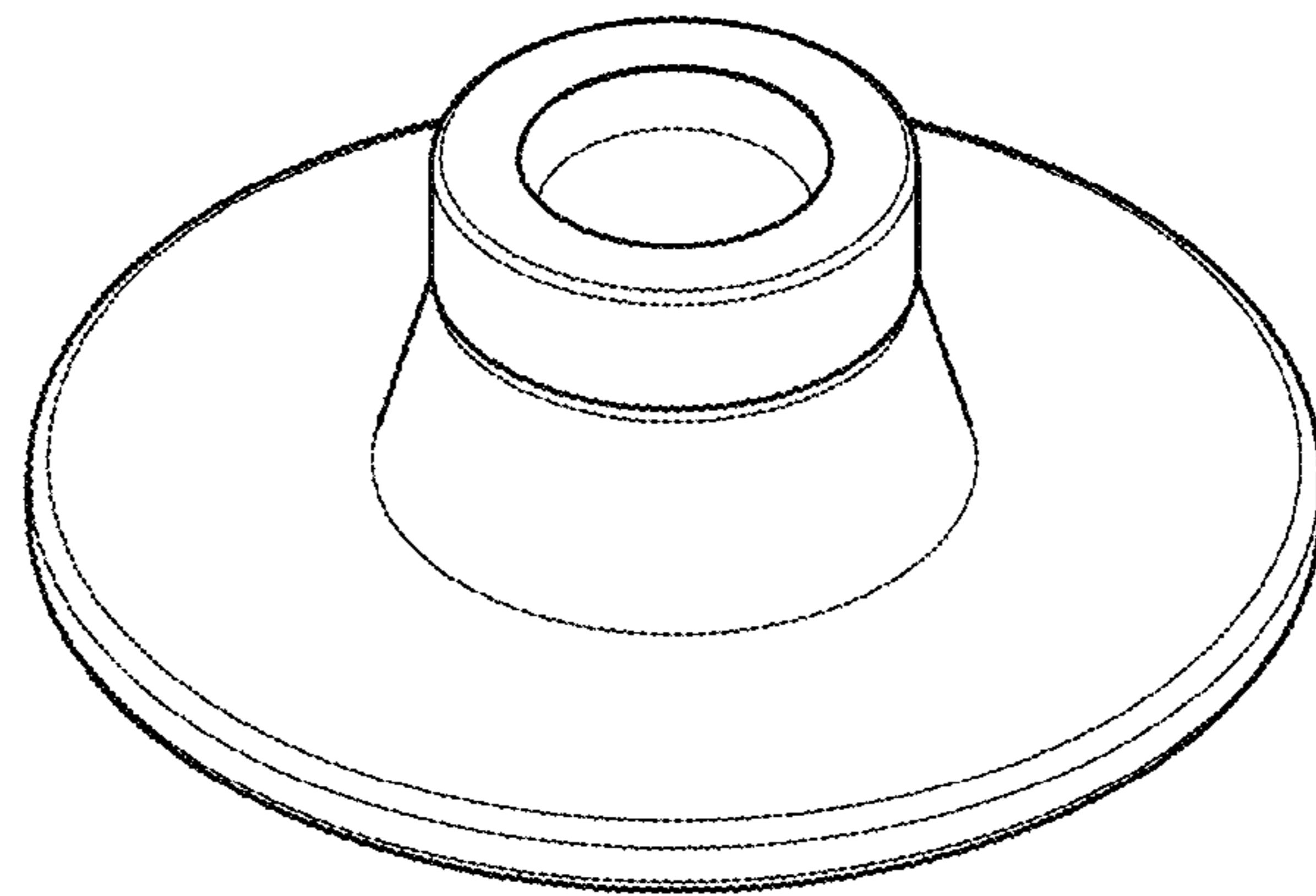


FIG. 1

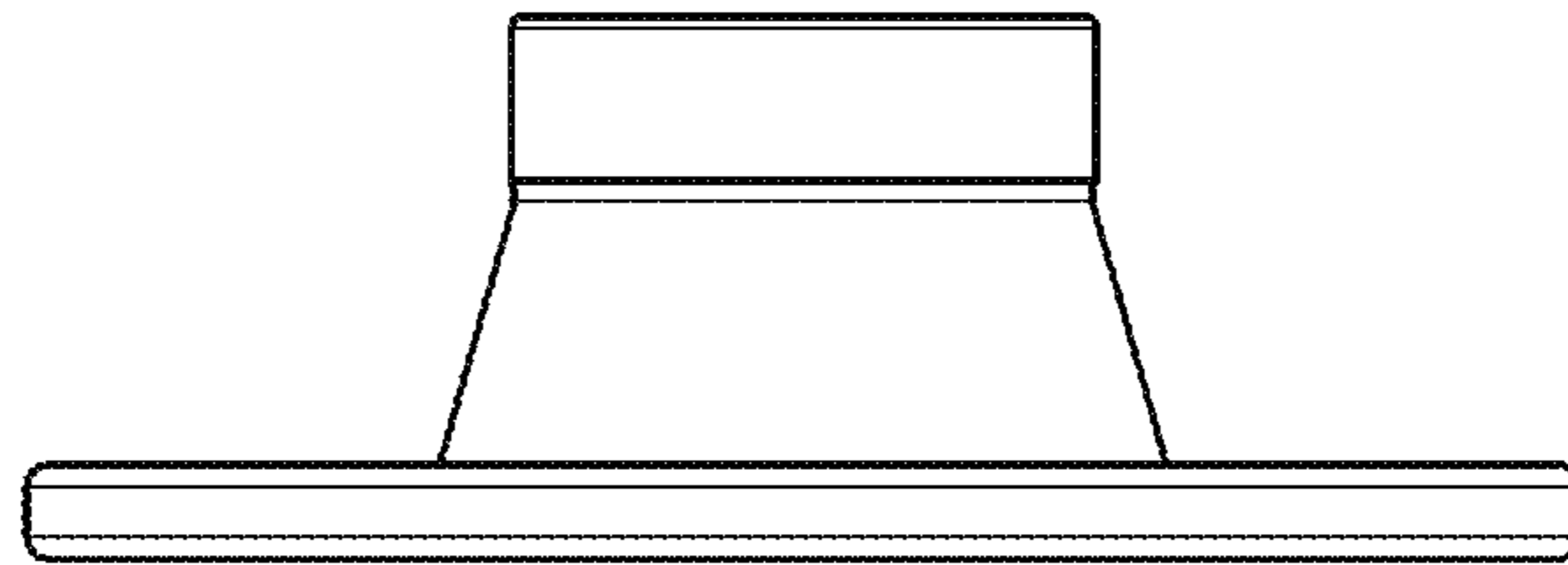


FIG. 2

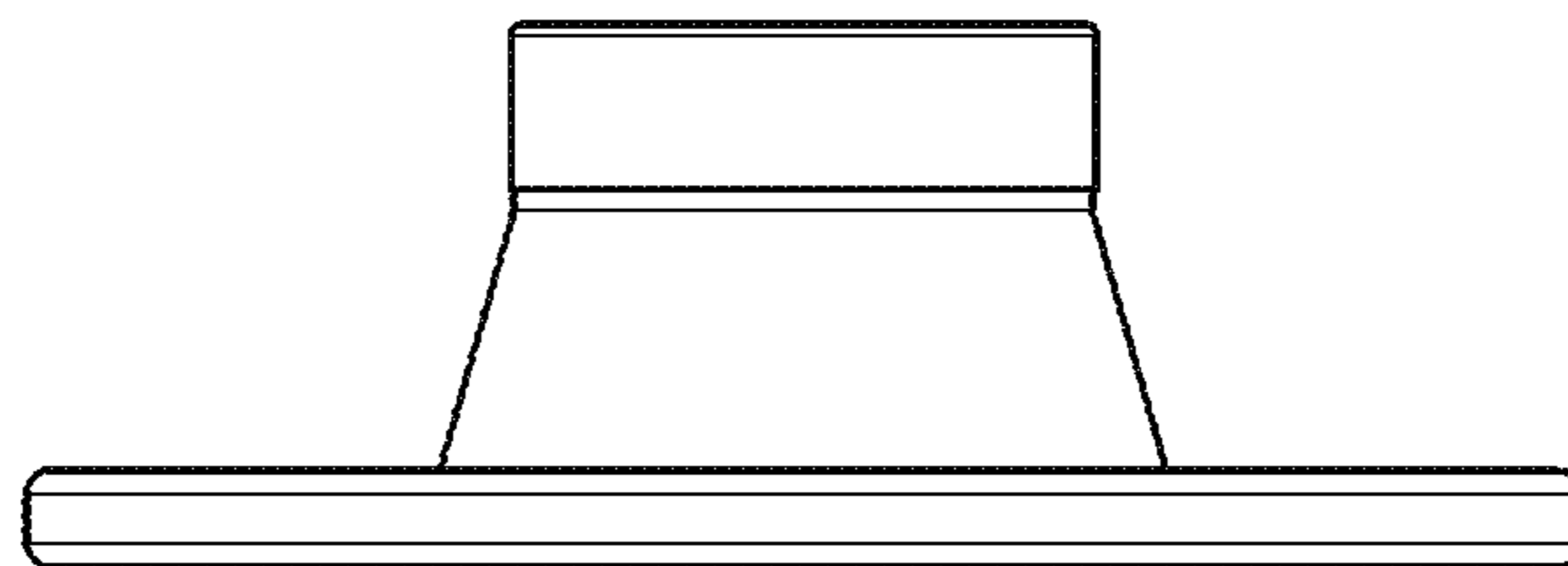


FIG. 3

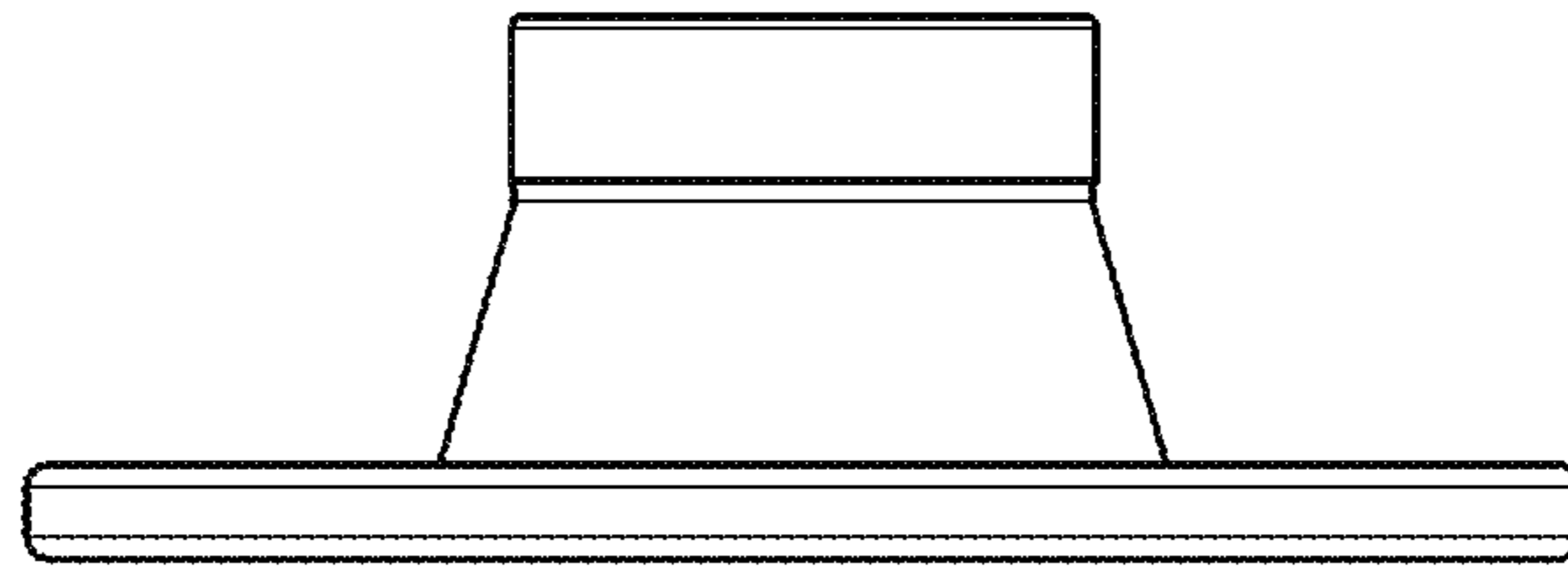


FIG. 4

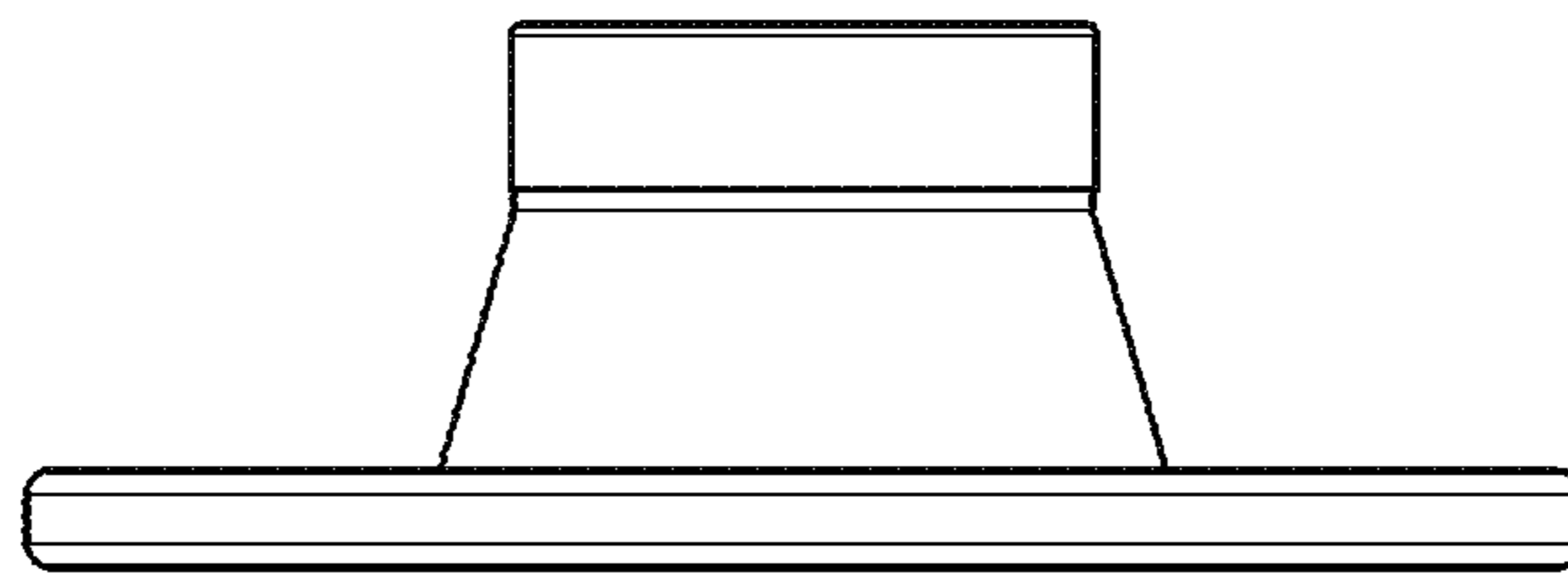


FIG. 5

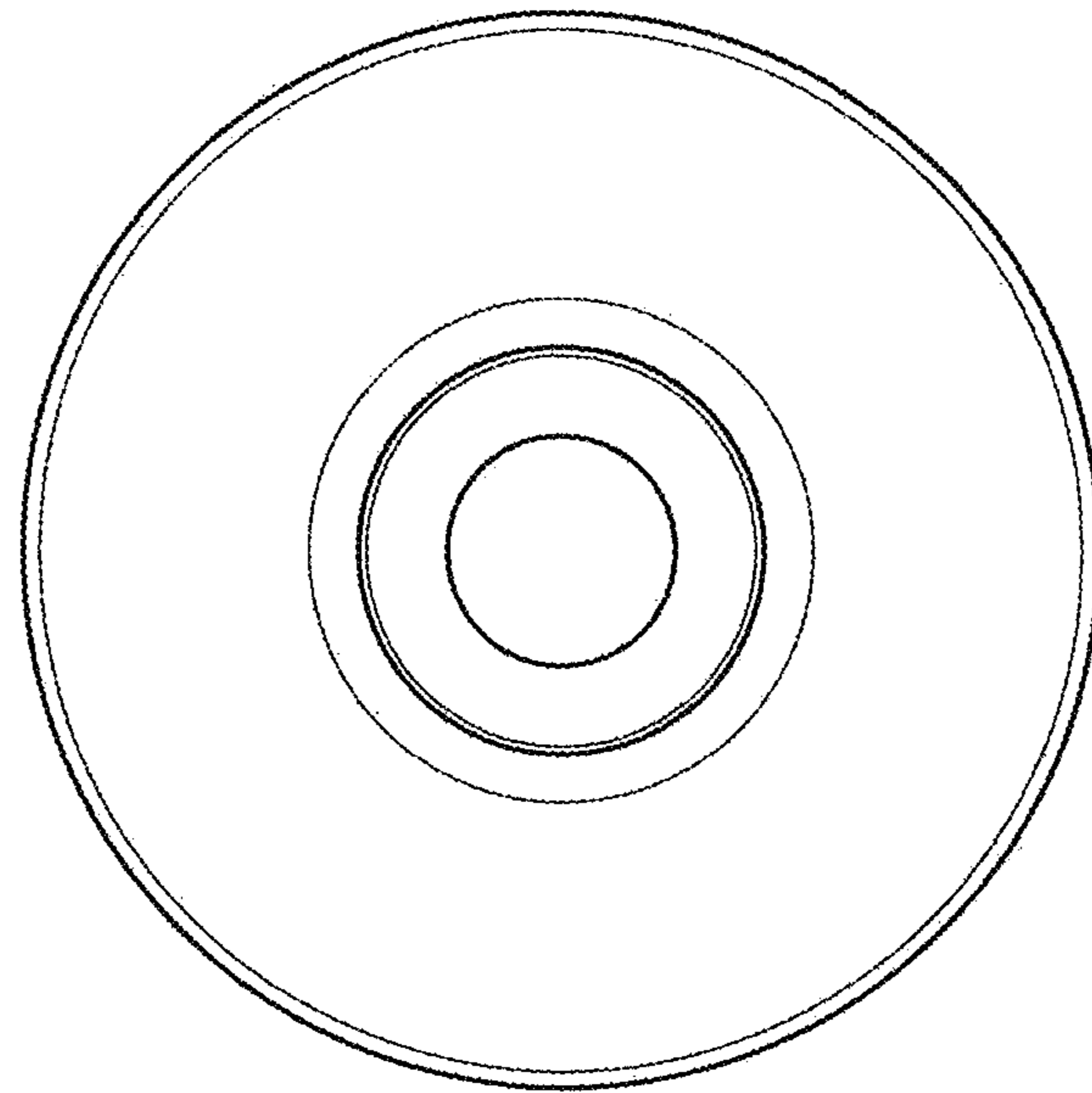


FIG. 6

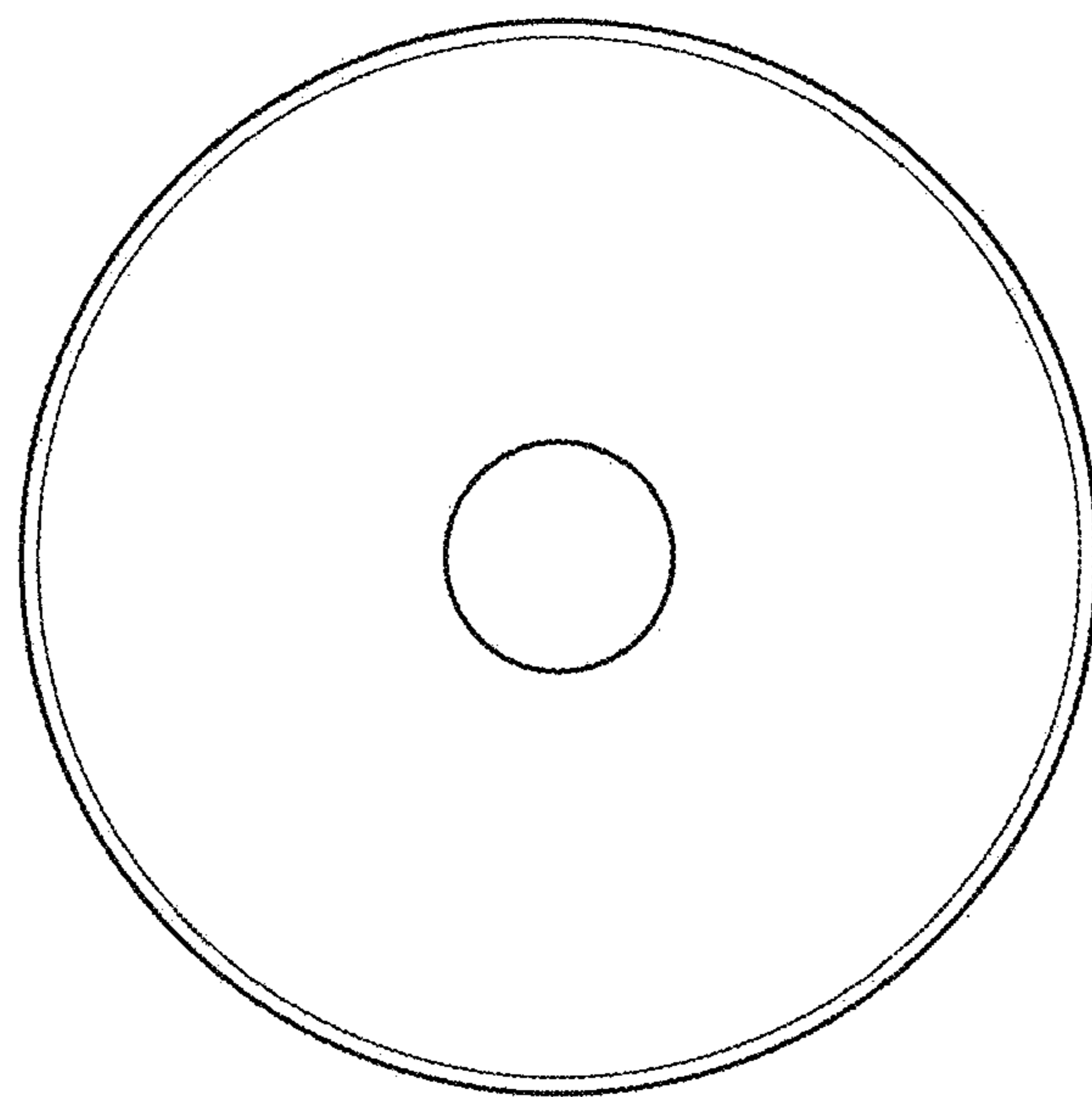


FIG. 7