

US00D882548S

(12) **United States Design Patent** (10) **Patent No.:** **US D882,548 S**
Guo et al. (45) **Date of Patent:** **** Apr. 28, 2020**

(54) **INTELLIGENT SPEAKER**

(71) Applicant: **Mobvoi Information Technology Co., Ltd., Beijing (CN)**

(72) Inventors: **Shuai Guo, Beijing (CN); Jing Gu, Beijing (CN)**

(73) Assignee: **Mobvoi Information Technology Co., Ltd, Beijing (CN)**

(**) Term: **15 Years**

(21) Appl. No.: **29/629,239**

(22) Filed: **Dec. 12, 2017**

(30) **Foreign Application Priority Data**

Aug. 14, 2017 (CN) 2017 3 0371518

(51) **LOC (12) Cl.** **14-01**

(52) **U.S. Cl.**
USPC **D14/216**

(58) **Field of Classification Search**
 USPC D14/167, 168, 170–172, 188, 194–196,
 D14/204, 209.1, 210–216, 219, 221, 222,
 D14/224, 239, 496
 CPC B60R 11/0217; G06F 1/1688; G10K 9/22;
 G10K 11/004; H03F 1/327; H04M 1/03;
 H04M 1/035; H04N 5/642; H04N
 21/4852; H04R 1/02; H04R 1/06; H04R
 1/021; H04R 1/025; H04R 1/026; H04R
 1/028; H04R 1/105; H04R 1/323; H04R
 1/403; H04R 1/2803; H04R 1/2834;
 H04R 5/02; H04R 7/20; H04R 9/06;
 H04R 9/025; H04R 2201/021; H04R
 2400/00; H04R 2201/07; H04R 2499/11;
 H04R 2499/13; H04R 2499/15; H04S
 3/00; H04S 7/30

See application file for complete search history.

(56) **References Cited**

U.S. PATENT DOCUMENTS

D774,020	S	*	12/2016	Hinokio	D14/216
D786,829	S	*	5/2017	Wang	D14/204
D811,367	S	*	2/2018	Vaclavik	D14/216
D828,856	S	*	9/2018	Langhammer	D14/496
D836,606	S	*	12/2018	Kangasmaa	D14/216

OTHER PUBLICATIONS

All Tech Asia ; ‘China’s AI Startup Mobvoi introduced USD 150AI speaker Tichome with similiar functions to Amazon Echo’; [online] Twitter—@alltechasianews; dated Aug. 26, 2017; accessed Jan. 5, 2019; 2p. (Year: 2017).*

* cited by examiner

Primary Examiner — Keli L Hill

(74) *Attorney, Agent, or Firm* — Dunkiel Saunders Elliott Raubvogel & Hand, PLLC; Shawn Gordon, Esq.

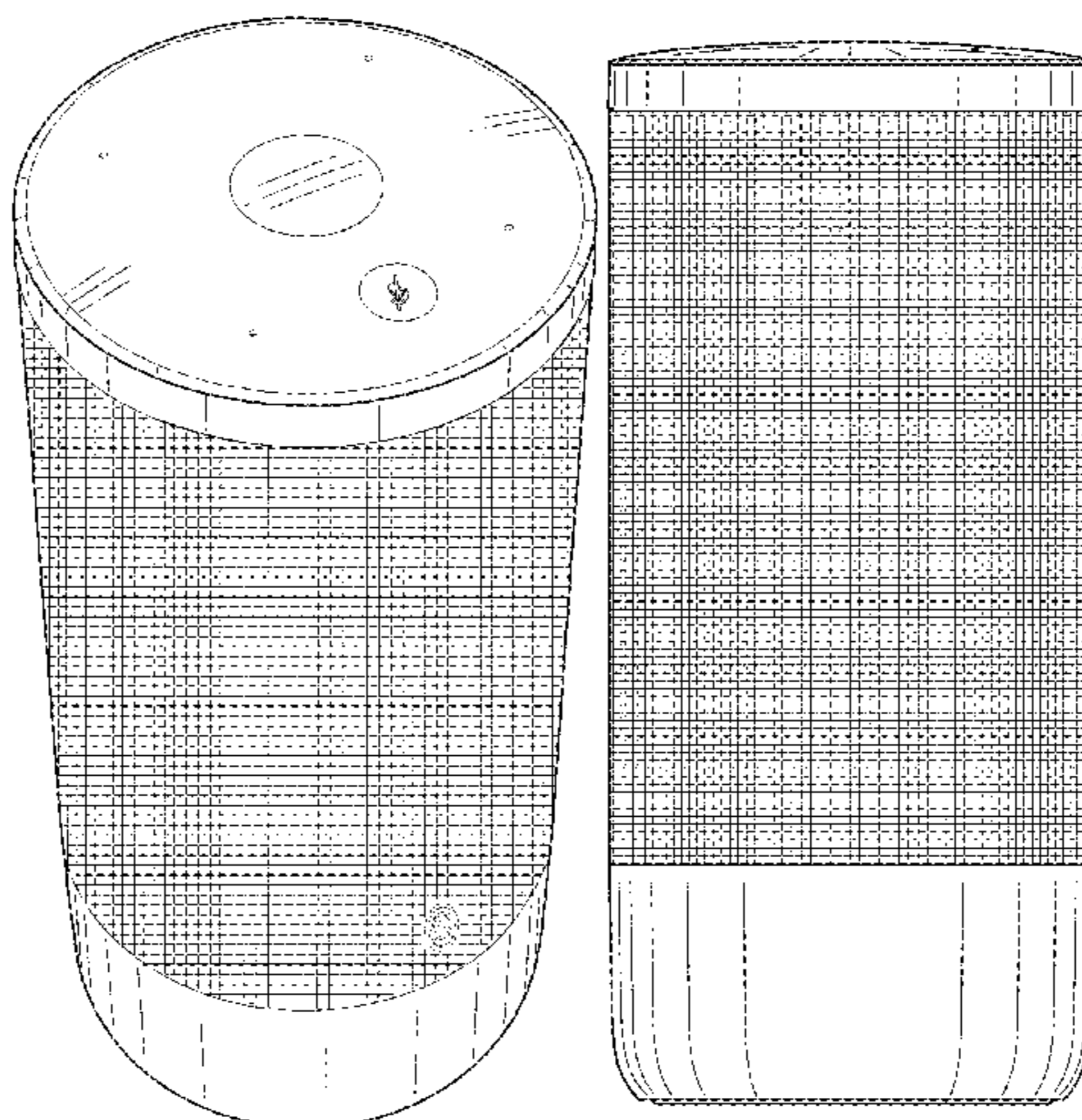
(57) **CLAIM**

The ornamental design for an intelligent speaker, as shown and described.

DESCRIPTION

FIG. 1 is a perspective view of the design for the intelligent speaker;
 FIG. 2 is a front view thereof;
 FIG. 3 is a rear view thereof;
 FIG. 4 is a left view thereof;
 FIG. 5 is a right view thereof;
 FIG. 6 is a top view thereof; and,
 FIG. 7 is a bottom view thereof.

(Continued)



The broken lines shown are included for the purpose of illustrating portions of the intelligent speaker that form no part of the claim.

1 Claim, 7 Drawing Sheets

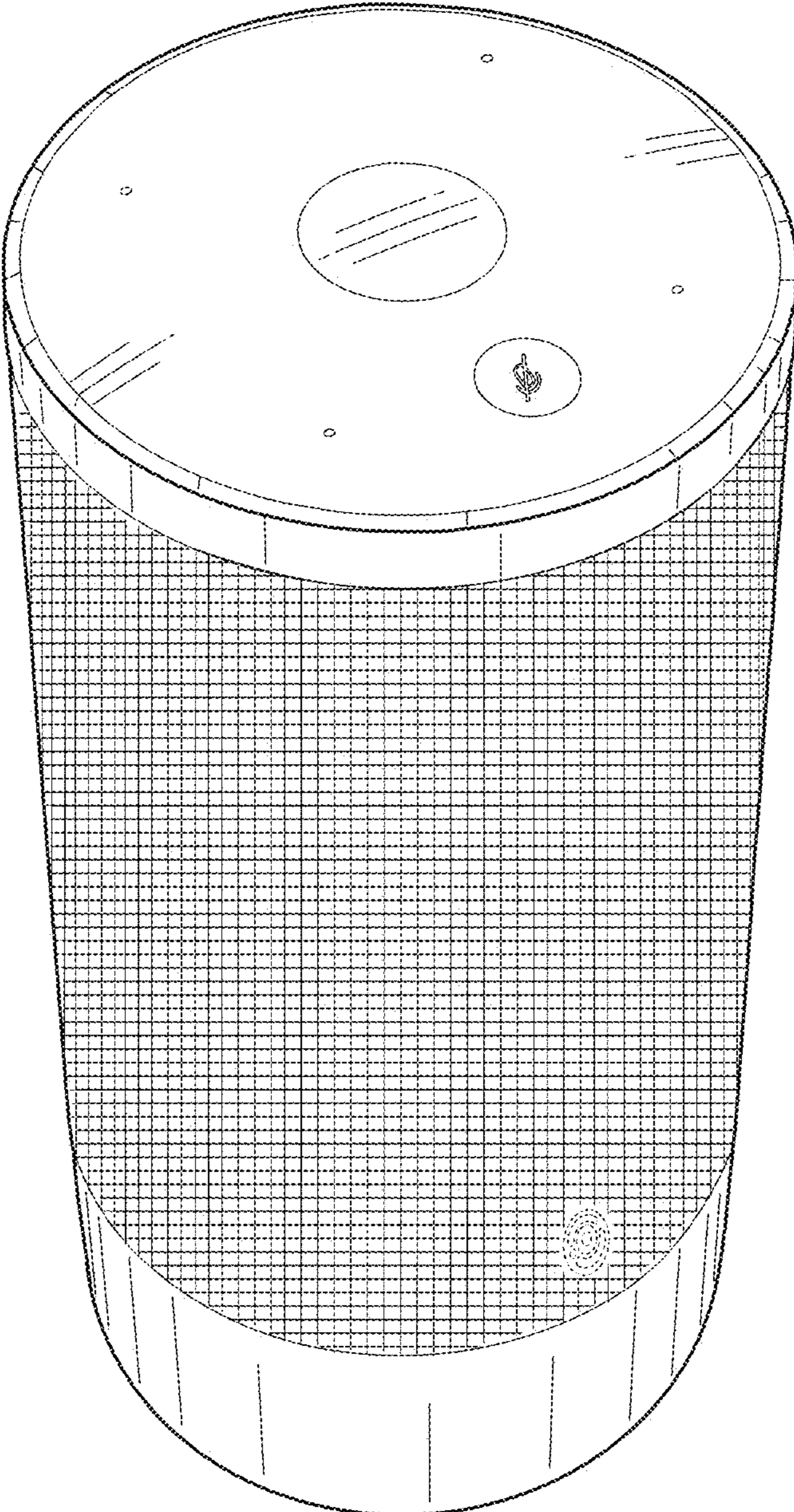


Fig. 1

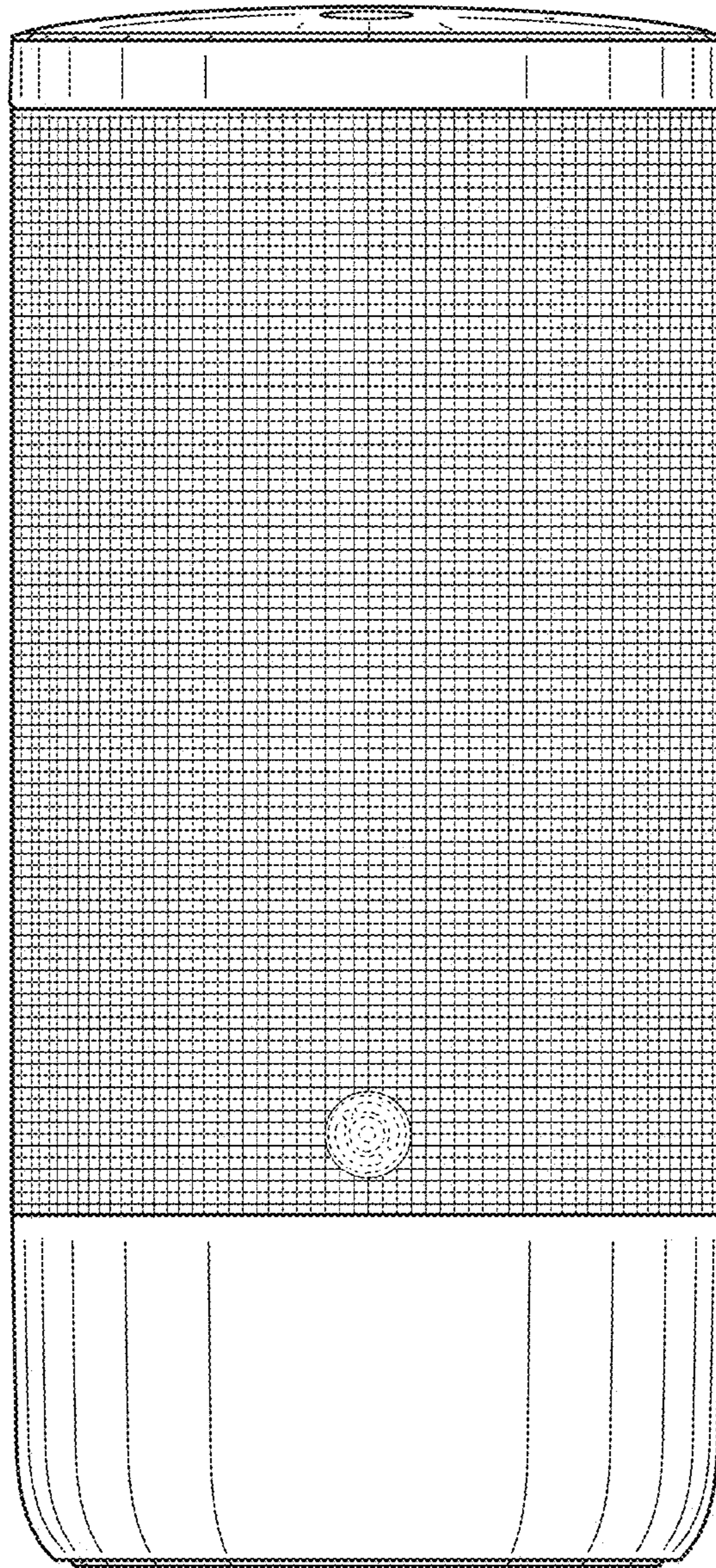


Fig. 2

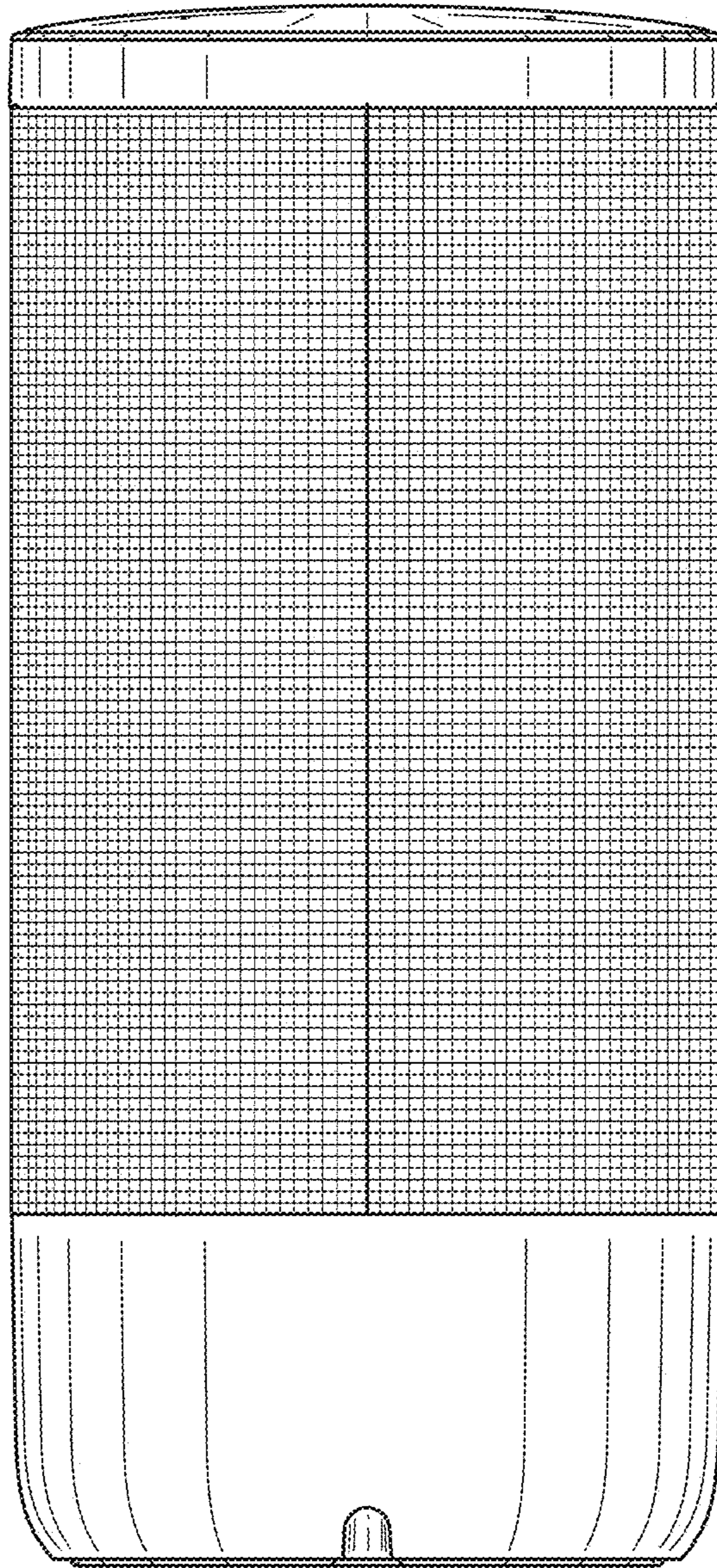


Fig. 3

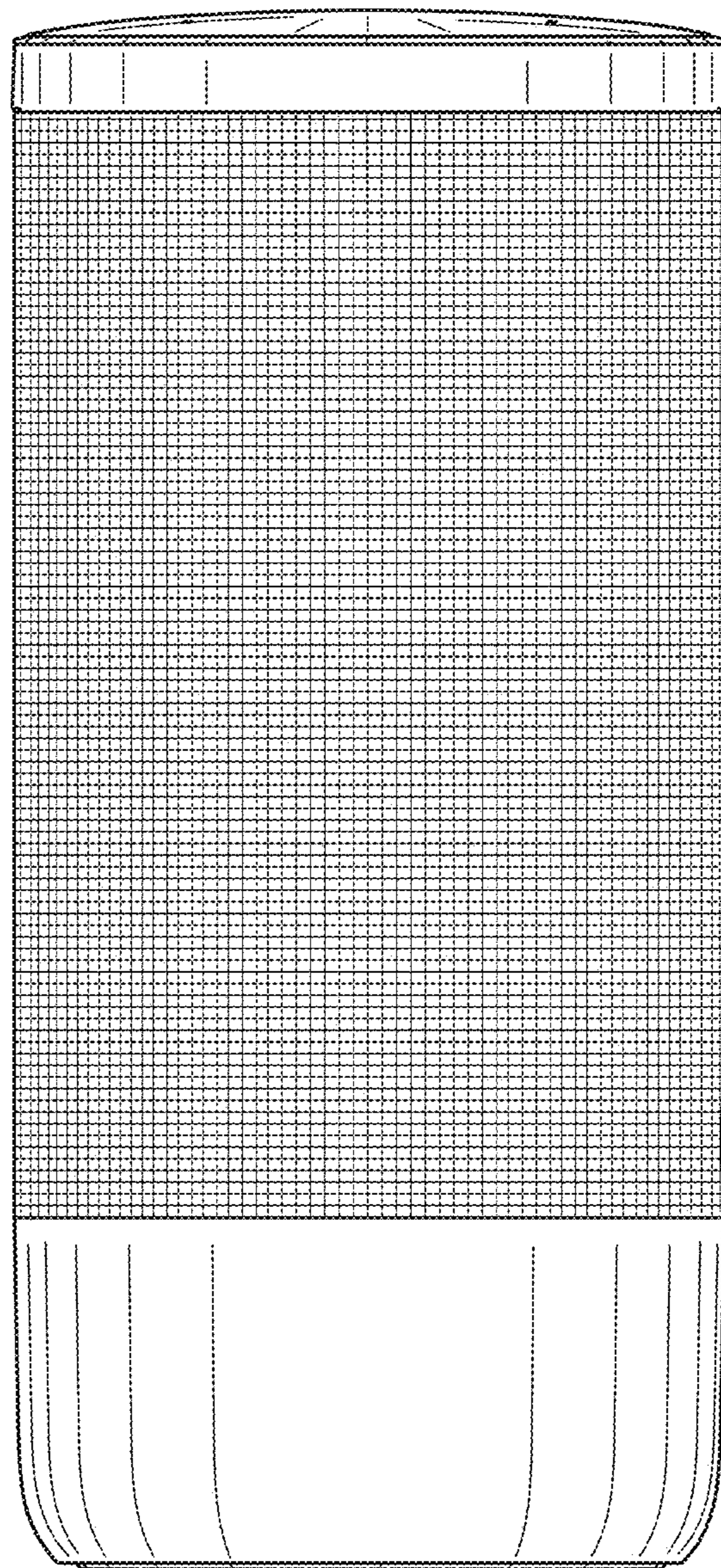


Fig. 4

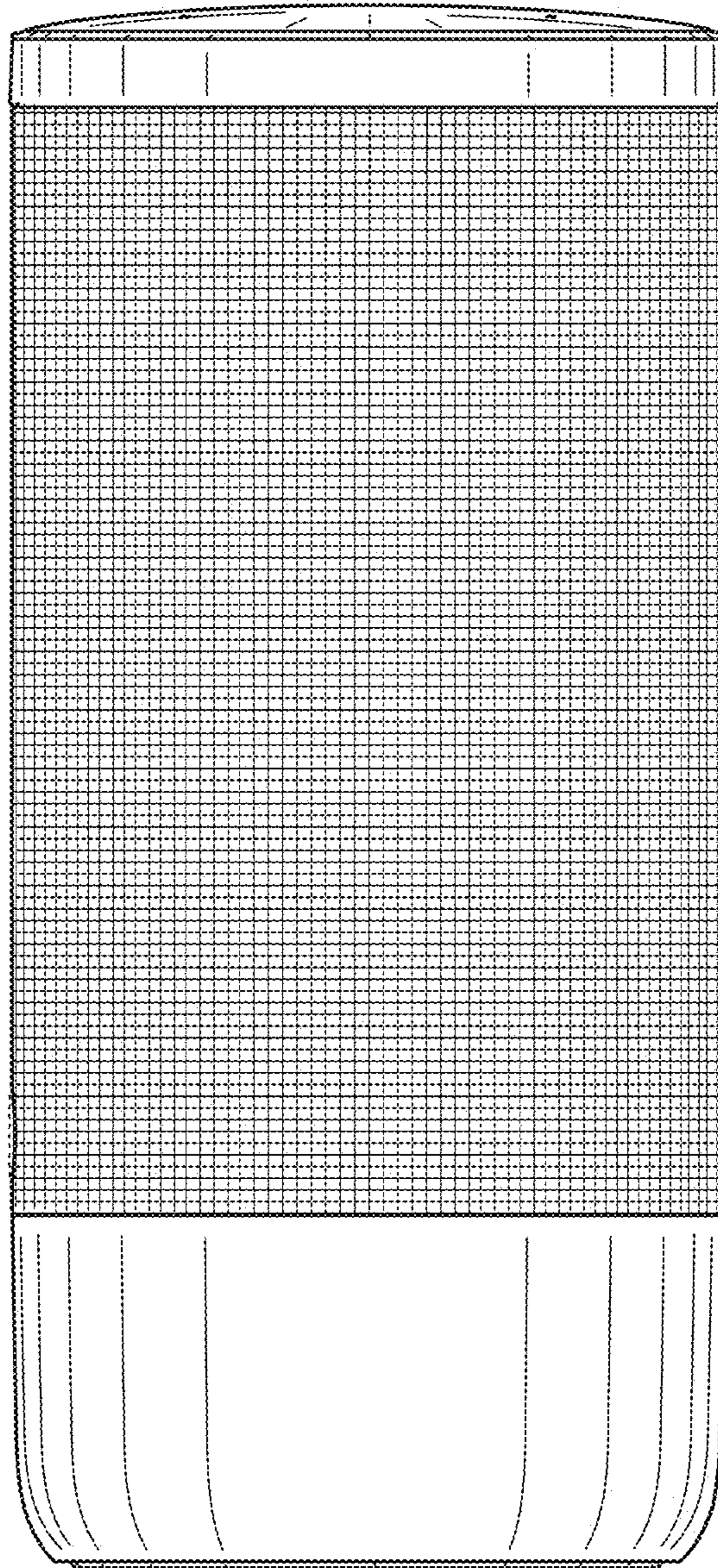


Fig. 5

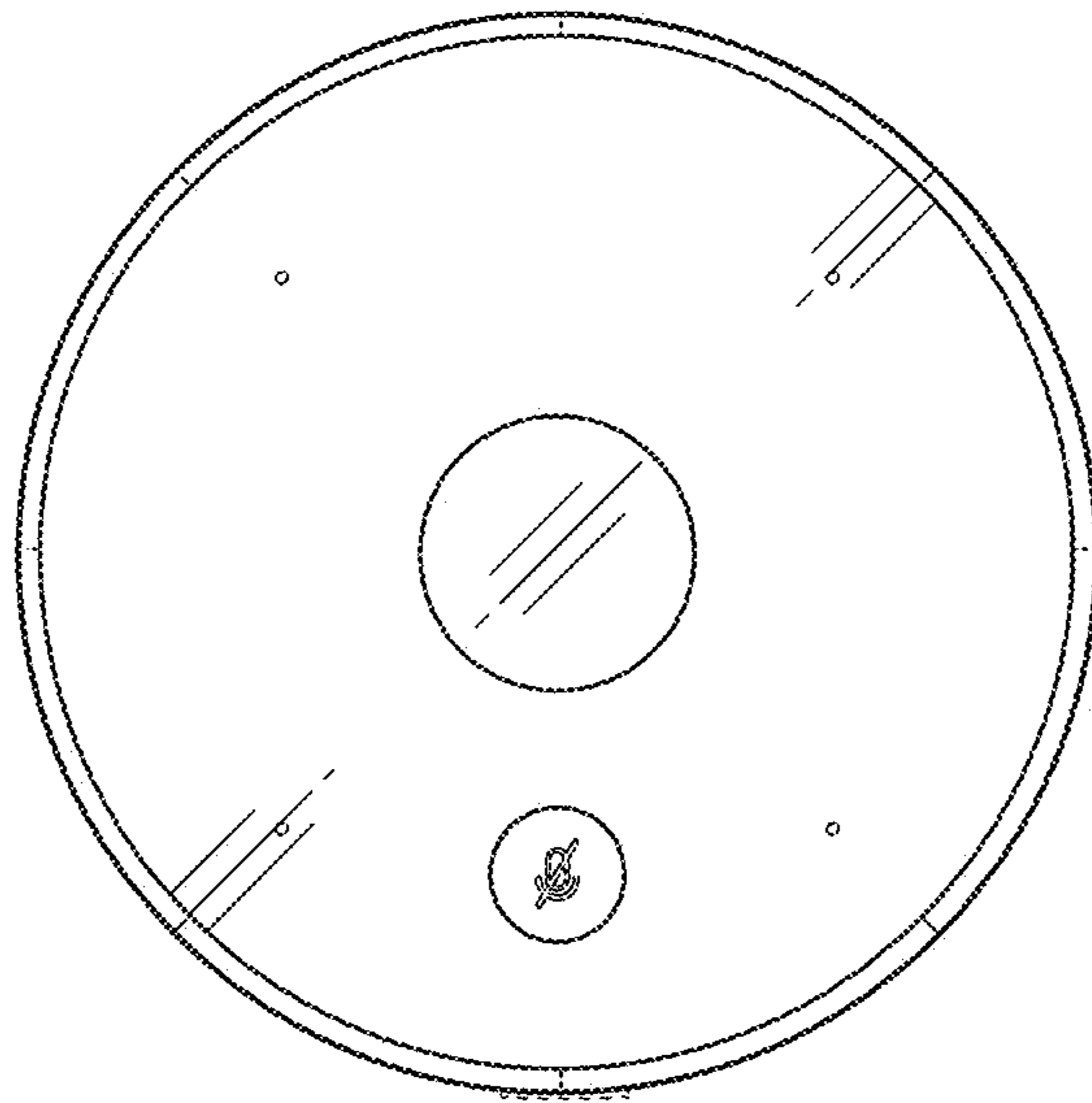


Fig. 6

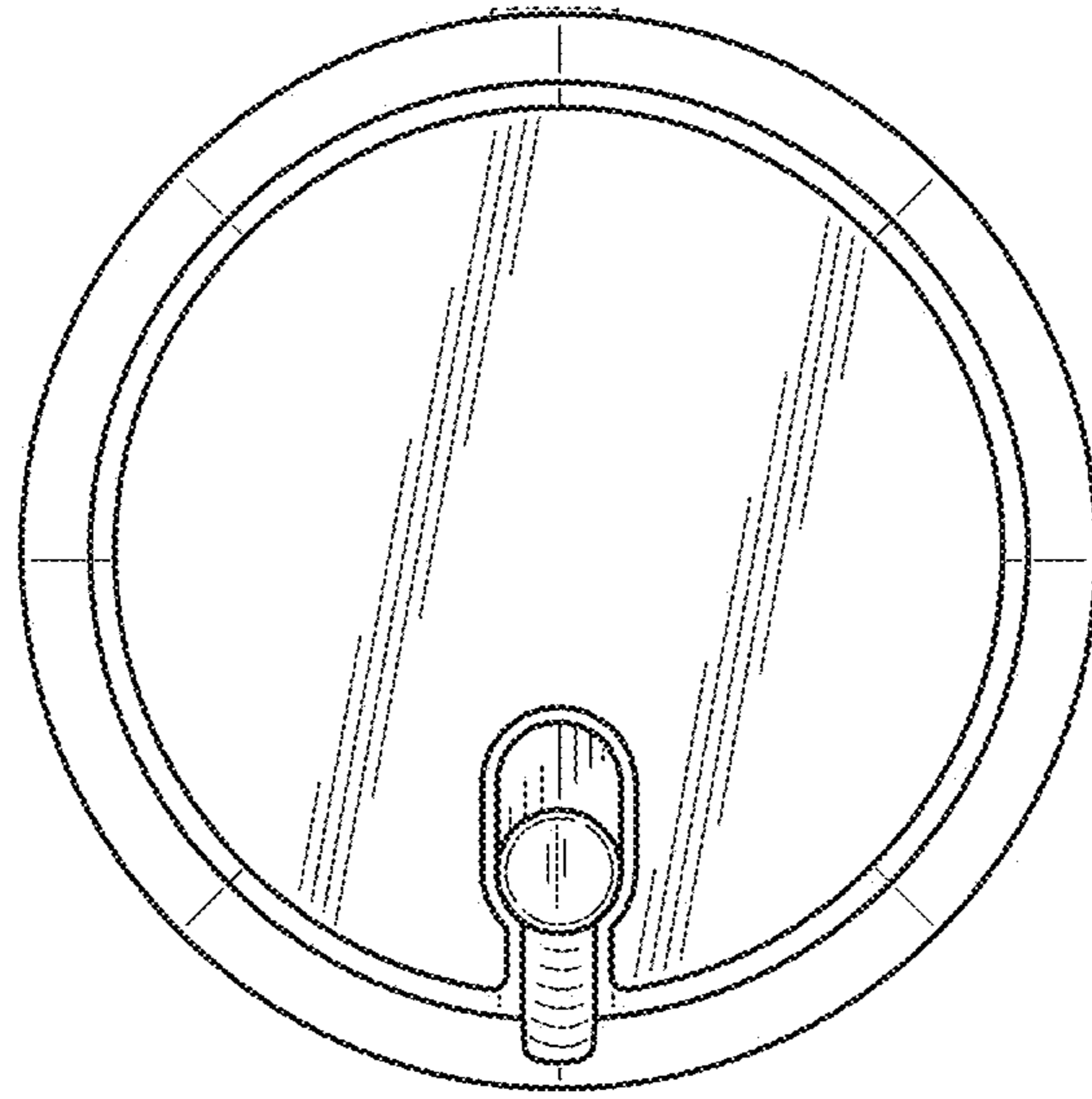


Fig. 7