



US00D882546S

(12) **United States Design Patent**
Ivey

(10) **Patent No.:** **US D882,546 S**
(45) **Date of Patent:** **** Apr. 28, 2020**

(54) **SMALL CEILING SPEAKER SOUND DIFFUSER**

(71) Applicant: **Mitek Corp., Inc.**, Phoenix, AZ (US)

(72) Inventor: **Johnathan Ivey**, Chandler, AZ (US)

(**) Term: **15 Years**

(21) Appl. No.: **29/624,883**

(22) Filed: **Nov. 5, 2017**

Related U.S. Application Data

(63) Continuation-in-part of application No. 15/710,654, filed on Sep. 20, 2017, now Pat. No. 10,237,636.

(51) **LOC (12) Cl.** **14-01**

(52) **U.S. Cl.**
USPC **D14/209**

(58) **Field of Classification Search**
USPC D14/224-229; D16/244; D17/99;
D6/681; 248/125.1, 166, 185.1;
381/355, 359, 361-363, 365, 366, 369,
381/375; 379/428.01, 428.04, 431,
379/433.03
CPC . H04R 25/00; H04R 1/02; H04R 5/02; H04R
9/08; F16M 11/38; F16M 13/00; F16M
11/00

See application file for complete search history.

(56) **References Cited**

U.S. PATENT DOCUMENTS

D320,020 S * 9/1991 Iwano D14/216
D357,480 S * 4/1995 Lumsden D14/224

(Continued)

Primary Examiner — Katie Jane Stofko

(74) *Attorney, Agent, or Firm* — Keith L. Jenkins,
Registered Patent Attorney, LLC; Keith L. Jenkins

(57) **CLAIM**

Applicant claims the ornamental design for the small ceiling speaker sound diffuser, as shown and described.

DESCRIPTION

FIG. 1 is a bottom perspective view of applicant's ornamental design of a small ceiling speaker sound diffuser. The

broken line showing the speaker assembly is for the purpose of illustrating the environmental context of the small ceiling speaker sound diffuser and forms no part of the claimed design.

FIG. 2 is a bottom perspective view of applicant's ornamental design of a small ceiling speaker sound diffuser. The broken line showing the diffuser barrel is for the purpose of illustrating the environmental context of the small ceiling speaker sound diffuser and forms no part of the claimed design.

FIG. 3 is a bottom plan view of applicant's ornamental design of a small ceiling speaker sound diffuser.

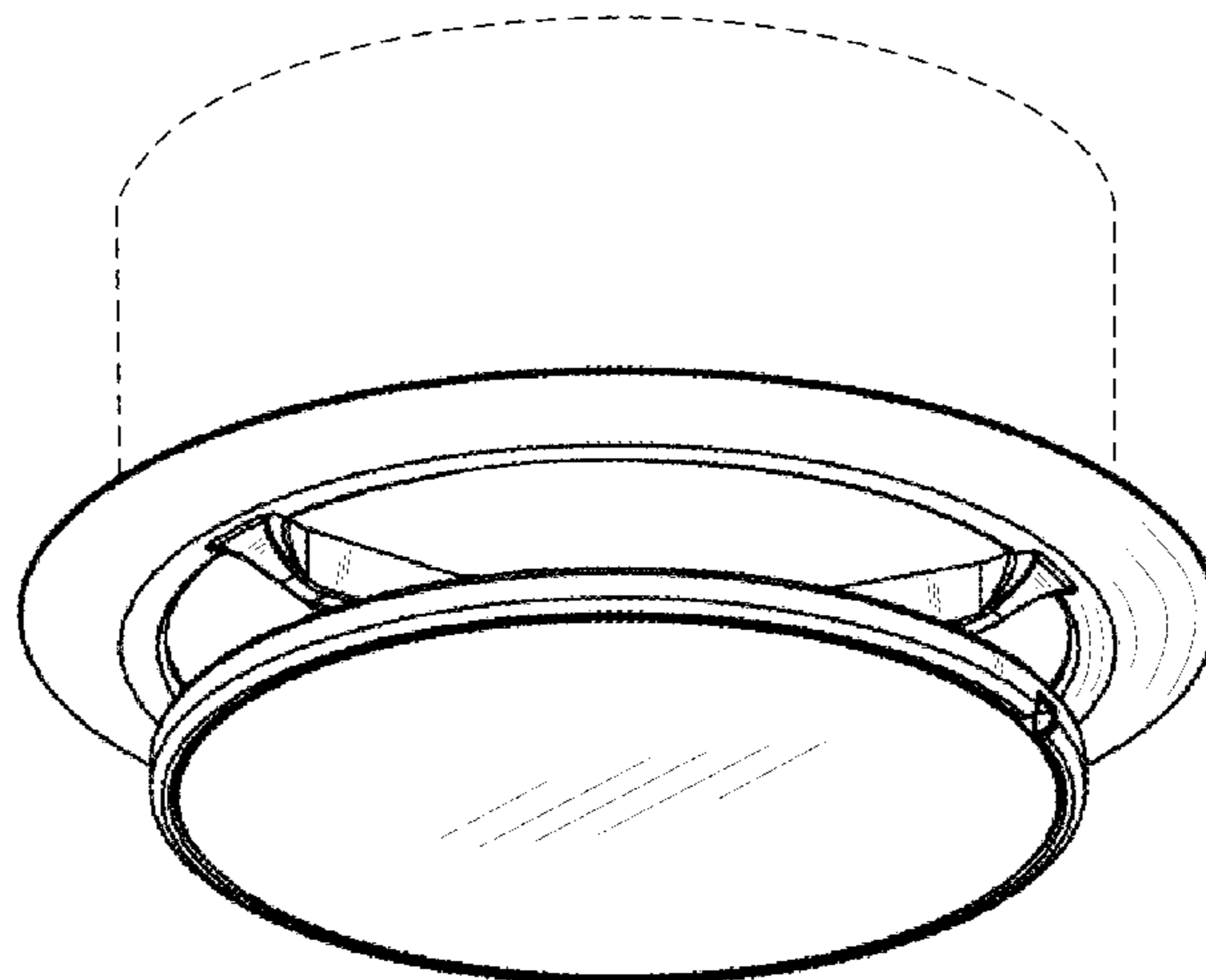
FIG. 4 is a front side elevation view of applicant's ornamental design of a small ceiling speaker sound diffuser. The broken line showing the diffuser barrel is for the purpose of illustrating the environmental context of the small ceiling speaker sound diffuser and forms no part of the claimed design.

FIG. 5 is a rear side elevation view of applicant's ornamental design of a small ceiling speaker sound diffuser. The broken line showing the diffuser barrel is for the purpose of illustrating the environmental context of the small ceiling speaker sound diffuser and forms no part of the claimed design; and,

FIG. 6 is a bottom perspective view of applicant's ornamental design of a small ceiling speaker sound diffuser. The broken line showing the speaker enclosure is for the purpose of illustrating the environmental context of the small ceiling speaker sound diffuser and forms no part of the claimed design.

Applicant's small ceiling speaker sound diffuser has a radially outwardly downward sloping diffuser element with demarcations thereon and grooves therein.

1 Claim, 5 Drawing Sheets



(56)

References Cited

U.S. PATENT DOCUMENTS

6,683,963 B2 * 1/2004 Sterns H04R 1/00
381/182
D771,600 S * 11/2016 Hinokio D14/228
10,024,493 B2 * 7/2018 Hart F16M 13/027
D836,088 S * 12/2018 Ivey D14/215
10,237,636 B1 * 3/2019 Ivey H04R 1/025
2006/0093156 A1 * 5/2006 Caniggia H04R 3/12
381/89
2008/0044053 A1 * 2/2008 Belanger H04R 1/023
381/391
2014/0305734 A1 * 10/2014 Ivey H04R 1/025
181/150
2018/0054665 A1 * 2/2018 Ivey H04R 1/026
2019/0088238 A1 * 3/2019 Ivey G10K 11/002
2019/0090047 A1 * 3/2019 Ivey H04R 1/22

* cited by examiner

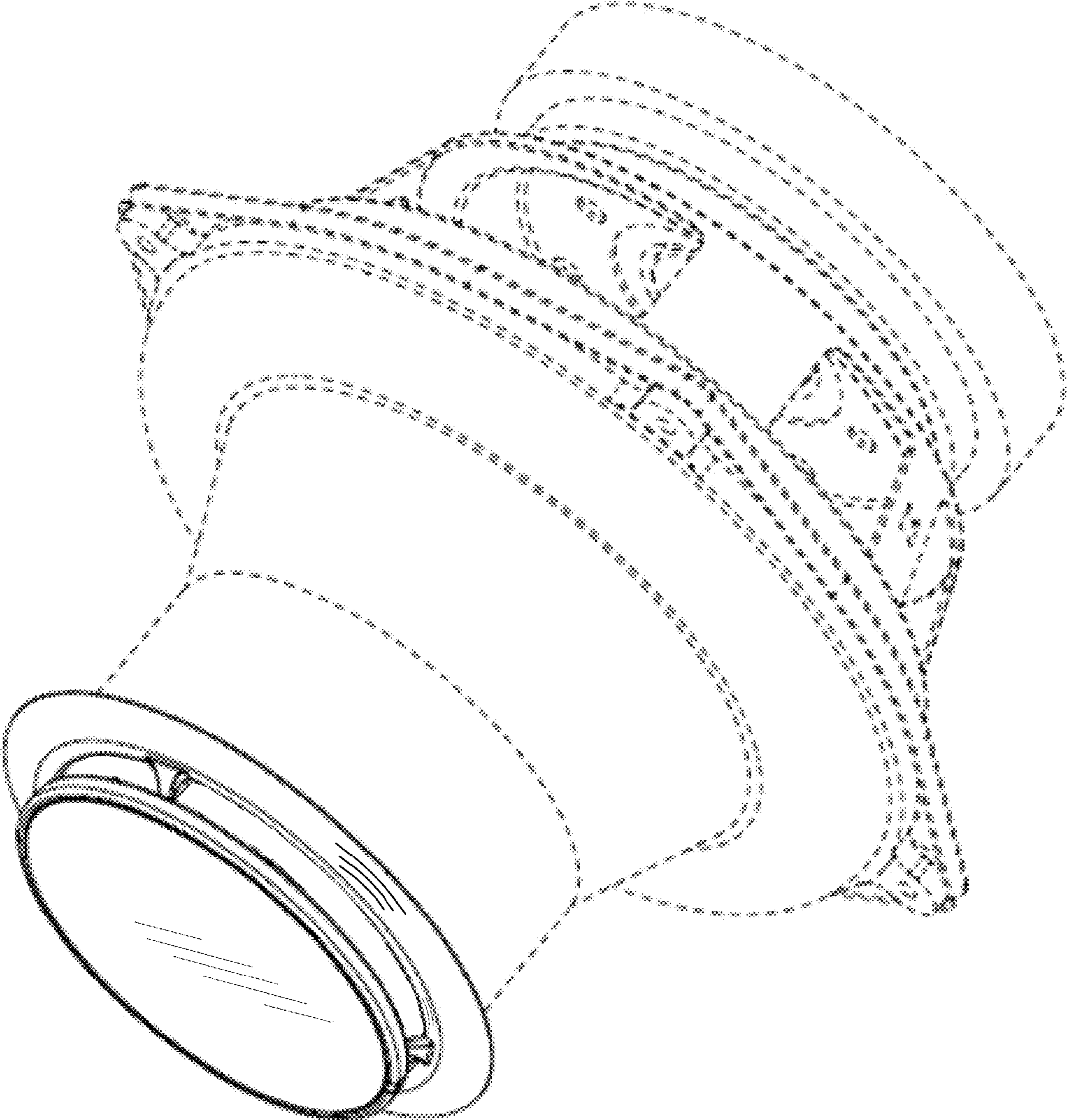


FIG. 1

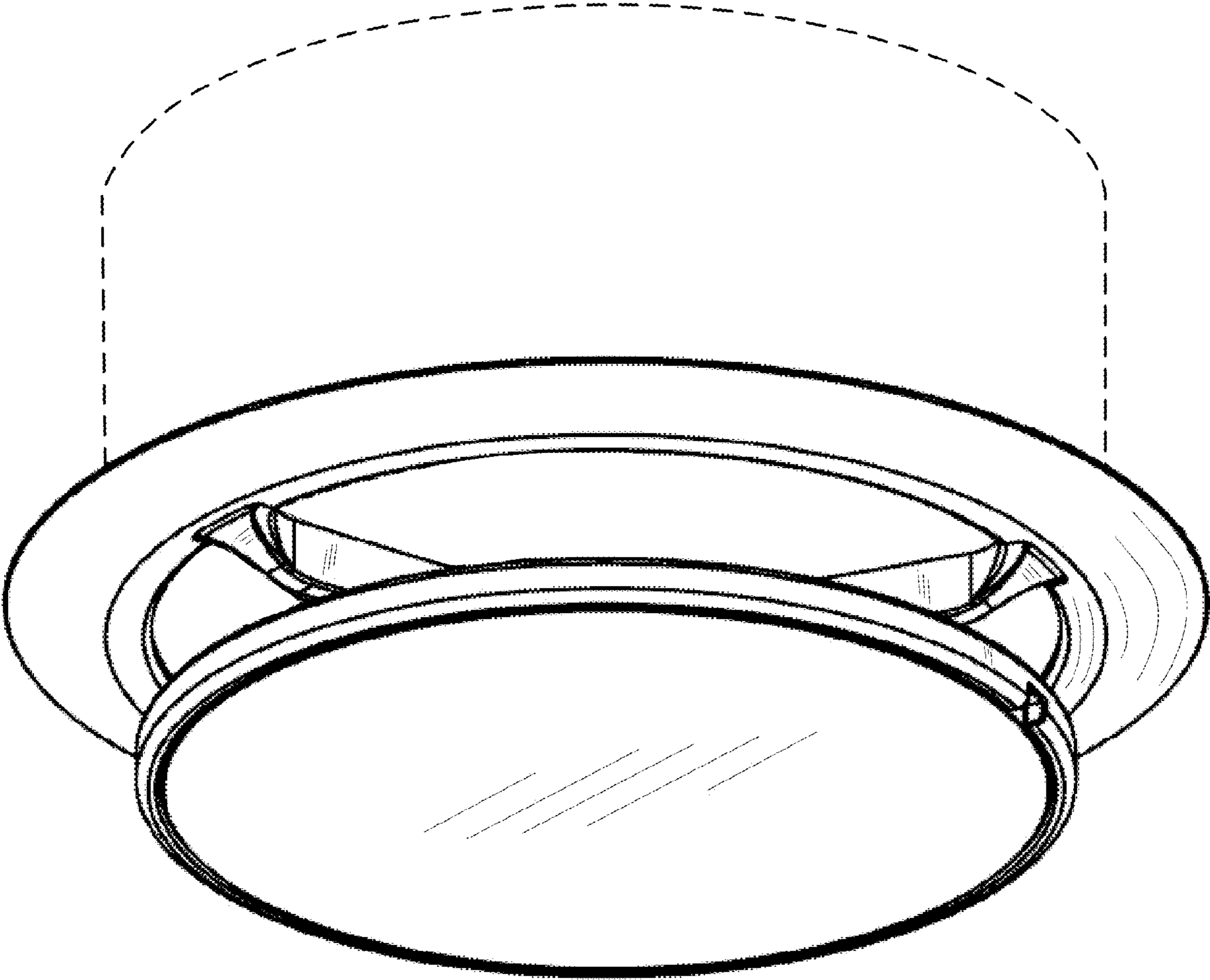


FIG. 2

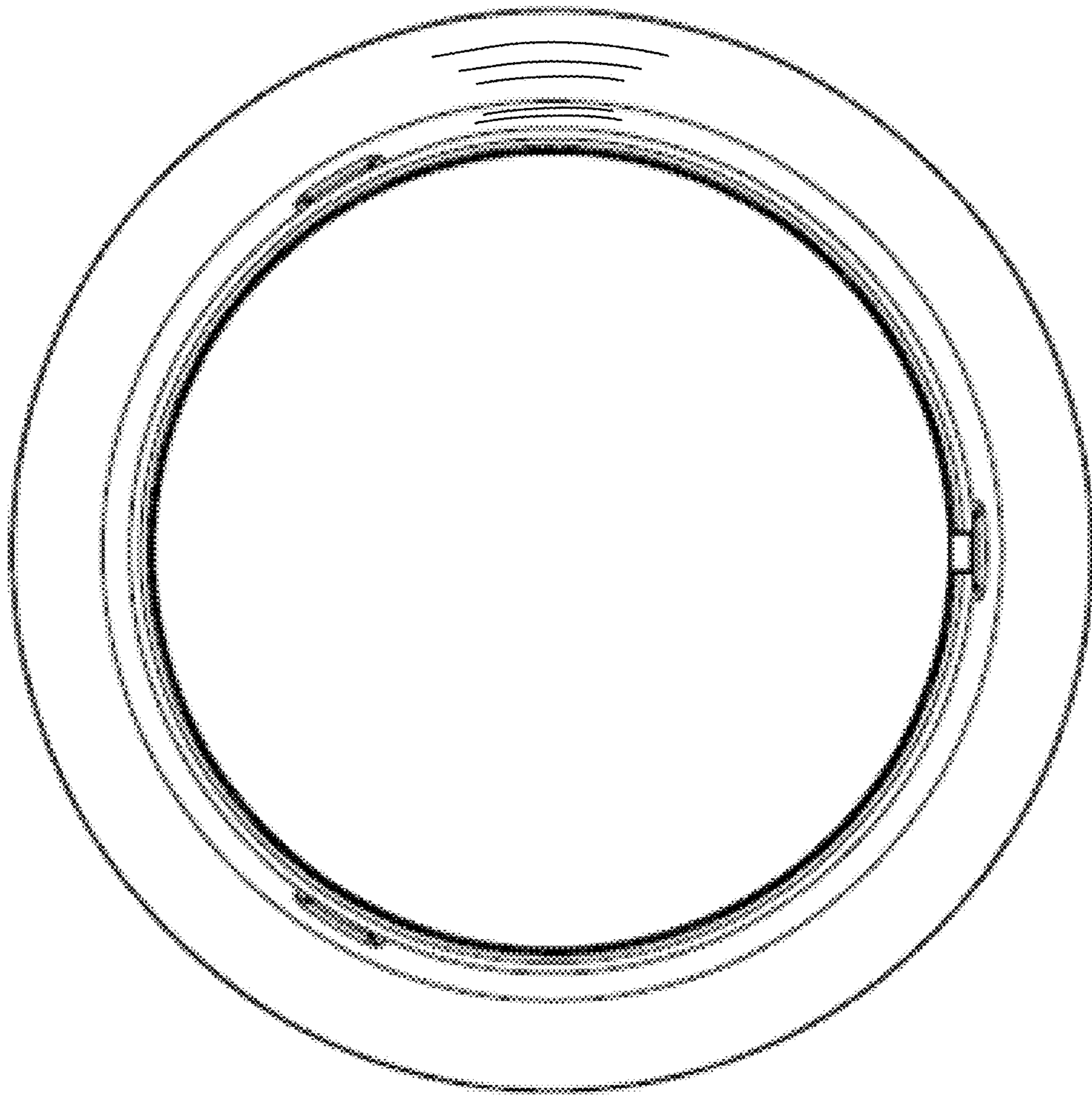


FIG. 3

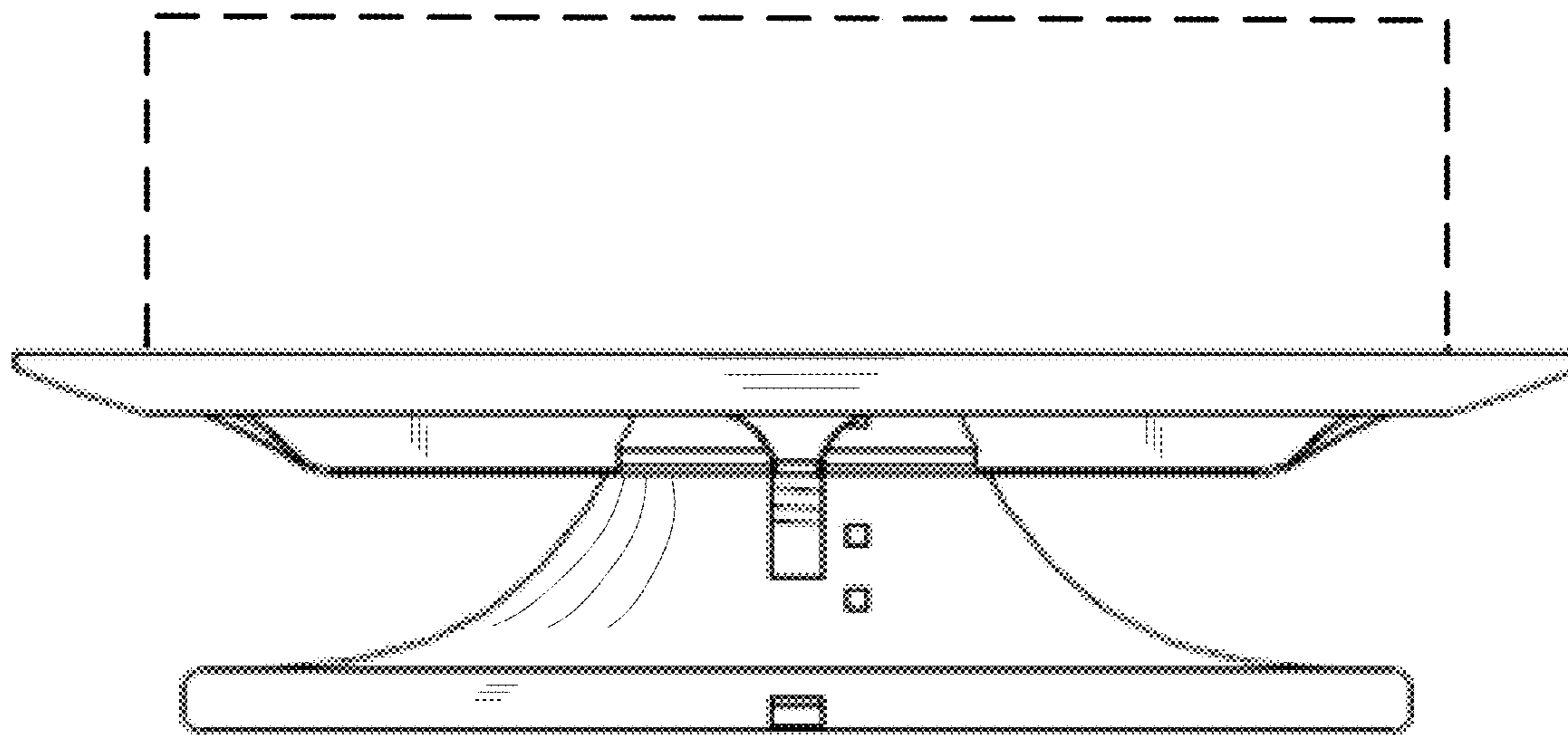


FIG. 4

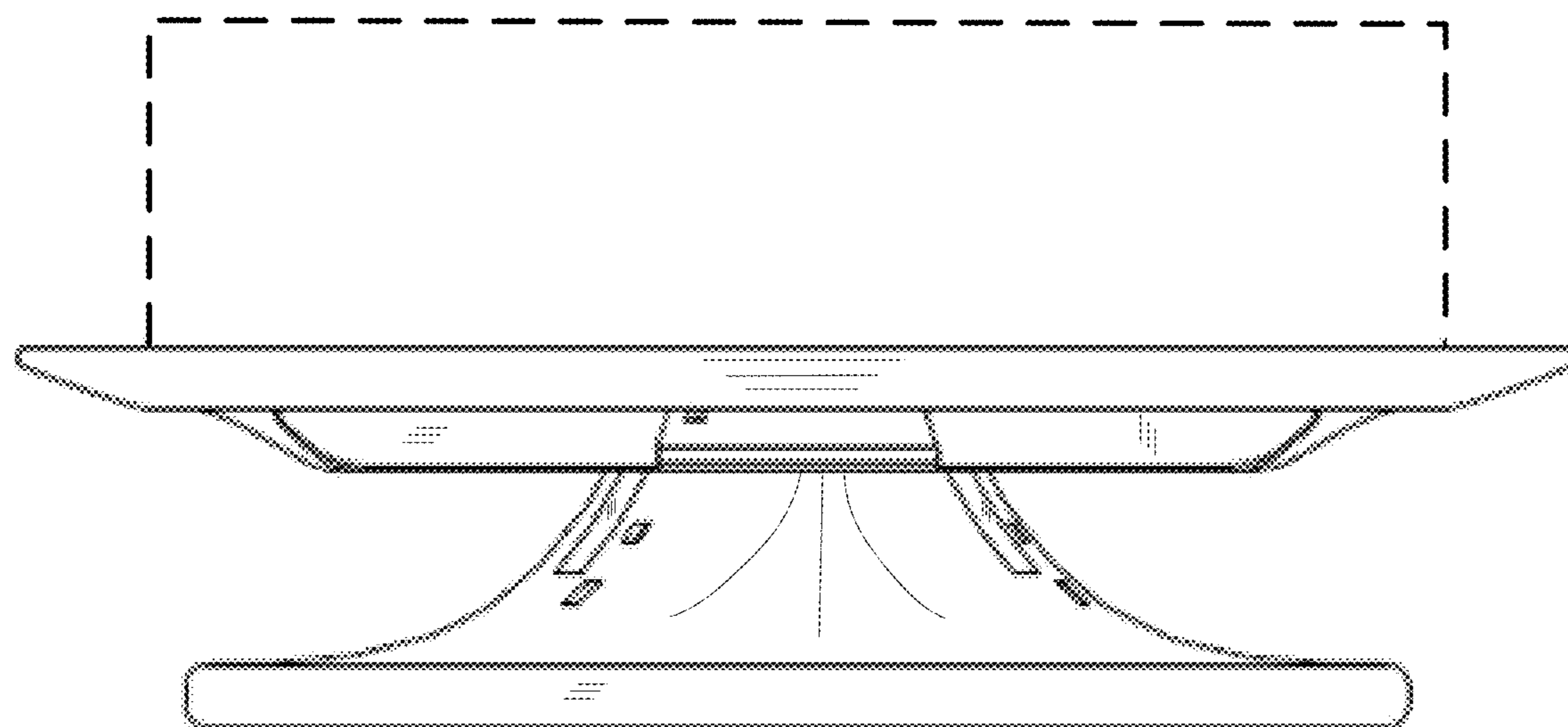


FIG. 5

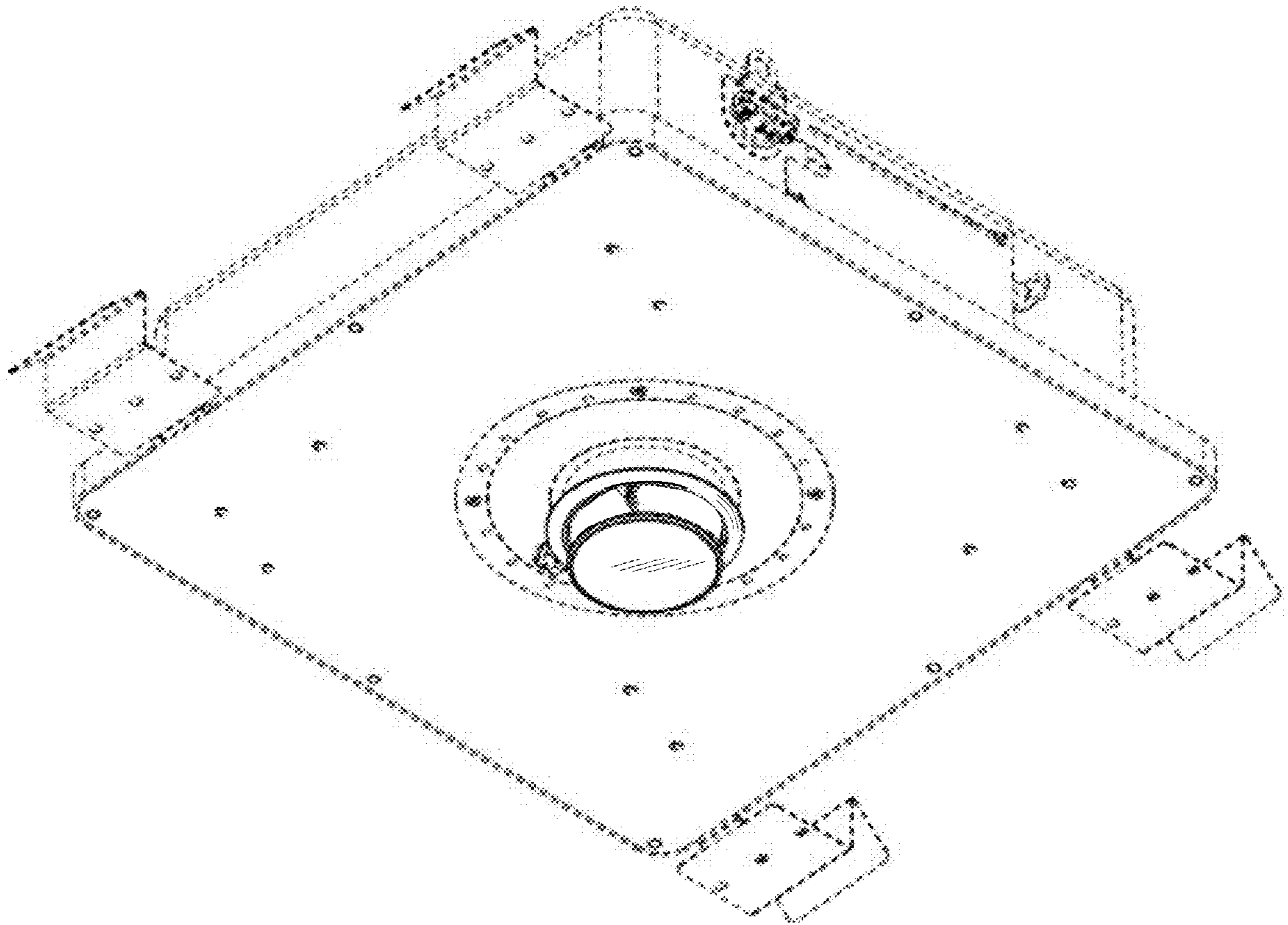


FIG. 6