



US00D882545S

(12) **United States Design Patent**
Li

(10) **Patent No.:** **US D882,545 S**

(45) **Date of Patent:** **** Apr. 28, 2020**

(54) **WIRELESS EARPHONE**

(71) Applicant: **LINDERO ELECTRONICS CO., LTD.**, Shenzhen, Guangdong (CN)

(72) Inventor: **Yongli Li**, Shenzhen (CN)

(**) Term: **15 Years**

(21) Appl. No.: **29/671,073**

(22) Filed: **Nov. 21, 2018**

(30) **Foreign Application Priority Data**

Jun. 6, 2018 (CN) 2018 3 0281159

(51) **LOC (12) Cl.** **14-01**

(52) **U.S. Cl.**
USPC **D14/205; D14/223**

(58) **Field of Classification Search**
USPC D14/205, 223, 218; 181/129, 130, 135;
379/430, 431; 381/380, 381, 832, 151,
381/326; 455/90.3, 575.1, 569.1
CPC H04R 1/10; H04R 25/00; H04R 1/1066;
H04R 1/1016; H04R 5/033; H04R
5/0335; H04R 1/1033; H04R 1/1041;
H04R 1/1091; H04R 1/105
See application file for complete search history.

(56) **References Cited**

U.S. PATENT DOCUMENTS

3,049,582 A * 8/1962 Shinn H01R 4/70
174/92
D311,007 S * 10/1990 Daido D14/205
D318,670 S * 7/1991 Taniguchi D14/205
5,410,608 A * 4/1995 Lucey H04R 1/083
381/360
6,122,369 A * 9/2000 Hwang H04M 1/6058
379/420.04
D473,217 S * 4/2003 Rivera D14/223
D539,782 S * 4/2007 Lee D14/188

D558,735 S * 1/2008 Carr D14/206
D564,495 S * 3/2008 Sasaki D14/205
D569,841 S * 5/2008 Chung D14/205
D572,703 S * 7/2008 Ledbetter D14/205
D578,508 S * 10/2008 Wang D14/206
D582,389 S * 12/2008 Bose D14/205
D582,889 S * 12/2008 Bose D14/205
D584,284 S * 1/2009 Carr D14/206
D599,778 S * 9/2009 Ando D14/205
D605,170 S * 12/2009 Keinanen D14/205
D605,628 S * 12/2009 Ando D14/205
D637,998 S * 5/2011 Brunner D14/205
7,949,127 B2 * 5/2011 Pedersen H04R 1/1066
379/430

(Continued)

FOREIGN PATENT DOCUMENTS

EM 004418572-0001 * 10/2017
EM 005808060-0001 * 10/2018
EM 006785242-0001 * 8/2019

Primary Examiner — Paula Allen Greene

(74) *Attorney, Agent, or Firm* — Jie Yang; ZanIP

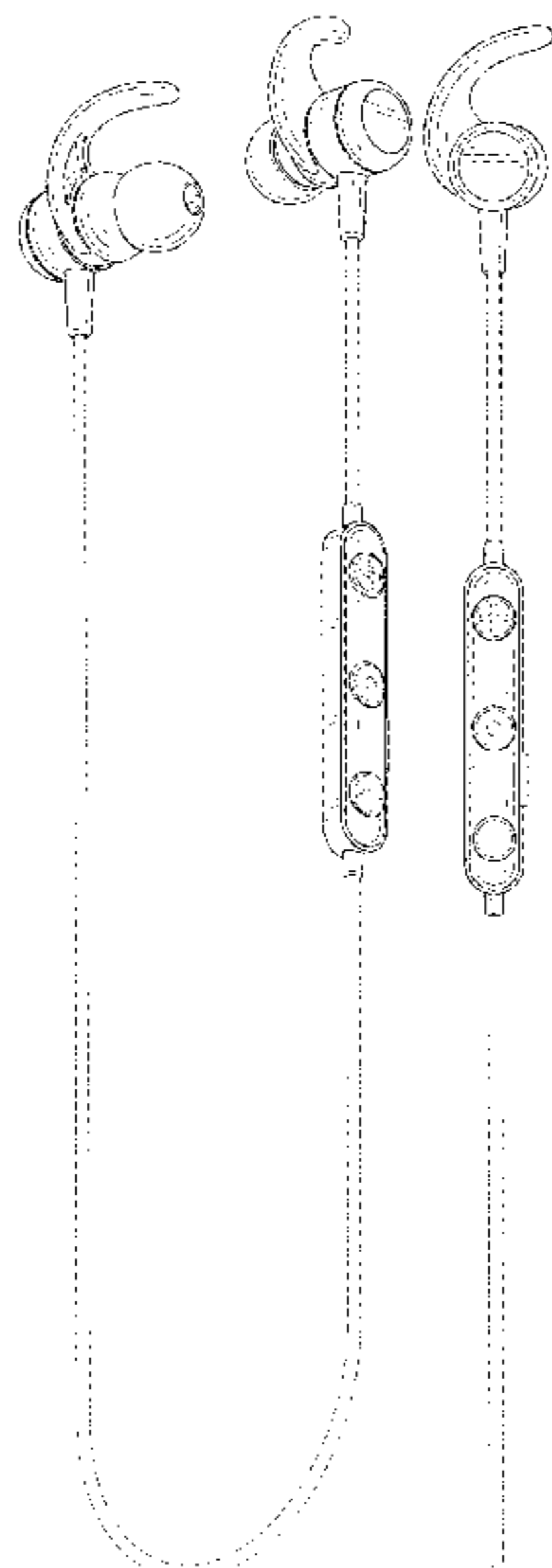
(57) **CLAIM**

The ornamental design for wireless earphone, as shown and described.

DESCRIPTION

FIG. 1 is a perspective view of a wireless earphone;
FIG. 2 is a front view of the wireless earphone;
FIG. 3 is a back view of the wireless earphone;
FIG. 4 is a left side elevation view of the wireless earphone;
FIG. 5 is a right side elevation view of the wireless ear-
phone;
FIG. 6 is a top plan view of the wireless earphone; and,
FIG. 7 is a bottom plan view of the wireless earphone.
The broken lines shown in the drawings disclosure are for
illustrative purposes only and form no part of the claimed
design.

1 Claim, 7 Drawing Sheets



(56)

References Cited

U.S. PATENT DOCUMENTS

D641,737 S *	7/2011	Krauss	D14/205	D727,279 S *	4/2015	Schaal	D14/205
D645,458 S *	9/2011	Silvestri	H04R 1/1016	D727,871 S *	4/2015	Orbach	D14/205
			D14/223	D738,864 S *	9/2015	Lee	D14/223
8,073,181 B2 *	12/2011	Bakalos	H04R 3/04	D739,852 S *	9/2015	Jiang	D14/240
			381/103	D741,299 S *	10/2015	Brunner	D14/223
D652,822 S *	1/2012	Lee	D14/223	D743,381 S *	11/2015	Pi	D14/218
D659,117 S *	5/2012	Krauss	D14/205	D745,489 S *	12/2015	Bjelle	D14/205
D678,251 S *	3/2013	Cantoni	D14/223	D747,291 S *	1/2016	Lee	D14/205
8,391,536 B2 *	3/2013	Hashimoto	H04R 1/1016	D758,335 S *	6/2016	Lee	D14/138 G
			381/370	D758,355 S *	6/2016	Lee	D14/223
D684,950 S *	6/2013	Schaal	D14/205	D760,189 S *	6/2016	Loh Jun Kern	D14/205
D684,953 S *	6/2013	Schaal	D14/205	D763,244 S *	8/2016	McGarry	D14/253
8,456,864 B2 *	6/2013	Stiehl	H01H 9/0228	D764,436 S *	8/2016	Dryden	D14/205
			361/832	D780,155 S *	2/2017	Levine	D14/205
D685,750 S *	7/2013	Nakagawa	D13/168	D780,157 S *	2/2017	Uggla	D14/205
D685,764 S *	7/2013	Coulter	D14/205	D782,442 S *	3/2017	Chen	D14/205
D686,191 S *	7/2013	Schaal	D14/205	D785,594 S *	5/2017	Zaihui	D14/205
8,477,062 B1 *	7/2013	Kanellis	G01S 13/94	D786,216 S *	5/2017	Silva	D14/205
			342/65	D793,995 S *	8/2017	Nakagawa	D14/218
D692,409 S *	10/2013	Takeo	D14/205	D796,484 S *	9/2017	Chen	D14/218
D695,265 S *	12/2013	Schaal	D14/205	D810,720 S *	2/2018	Lee	D14/205
D695,266 S *	12/2013	Schaal	D14/205	D812,038 S *	3/2018	Nakajima	D14/205
D695,267 S *	12/2013	Schaal	D14/205	D816,059 S *	4/2018	Liu	D14/205
D698,750 S *	2/2014	Yoon	D14/205	D817,301 S *	5/2018	Aoyagi	D14/205
D699,226 S *	2/2014	Yoon	D14/206	D820,810 S *	6/2018	Levine	D14/205
8,743,533 B2 *	6/2014	Stanley	H01H 9/0228	D821,999 S *	7/2018	Guo	D14/205
			361/679.01	D839,238 S *	1/2019	Hu	D14/205
D711,356 S *	8/2014	Yang	D14/223	D840,972 S *	2/2019	Luo	D14/205
D712,884 S *	9/2014	Krauss	D14/205	D845,282 S *	4/2019	Chen	D14/223
D715,253 S *	10/2014	Lee	D14/205	D845,926 S *	4/2019	Aoyagi	D14/205
8,909,899 B2 *	12/2014	Greiner	G06F 12/10	D853,360 S *	7/2019	Kawabata	D14/223
			711/156	D865,707 S *	11/2019	Bian	D14/205
D722,040 S *	2/2015	Tan	D14/205	D869,434 S *	12/2019	Biao	D14/205
D722,302 S *	2/2015	Lee	D14/205	2016/0073186 A1 *	3/2016	Searl	H04R 1/1016
D725,625 S *	3/2015	Hsieh	D14/205				381/380
D726,145 S *	4/2015	Hsieh	D14/205	2016/0261946 A1 *	9/2016	Chen	H04R 1/1016
				2017/0295421 A1 *	10/2017	Hung	H04R 1/1016
				2019/0349659 A1 *	11/2019	Ott	H04R 1/1066

* cited by examiner

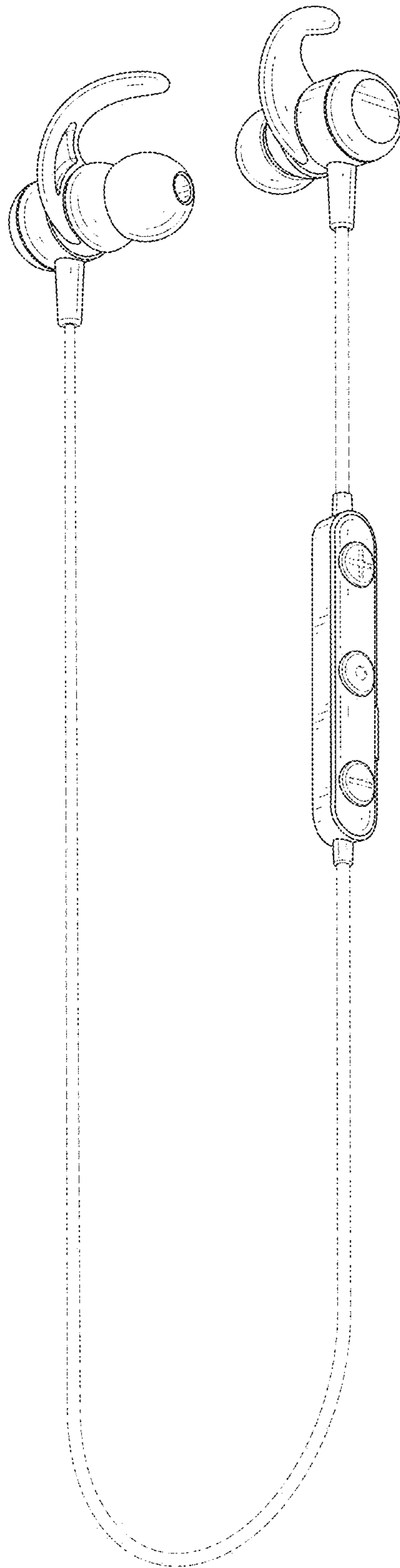


FIG. 1

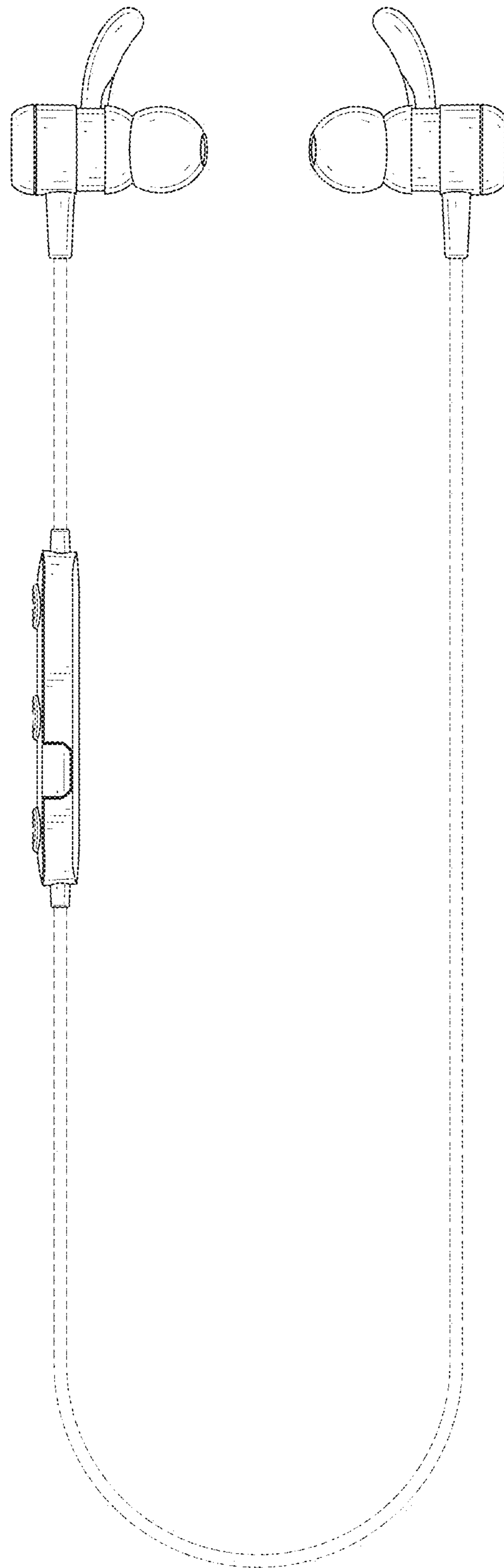


FIG. 2

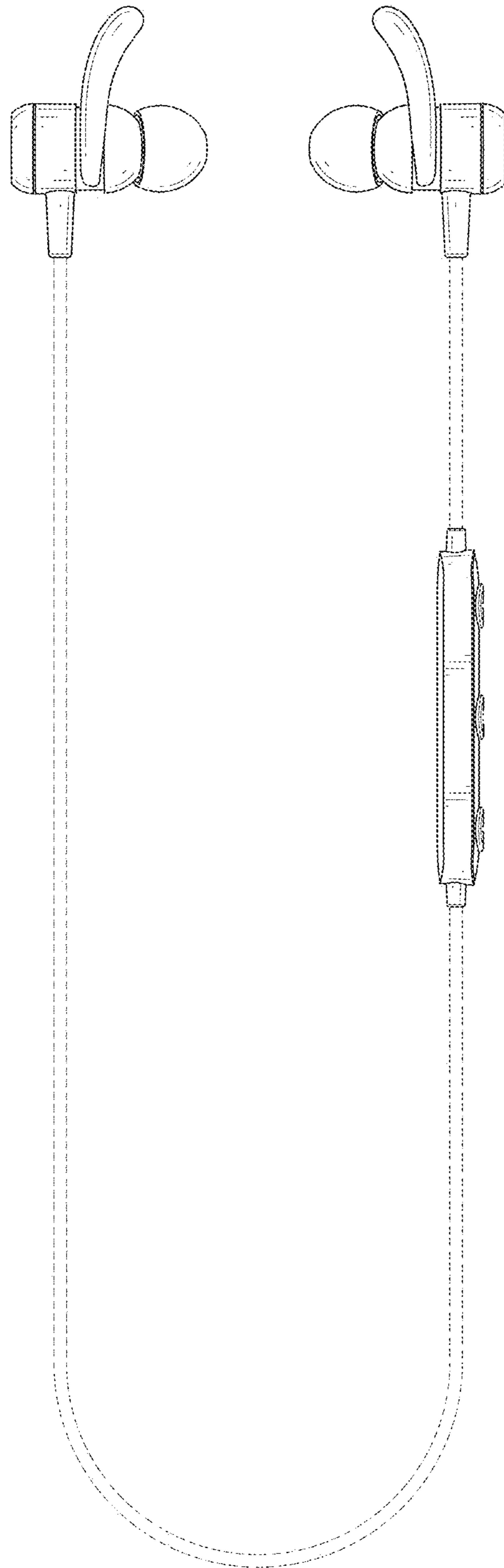


FIG. 3

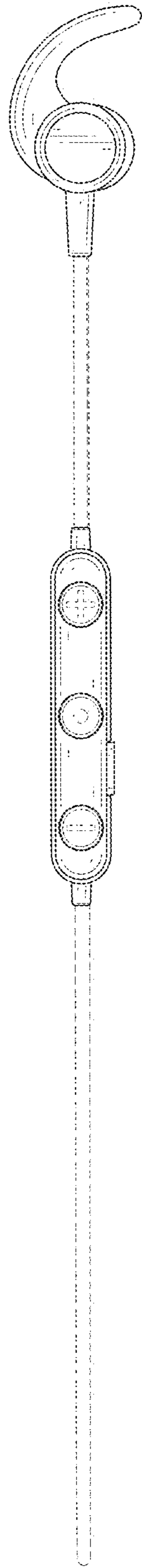


FIG. 4

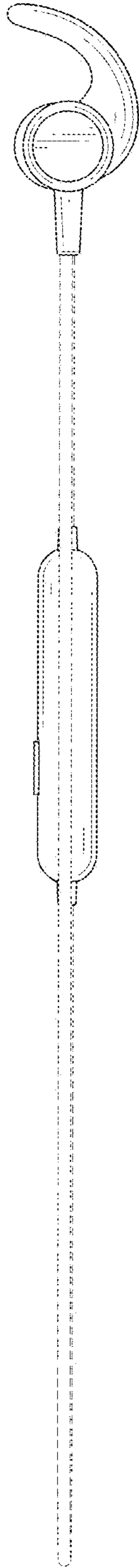


FIG. 5

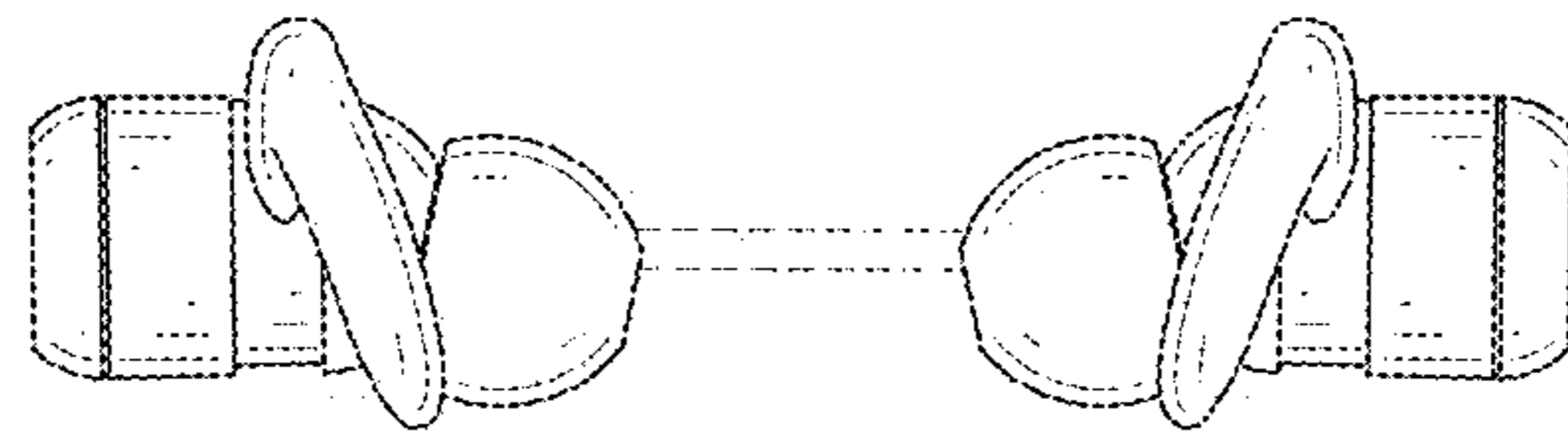


FIG. 6

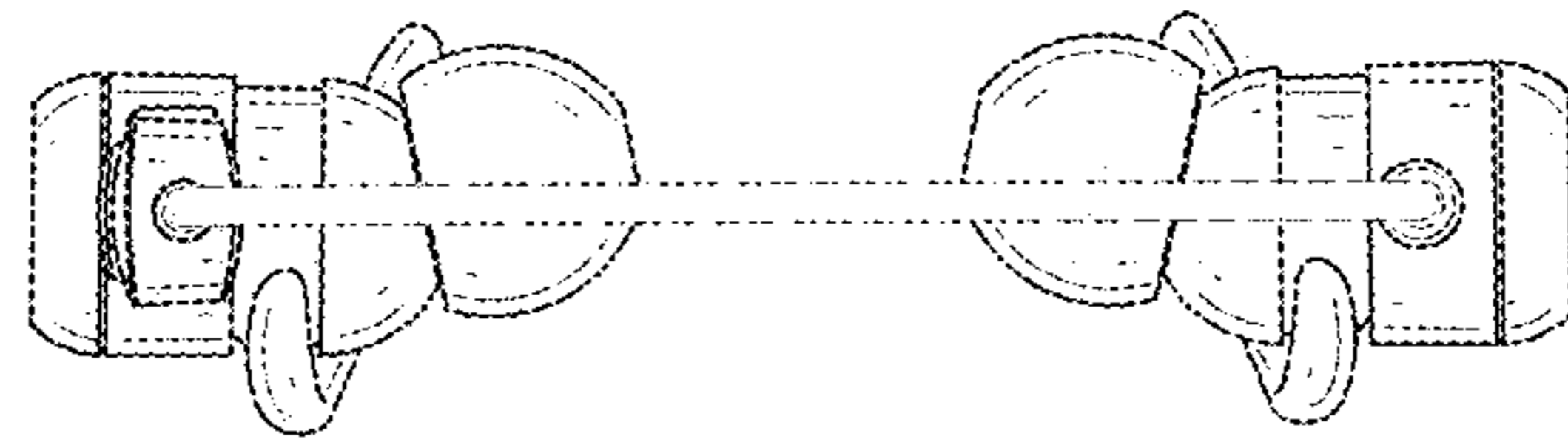


FIG. 7