



US00D882544S

(12) **United States Design Patent**  
**Paterson et al.**

(10) **Patent No.:** **US D882,544 S**  
(45) **Date of Patent:** **\*\* Apr. 28, 2020**

- (54) **COMMUNICATIONS HEADSET**
- (71) Applicant: **Plantronics, Inc.**, Santa Cruz, CA (US)
- (72) Inventors: **Nicholas W Paterson**, Santa Cruz, CA (US); **John A Kelley**, Santa Cruz, CA (US)
- (73) Assignee: **Plantronics, Inc.**, Santa Cruz, CA (US)
- (\*\*) Term: **15 Years**
- (21) Appl. No.: **29/641,325**
- (22) Filed: **Mar. 21, 2018**
- (51) **LOC (12) Cl.** ..... **14-01**
- (52) **U.S. Cl.**  
USPC ..... **D14/205**
- (58) **Field of Classification Search**  
USPC ..... D14/206, 205; D29/112; 2/209;  
181/129, 130, 135; 379/430, 431;  
381/380, 381, 374; 455/90.3, 575.1,  
455/569.1; D28/41; 132/273, 275  
CPC .... H04R 1/1066; H04R 1/1016; H04R 25/00;  
H04R 5/033; H04R 5/0335; H04R 1/02;  
H04R 1/1083  
See application file for complete search history.

(56) **References Cited**  
U.S. PATENT DOCUMENTS

2,025,398	A *	12/1935	Pocock	.....	H04M 1/05 D14/205
D233,444	S *	10/1974	Christian	.....	D14/206
D246,242	S *	11/1977	Bellini	.....	D14/205
D299,337	S *	1/1989	Wiegel	.....	D14/206
D302,429	S *	7/1989	Leer	.....	D14/137
D322,071	S *	12/1991	Bergin	.....	D14/205
5,068,923	A *	12/1991	Sjoqvist	.....	A61F 11/14 181/129
D327,265	S *	6/1992	Jasey	.....	D14/138 R
5,138,722	A *	8/1992	Urella	.....	A61F 11/14 2/209

5,345,512	A *	9/1994	Lee	.....	H04R 1/1066 181/136
5,793,878	A *	8/1998	Chang	.....	H04R 5/0335 381/370
D398,309	S *	9/1998	Bergin	.....	D14/206
6,560,346	B2 *	5/2003	Ohta	.....	H04R 1/083 381/370
D488,146	S *	4/2004	Minto	.....	D14/206
D517,528	S *	3/2006	Skulley	.....	D14/206
D518,479	S *	4/2006	Skulley	.....	D14/225
D539,789	S *	4/2007	Rausch	.....	D14/225
D540,303	S *	4/2007	Rausch	.....	D14/205
D540,778	S *	4/2007	Thompson	.....	D14/206
D563,382	S *	3/2008	Wikel	.....	D14/205
7,412,070	B2 *	8/2008	Kleinschmidt	.....	H04R 1/1083 381/370
D635,958	S *	4/2011	Ando	.....	D14/205

(Continued)

*Primary Examiner* — Paula Allen Greene

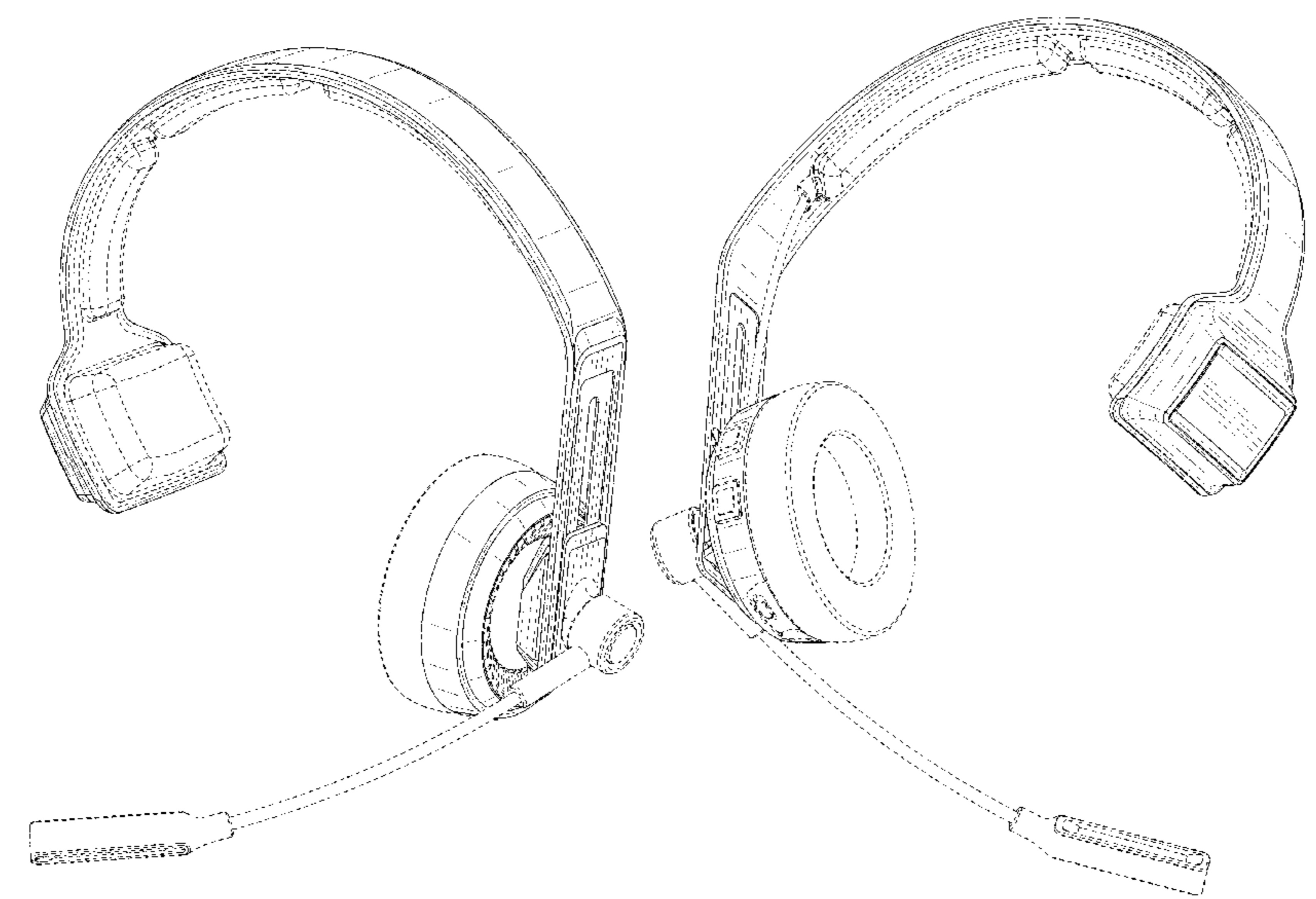
(57) **CLAIM**

The ornamental design for a communications headset, as shown and described.

**DESCRIPTION**

FIG. 1 is a front- right perspective view of a communications headset showing my new design;  
 FIG. 2 is a back-left perspective view thereof;  
 FIG. 3 is a front view thereof;  
 FIG. 4 is a back view thereof;  
 FIG. 5 is a right side view thereof;  
 FIG. 6 is a left side view thereof;  
 FIG. 7 is a top view thereof; and,  
 FIG. 8 is a bottom view thereof.  
 The broken lines immediately adjacent to the shaded areas represent the bounds of the claimed design while all other broken lines are directed to environment and are for illustrative purposes only. The broken lines form no part of the claimed design.

**1 Claim, 8 Drawing Sheets**



(56)

References Cited

U.S. PATENT DOCUMENTS

D638,000	S *	5/2011	Hoggarth .....	D14/206
D654,471	S *	2/2012	Fischer .....	D14/206
D662,912	S *	7/2012	Iijima .....	D14/205
D672,745	S *	12/2012	Abed .....	D14/205
D732,001	S *	6/2015	Licht .....	D14/205
D766,206	S *	9/2016	Paterson .....	D14/205
D766,207	S *	9/2016	Paterson .....	D14/205
D766,208	S *	9/2016	Paterson .....	D14/205
D800,091	S *	10/2017	Paterson .....	D14/206
D800,092	S *	10/2017	Paterson .....	D14/206
D808,359	S *	1/2018	Meyer .....	D14/205
D810,718	S *	2/2018	Galler .....	D14/205
D815,614	S *	4/2018	Tzeng .....	D14/205
D843,343	S *	3/2019	Paterson .....	D14/205
D843,349	S *	3/2019	Burgess .....	D14/206
D847,117	S *	4/2019	Summerson .....	D14/206
2001/0017925	A1 *	8/2001	Ceravolo .....	H04M 1/05 381/370
2005/0220318	A1 *	10/2005	Han .....	H04R 1/1008 381/371
2010/0040252	A1 *	2/2010	Thompson .....	H04R 1/083 381/375
2011/0194721	A1 *	8/2011	Schmidt .....	H04R 1/1066 381/370

\* cited by examiner

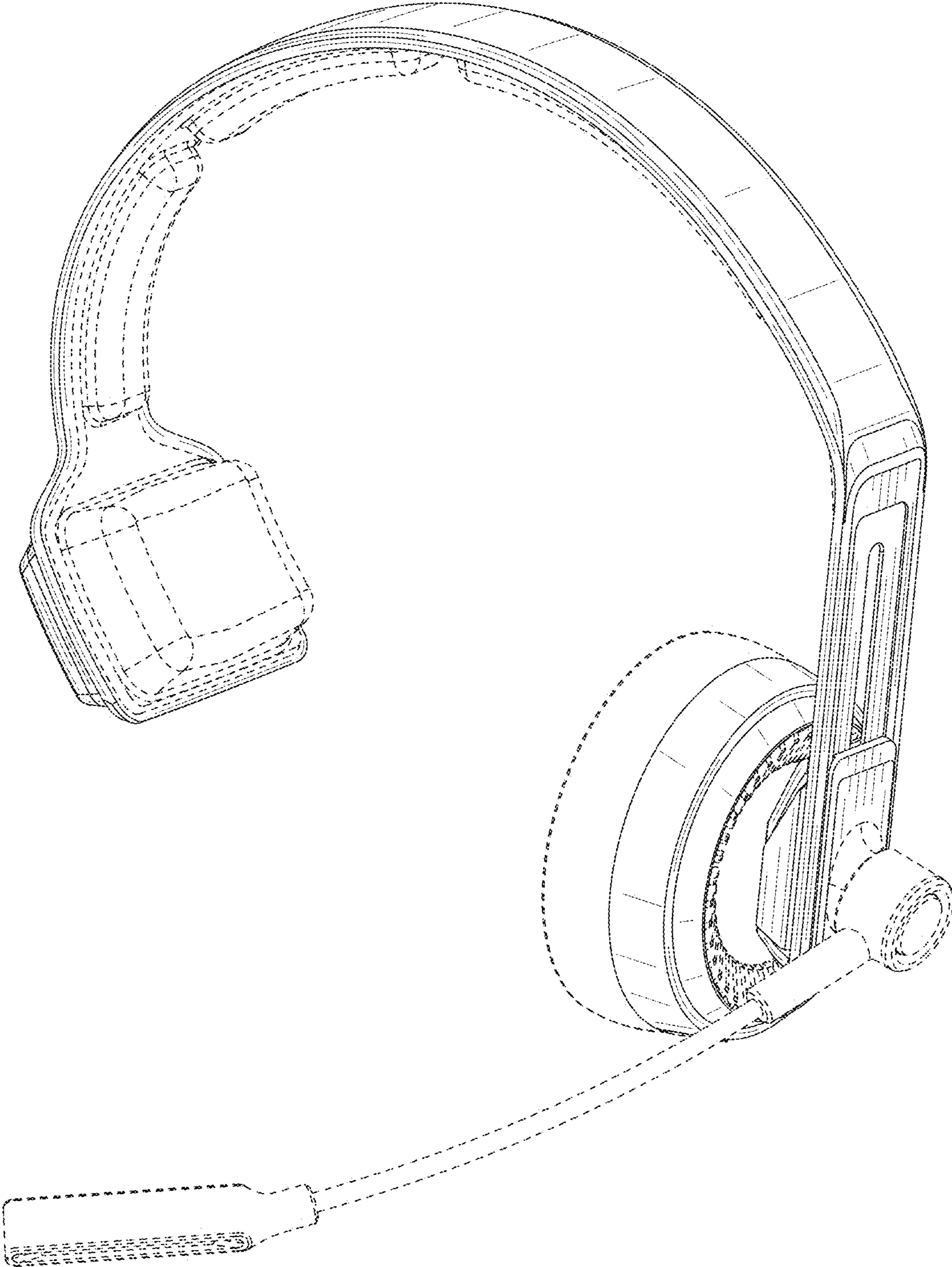


FIG. 1



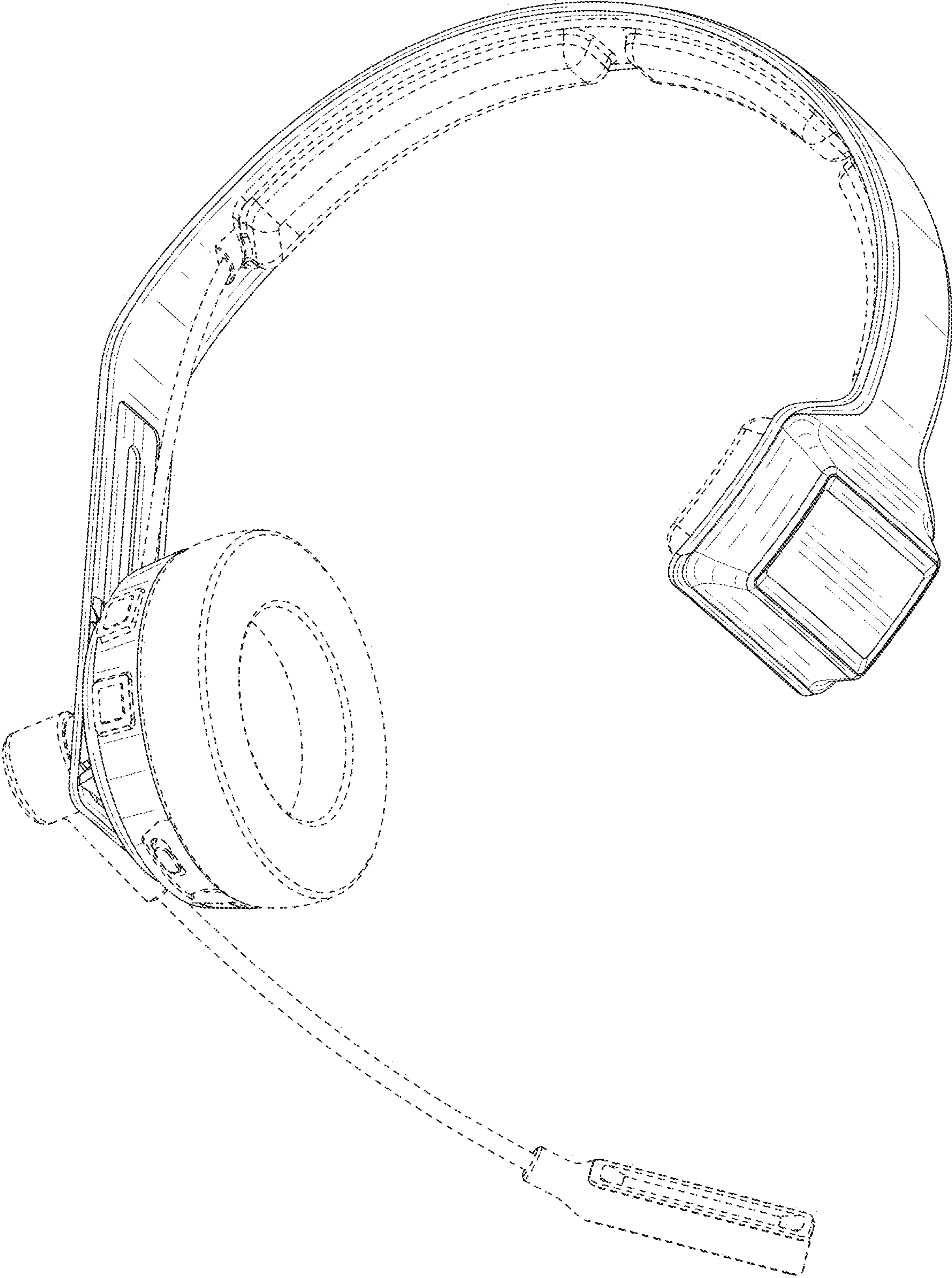


FIG. 2

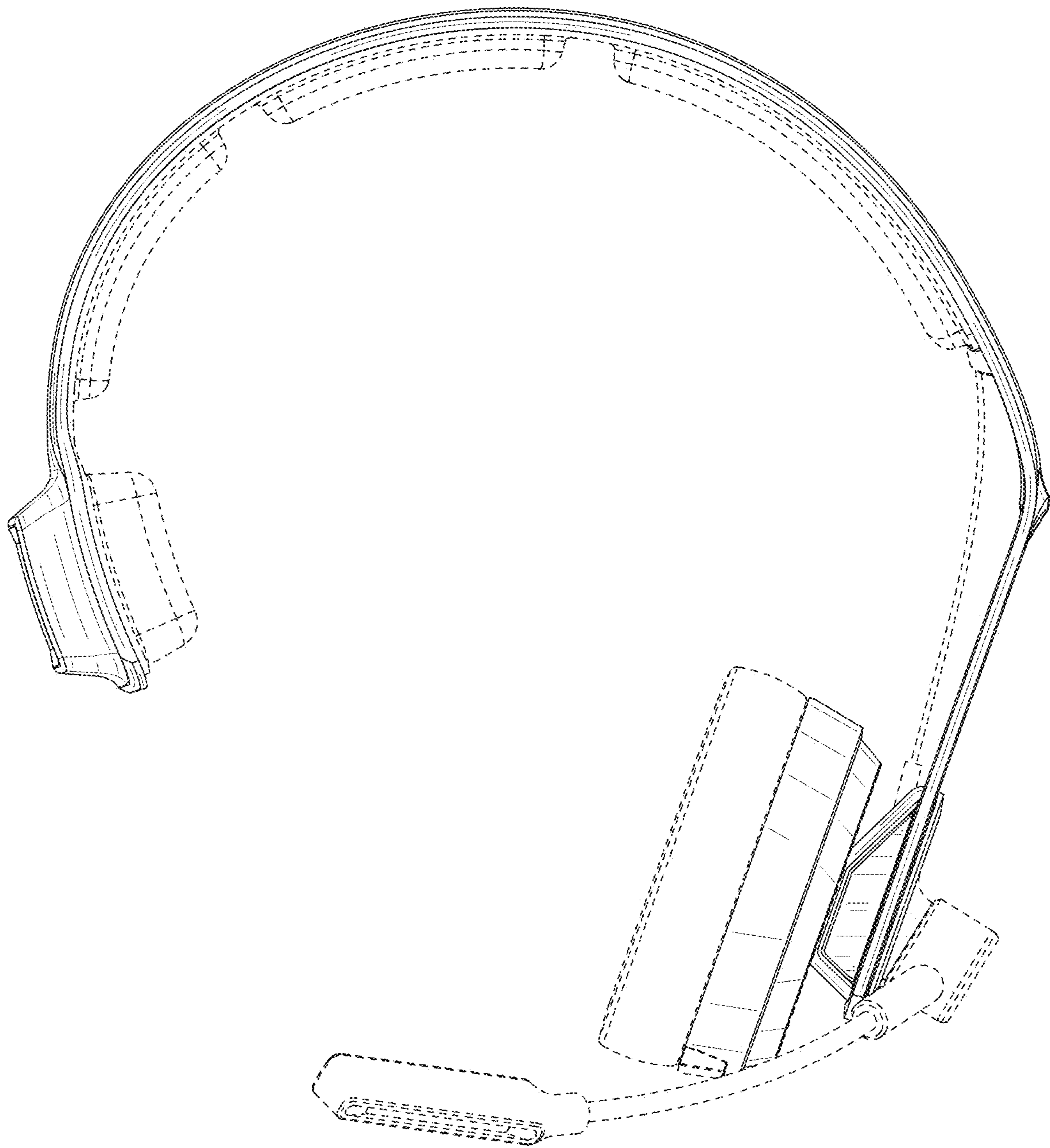


FIG. 3

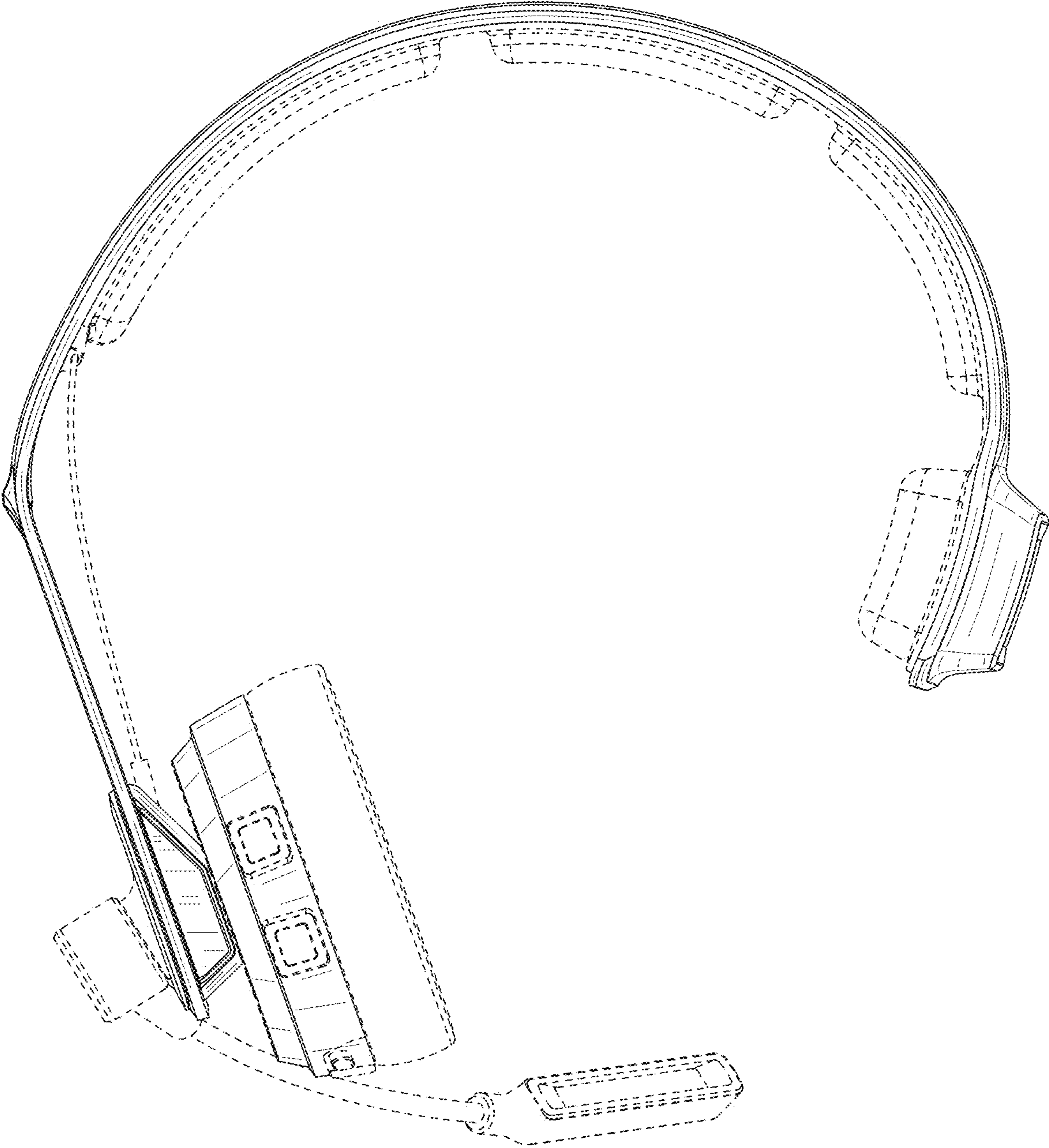


FIG. 4

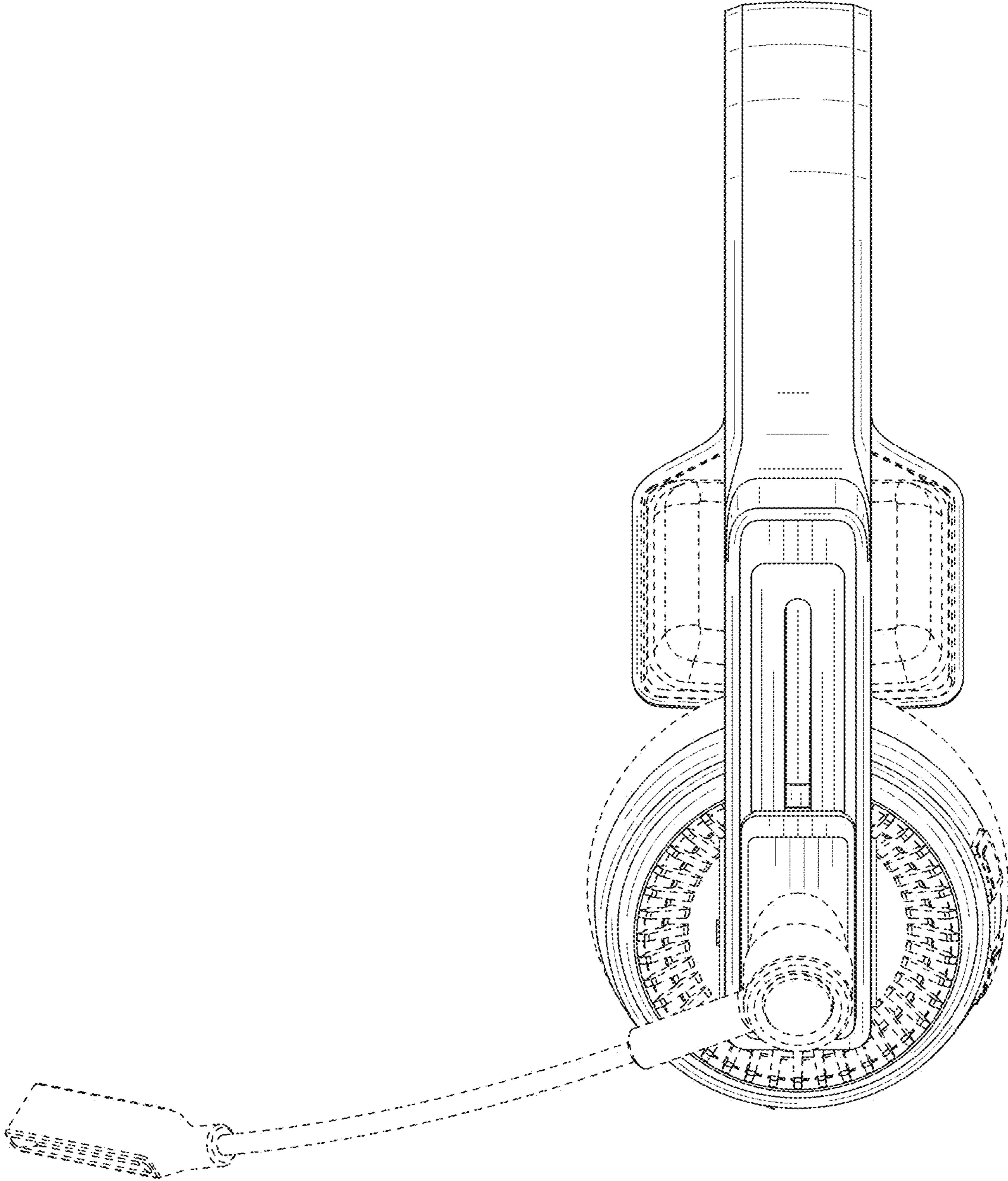


FIG. 5



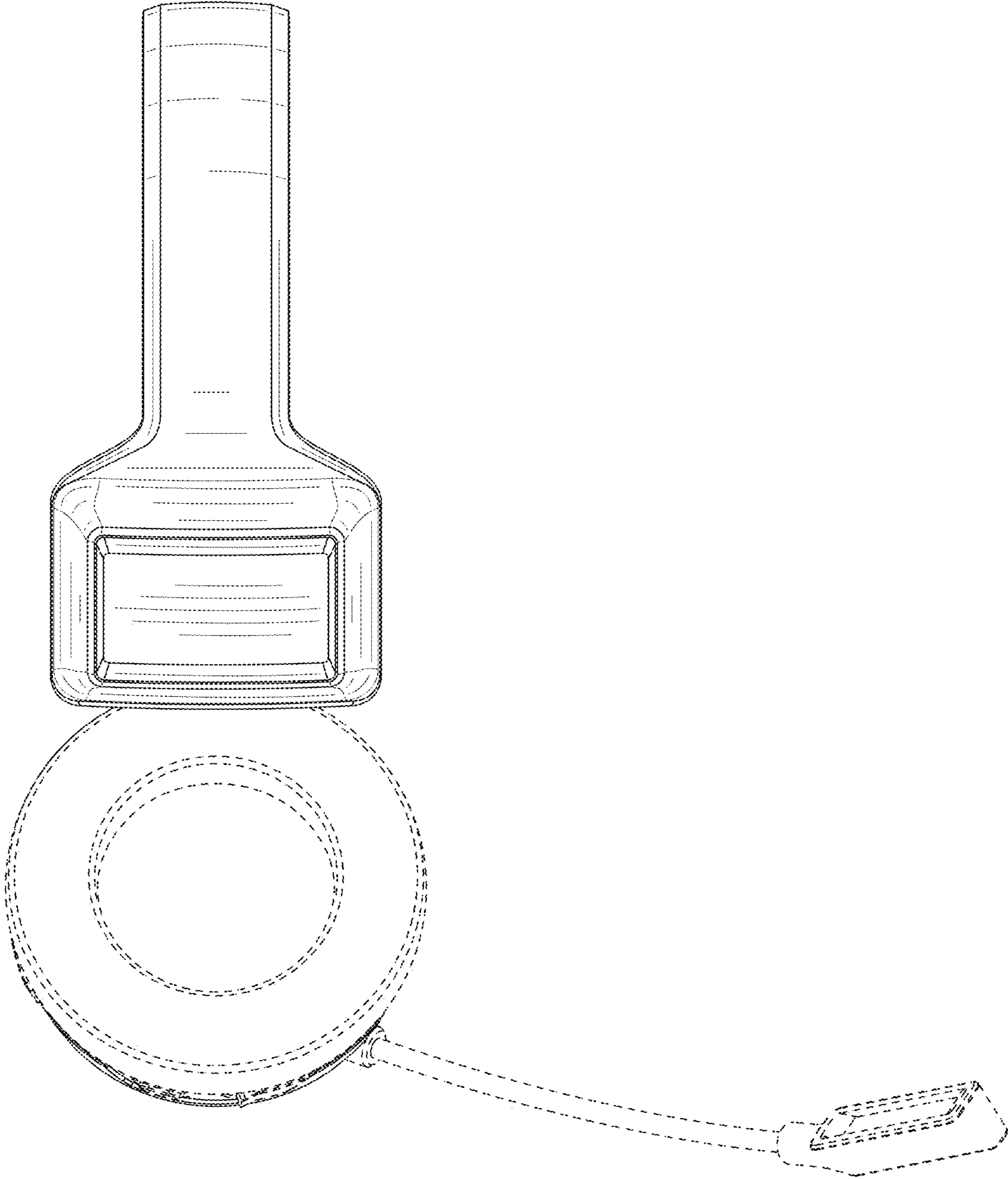


FIG. 6



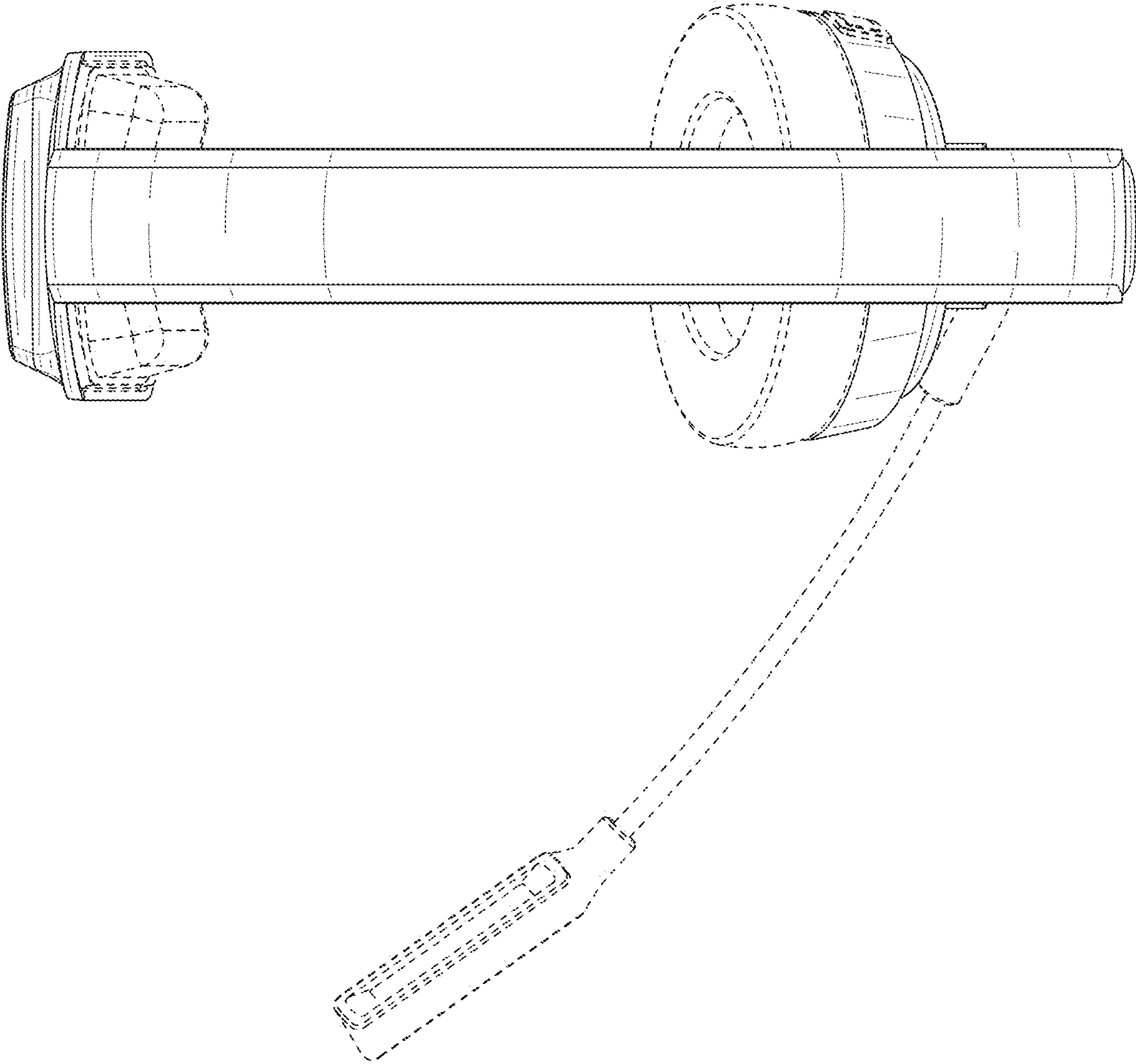


FIG. 7

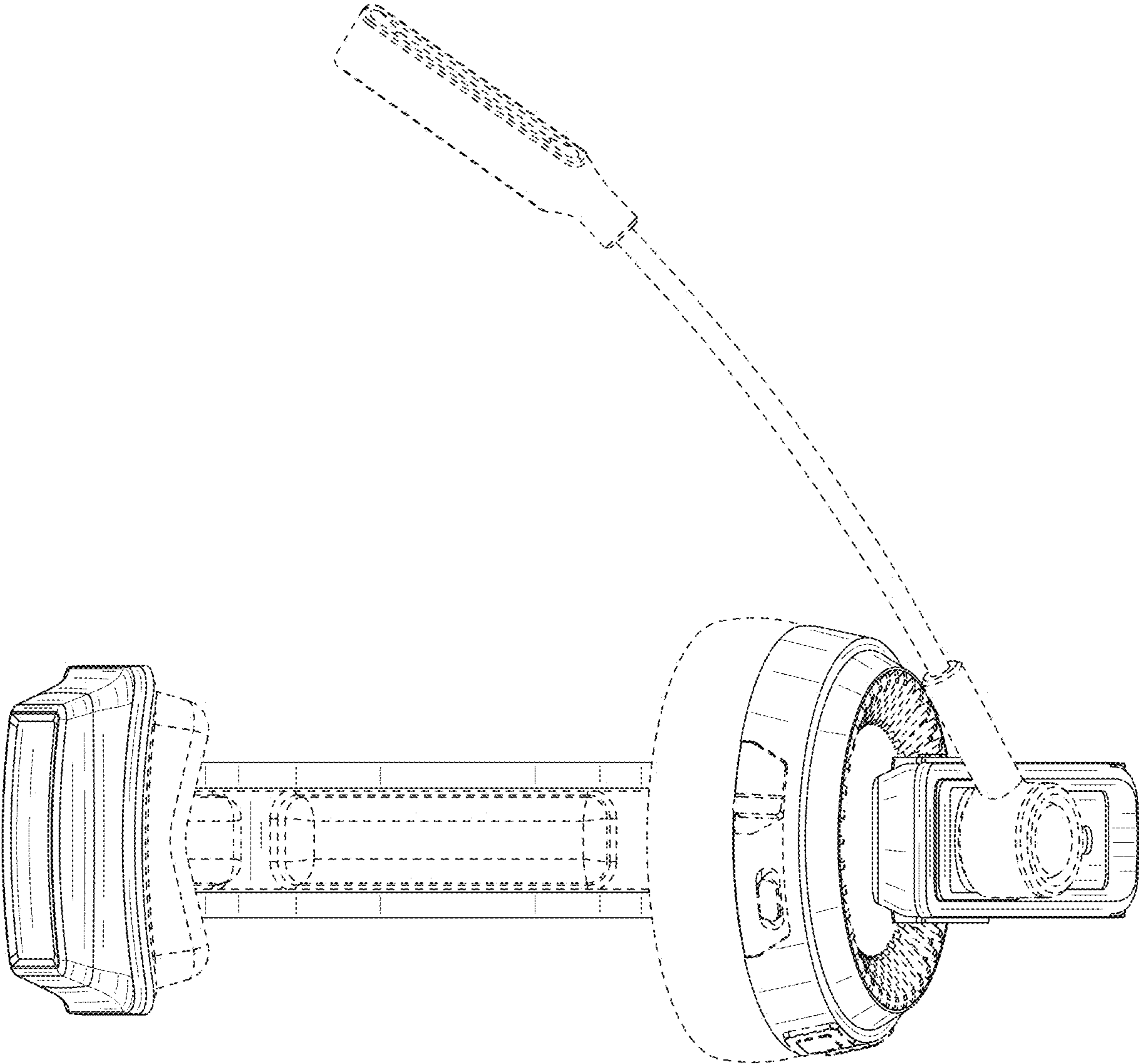


FIG. 8