



US00D882542S

(12) **United States Design Patent** (10) **Patent No.:** **US D882,542 S**
Yan (45) **Date of Patent:** **** Apr. 28, 2020**

(54) **RADIO**

(71) Applicant: **Doudou Yan**, Guangdong (CN)

(72) Inventor: **Doudou Yan**, Guangdong (CN)

(**) Term: **15 Years**

(21) Appl. No.: **29/649,208**

(22) Filed: **May 29, 2018**

(51) **LOC (12) Cl.** **14-03**

(52) **U.S. Cl.**
USPC **D14/188**

(58) **Field of Classification Search**
USPC D14/167, 168, 170–172, 187, 188,
D14/194–196, 204, 207, 209.1, 210–216,
D14/219, 221, 222, 224, 239, 496;
181/143, 144, 147, 148, 150, 153, 157,
181/198, 199; 381/300–303, 306, 332,
381/333, 336, 345, 361–364, 386–388;
369/6–12
CPC B60R 11/0217; G06F 1/1688; G10K 9/22;
G10K 11/004; H03F 1/327; H04M 1/03;
H04M 1/035; H04N 5/642; H04N
21/4852; H04R 1/02; H04R 1/06; H04R
1/021; H04R 1/025; H04R 1/026; H04R
1/028; H04R 1/105; H04R 1/323; H04R
1/403; H04R 1/2803; H04R 1/2834;
H04R 5/02; H04R 7/20; H04R 9/06;
H04R 9/025; H04R 2201/021; H04R
2400/00; H04R 2201/07; H04R 2499/11;
H04R 2499/13; H04R 2499/15; H04S
3/00; H04S 7/30

See application file for complete search history.

(56) **References Cited**

U.S. PATENT DOCUMENTS

D160,970 S *	11/1950	Reynolds, Jr.	D14/195
D163,507 S *	6/1951	Adler	D14/195
3,981,265 A *	9/1976	Gilbert	H03J 1/04 116/262
D250,535 S *	12/1978	Kato	D14/198
D252,810 S *	9/1979	Bocko	D14/198
4,181,823 A *	1/1980	DeLamoreaux	G11B 31/003 360/137
D259,789 S *	7/1981	Watanabe	D14/197
D417,871 S *	12/1999	Hisatsune	D14/188
D452,225 S *	12/2001	Becker	D14/155
D515,551 S *	2/2006	Watanabe	D14/194
D608,339 S *	1/2010	Sanders	D14/188
D721,738 S *	1/2015	Hochman	D14/496
D746,254 S *	12/2015	Ito	D14/188

* cited by examiner

Primary Examiner — Katie Jane Stoffko

(74) *Attorney, Agent, or Firm* — Justin Lampel

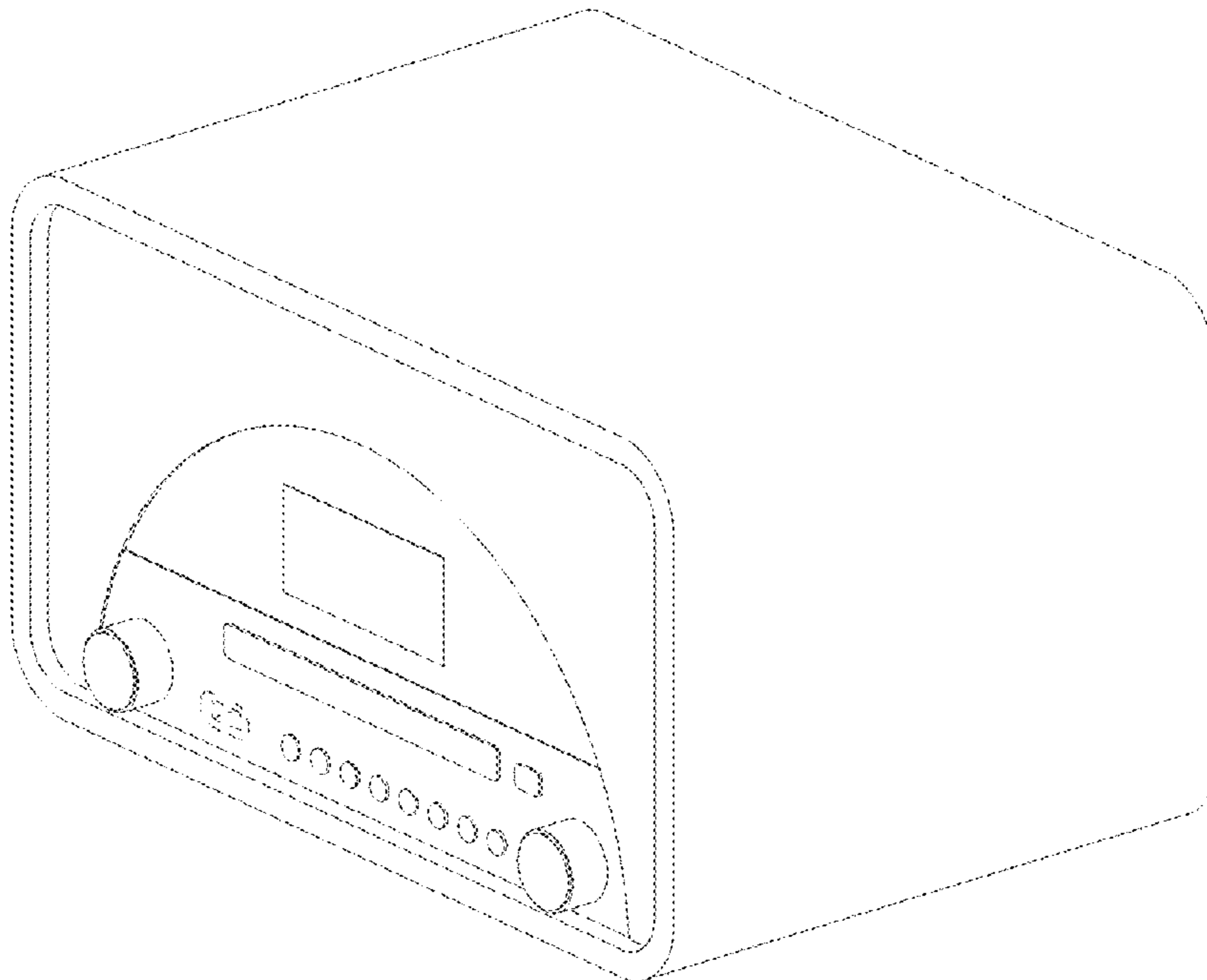
(57) **CLAIM**

The ornamental design for a radio, as shown and described.

DESCRIPTION

FIG. 1 is a perspective view of a radio showing my new design;
FIG. 2 is a front side view thereof;
FIG. 3 is a rear side view thereof;
FIG. 4 is a right side view thereof
FIG. 5 is a left side view thereof;
FIG. 6 is a bottom plan view thereof; and,
FIG. 7 is a top plan view thereof.
The broken lines in the drawings illustrate portions of the radio that form no part of the claimed design.

1 Claim, 7 Drawing Sheets



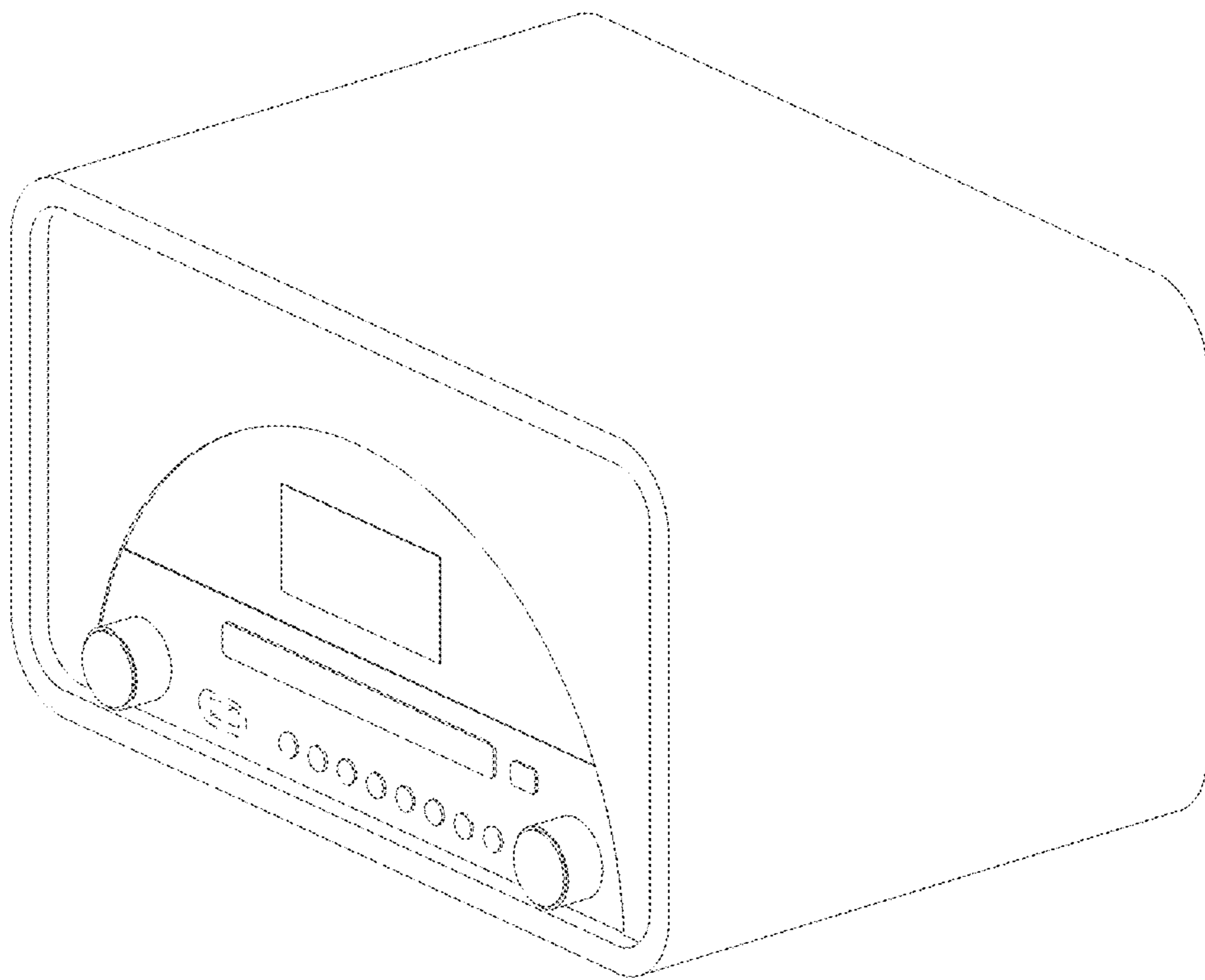


FIG.1

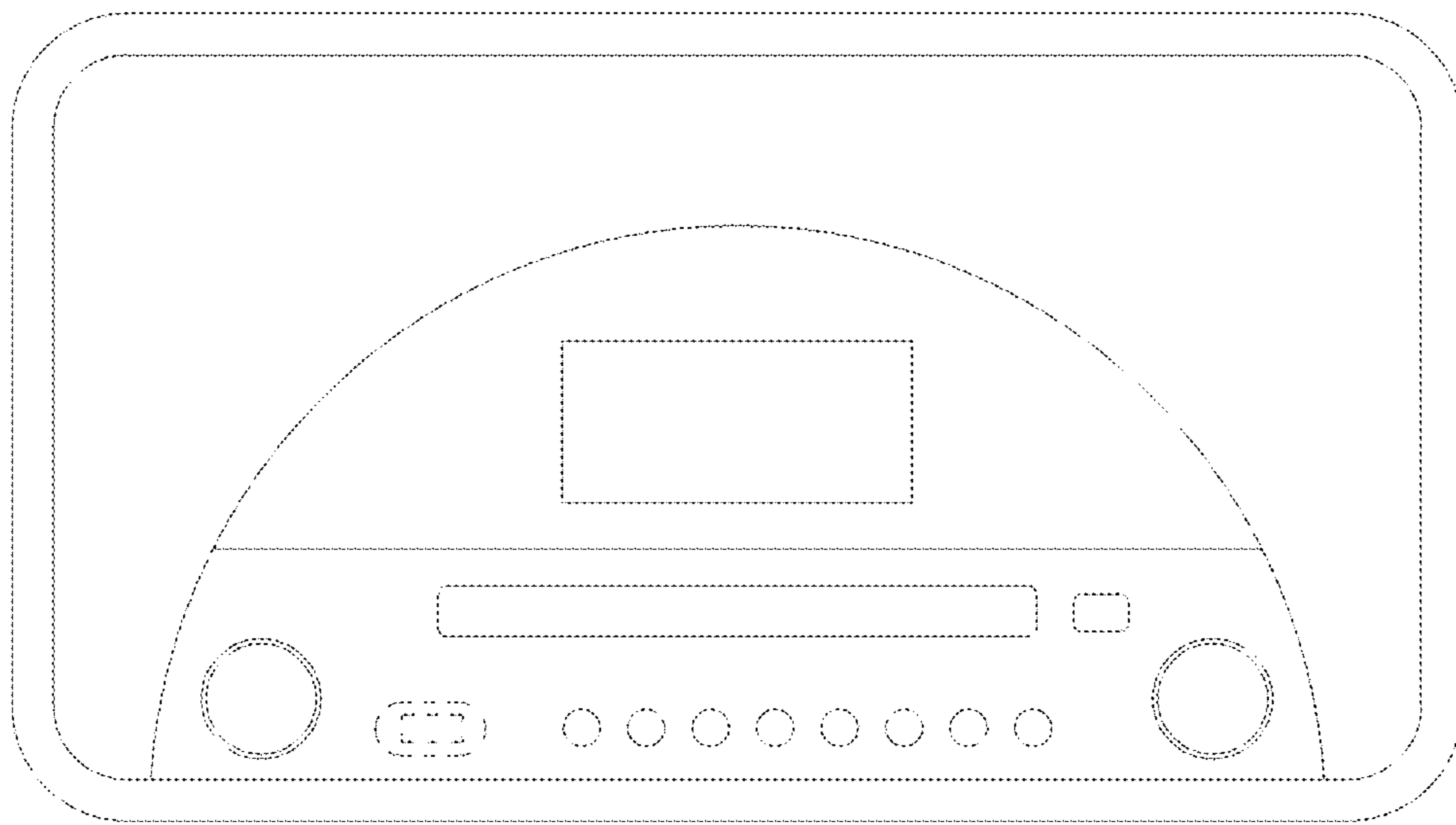


FIG.2

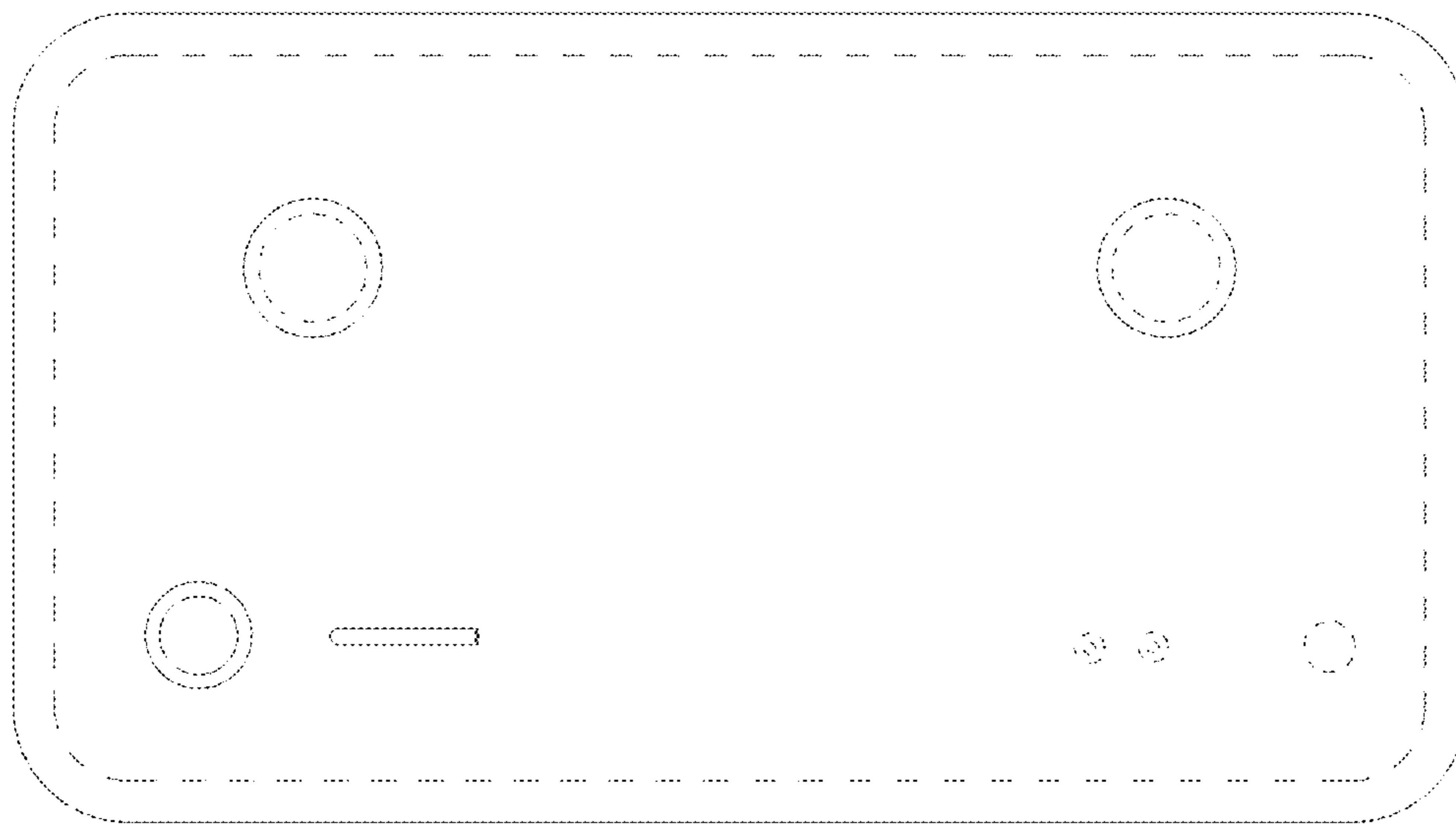


FIG.3



FIG.4



FIG.5

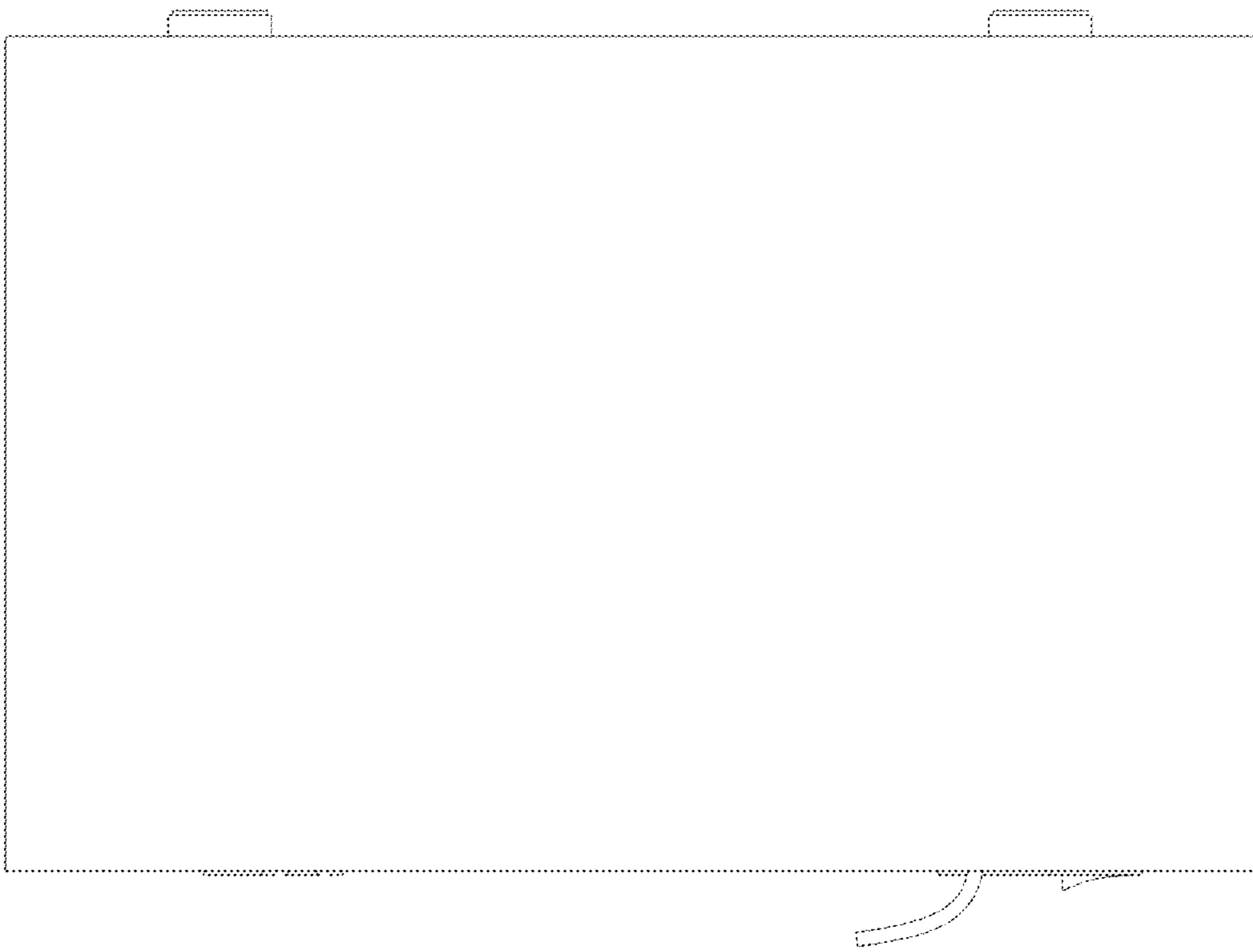


FIG. 6

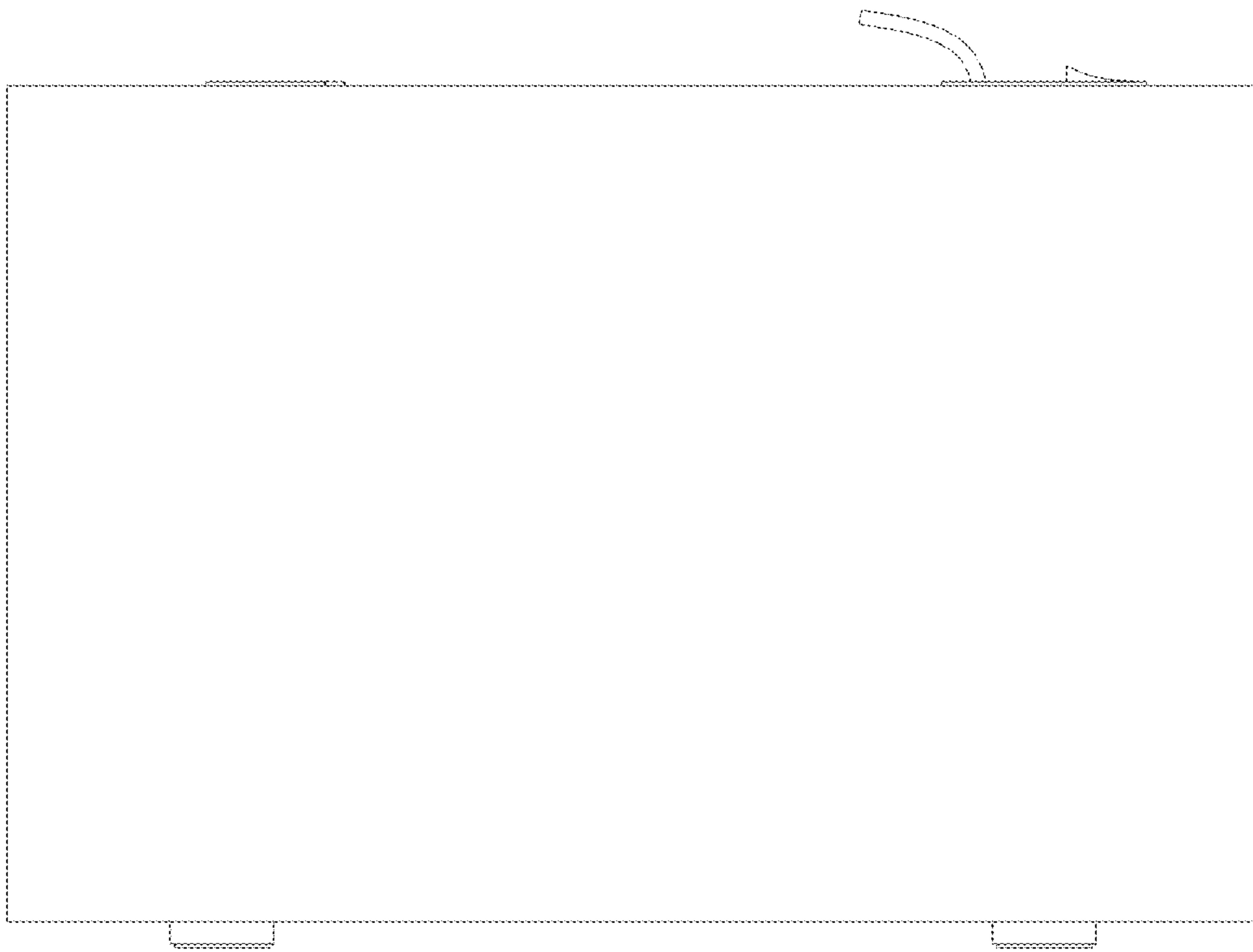


FIG. 7