



US00D882539S

(12) **United States Design Patent**
Choubey et al.

(10) **Patent No.:** **US D882,539 S**
(45) **Date of Patent:** **** Apr. 28, 2020**

(54) **ELECTRICAL HOUSING**

(71) Applicant: **Facebook, Inc.**, Menlo Park, CA (US)

(72) Inventors: **Neeraj Choubey**, Belmont, CA (US);
Eric P. Aldenbrook, Cupertino, CA (US);
Mark Duncan Brinkerhoff, Campbell, CA (US);
Gary Robert Schultheis, Scotts Valley, CA (US);
Ronald Scott Boeder, Livermore, CA (US);
Victor Carrasco, San Jose, CA (US)

(73) Assignee: **Facebook, Inc.**, Menlo Park, CA (US)

(**) Term: **15 Years**

(21) Appl. No.: **29/592,848**

(22) Filed: **Feb. 2, 2017**

(51) **LOC (12) Cl.** **13-03**

(52) **U.S. Cl.**
USPC **D13/184; D14/358**

(58) **Field of Classification Search**
USPC ... D13/184, 158, 159, 162, 123, 152, 139.3,
D13/179, 133; D14/238, 240
(Continued)

(56) **References Cited**

U.S. PATENT DOCUMENTS

D312,244 S * 11/1990 Collins D13/152
D360,620 S * 7/1995 Gehrs D13/152
(Continued)

Primary Examiner — Keli L Hill
Assistant Examiner — Harold E Blackwell, II
(74) *Attorney, Agent, or Firm* — Baker Botts L.L.P.

(57) **CLAIM**

The ornamental design for an electrical housing, as shown and described.

DESCRIPTION

FIG. 1 is a view of an electrical housing showing the design.
FIG. 2 is another view thereof.

FIG. 3 is another view thereof.
FIG. 4 is another view thereof.
FIG. 5 is another view thereof.
FIG. 6 is another view thereof.
FIG. 7 is another view thereof.
FIG. 8 is another view thereof.
FIG. 9 is another view thereof.
FIG. 10 is another view thereof.
FIG. 11 is another view thereof.
FIG. 12 is another view thereof.
FIG. 13 is another view thereof.
FIG. 14 is another view thereof.
FIG. 15 is a view of another embodiment of an electrical housing showing the design.
FIG. 16 is another view thereof.
FIG. 17 is another view thereof.
FIG. 18 is another view thereof.
FIG. 19 is another view thereof.
FIG. 20 is another view thereof.
FIG. 21 is another view thereof.
FIG. 22 is another view thereof.
FIG. 23 is another view thereof.
FIG. 24 is another view thereof.
FIG. 25 is another view thereof.
FIG. 26 is another view thereof.
FIG. 27 is a view of another embodiment of an electrical housing showing the design.
FIG. 28 is another view thereof.
FIG. 29 is another view thereof.
FIG. 30 is another view thereof.
FIG. 31 is another view thereof.
FIG. 32 is another view thereof.
FIG. 33 is another view thereof.
FIG. 34 is another view thereof.
FIG. 35 is another view thereof.
FIG. 36 is another view thereof.
FIG. 37 is another view thereof.
FIG. 38 is another view thereof.
FIG. 39 is another view thereof.
FIG. 40 is another view thereof.

(Continued)

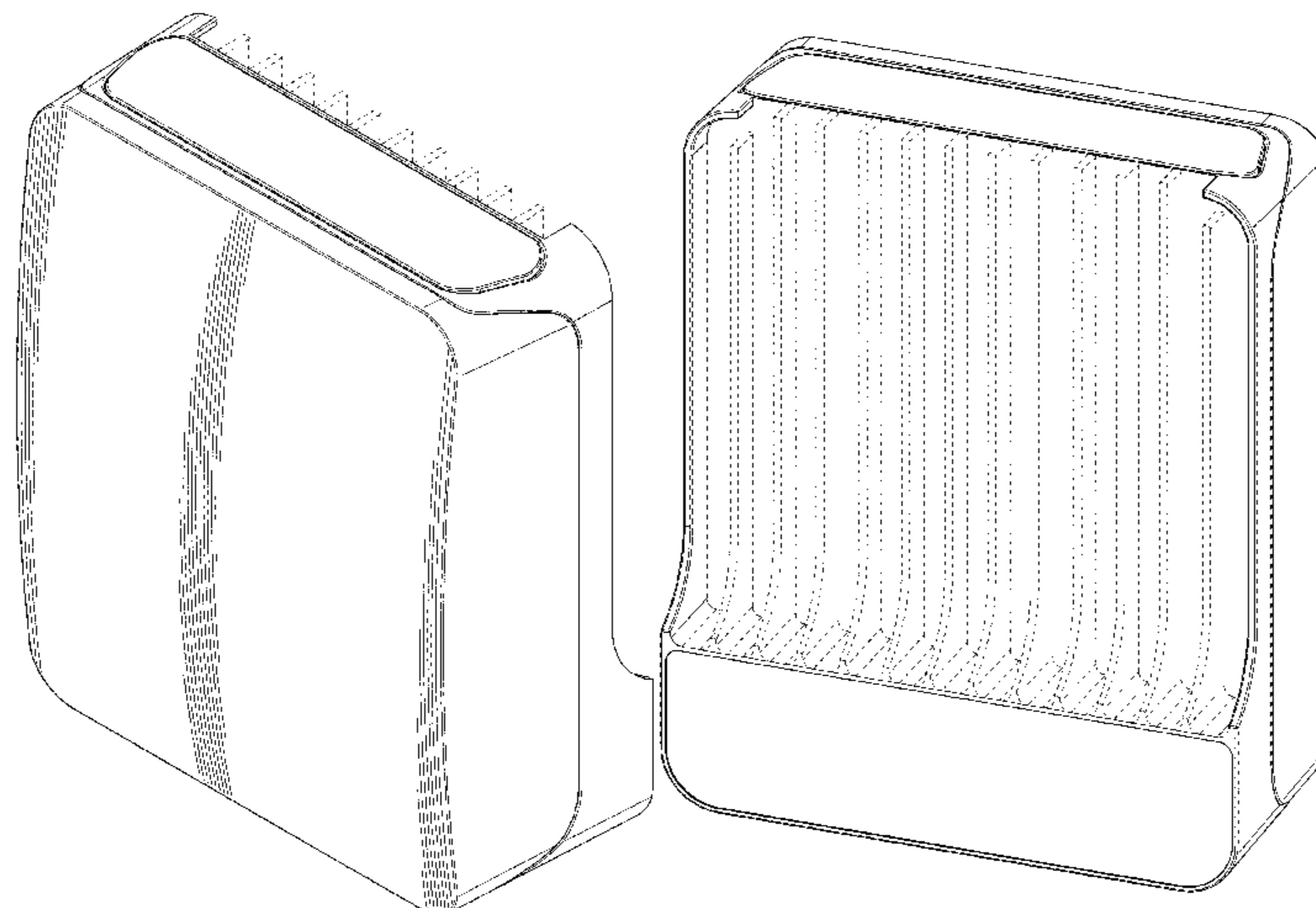


FIG. 41 is another view thereof.
 FIG. 42 is another view thereof.
 FIG. 43 is another view thereof.
 FIG. 44 is another view thereof.
 FIG. 45 is a view of another embodiment of an electrical housing showing the design.
 FIG. 46 is another view thereof.
 FIG. 47 is another view thereof.
 FIG. 48 is another view thereof.
 FIG. 49 is another view thereof.
 FIG. 50 is another view thereof.
 FIG. 51 is another view thereof.
 FIG. 52 is another view thereof.
 FIG. 53 is another view thereof.
 FIG. 54 is another view thereof.
 FIG. 55 is another view thereof.
 FIG. 56 is another view thereof.
 FIG. 57 is another view thereof.
 FIG. 58 is another view thereof.
 FIG. 59 is another view thereof.
 FIG. 60 is another view thereof.
 FIG. 61 is another view thereof; and,
 FIG. 62 is another view thereof.
 The broken lines in the figures show portions of the electrical housing which form no part of the claimed design. The shade lines in the figures show contour and not surface ornamentation.

1 Claim, 35 Drawing Sheets

(58) **Field of Classification Search**
 CPC ... H04W 88/08; H04W 88/085; H04W 88/00;
 H04W 88/005; H04W 88/02; H04W
 88/12; H04W 88/14; H04W 88/16; H04W
 88/18; H04W 4/00; H04W 16/26; H01Q
 1/02; H01Q 1/2291; H01Q 1/246; H01Q
 1/42; H04B 1/38
 See application file for complete search history.

(56) **References Cited**

U.S. PATENT DOCUMENTS

D367,646	S	*	3/1996	Schneider	D13/152
5,497,416	A	*	3/1996	Butler, III	H04Q 1/028 379/397
D655,280	S	*	3/2012	MacManus	D14/140.1
D721,349	S	*	1/2015	Sugai	D14/159
D742,864	S	*	11/2015	Kurosawa	D14/240
D783,579	S	*	4/2017	MacManus	D14/240
D783,580	S	*	4/2017	MacManus	D14/240
D784,969	S	*	4/2017	MacManus	D14/240
D784,970	S	*	4/2017	MacManus	D14/240
D789,361	S	*	6/2017	Ali	D14/358
D791,767	S	*	7/2017	Ali	D14/358
D798,296	S	*	9/2017	Ali	D14/358
D825,557	S	*	8/2018	Matsumiya	D14/358
10,044,098	B2	*	8/2018	Ali	H01Q 1/44
D837,208	S	*	1/2019	Ali	D14/358
D837,209	S	*	1/2019	Ali	D14/358
D837,210	S	*	1/2019	Ali	D14/358
D837,784	S	*	1/2019	Ali	D14/358
D856,291	S	*	8/2019	Sun	D14/125

* cited by examiner

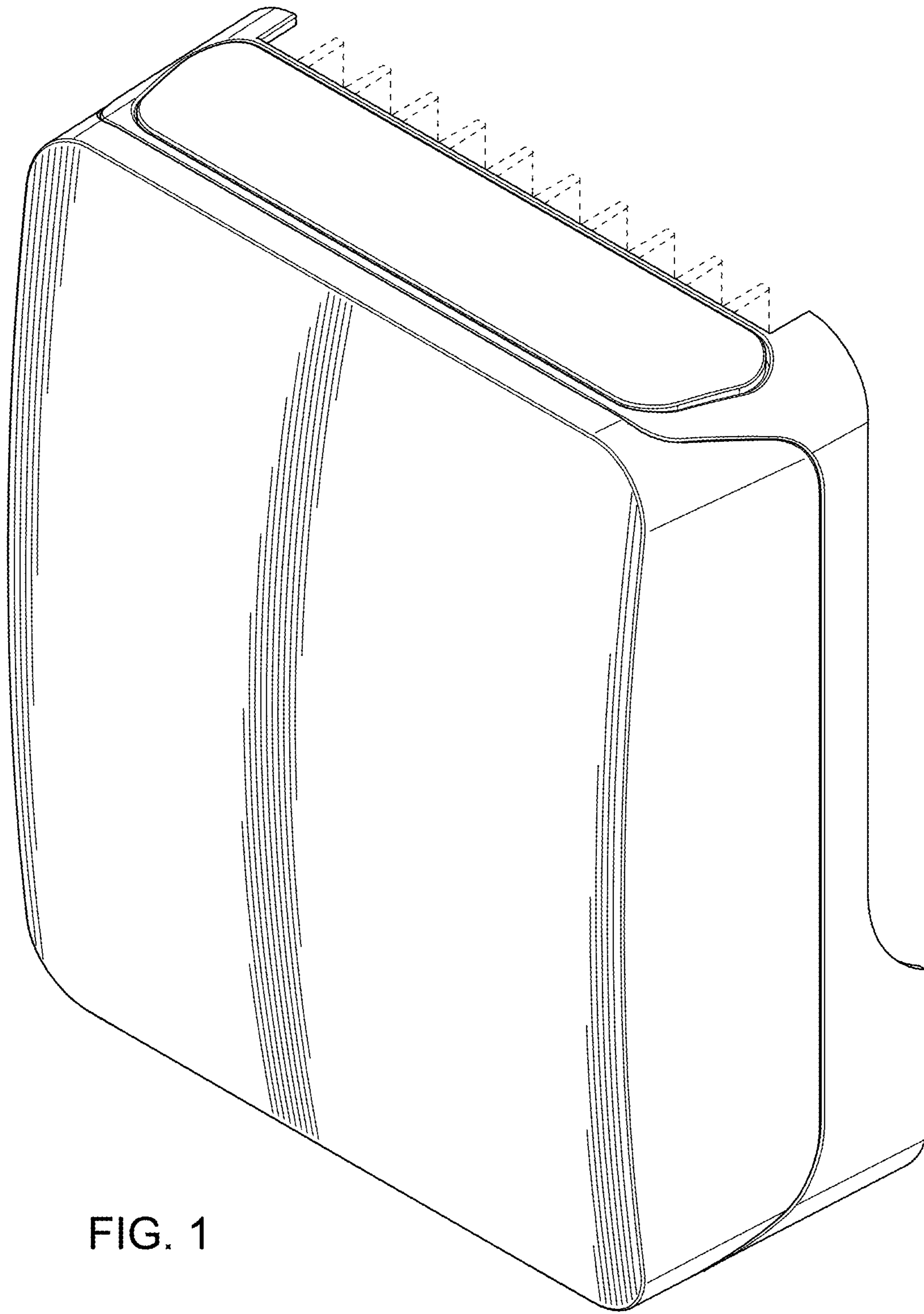


FIG. 1

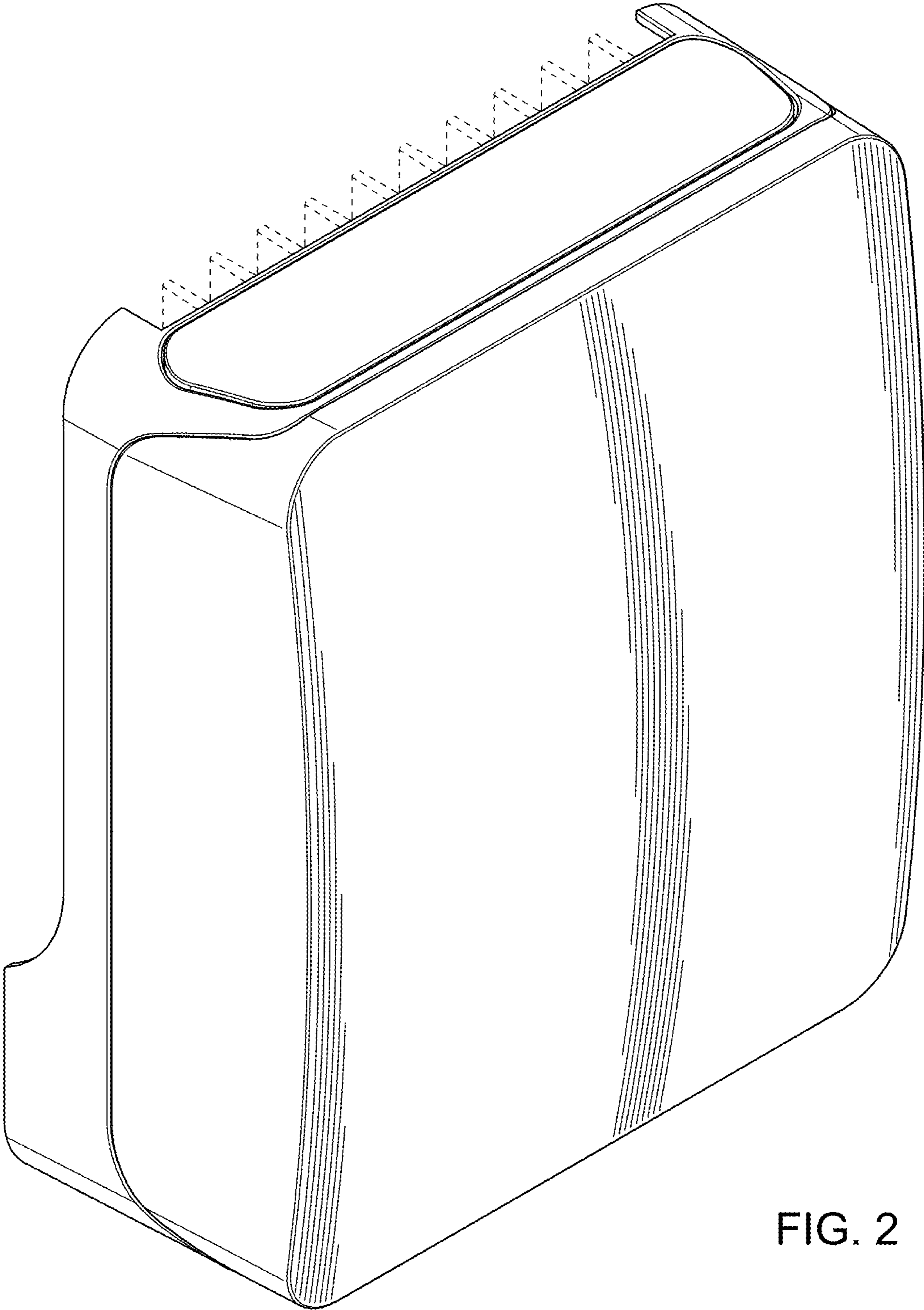


FIG. 2

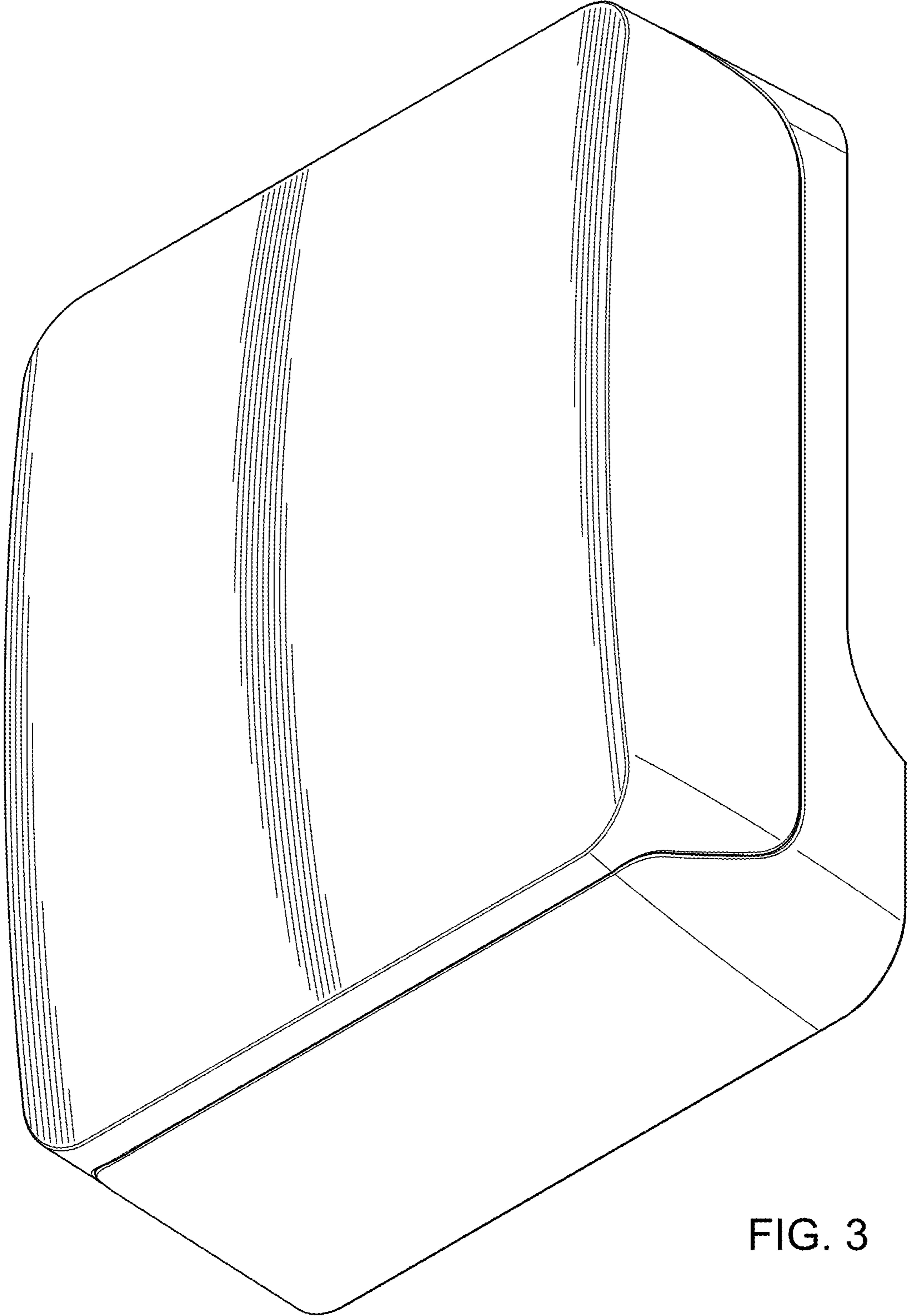


FIG. 3

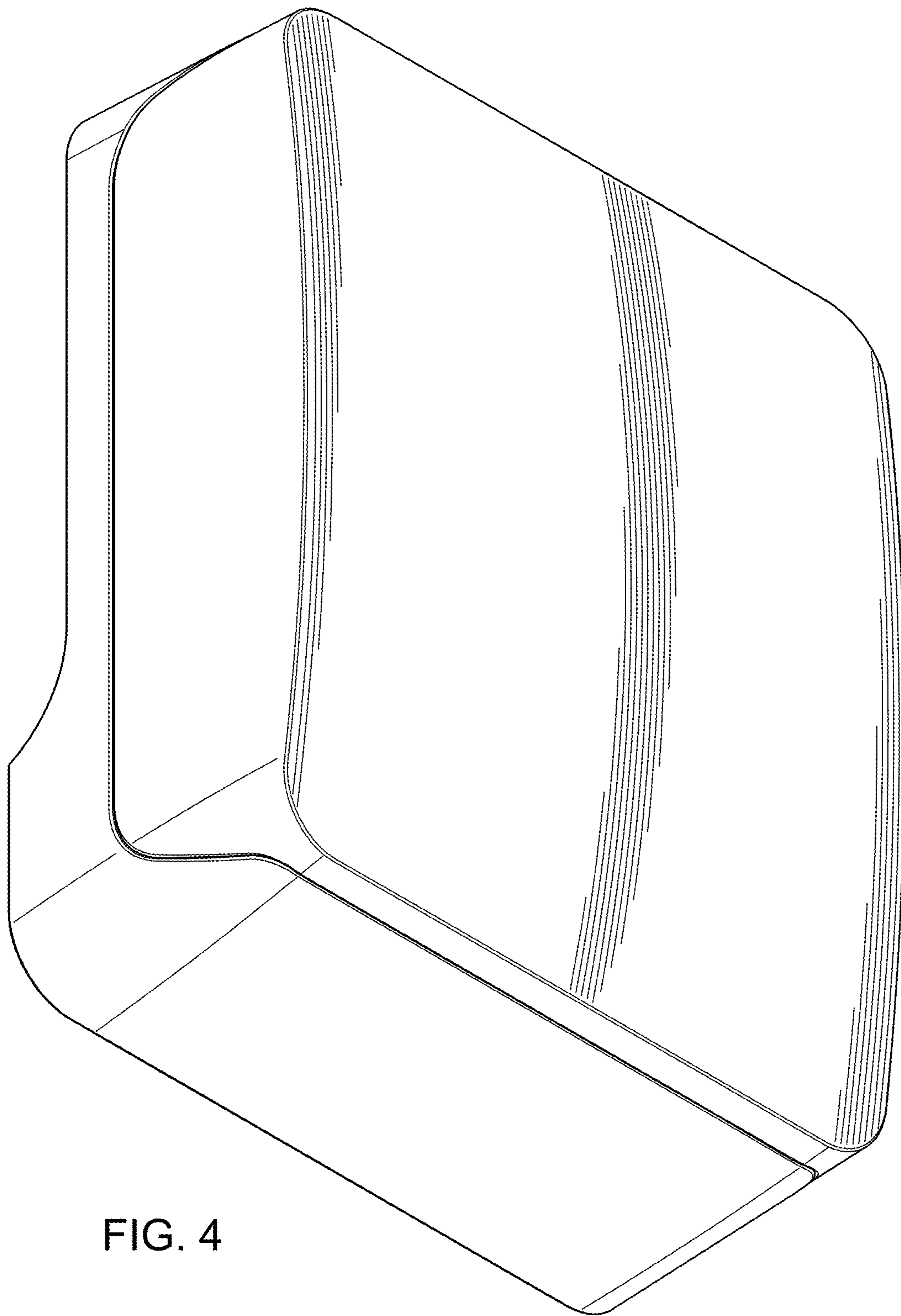


FIG. 4

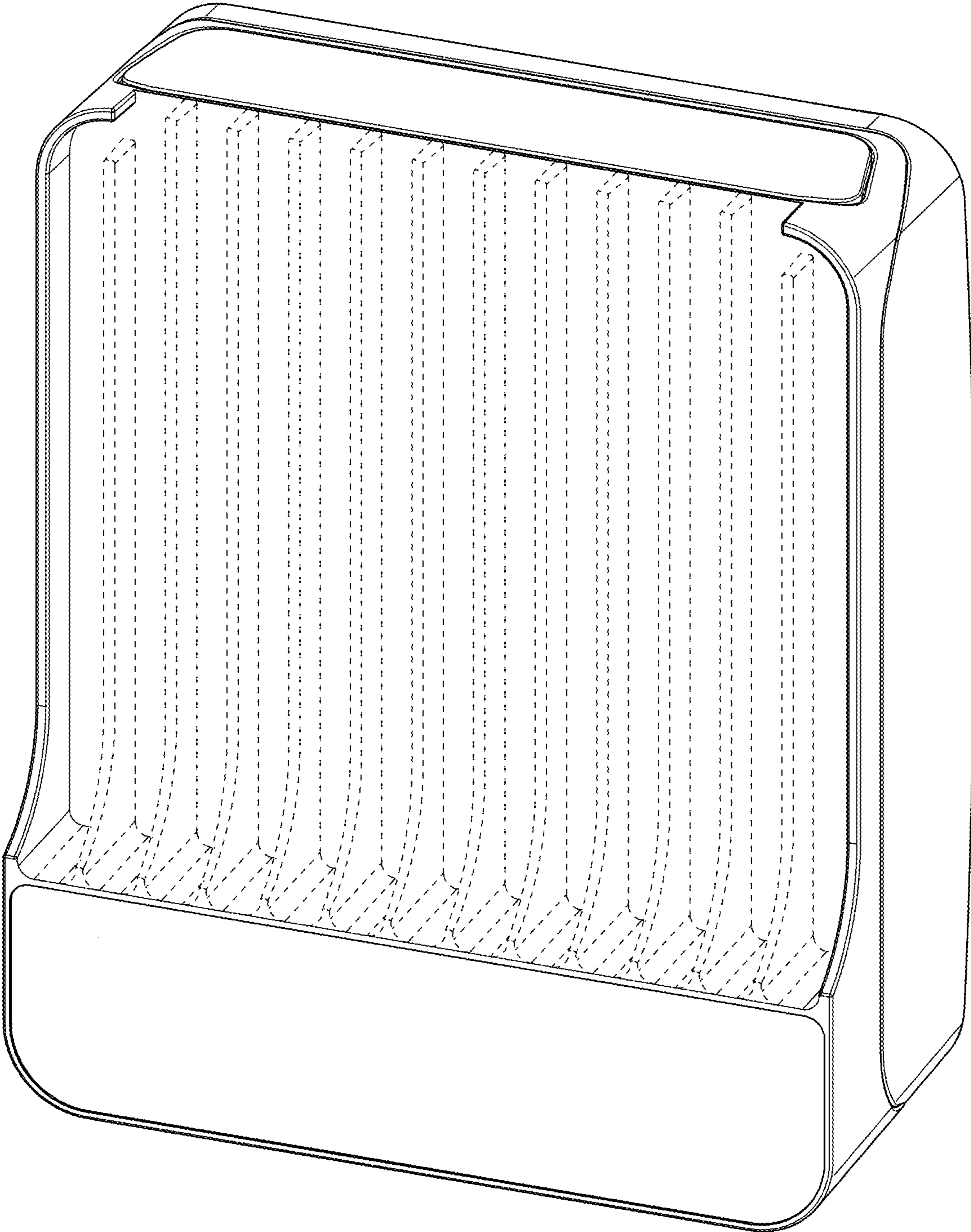


FIG. 5

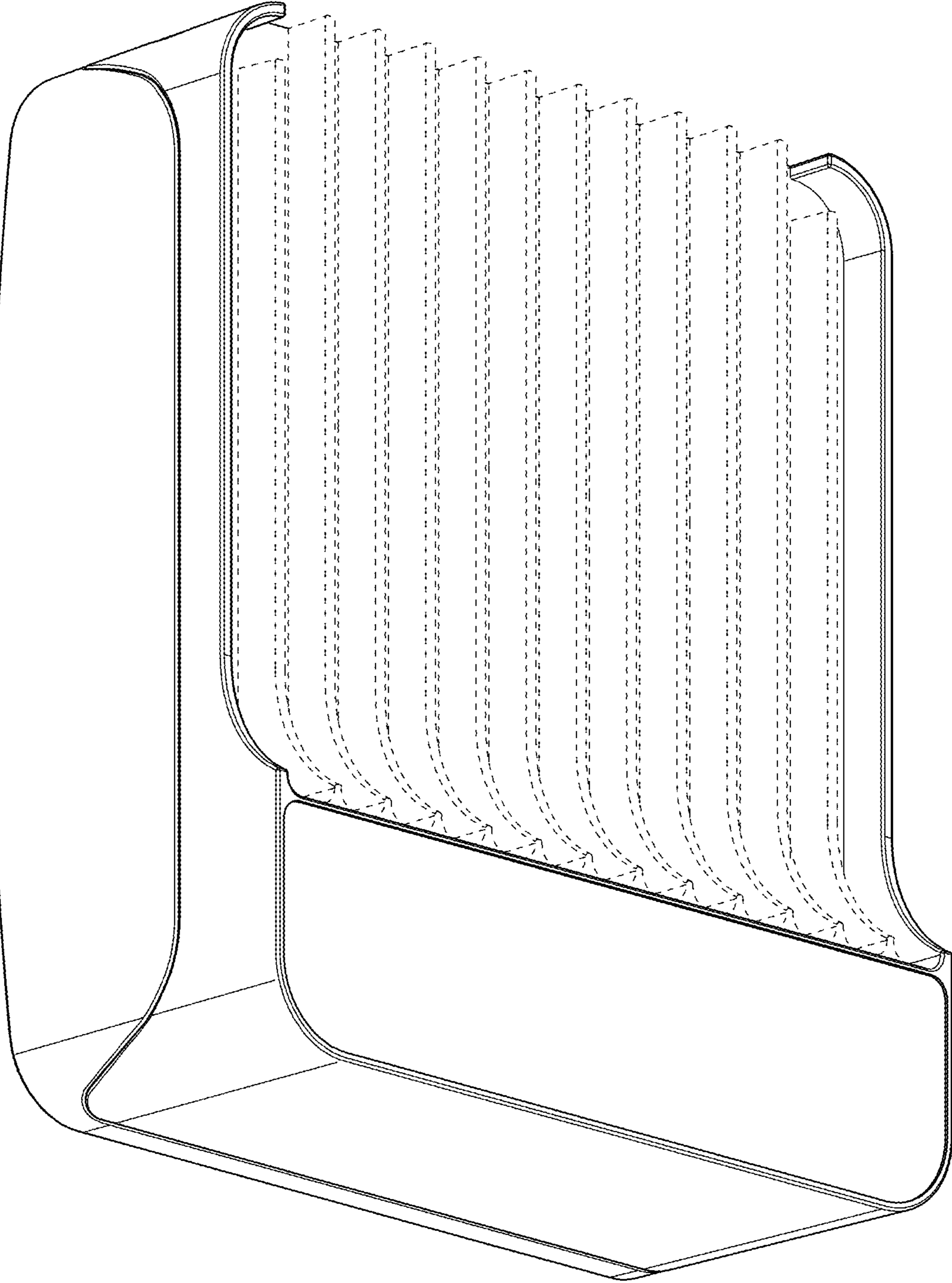


FIG. 6

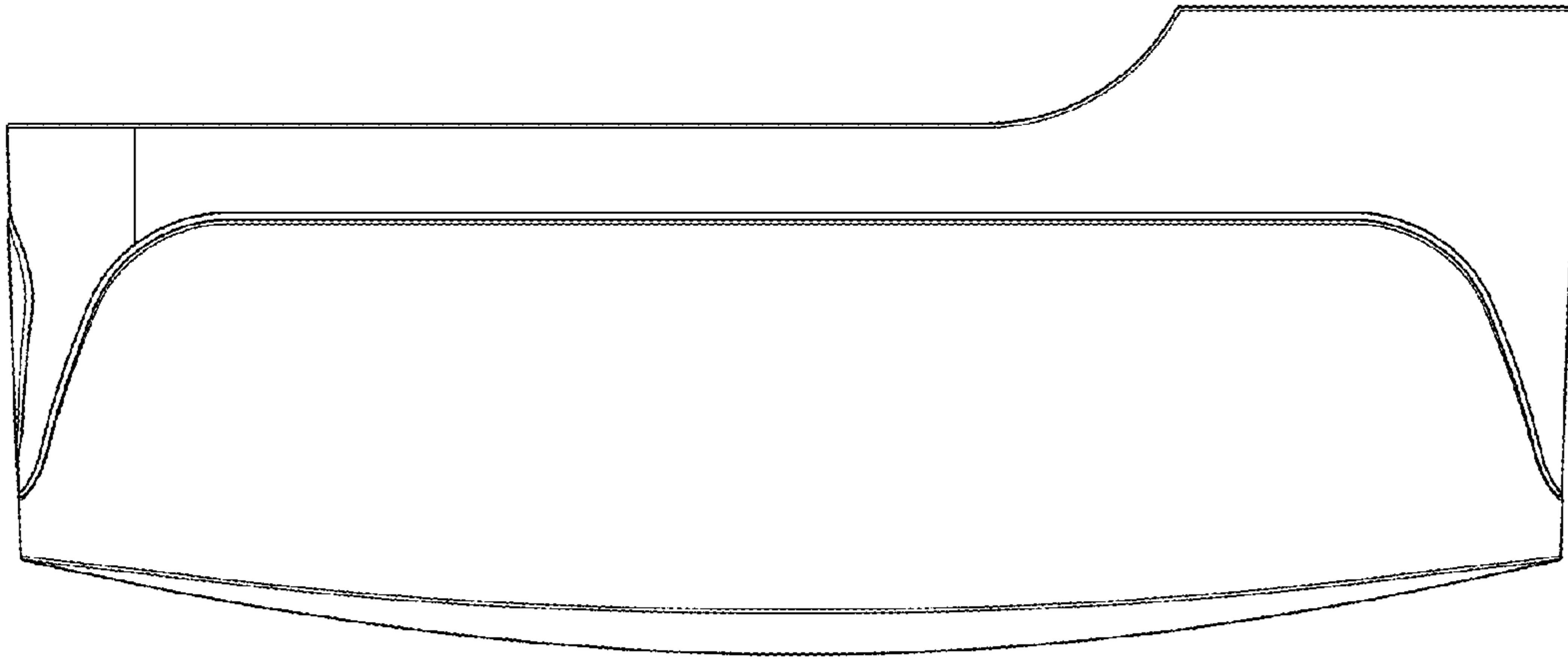


FIG. 8

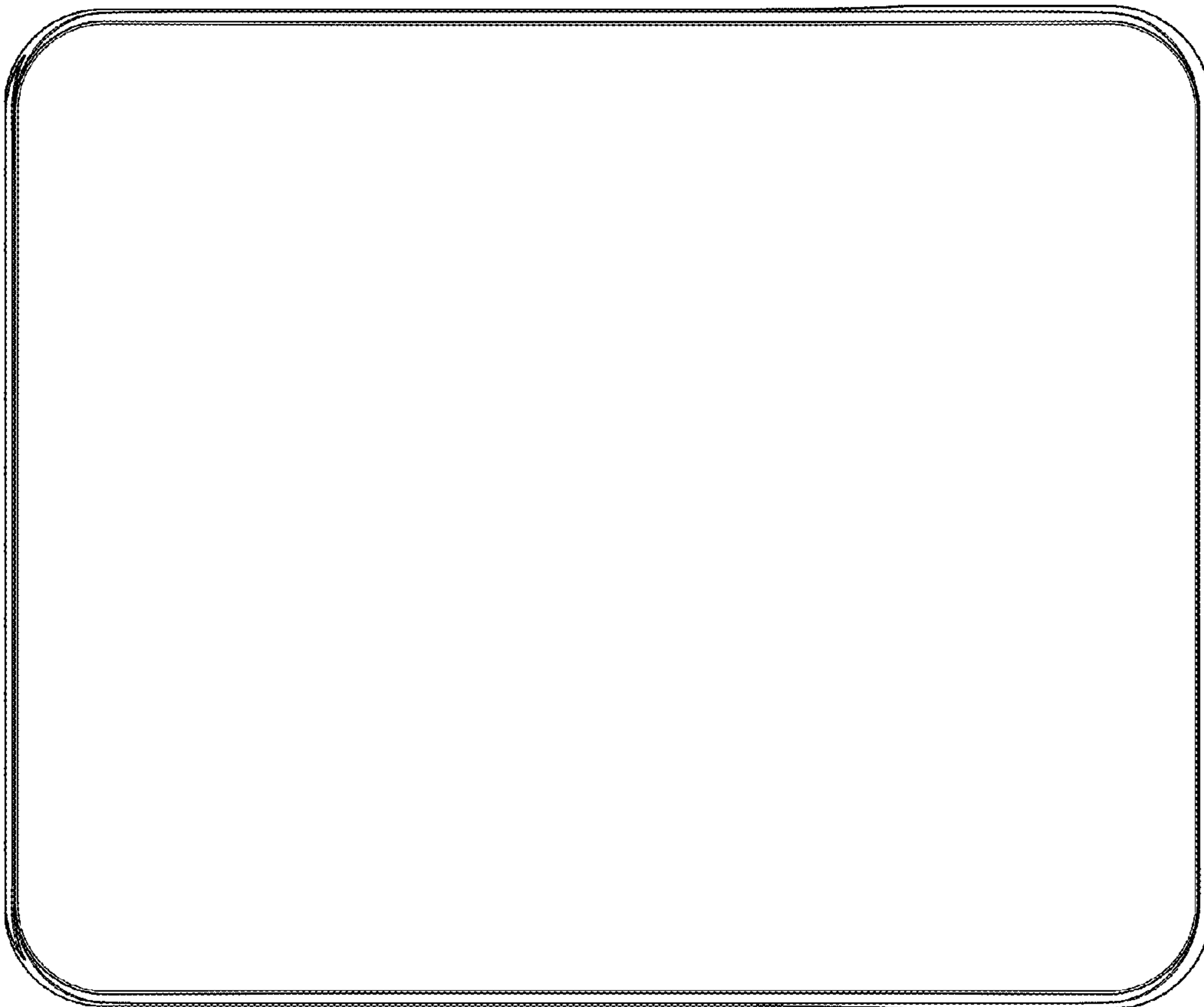


FIG. 7

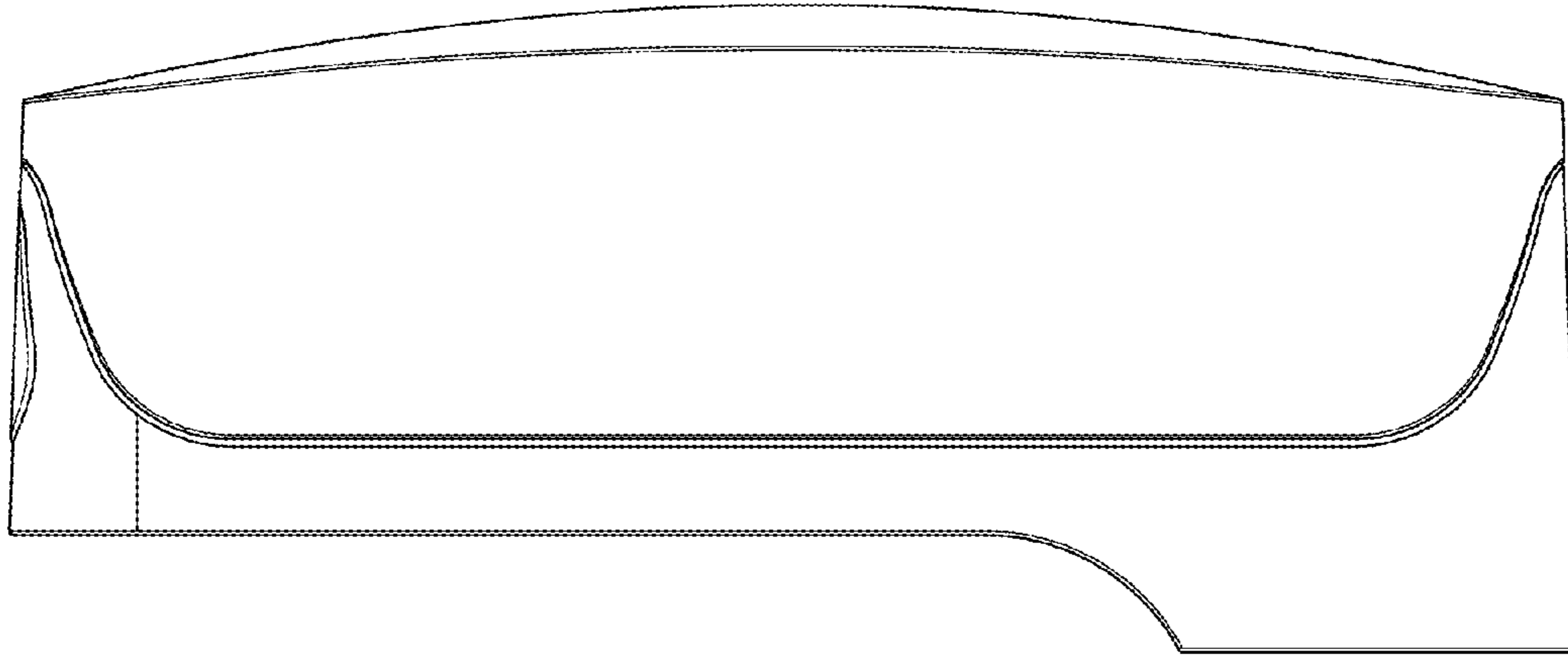


FIG. 10

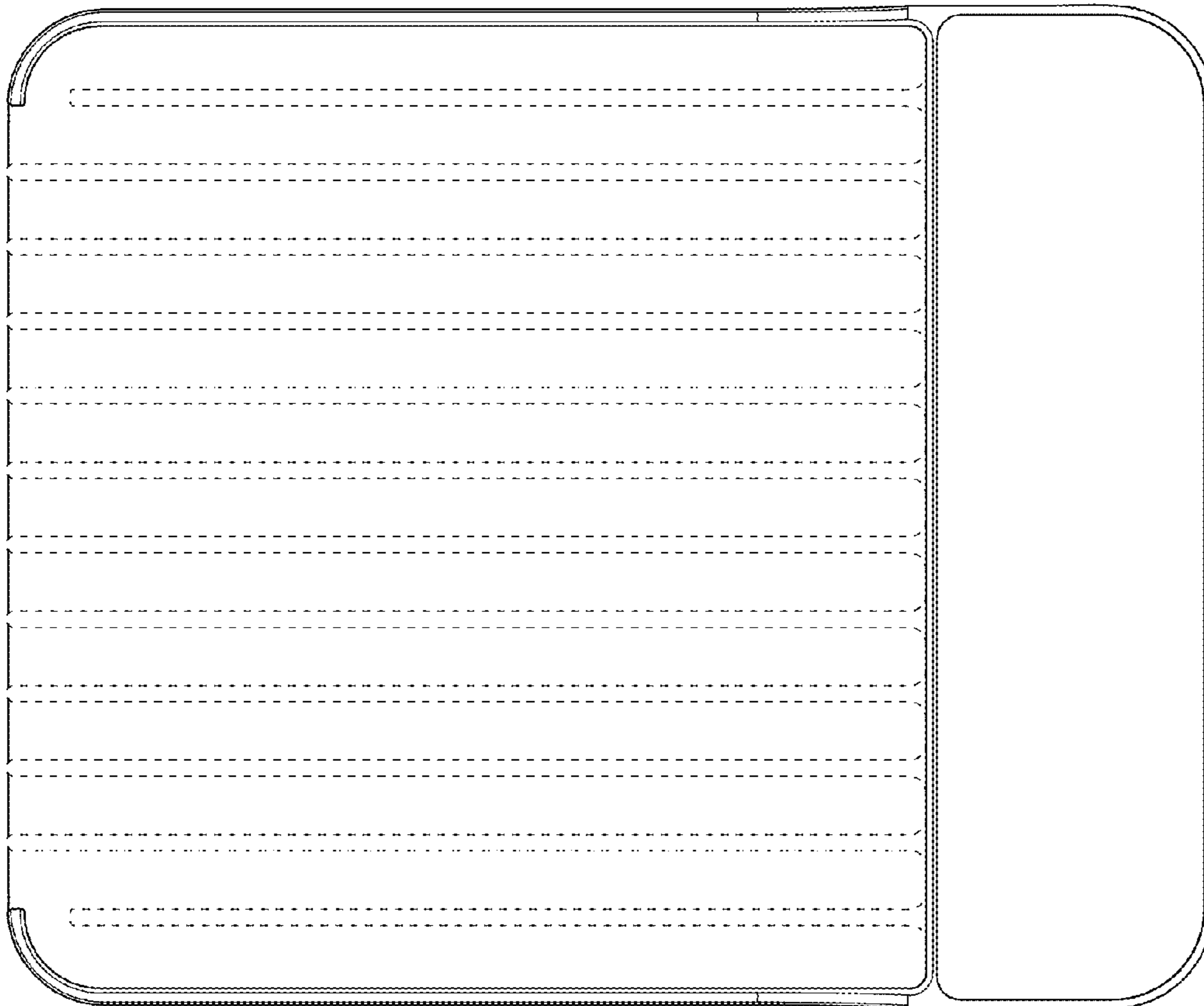


FIG. 9

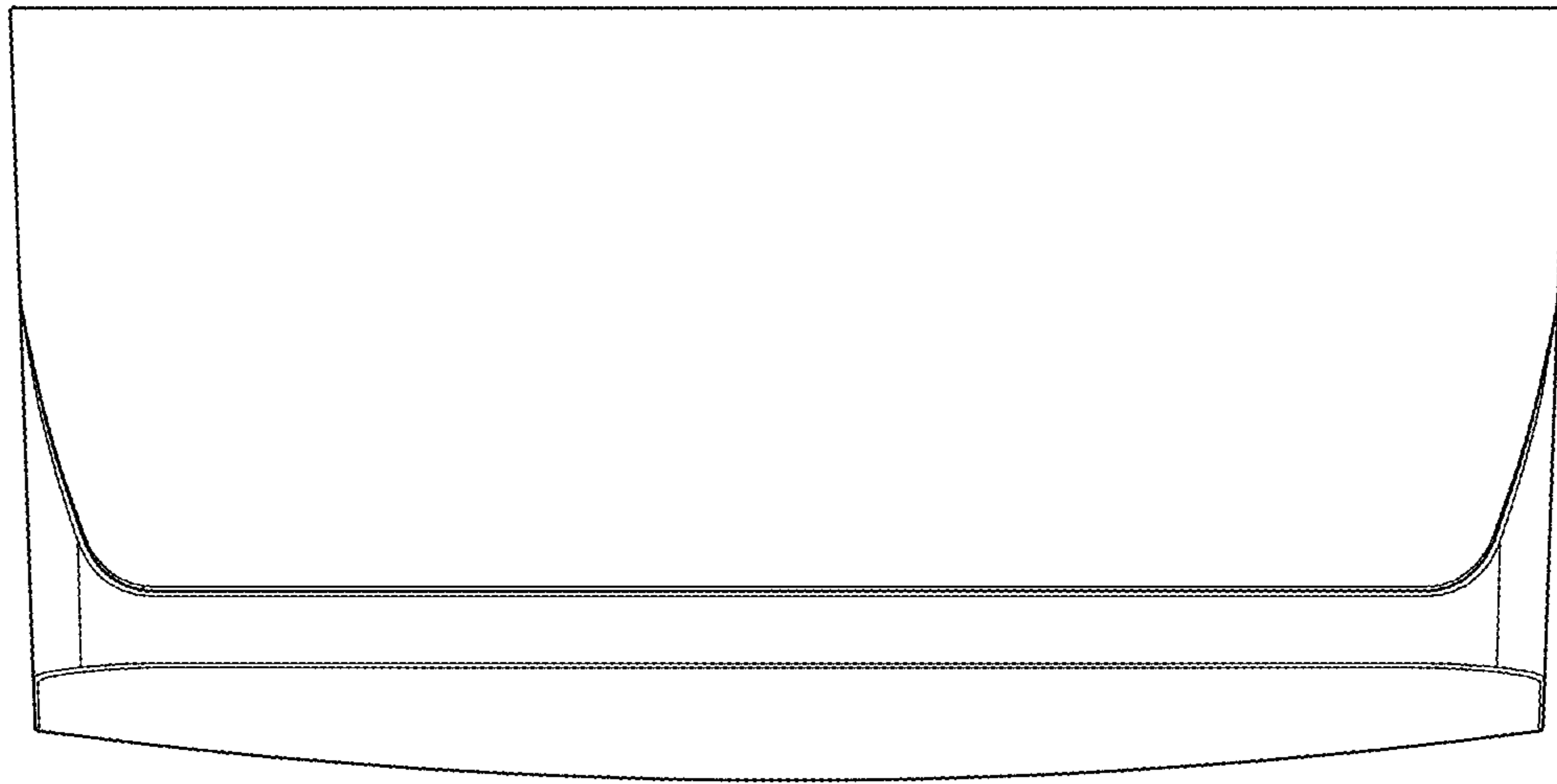


FIG. 11

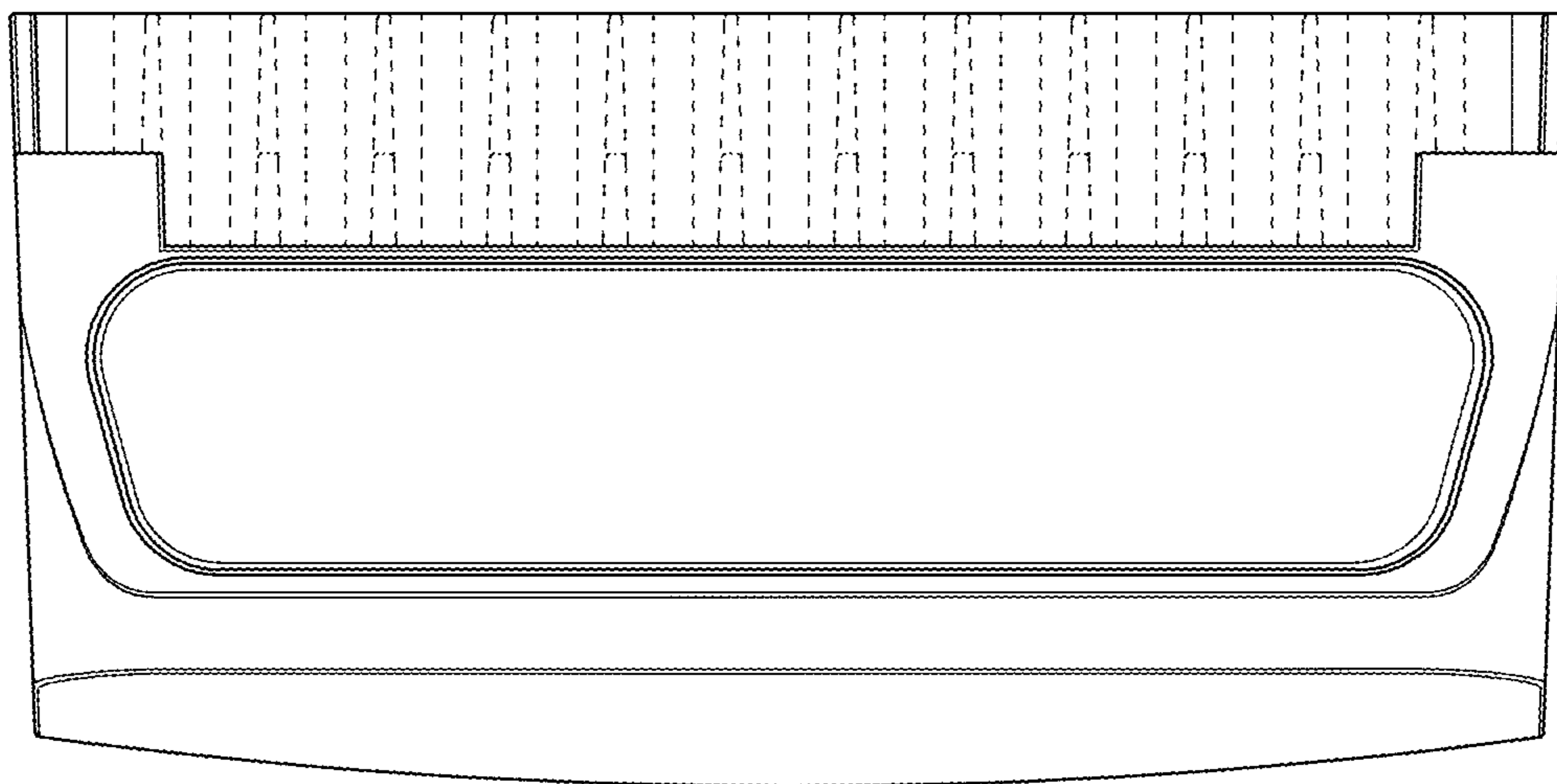


FIG. 12

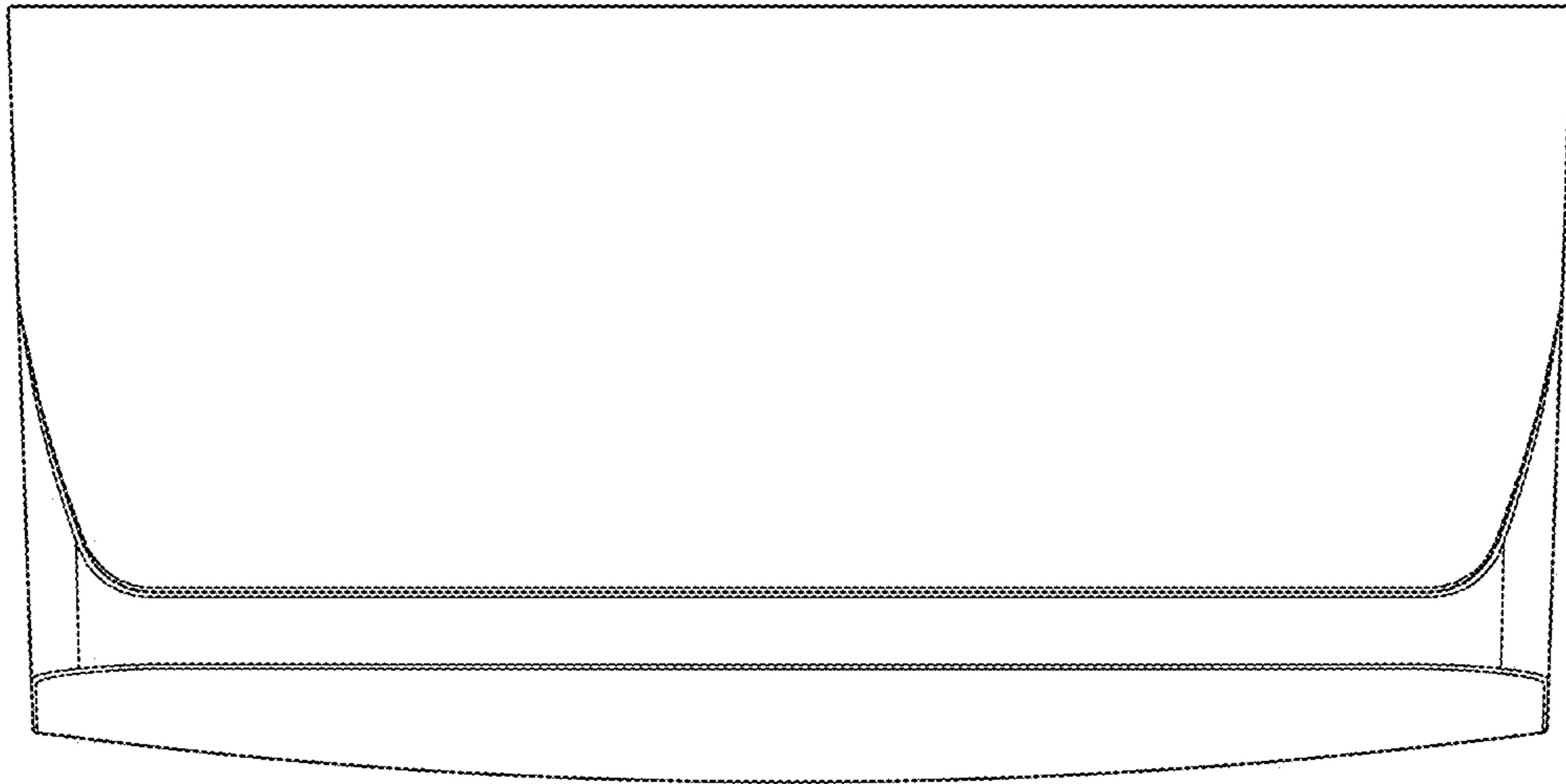


FIG. 13

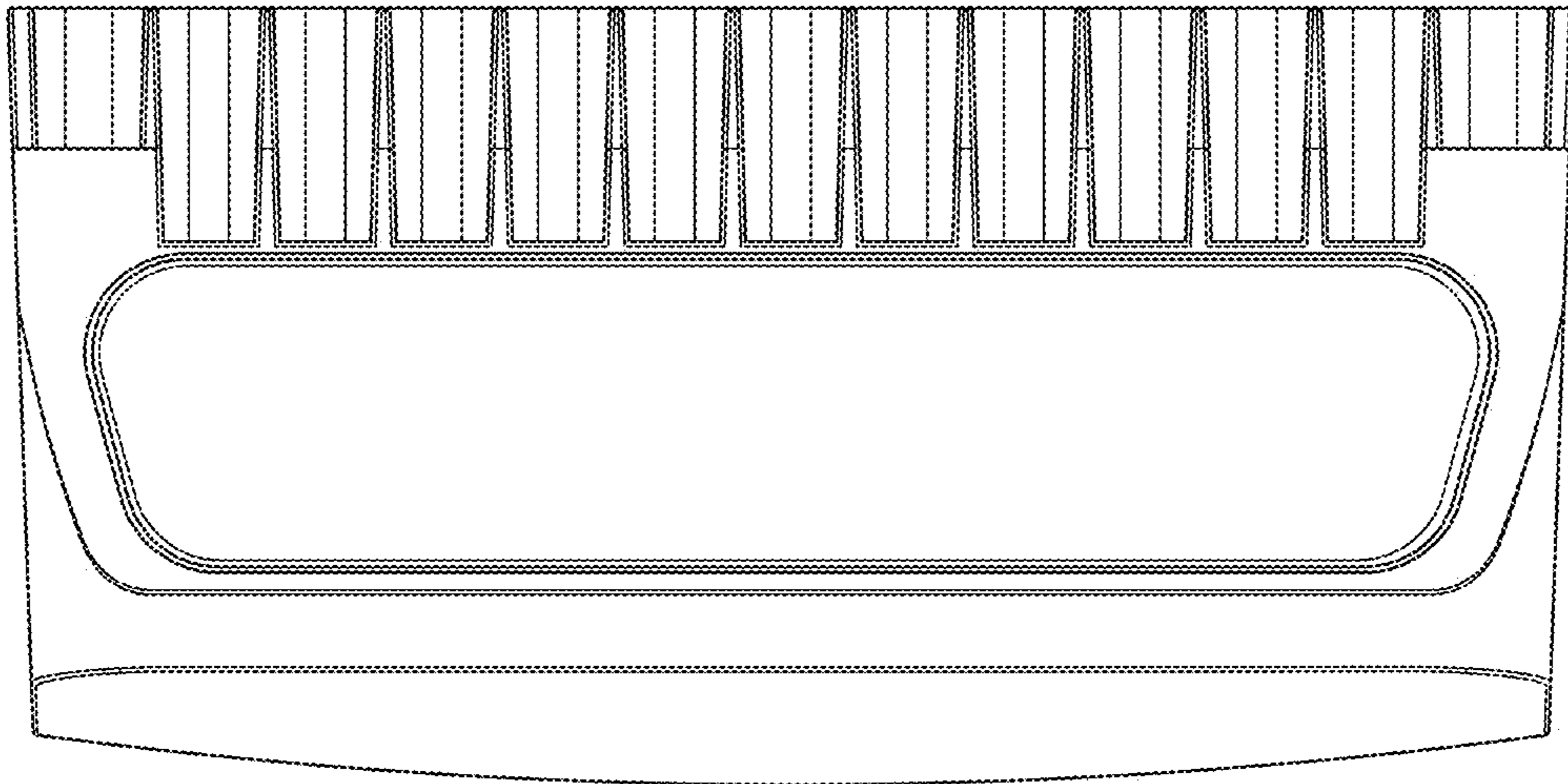


FIG. 14

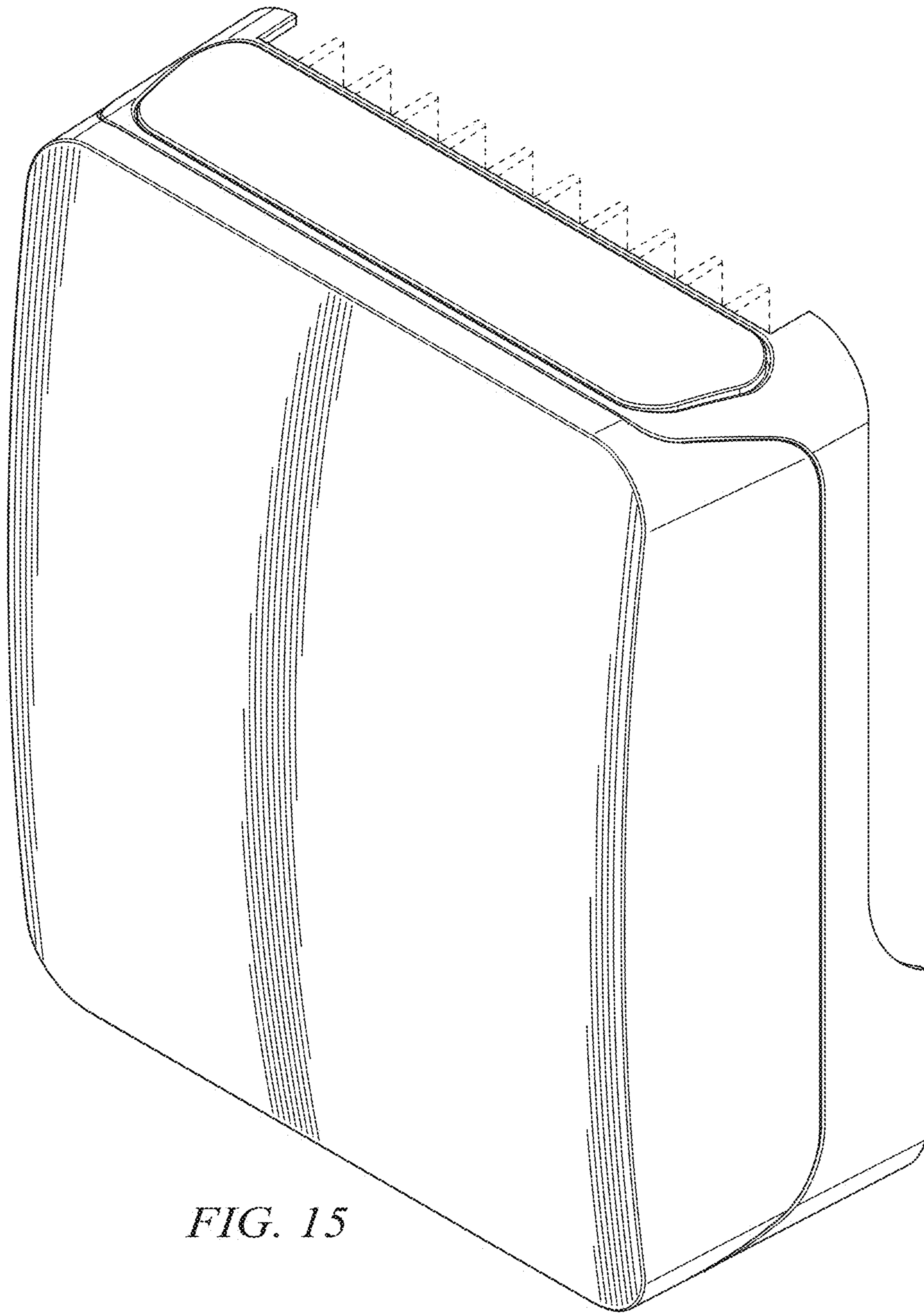


FIG. 15

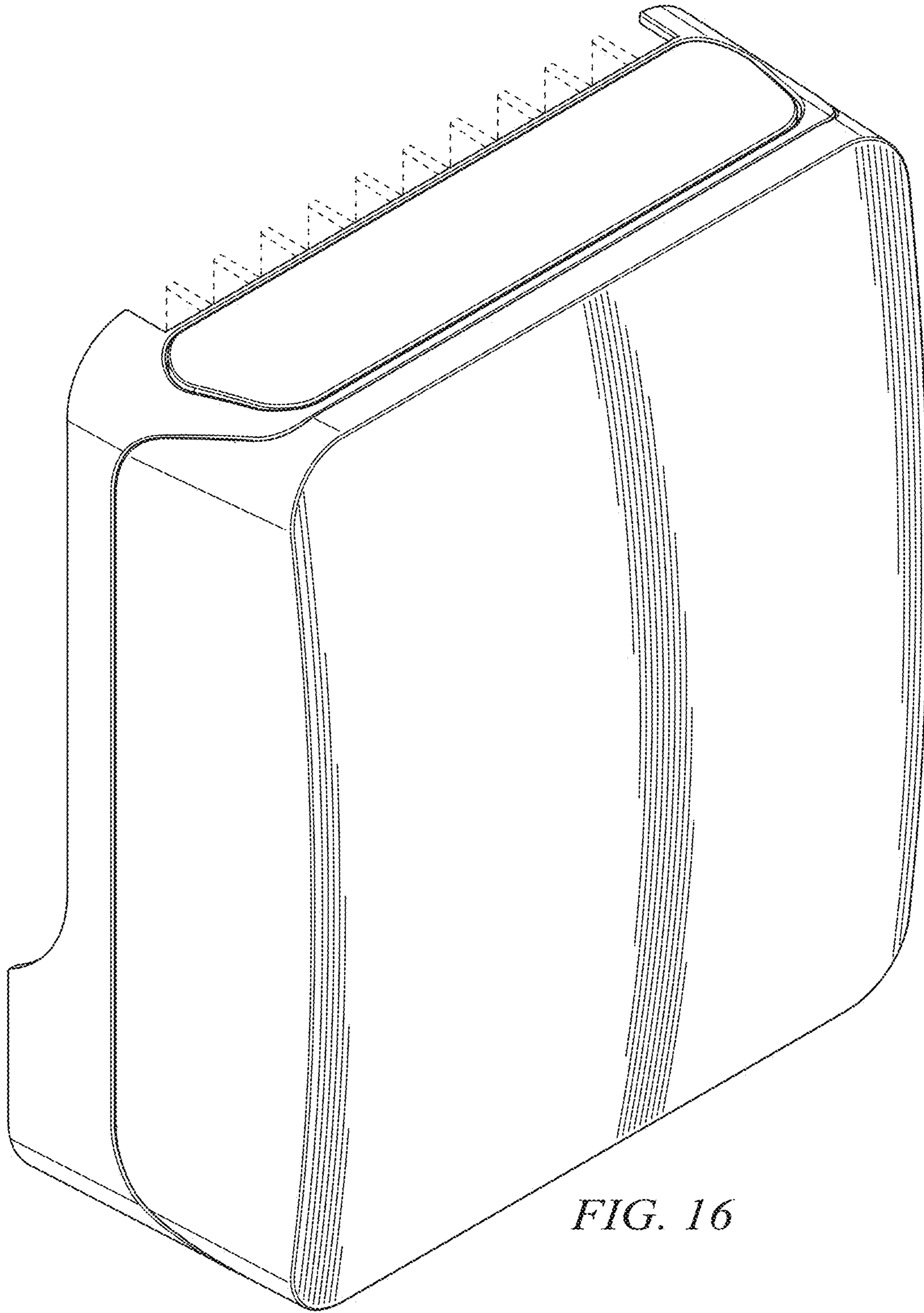


FIG. 16

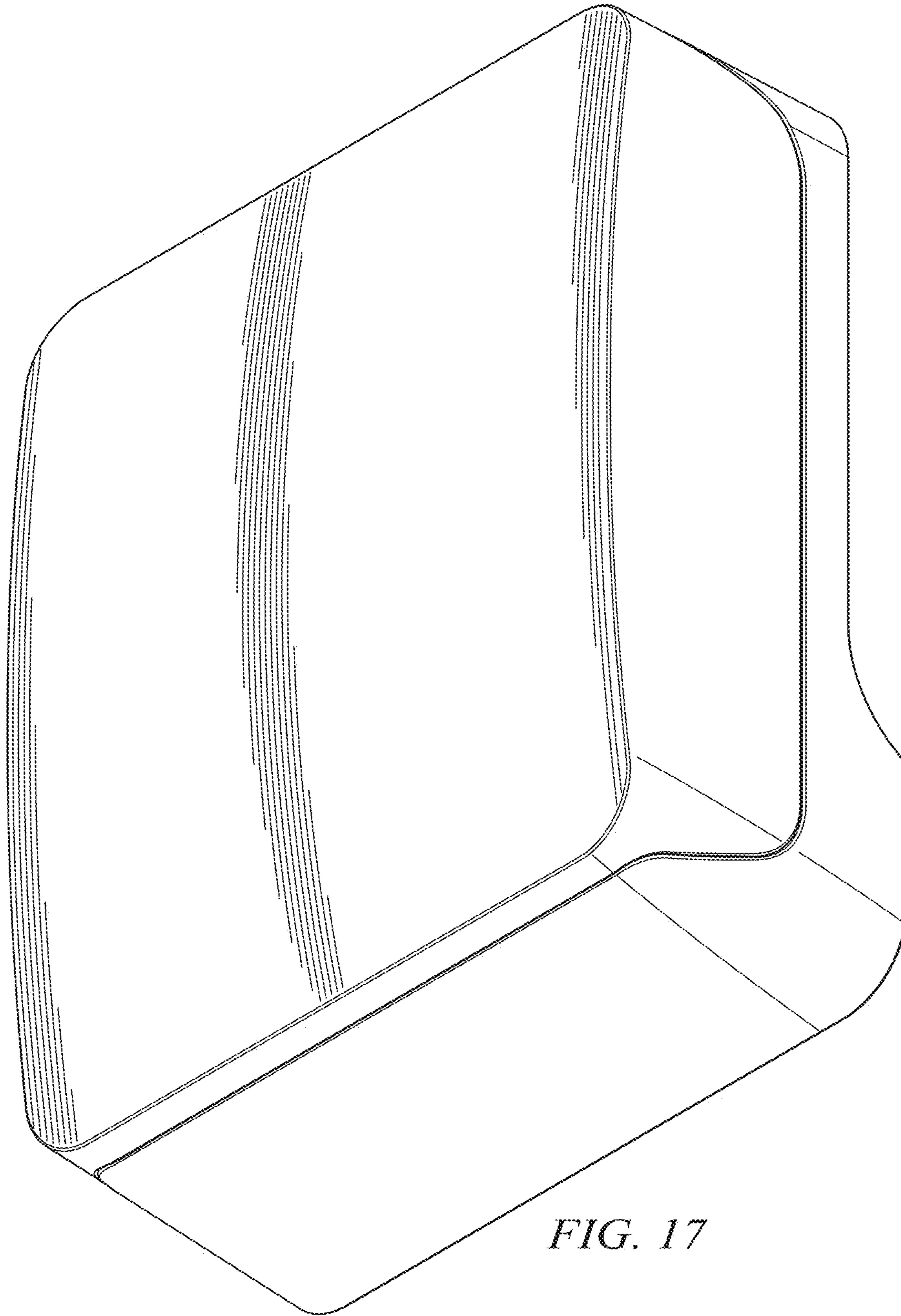


FIG. 17

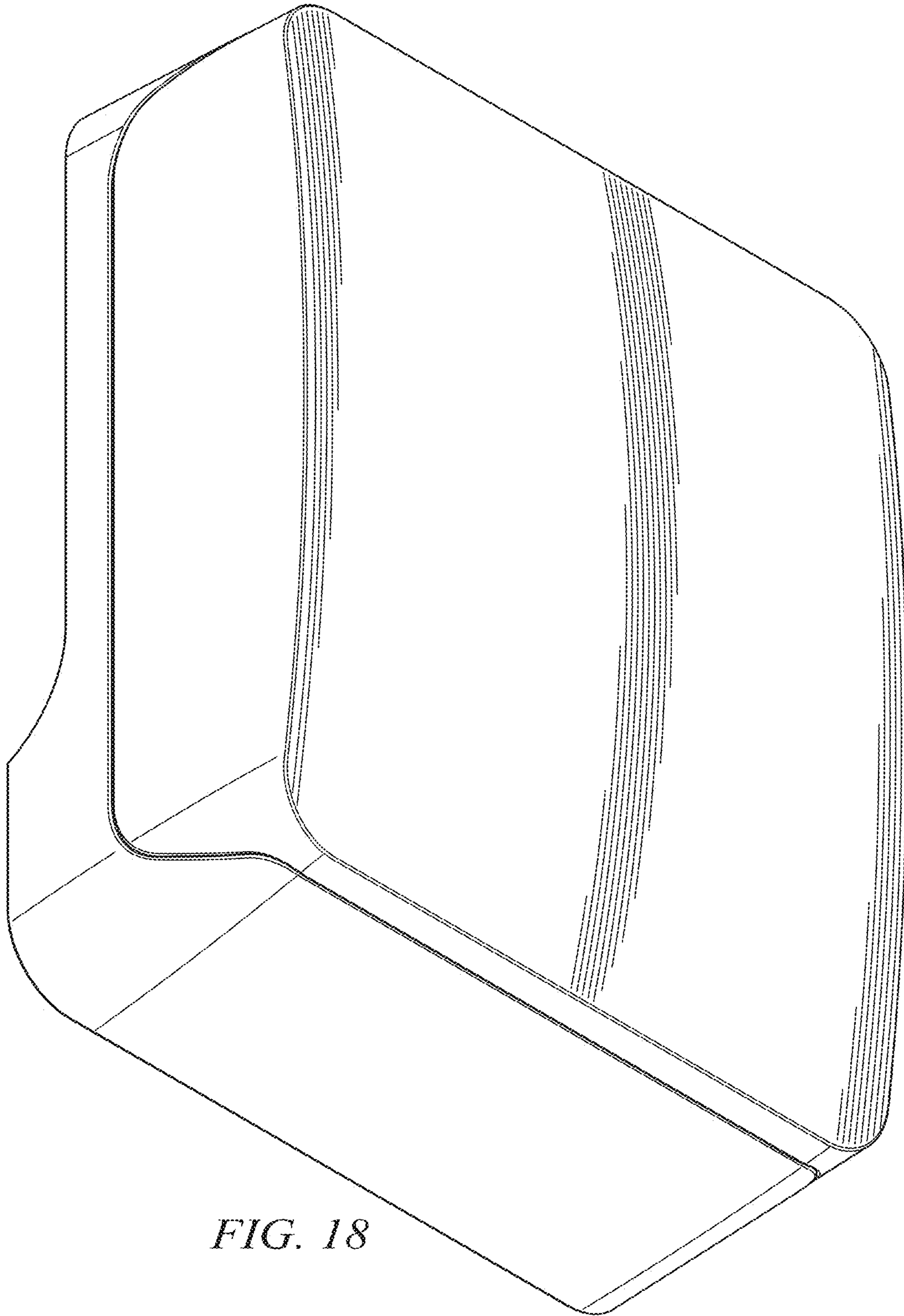


FIG. 18

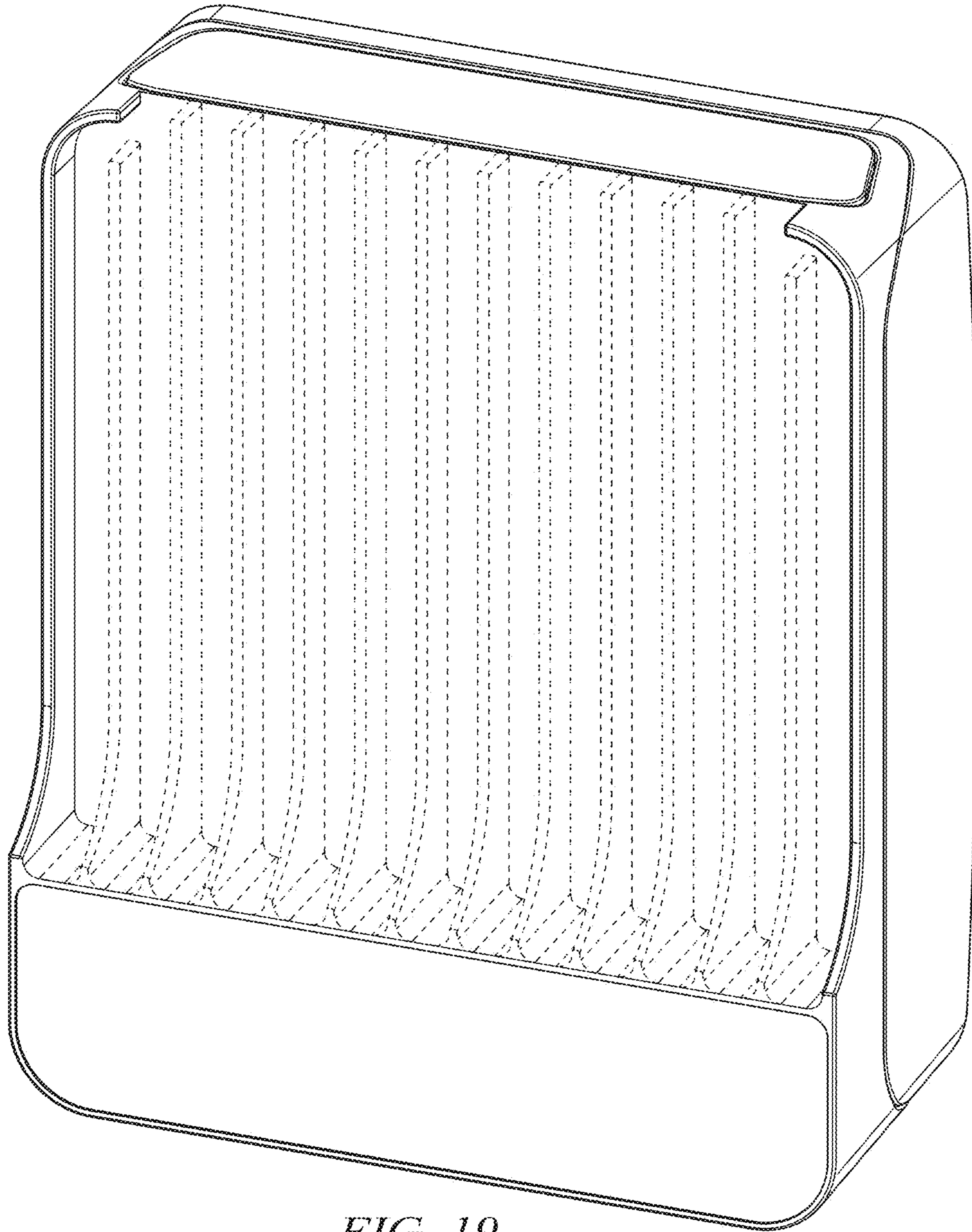


FIG. 19

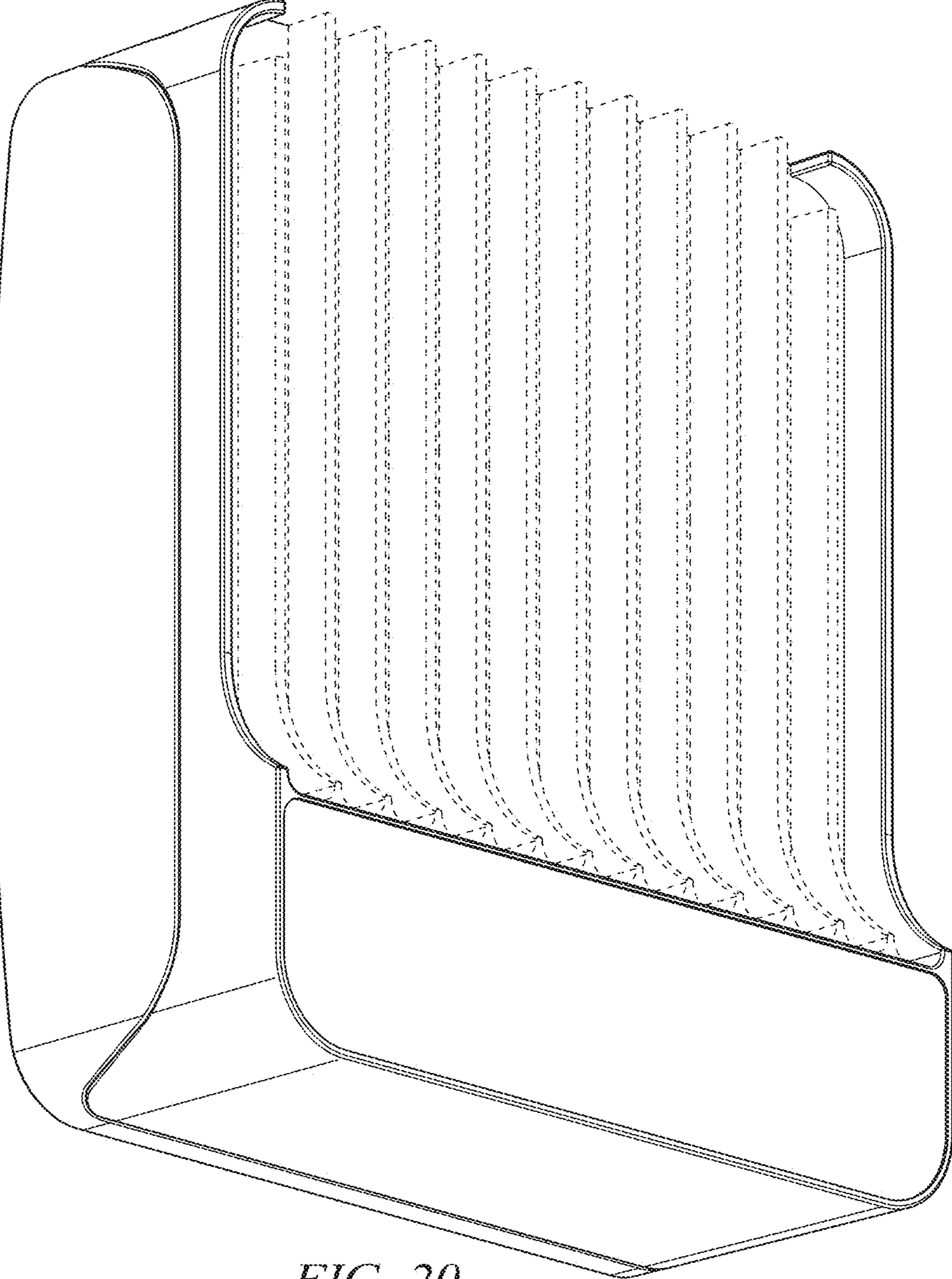


FIG. 20

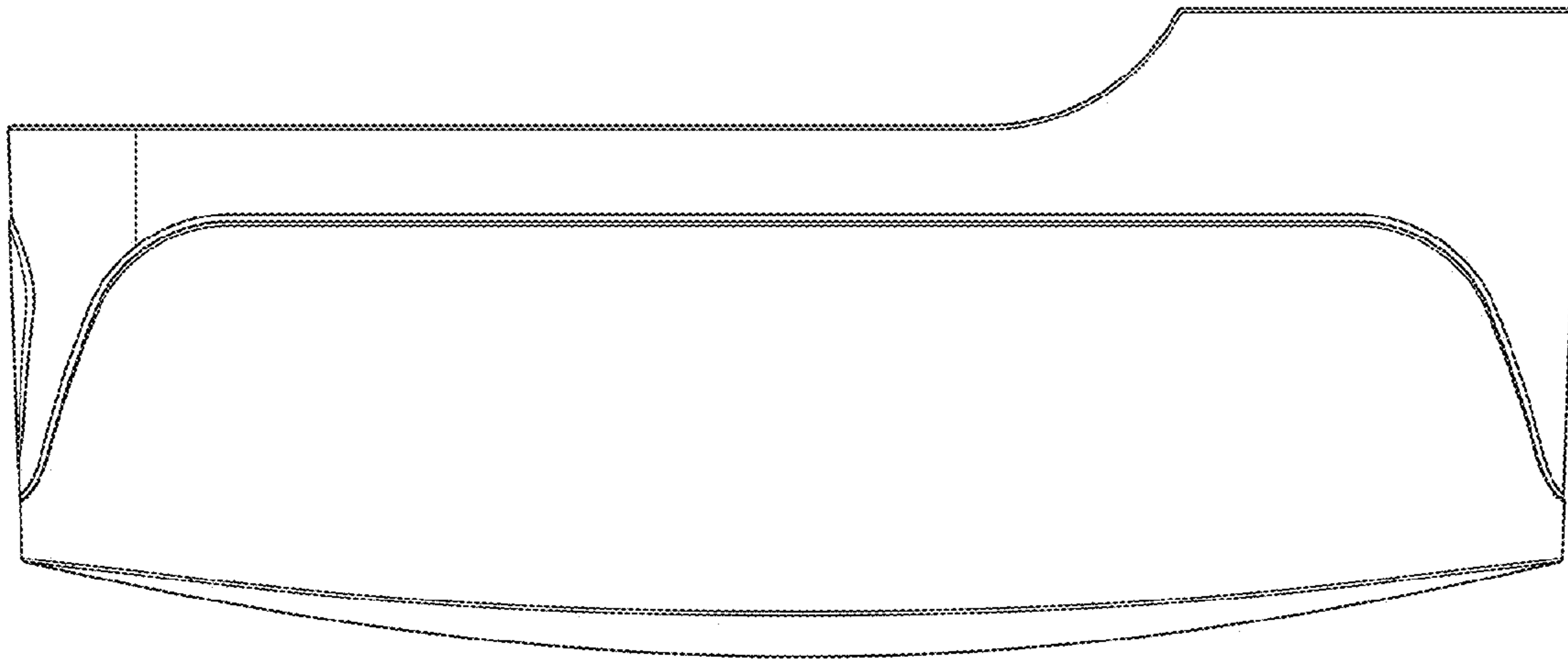


FIG. 22

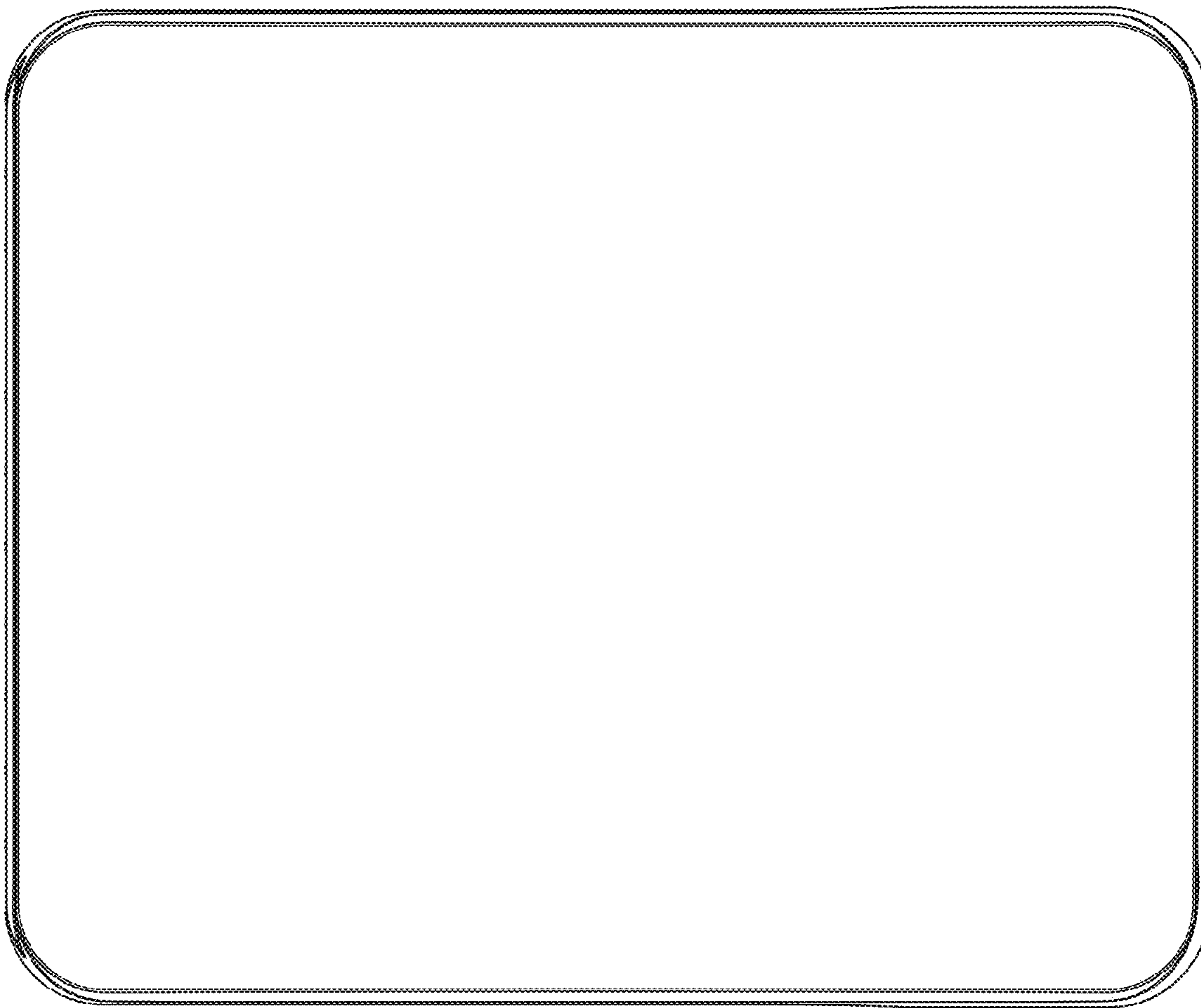


FIG. 21

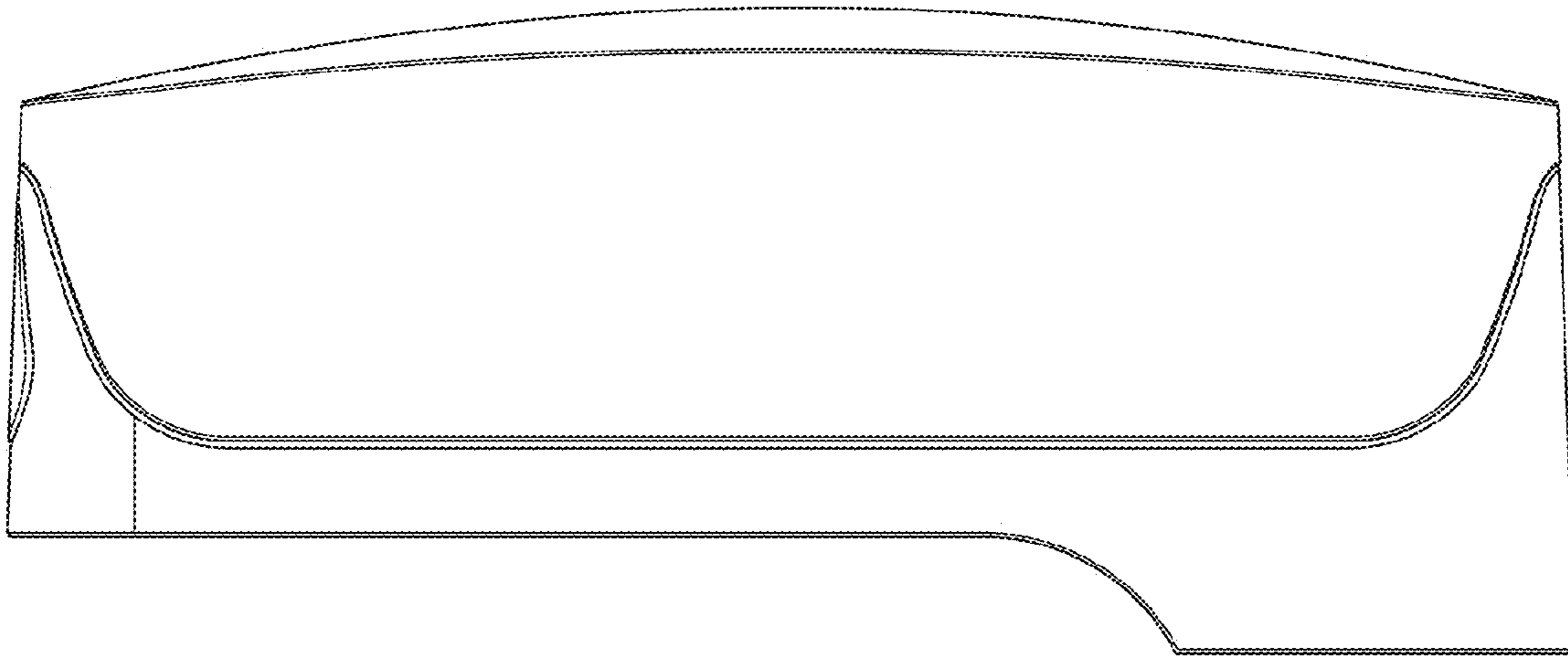


FIG. 24

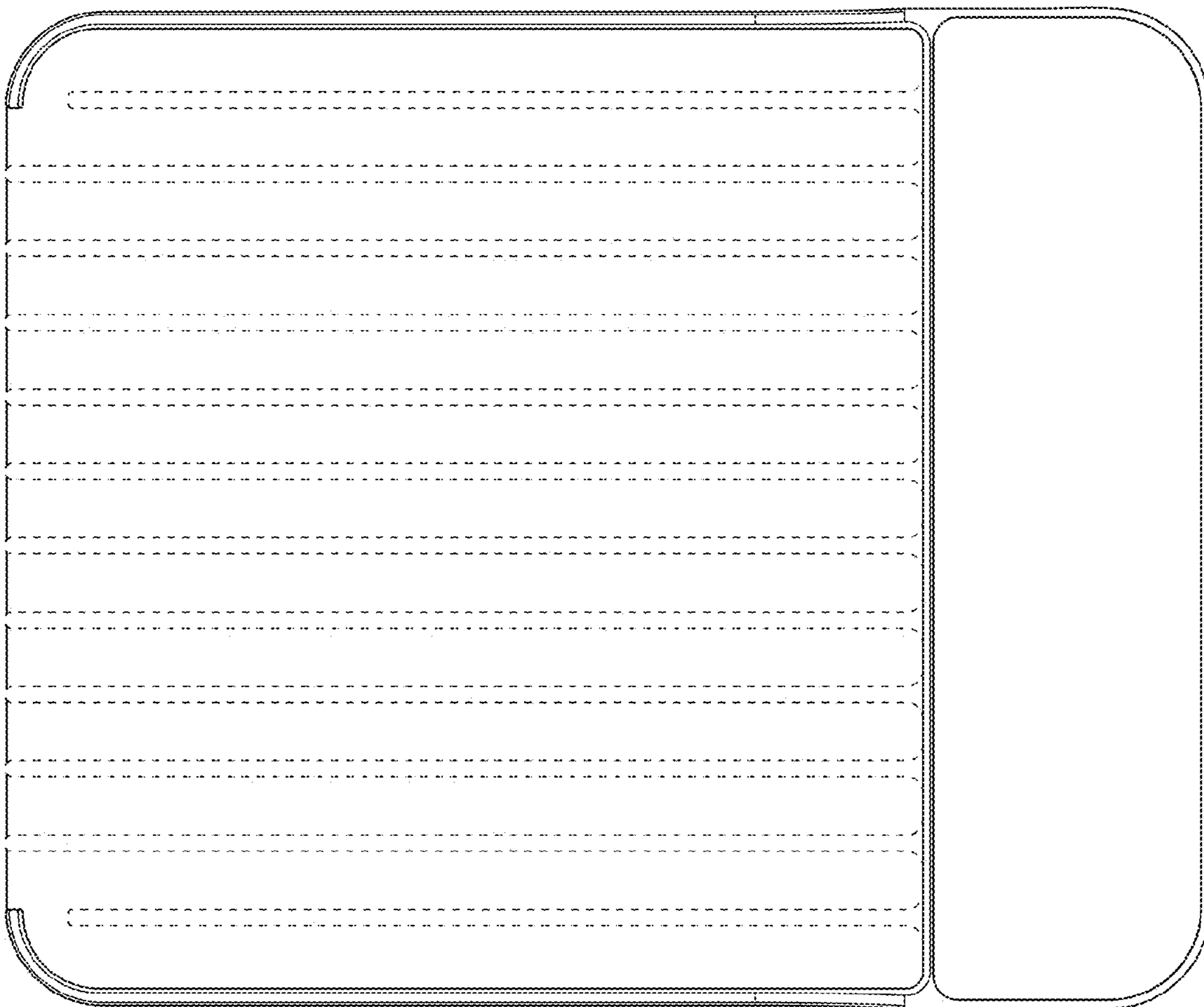


FIG. 23

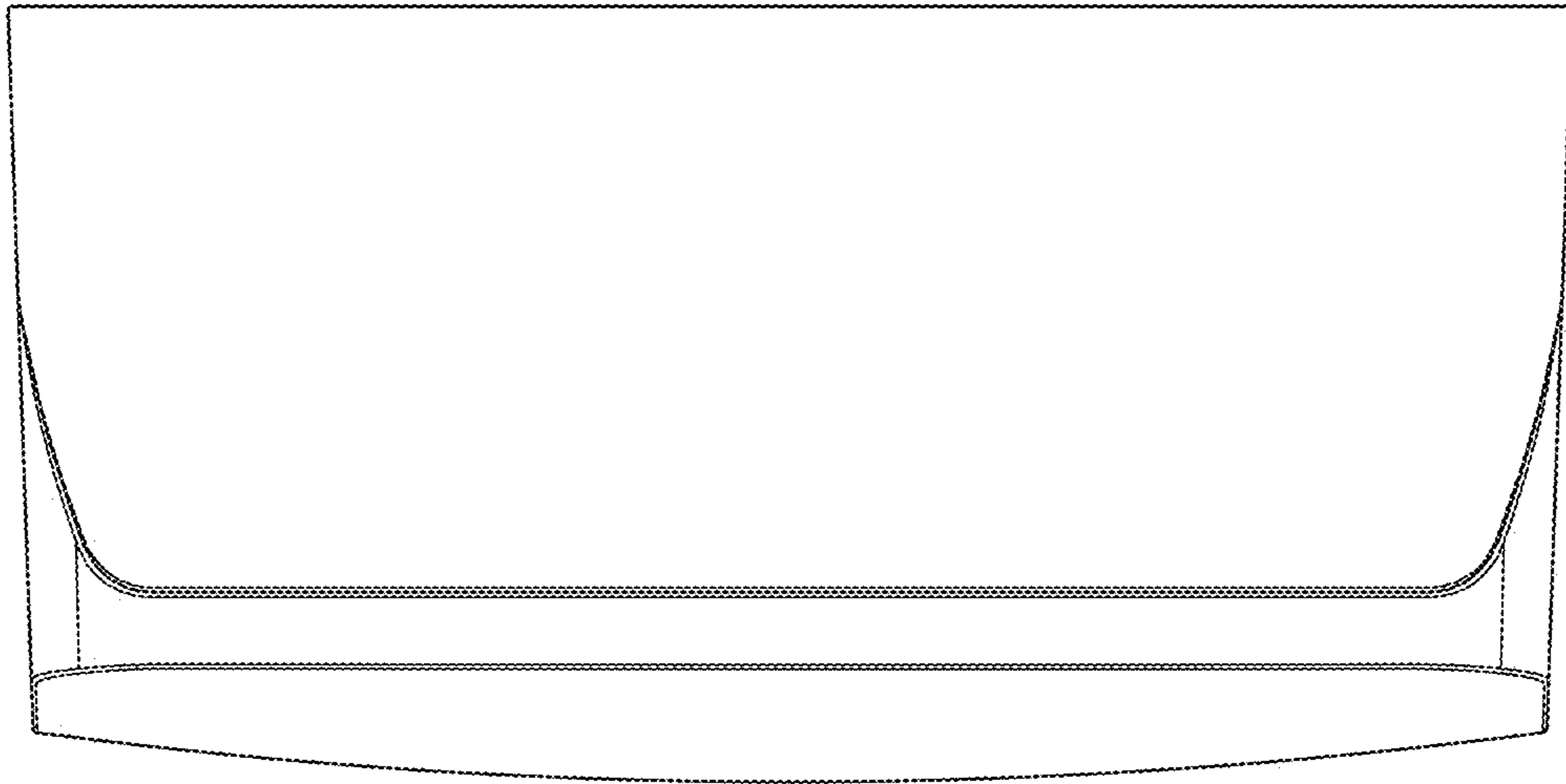


FIG. 25

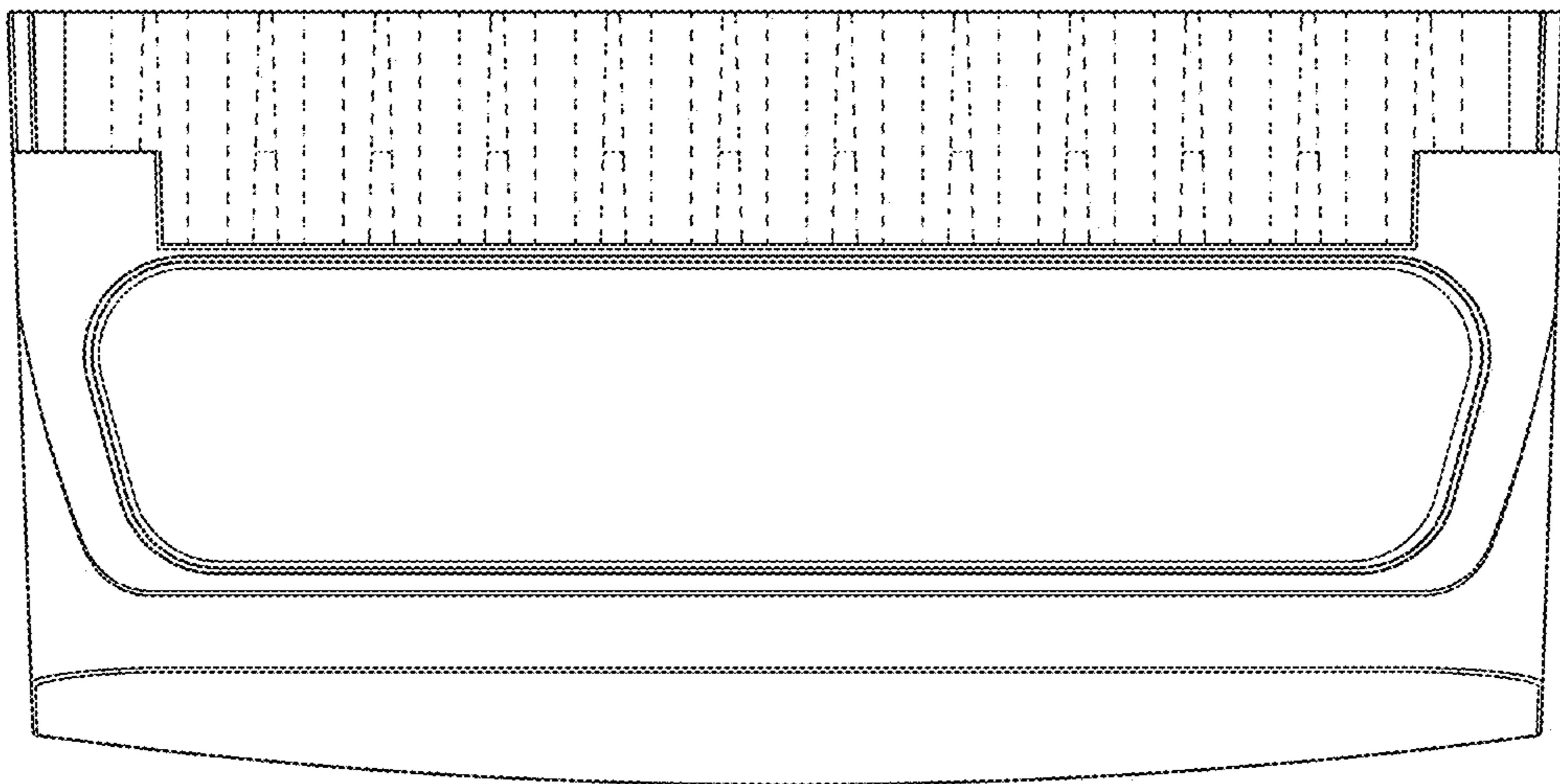


FIG. 26

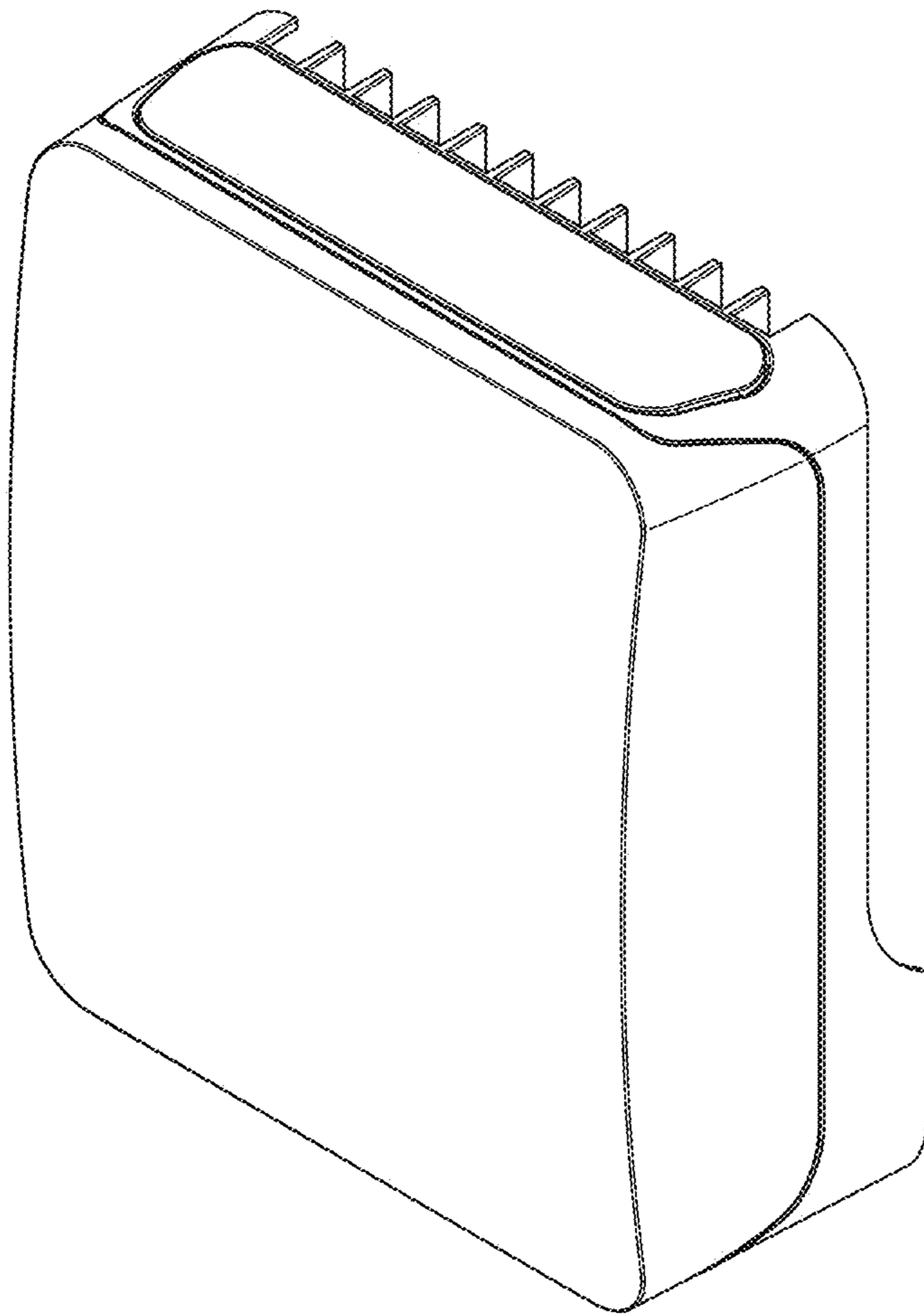


FIG. 27

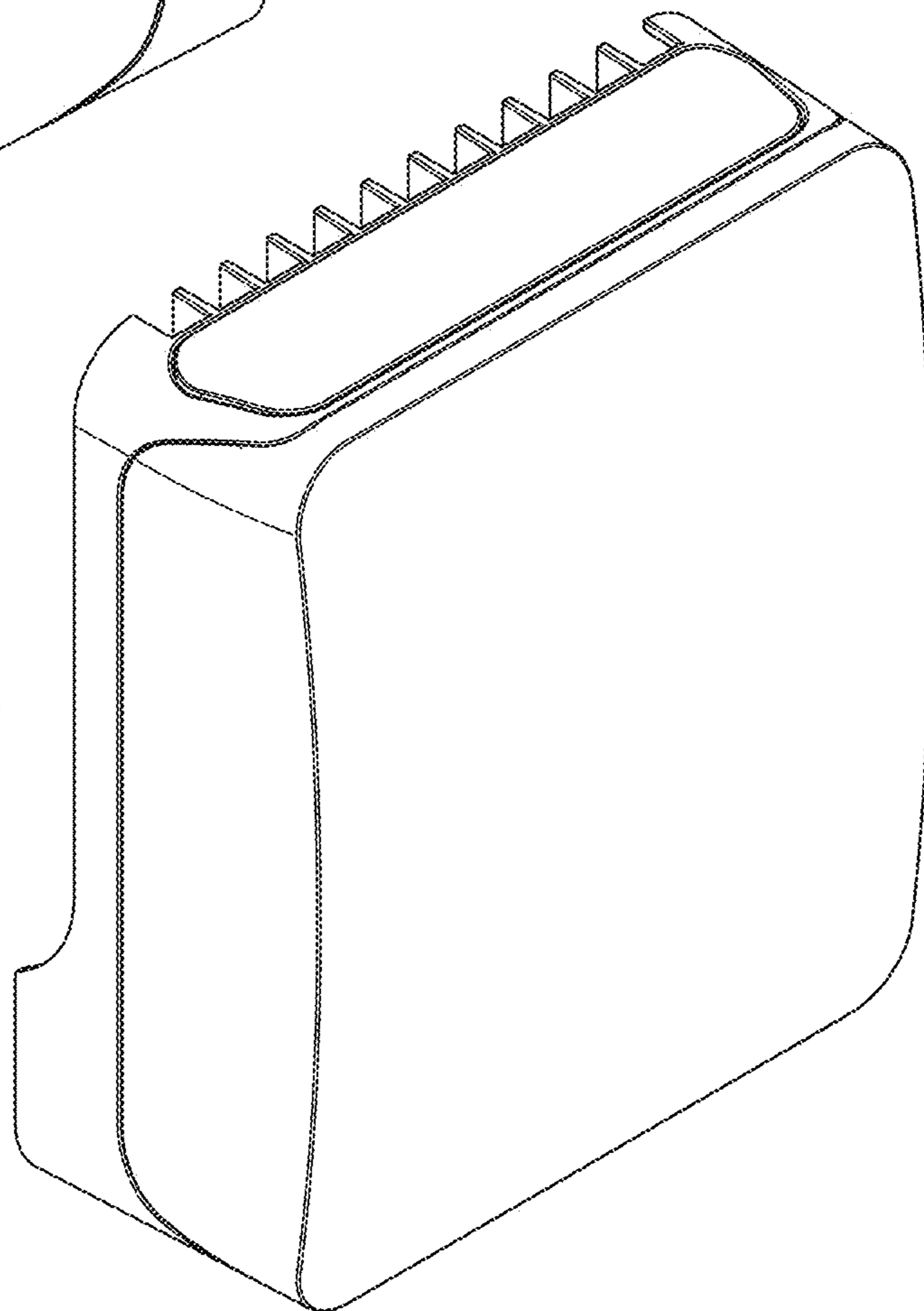


FIG. 28

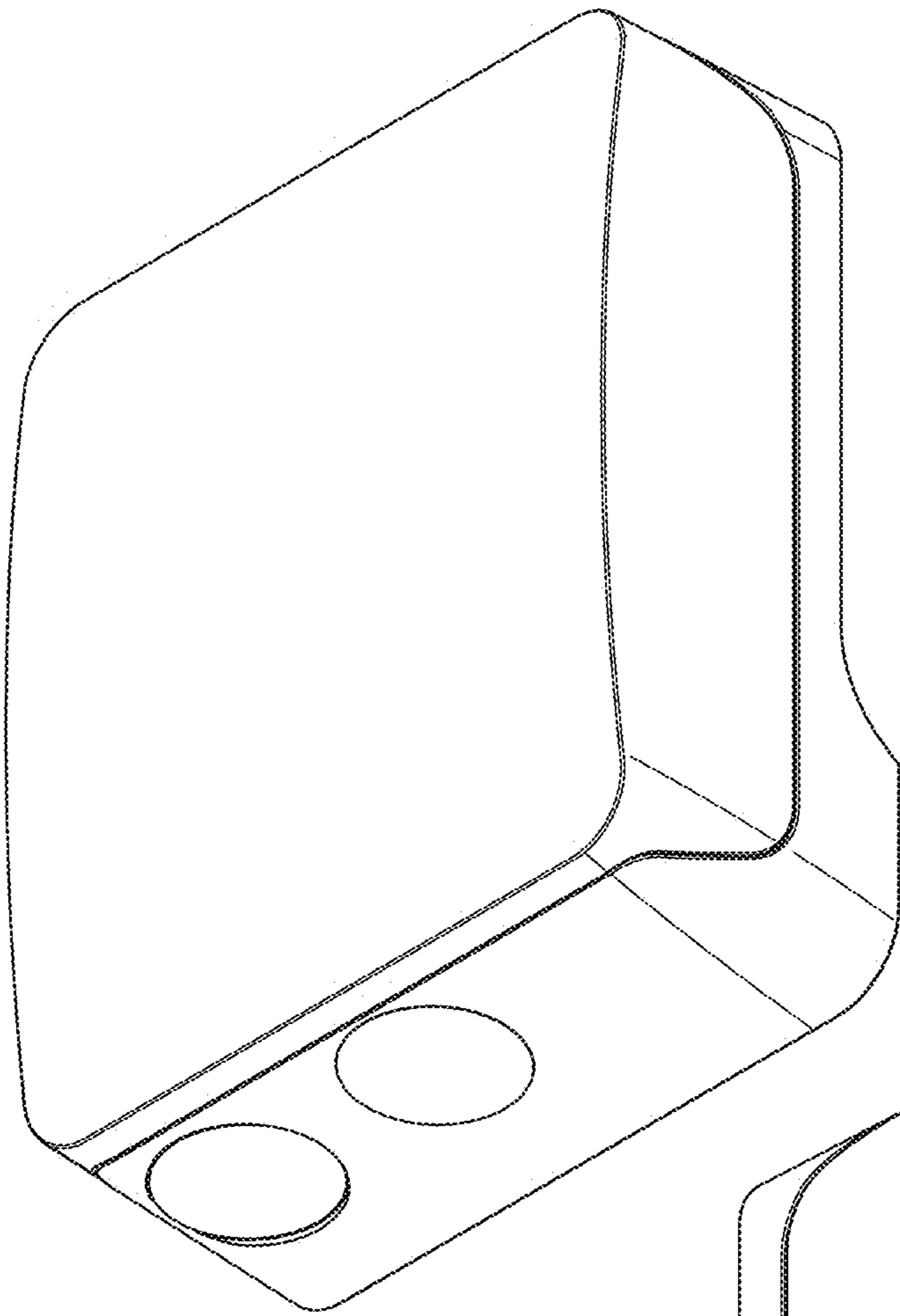


FIG. 29

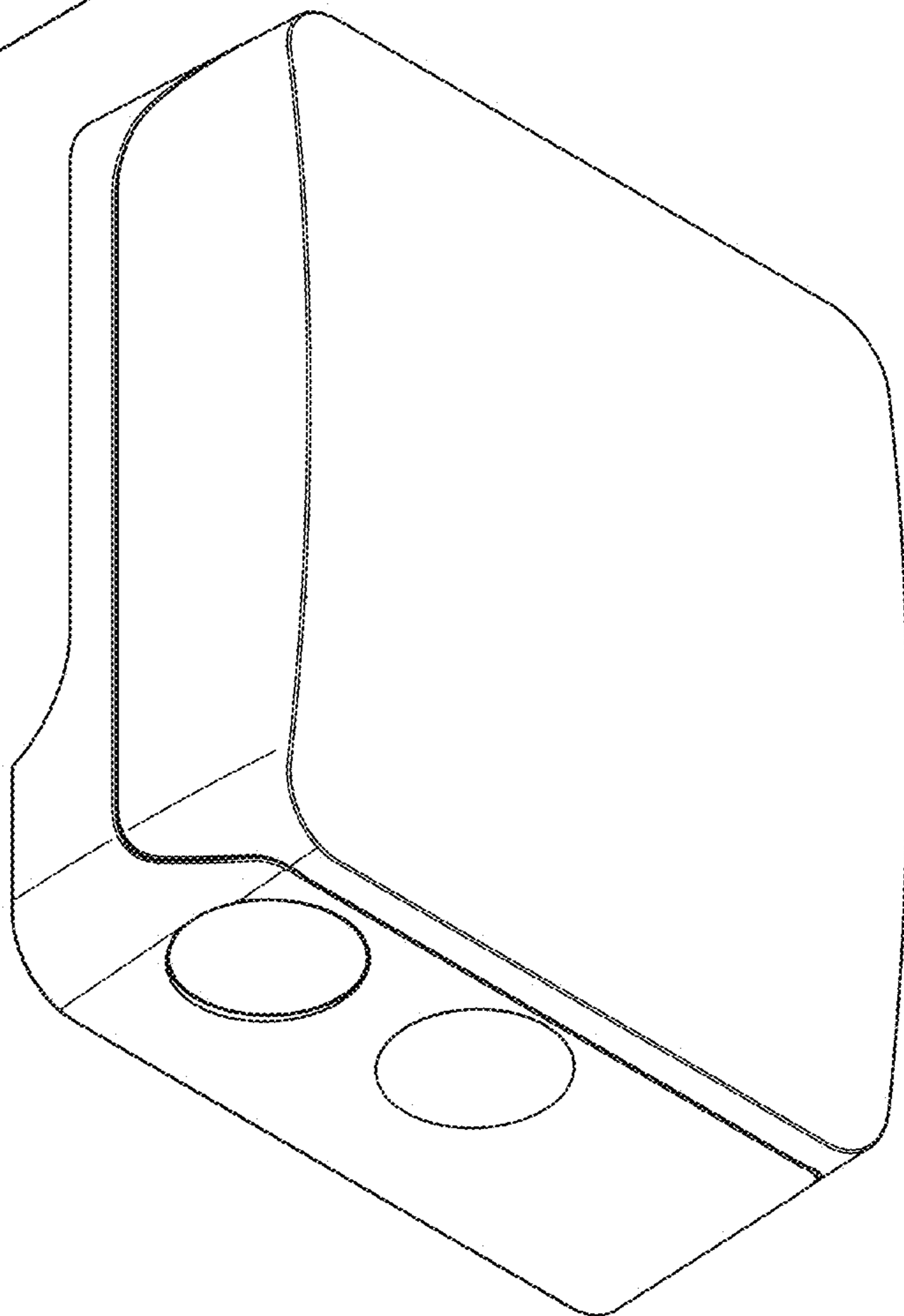


FIG. 30

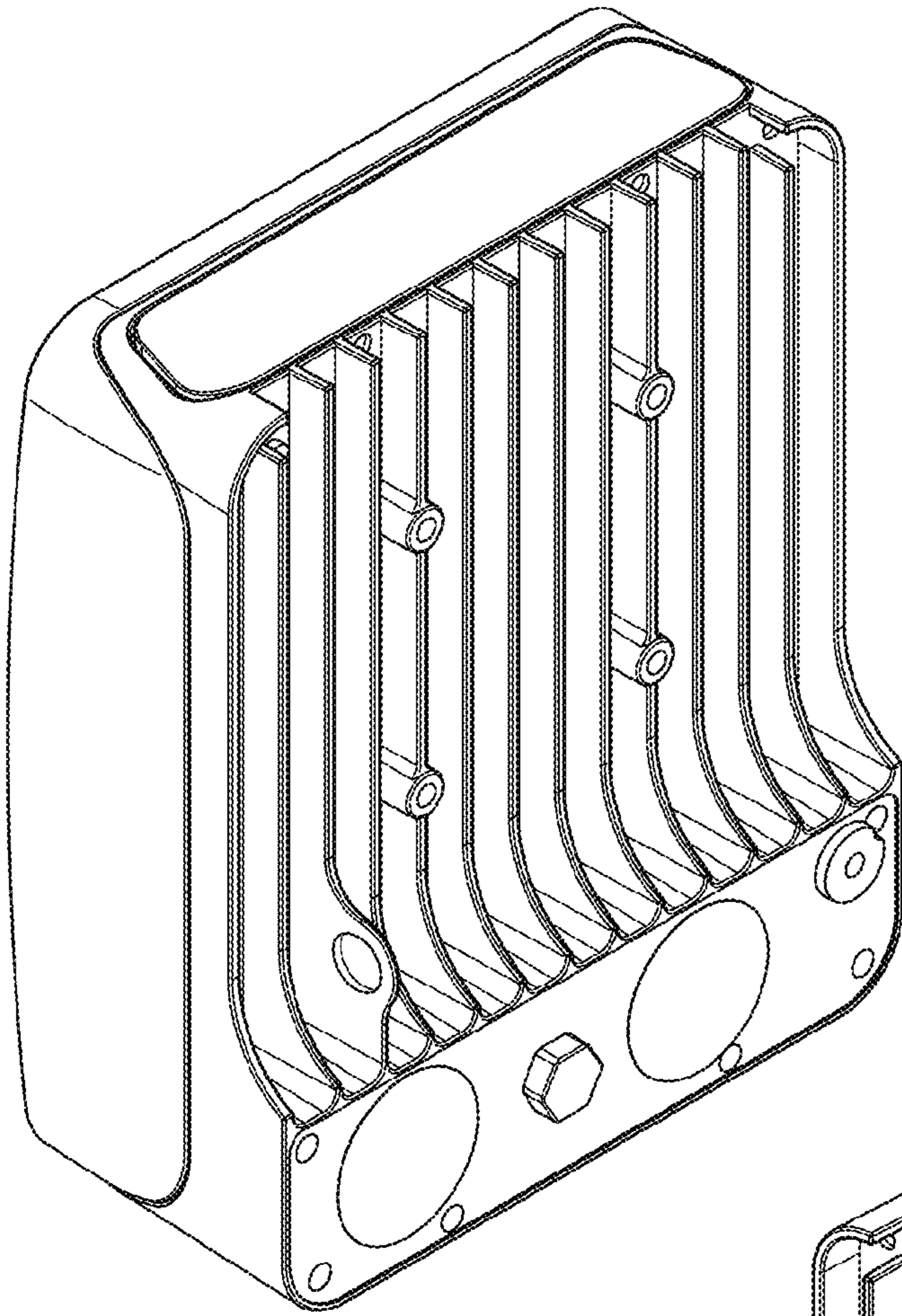


FIG. 31

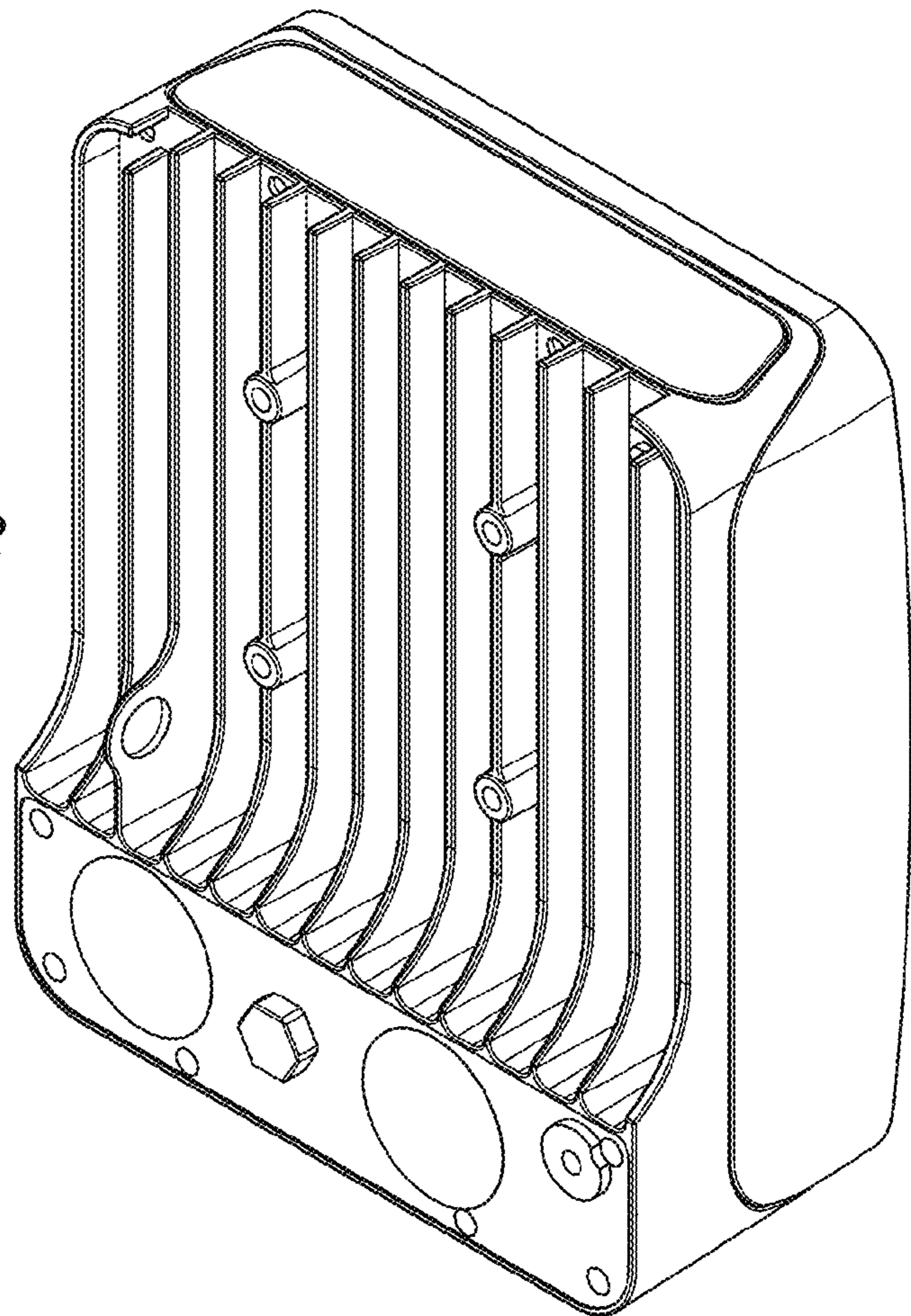


FIG. 32

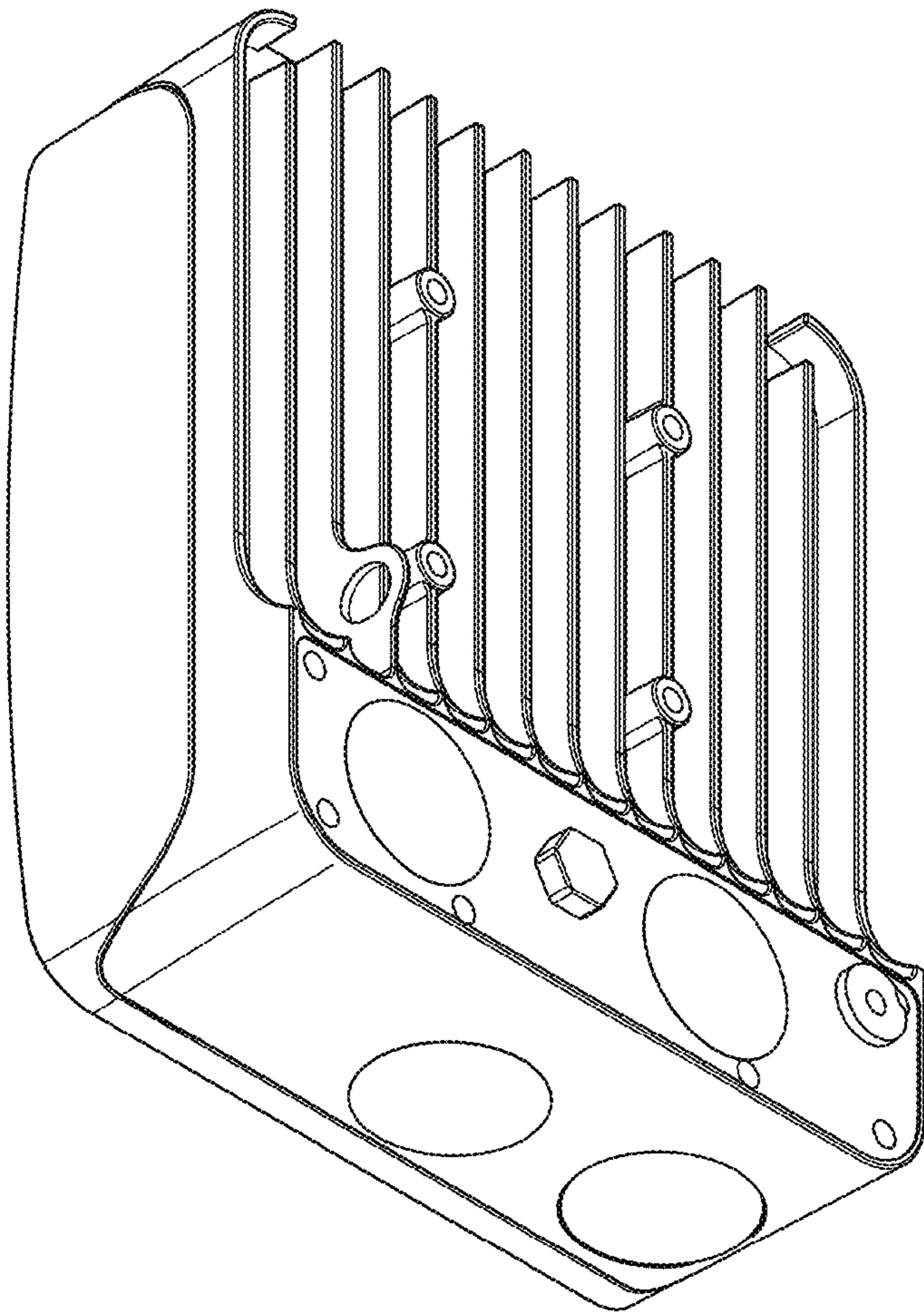


FIG. 33

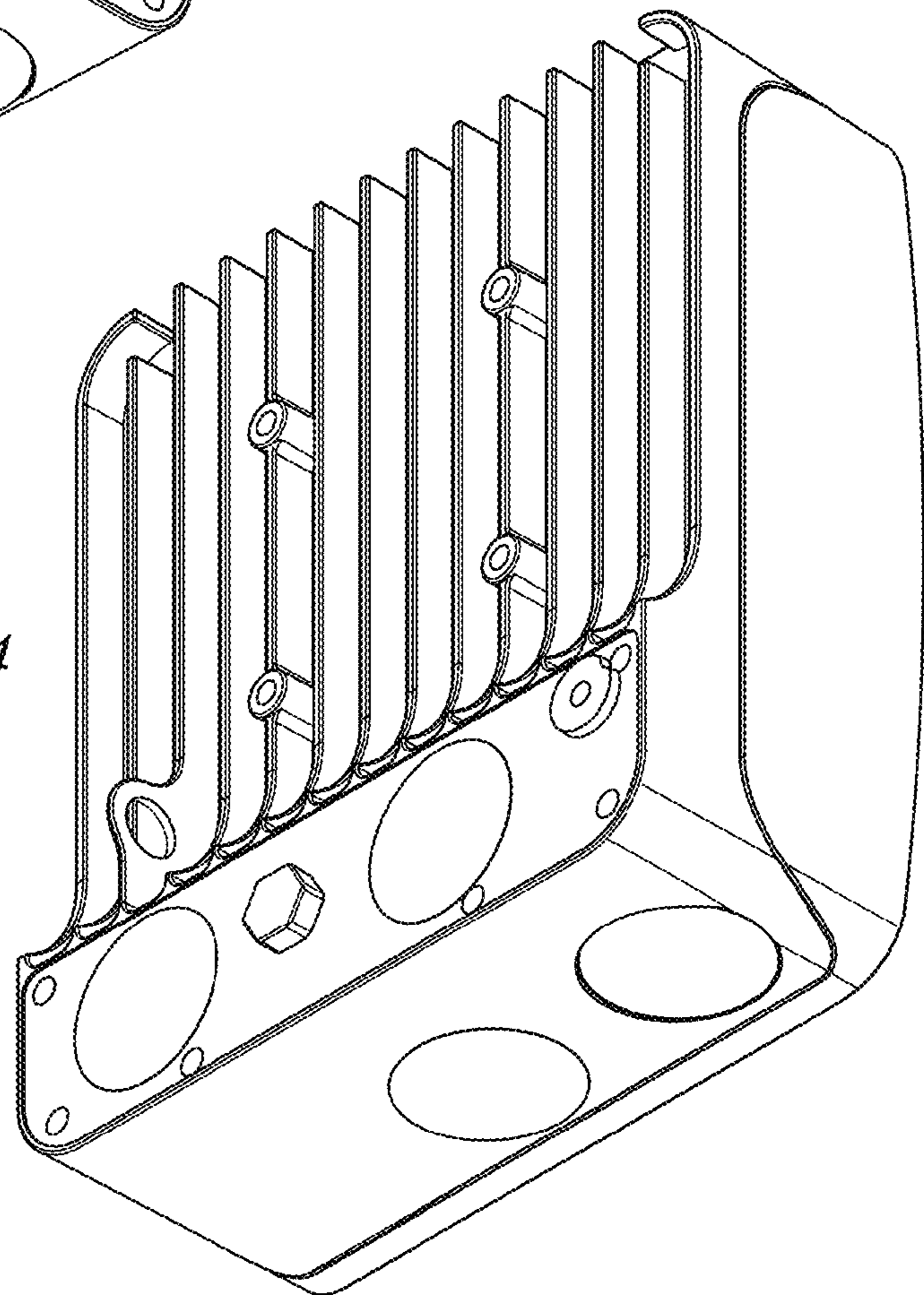


FIG. 34

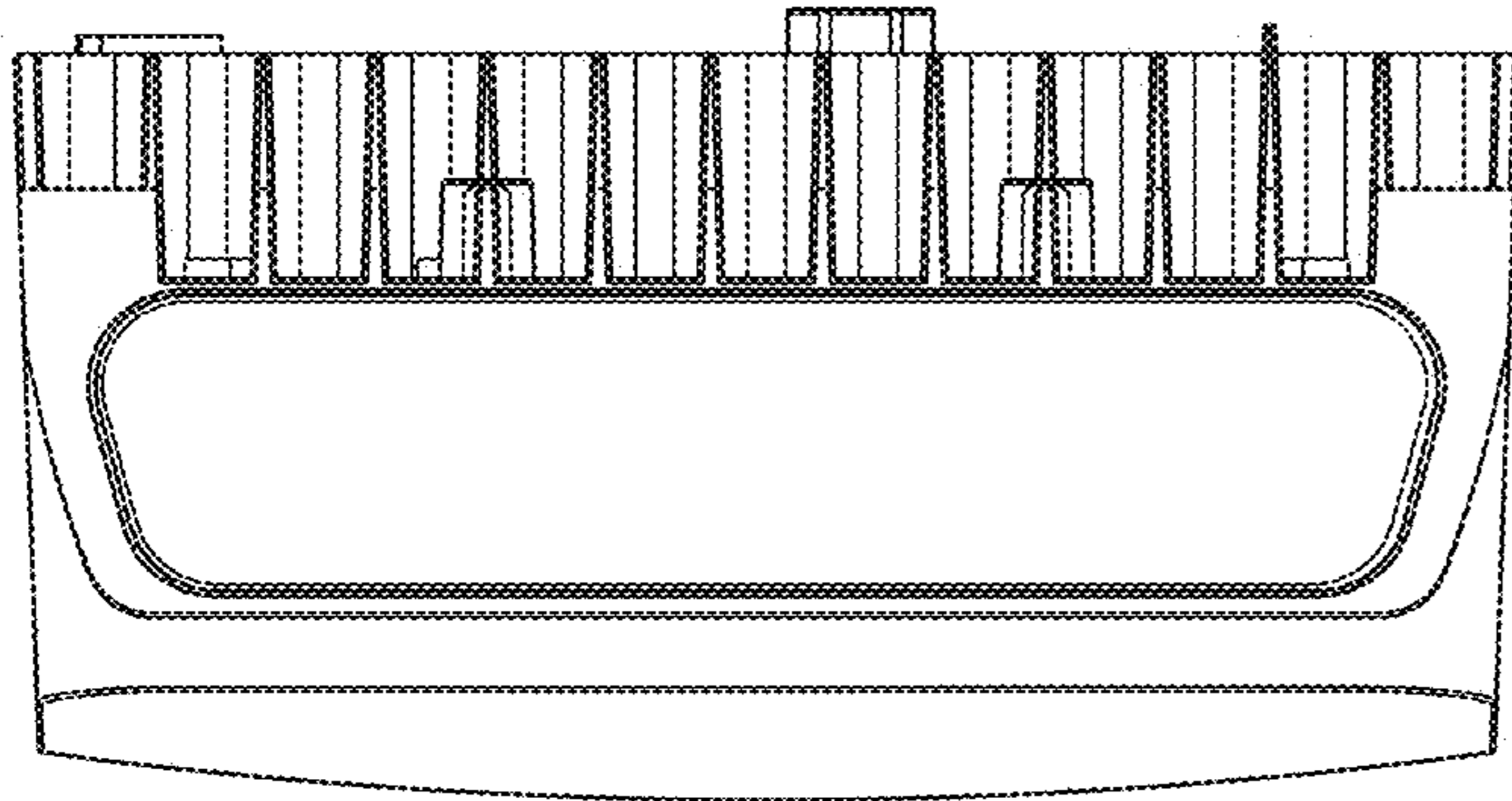


FIG. 36

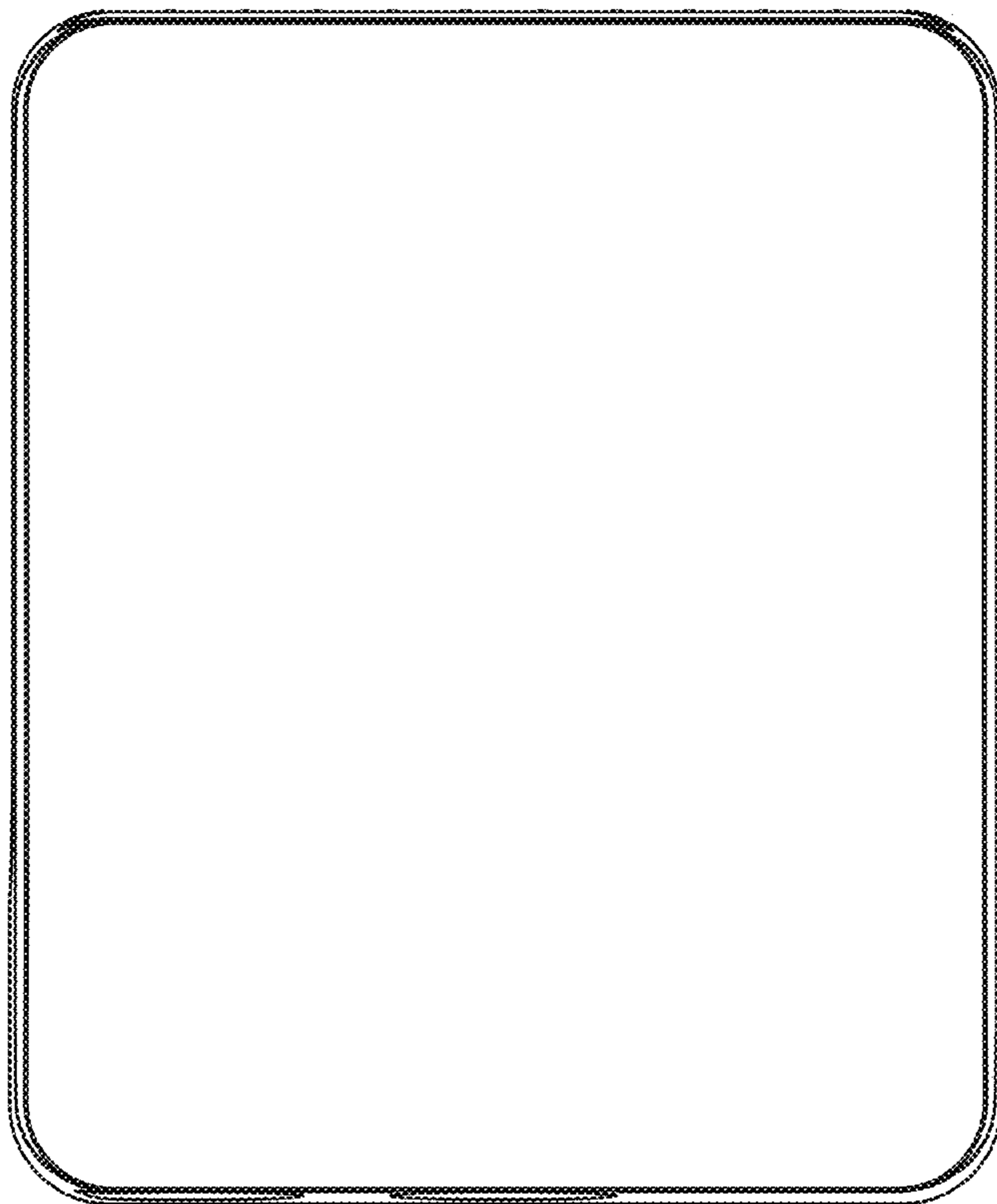


FIG. 35

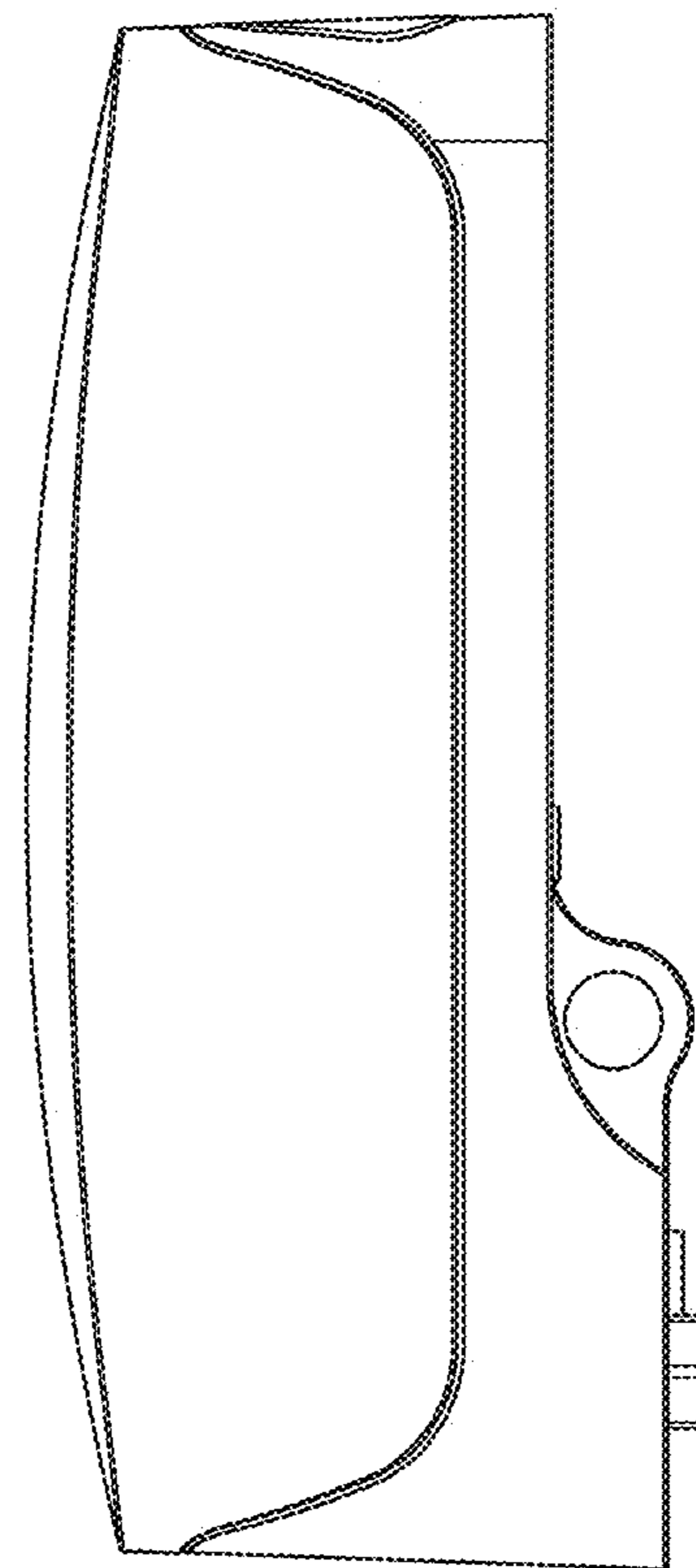


FIG. 37

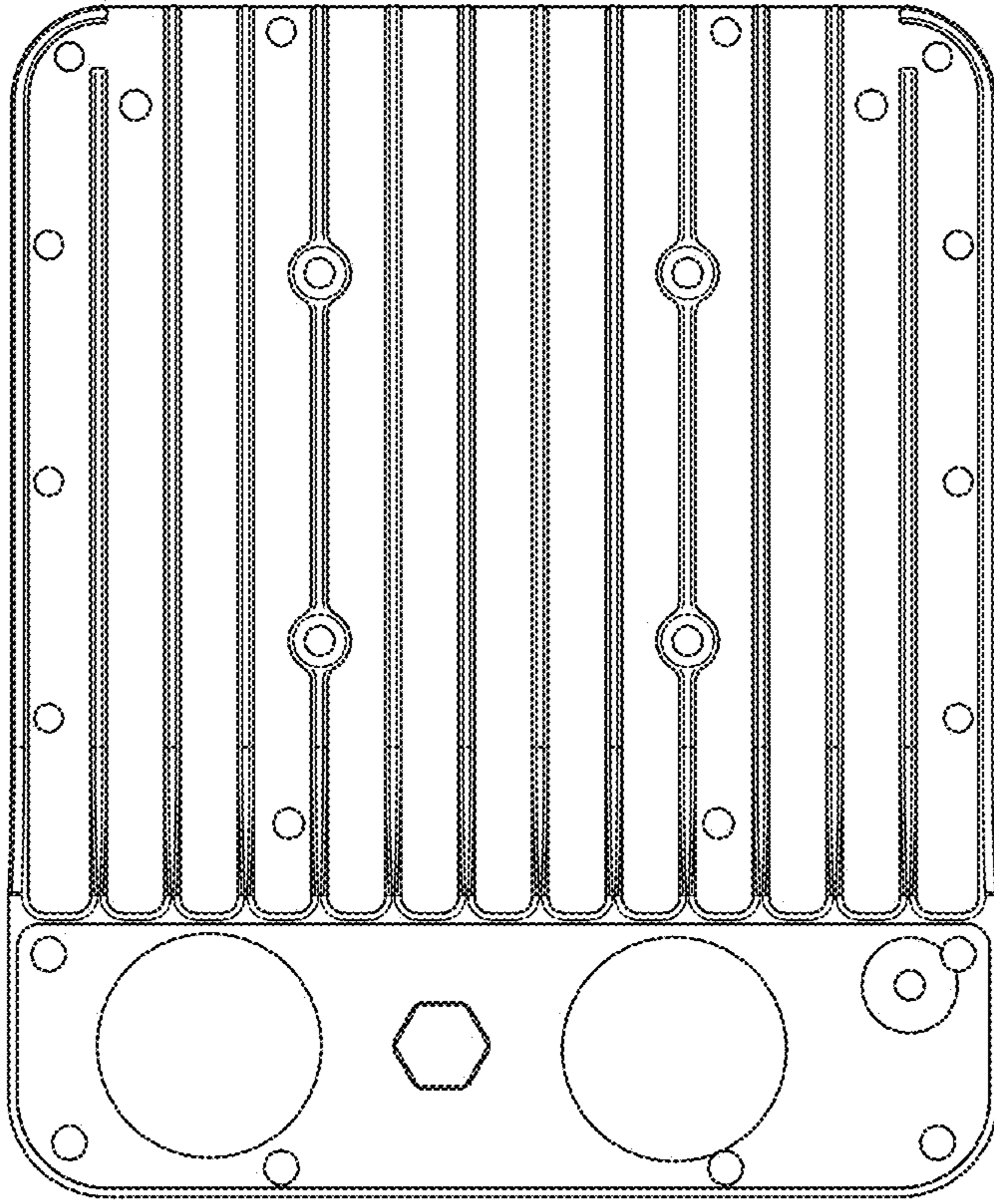


FIG. 38

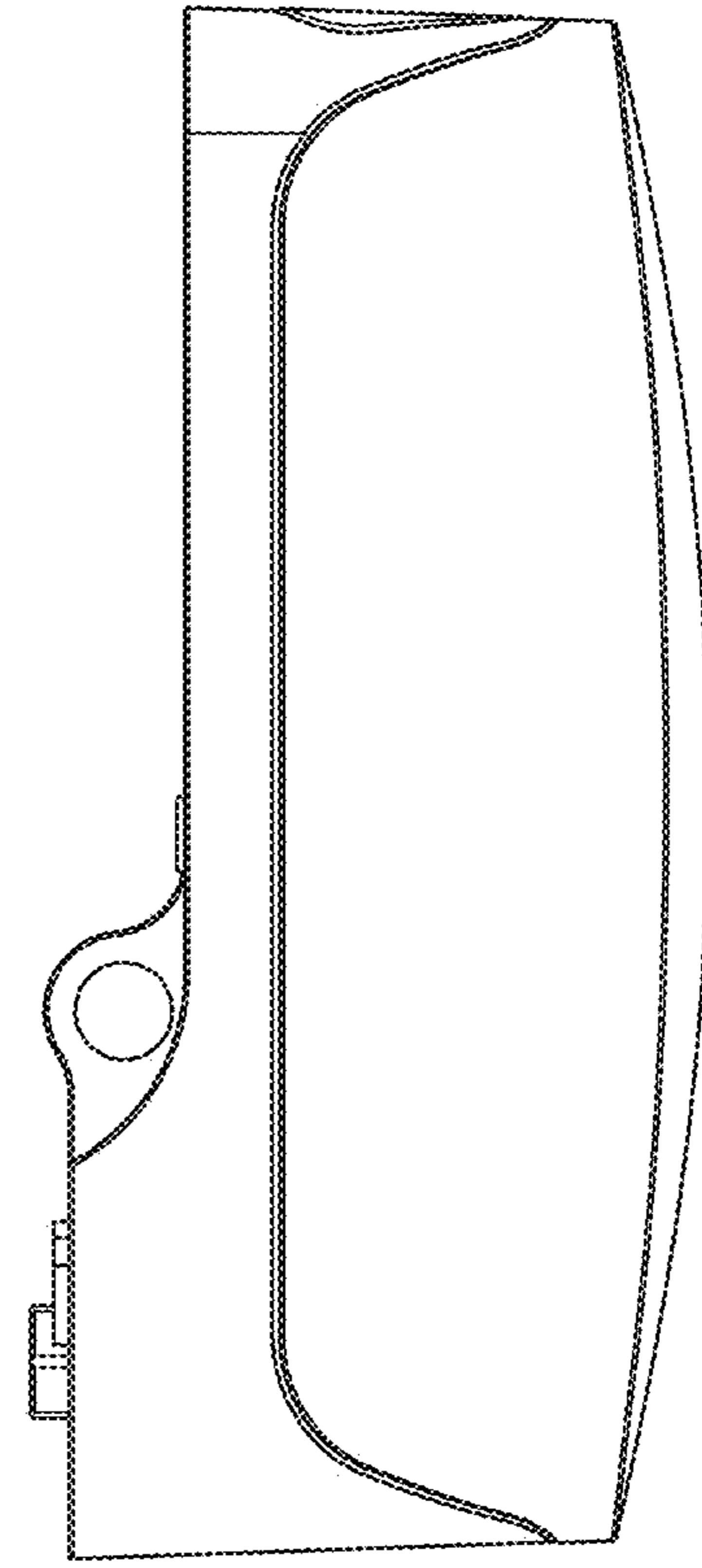


FIG. 40

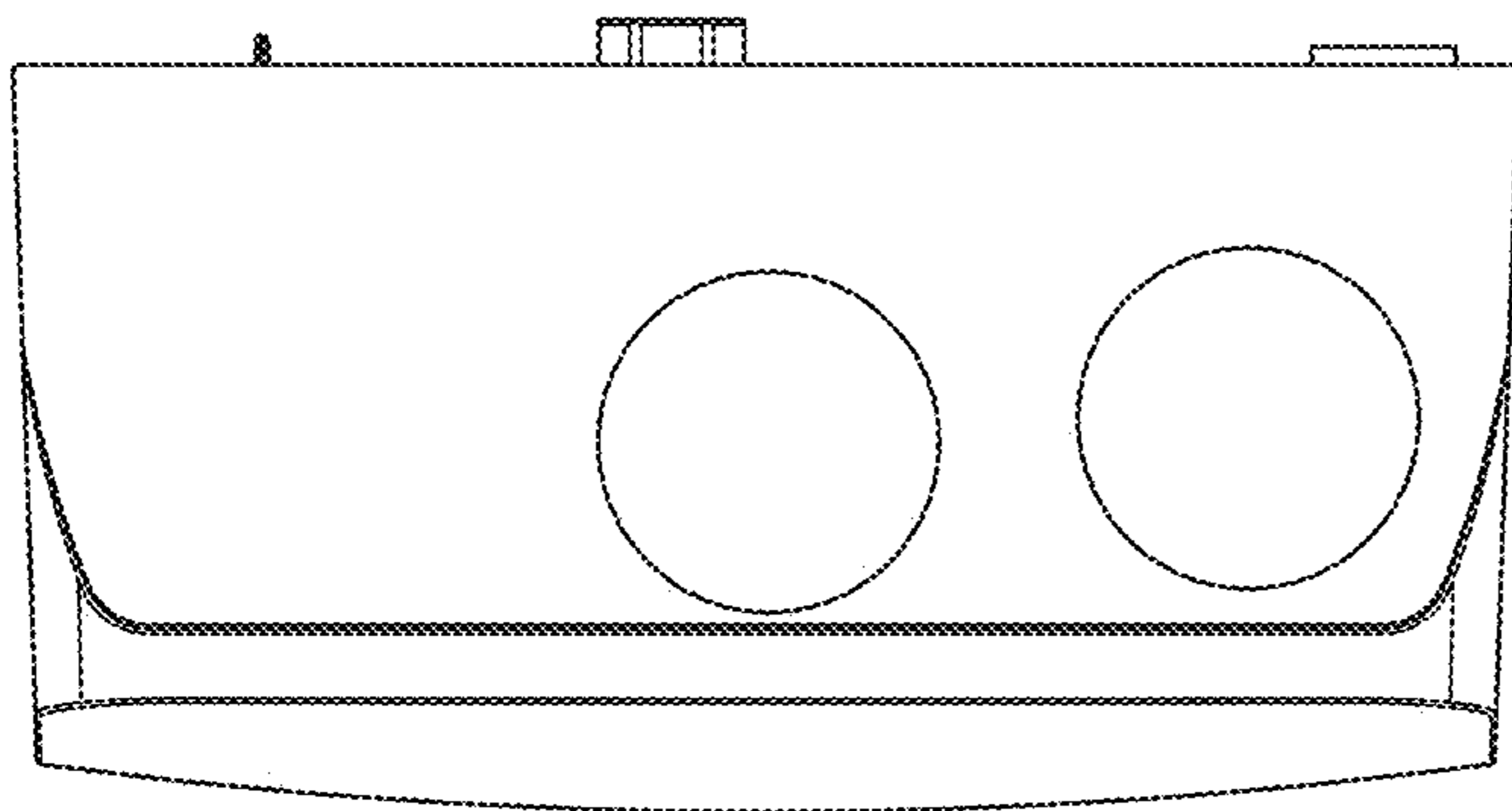


FIG. 39

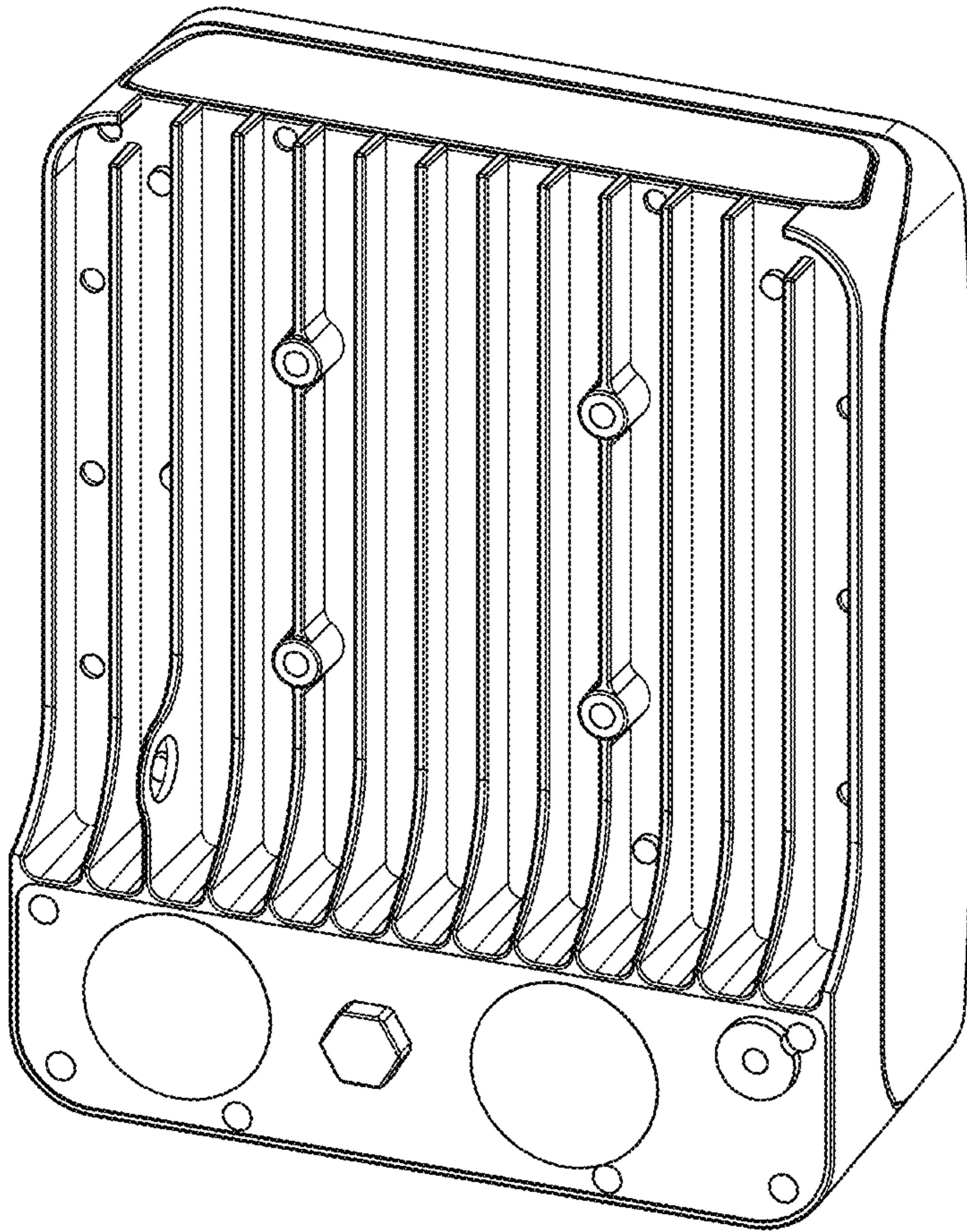


FIG. 41

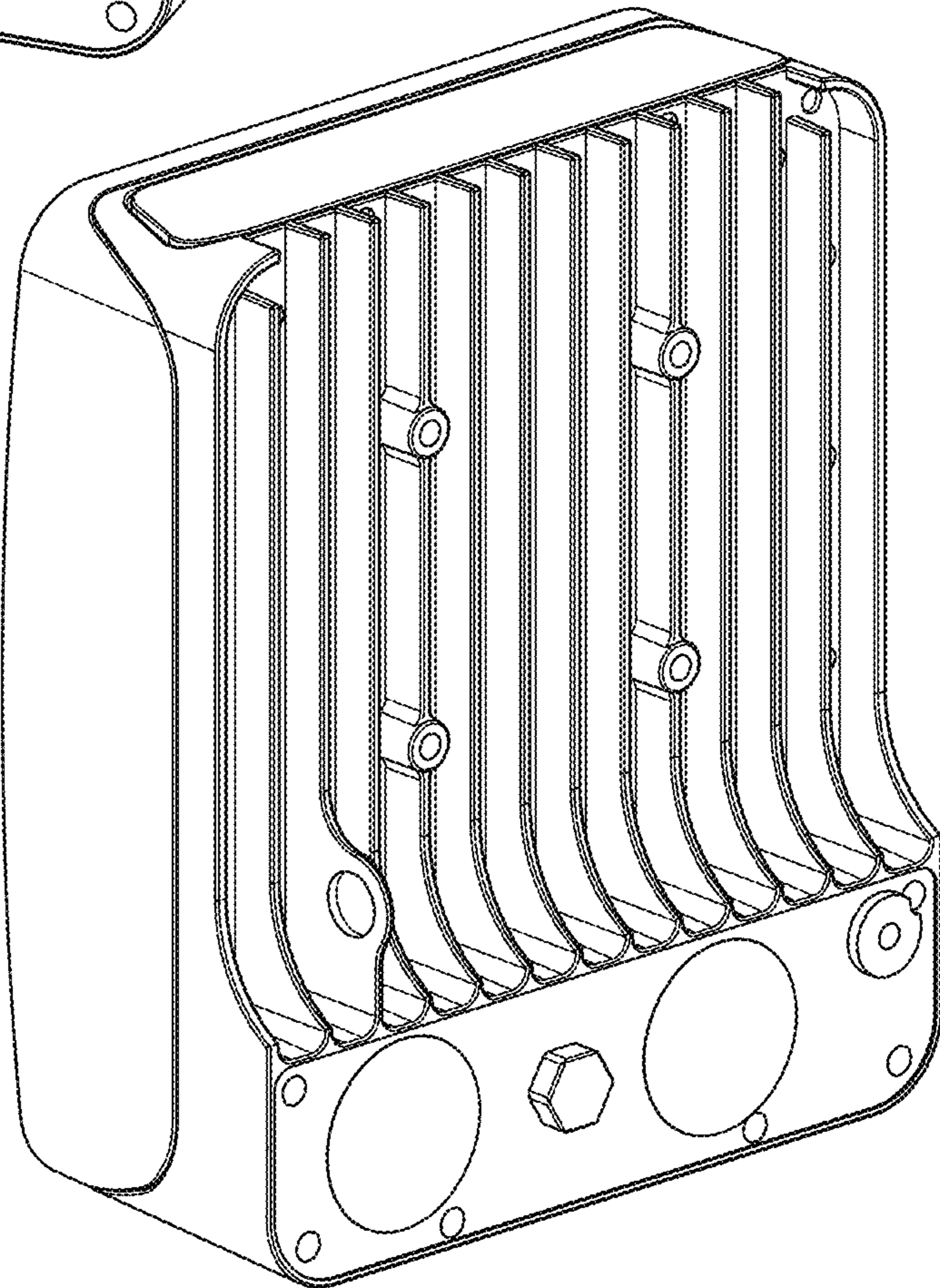


FIG. 42

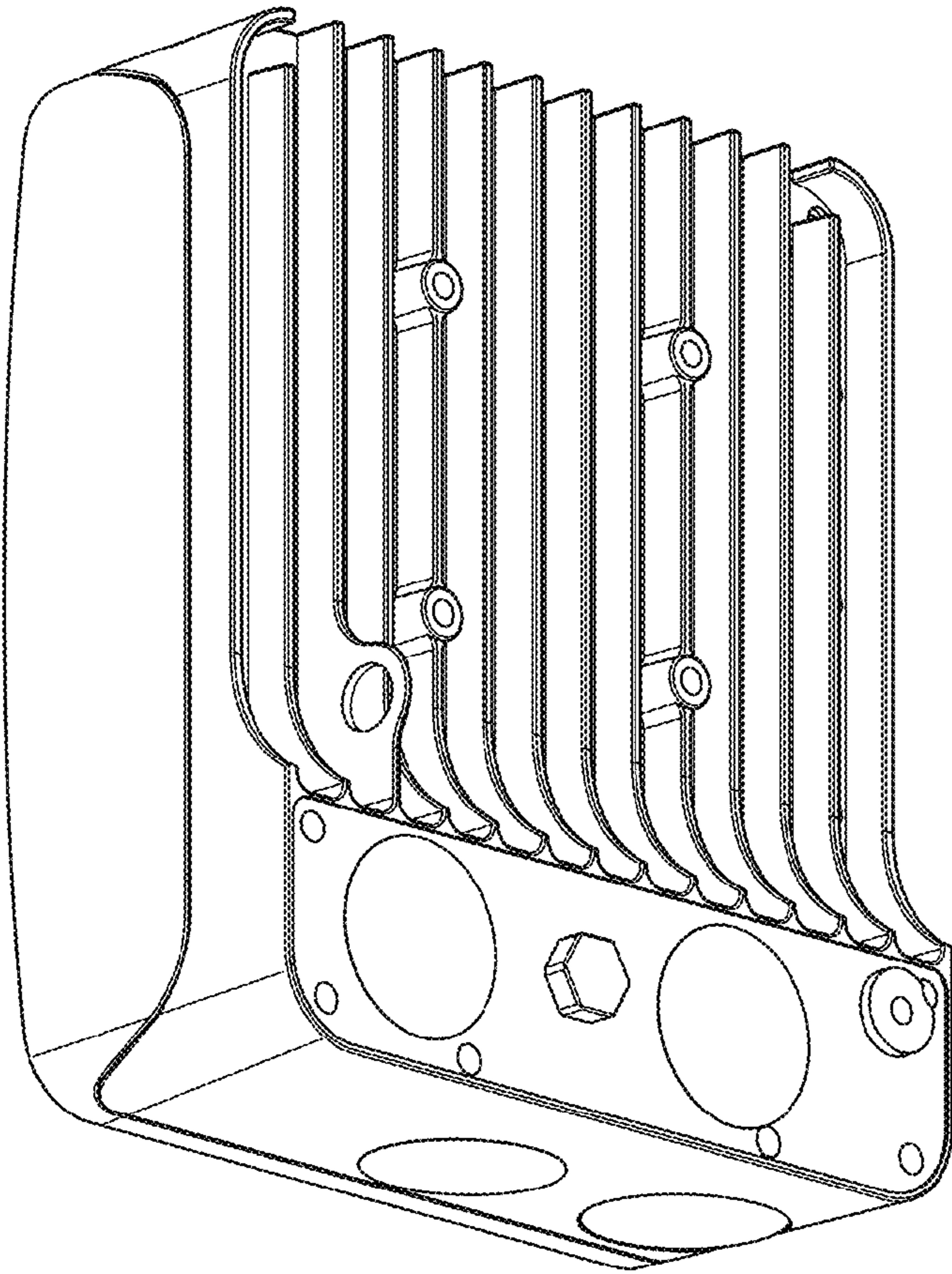
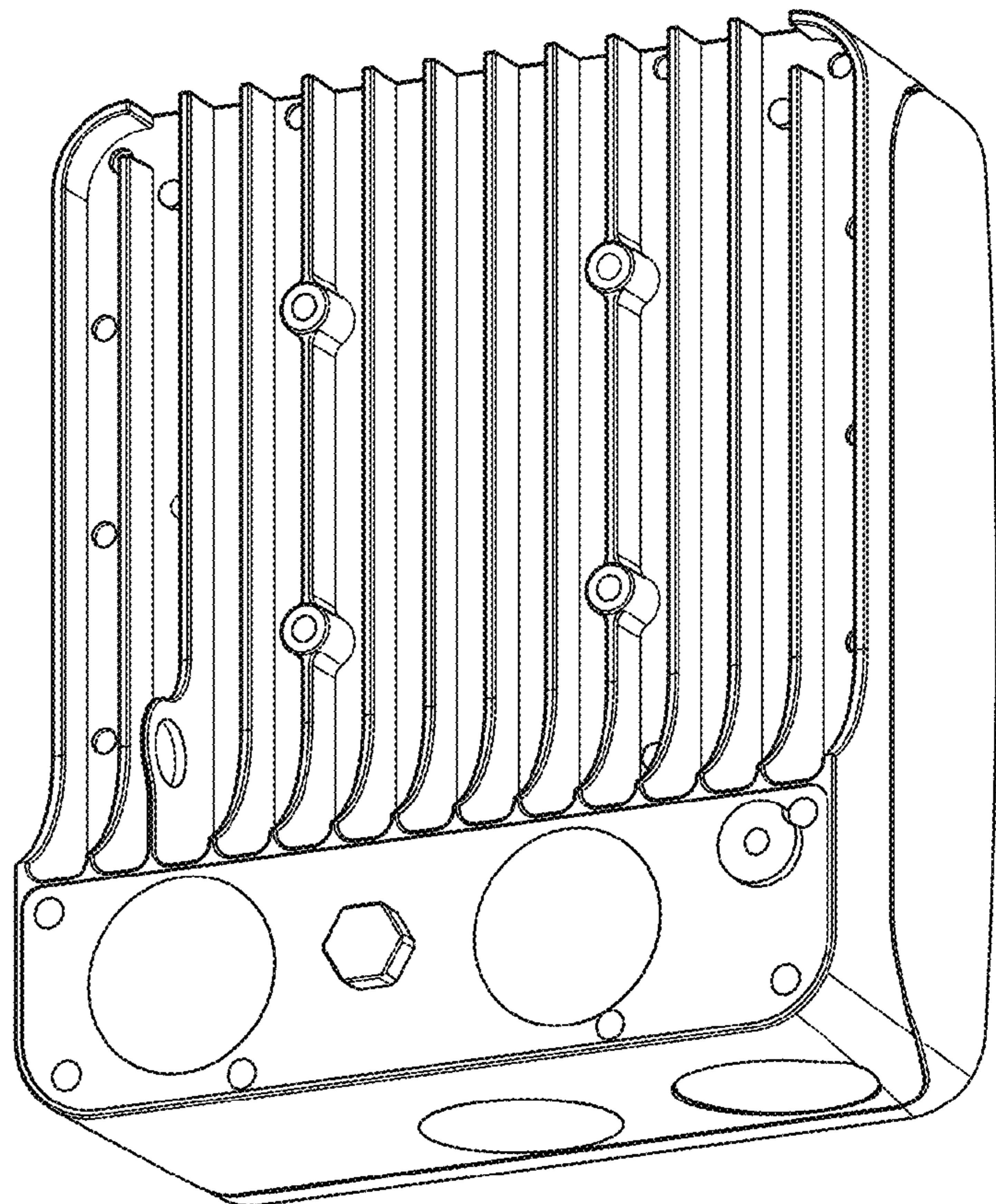


FIG. 43

FIG. 44



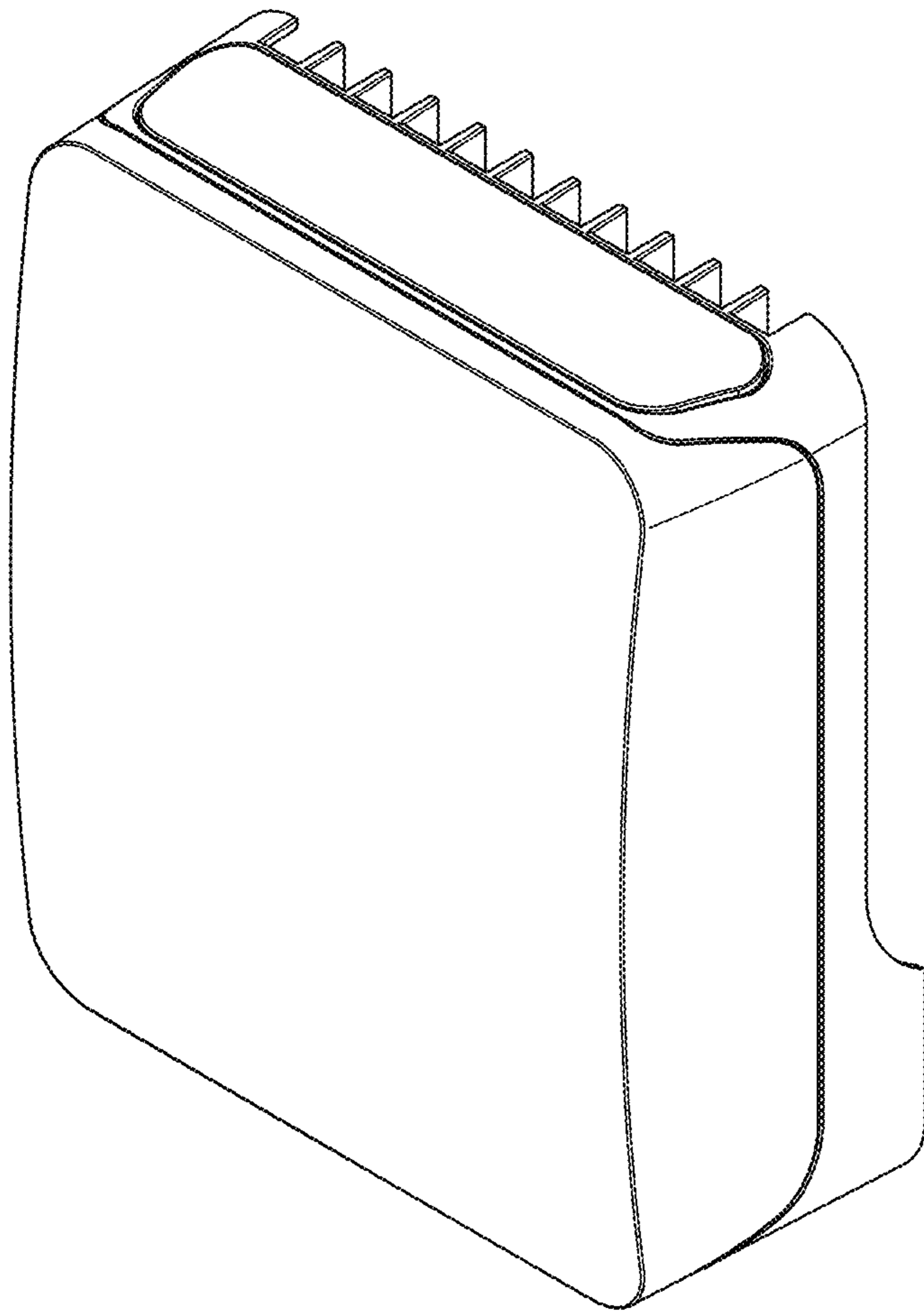


FIG. 45

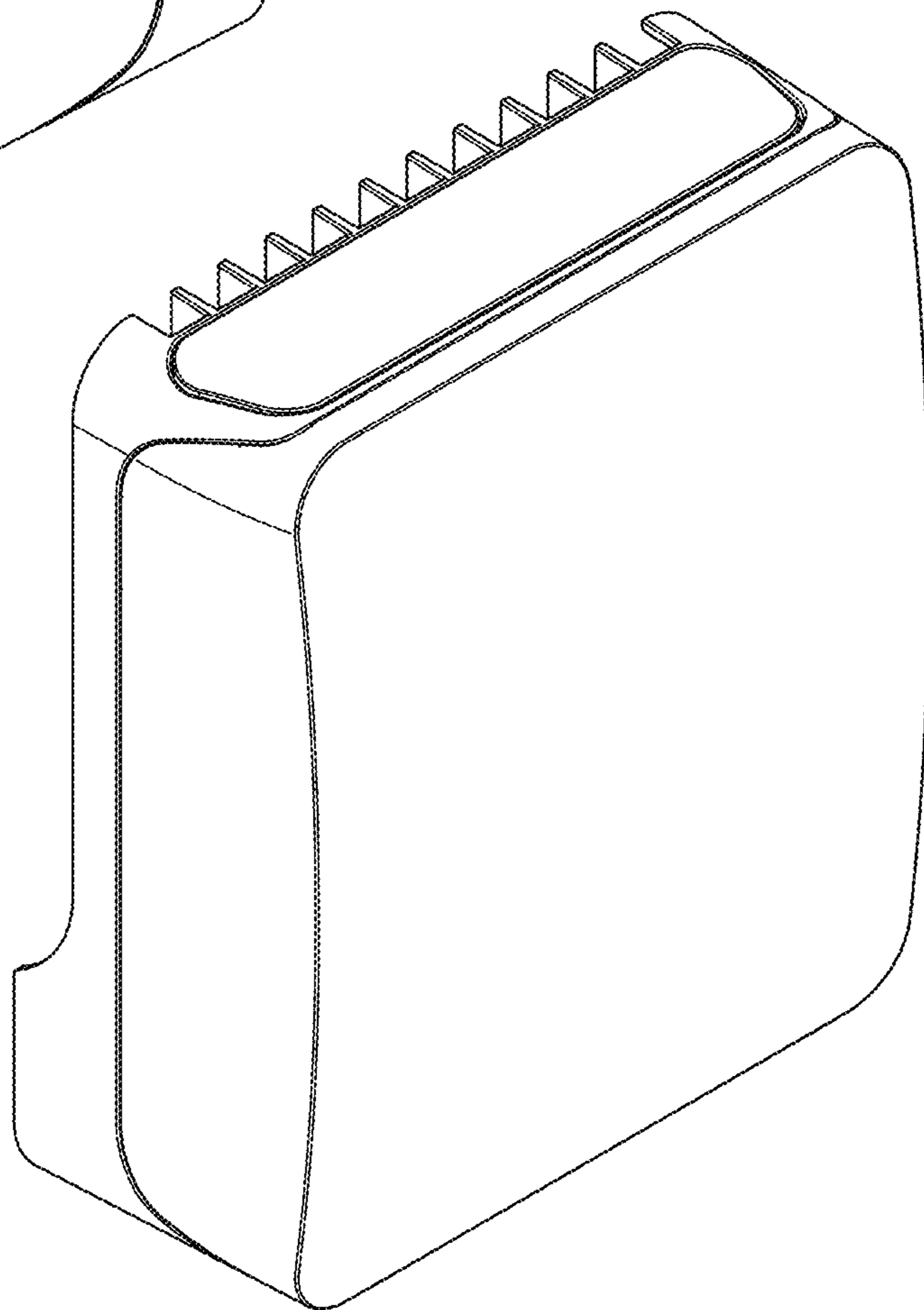


FIG. 46

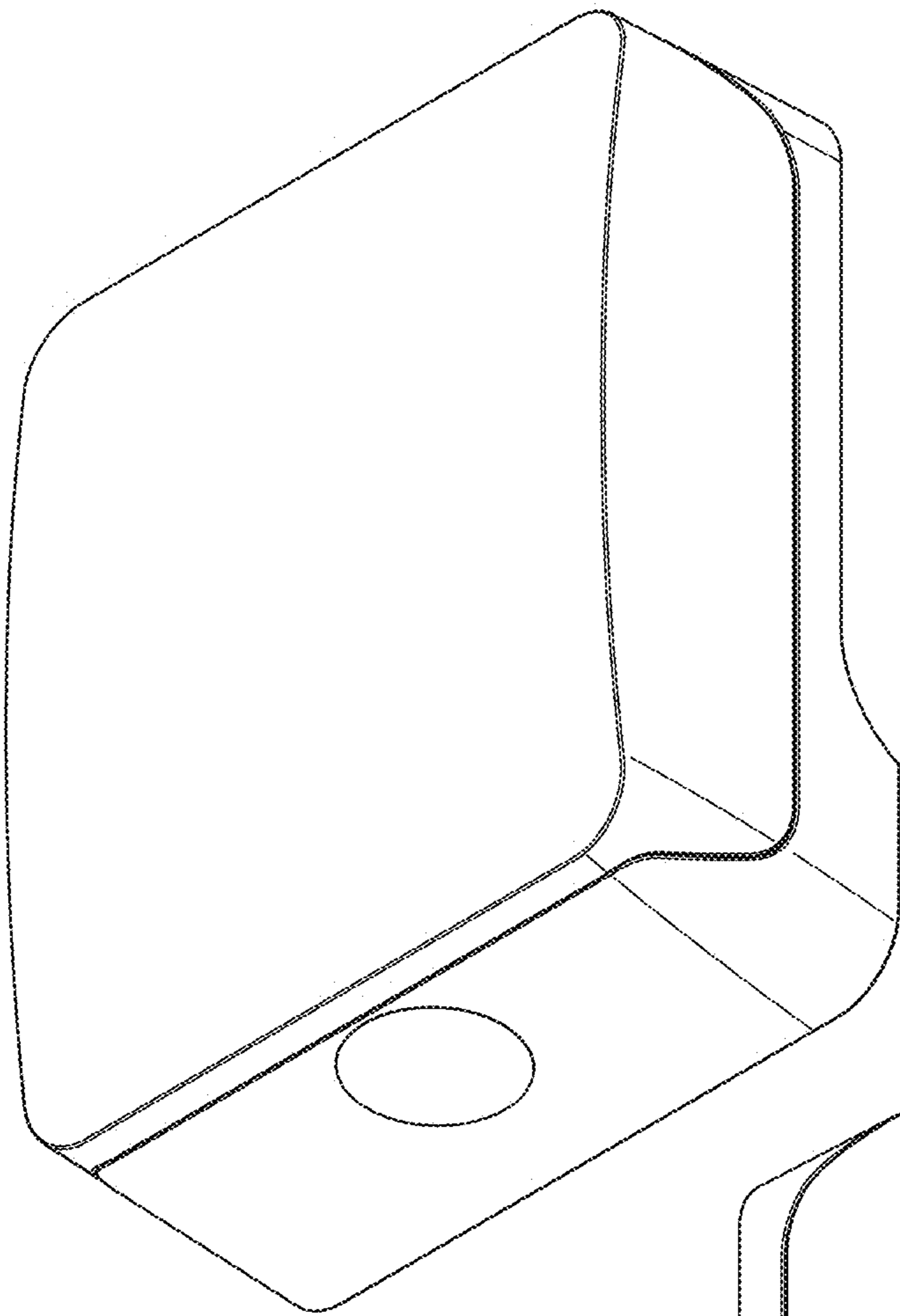


FIG. 47

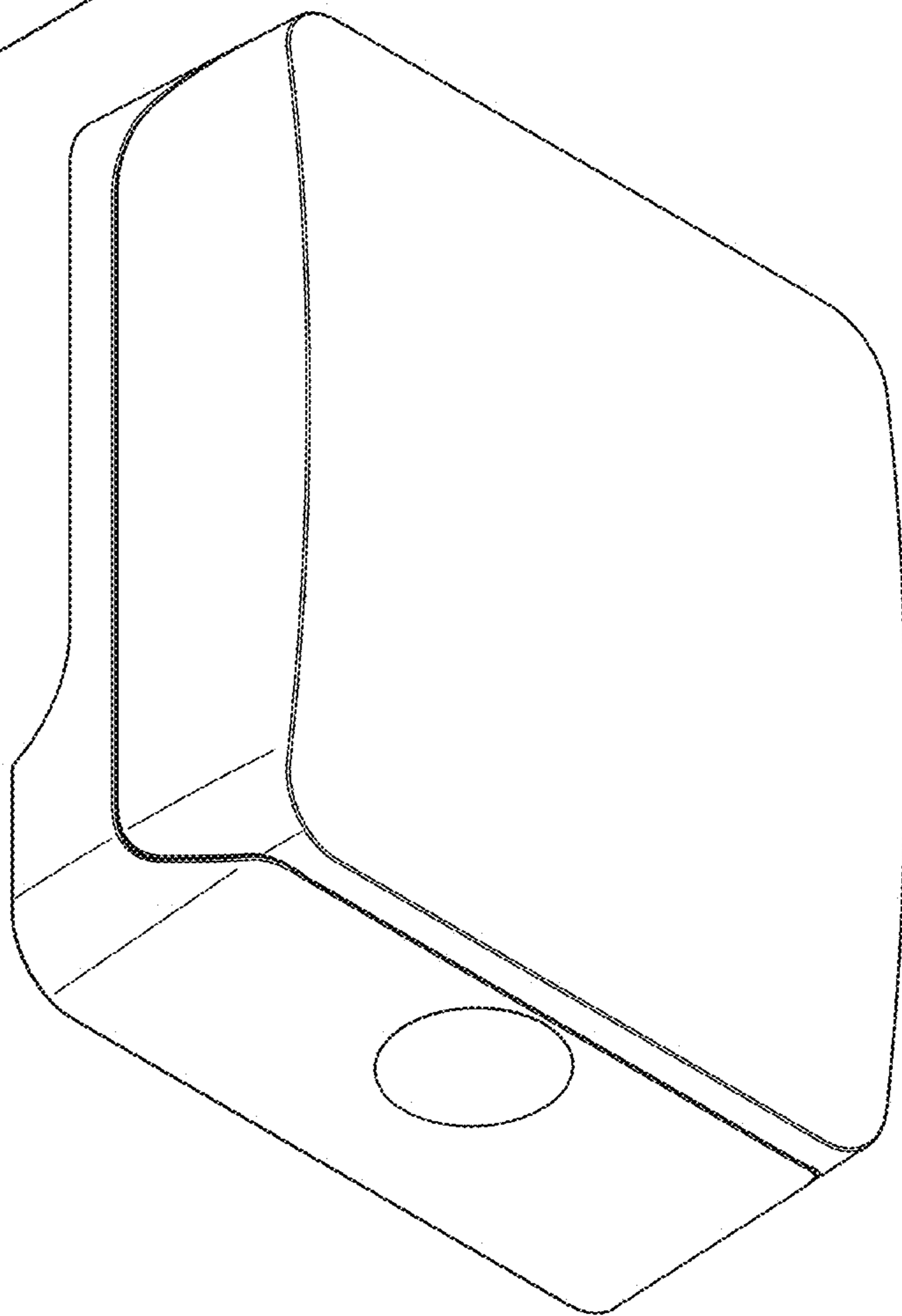


FIG. 48

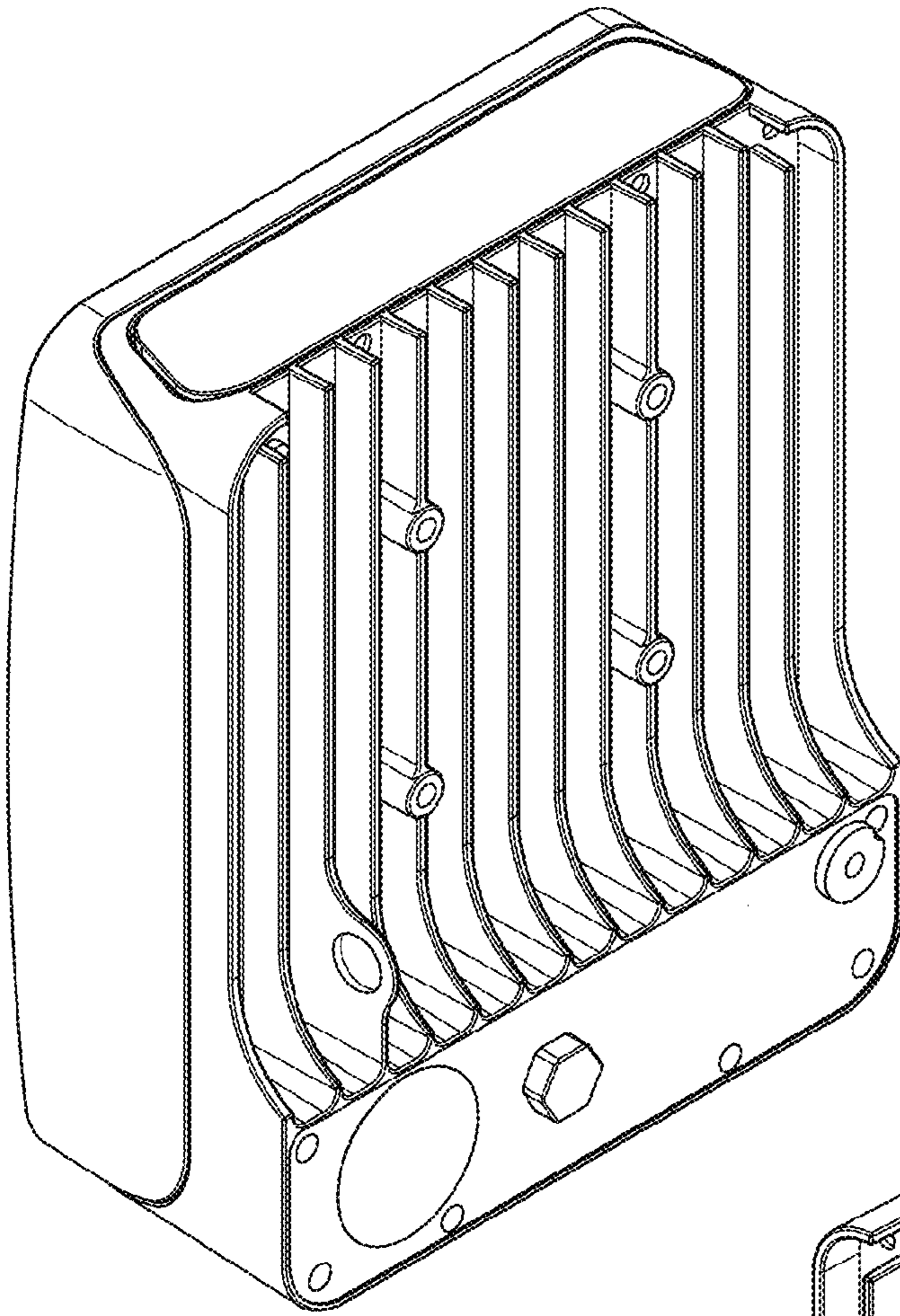


FIG. 49

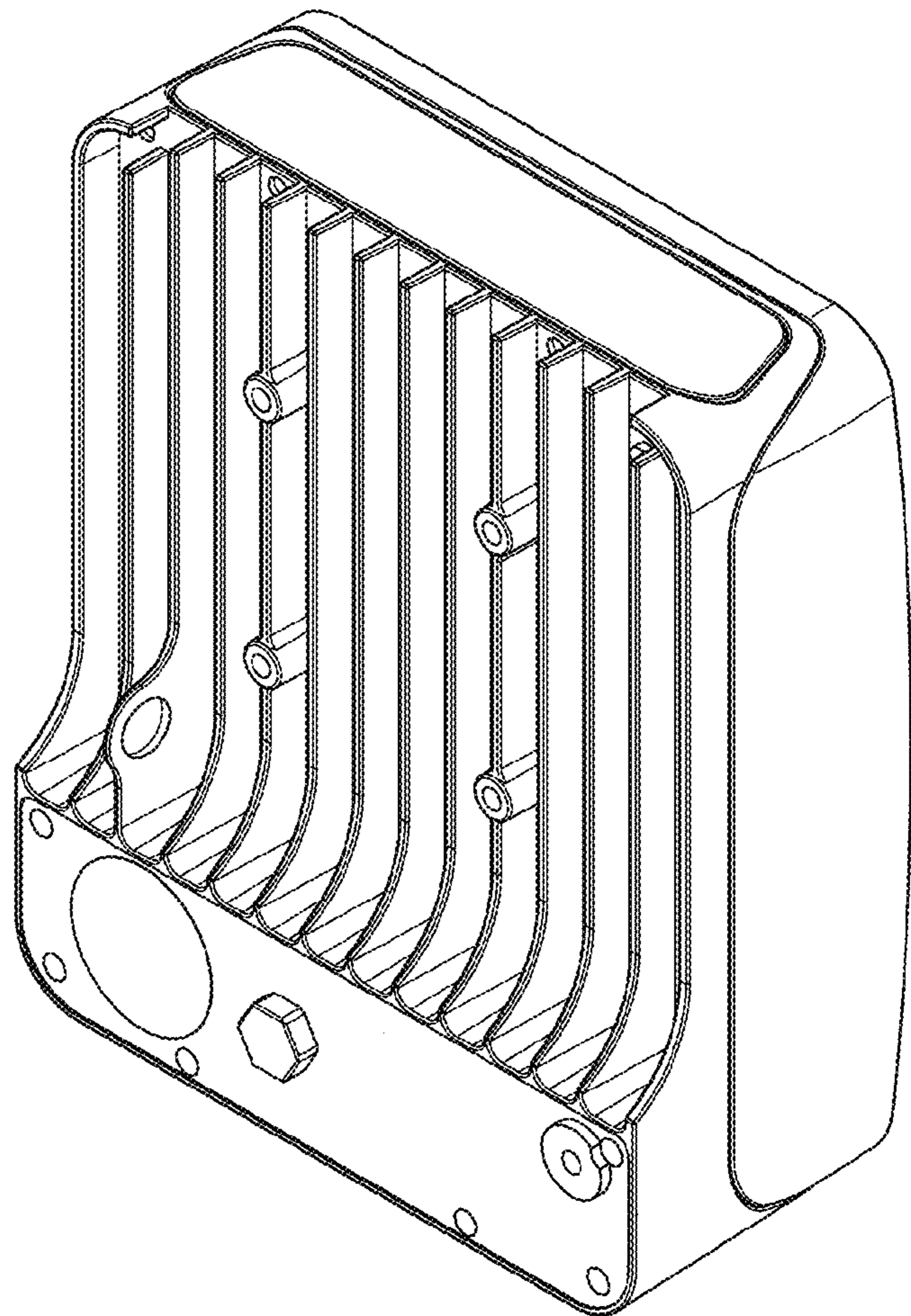


FIG. 50

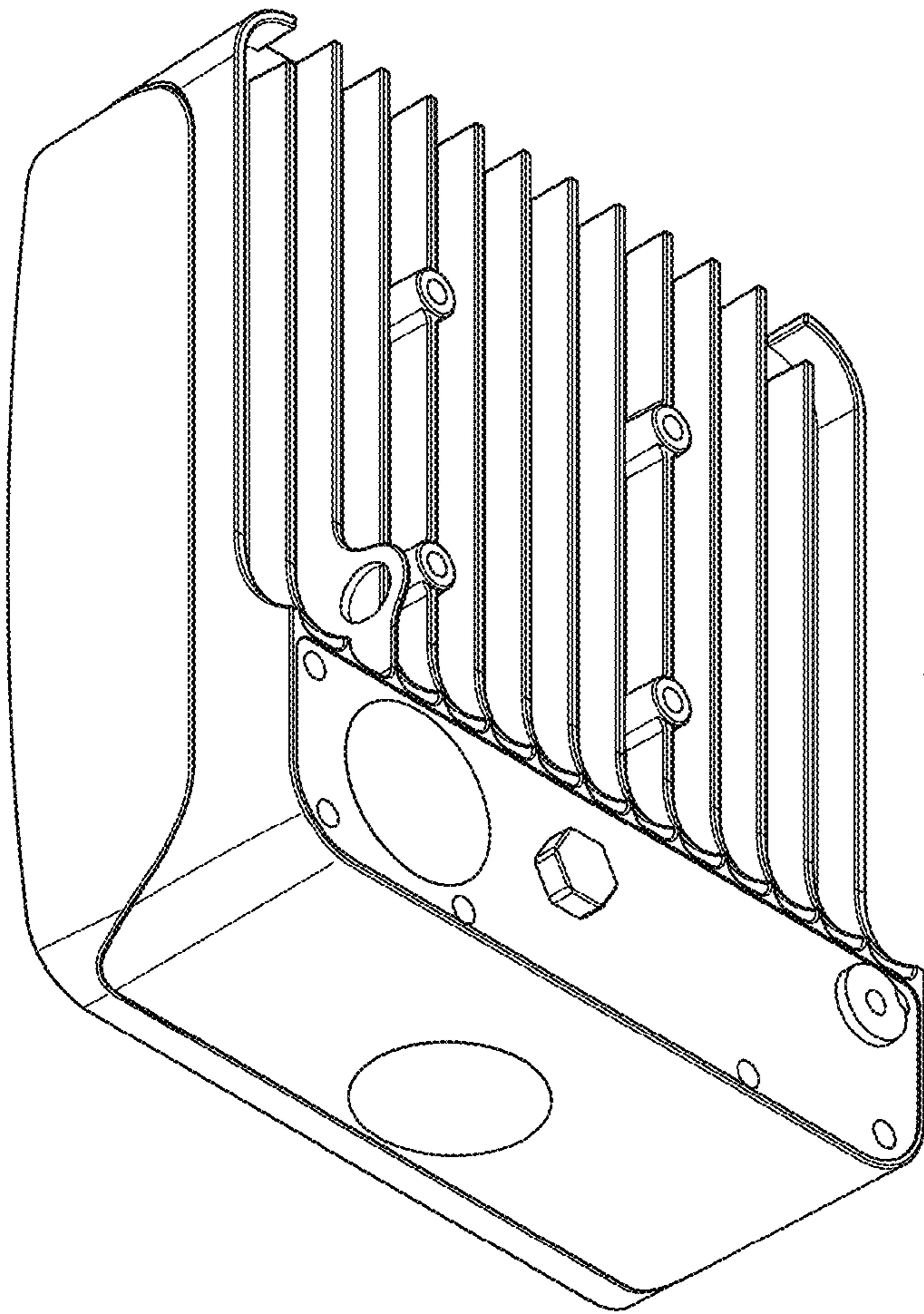


FIG. 51

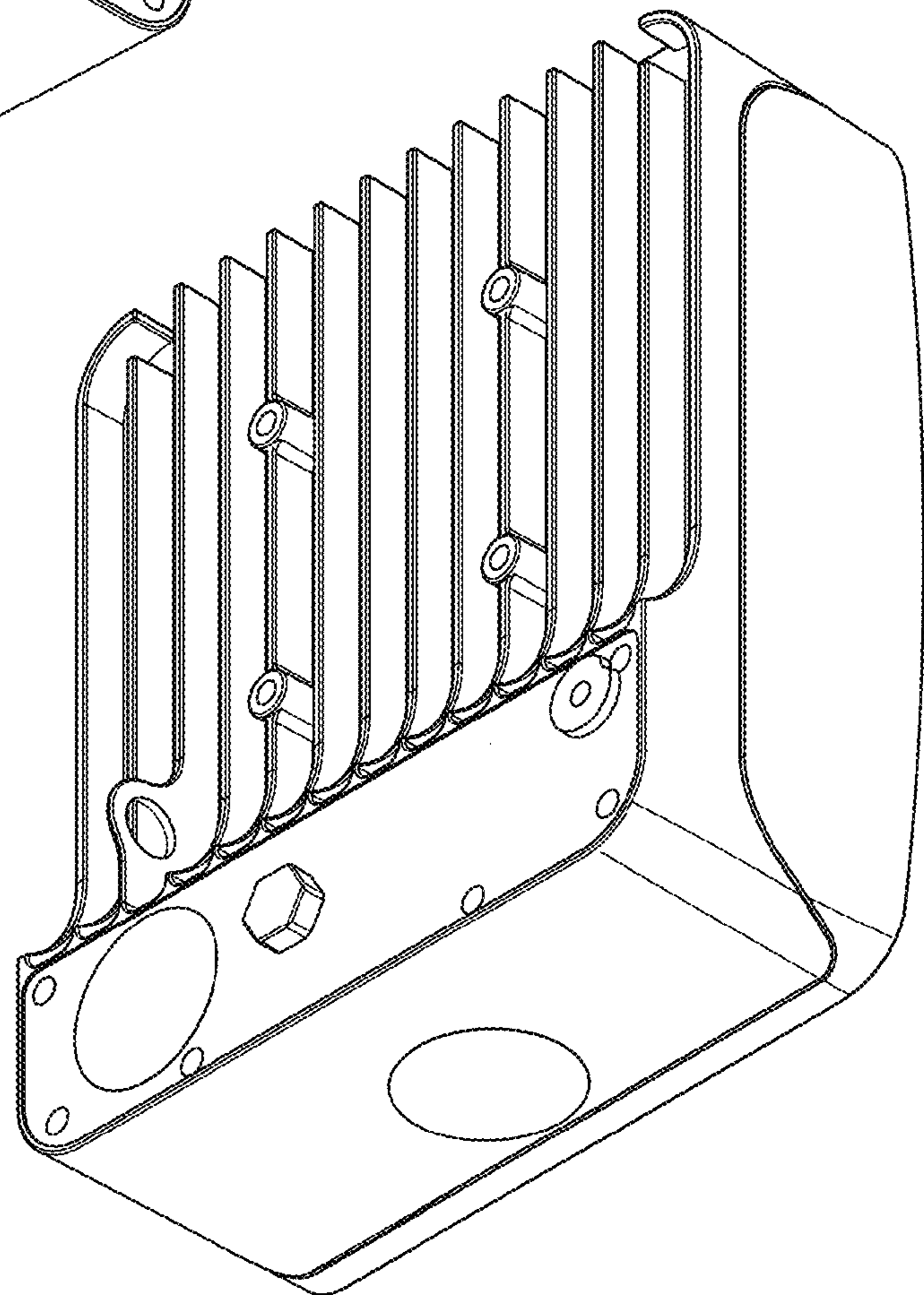


FIG. 52

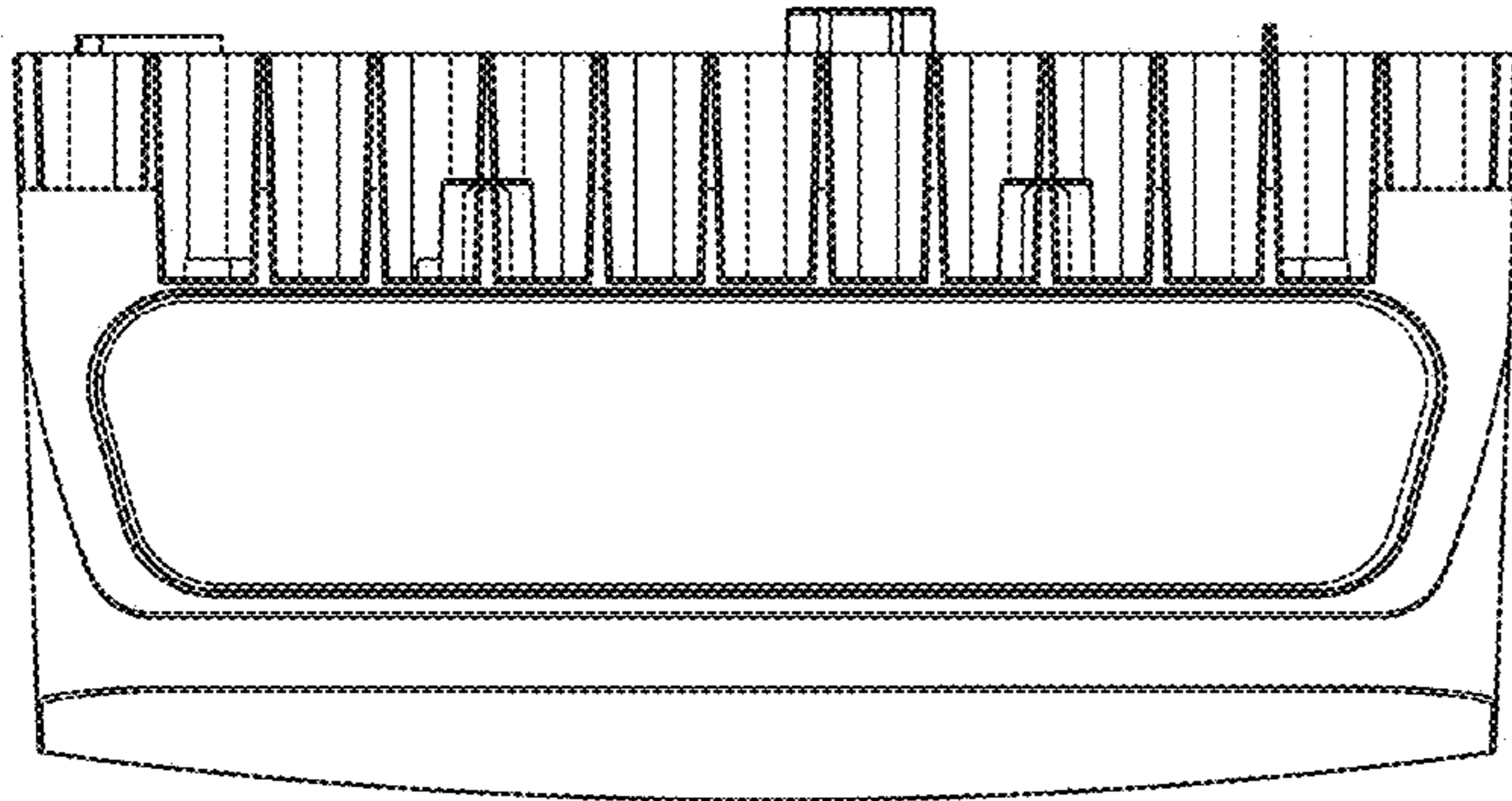


FIG. 54

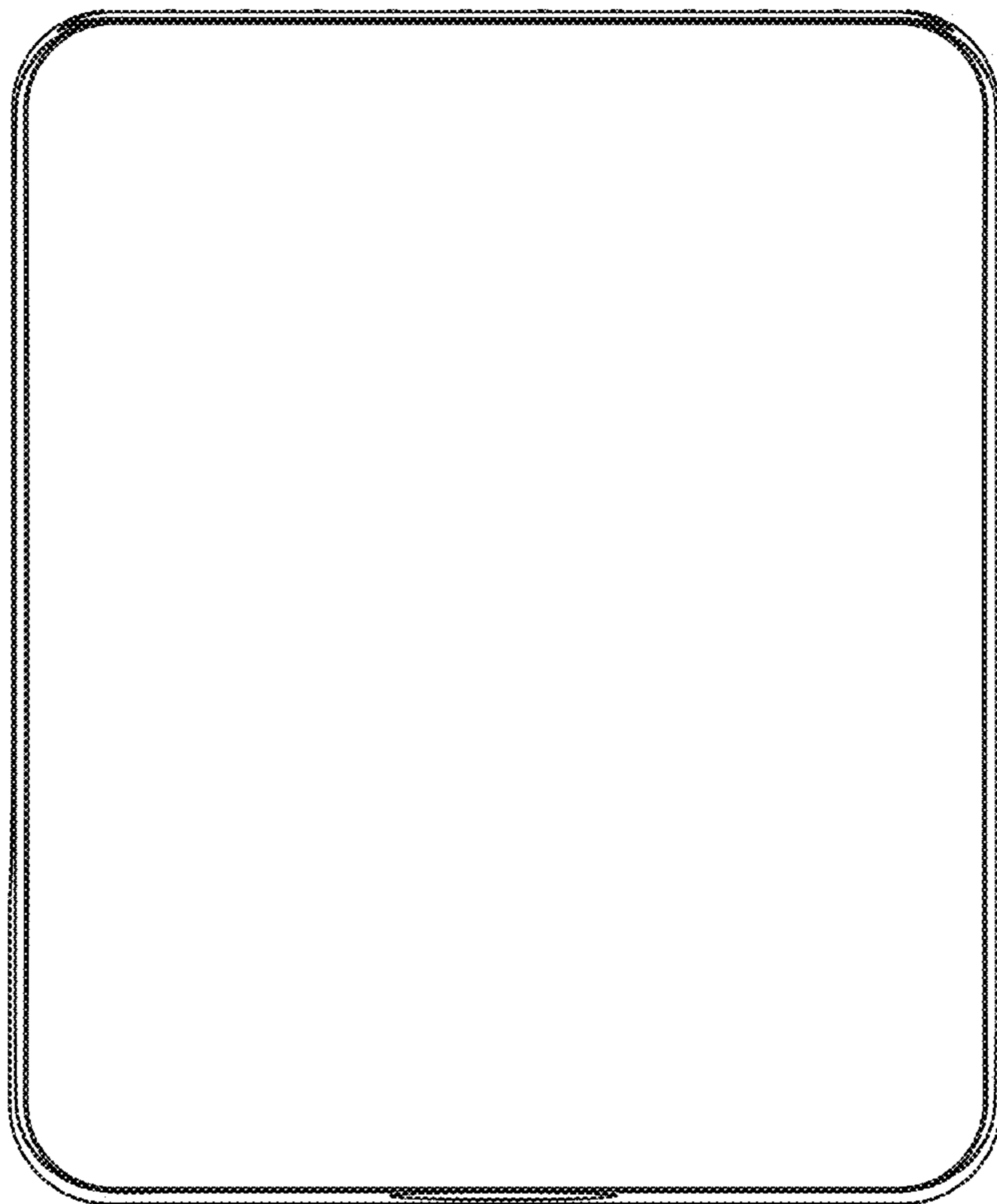


FIG. 53

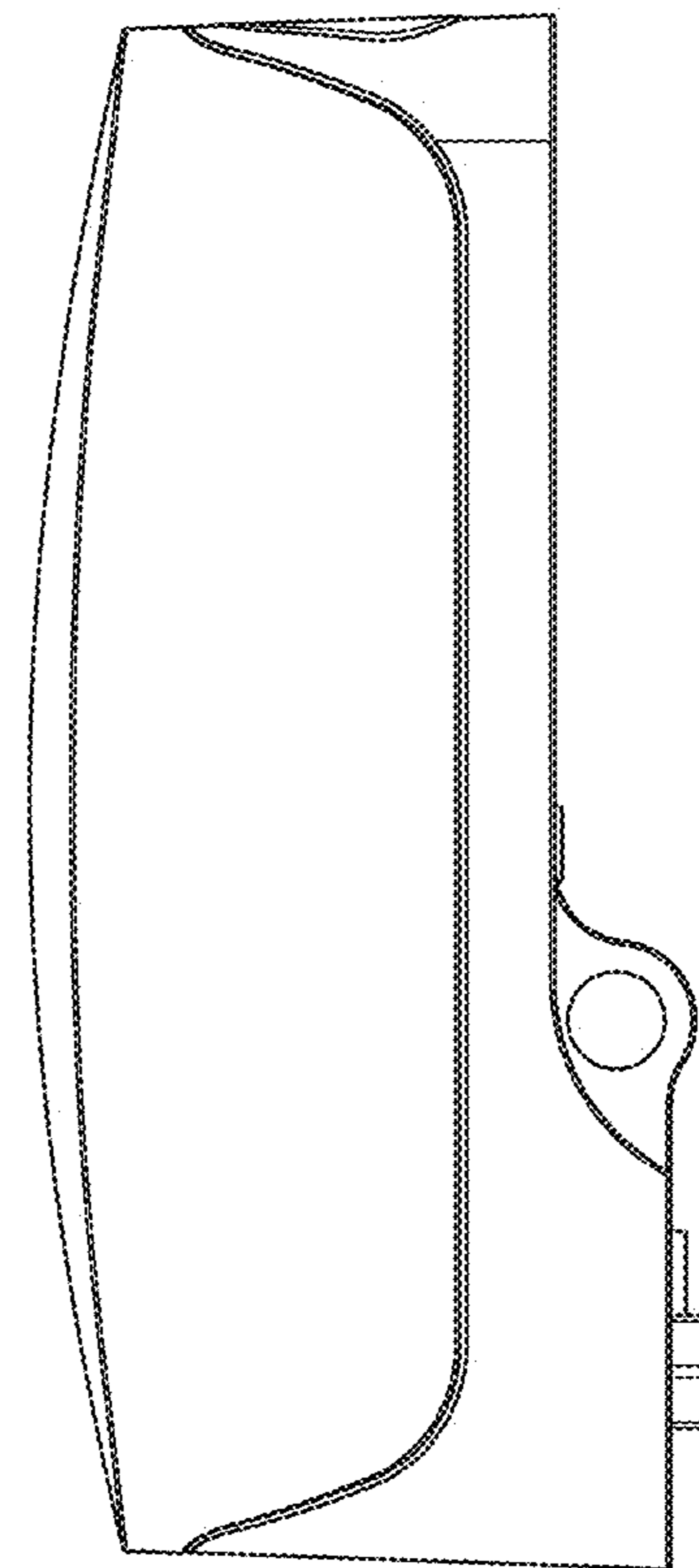


FIG. 55

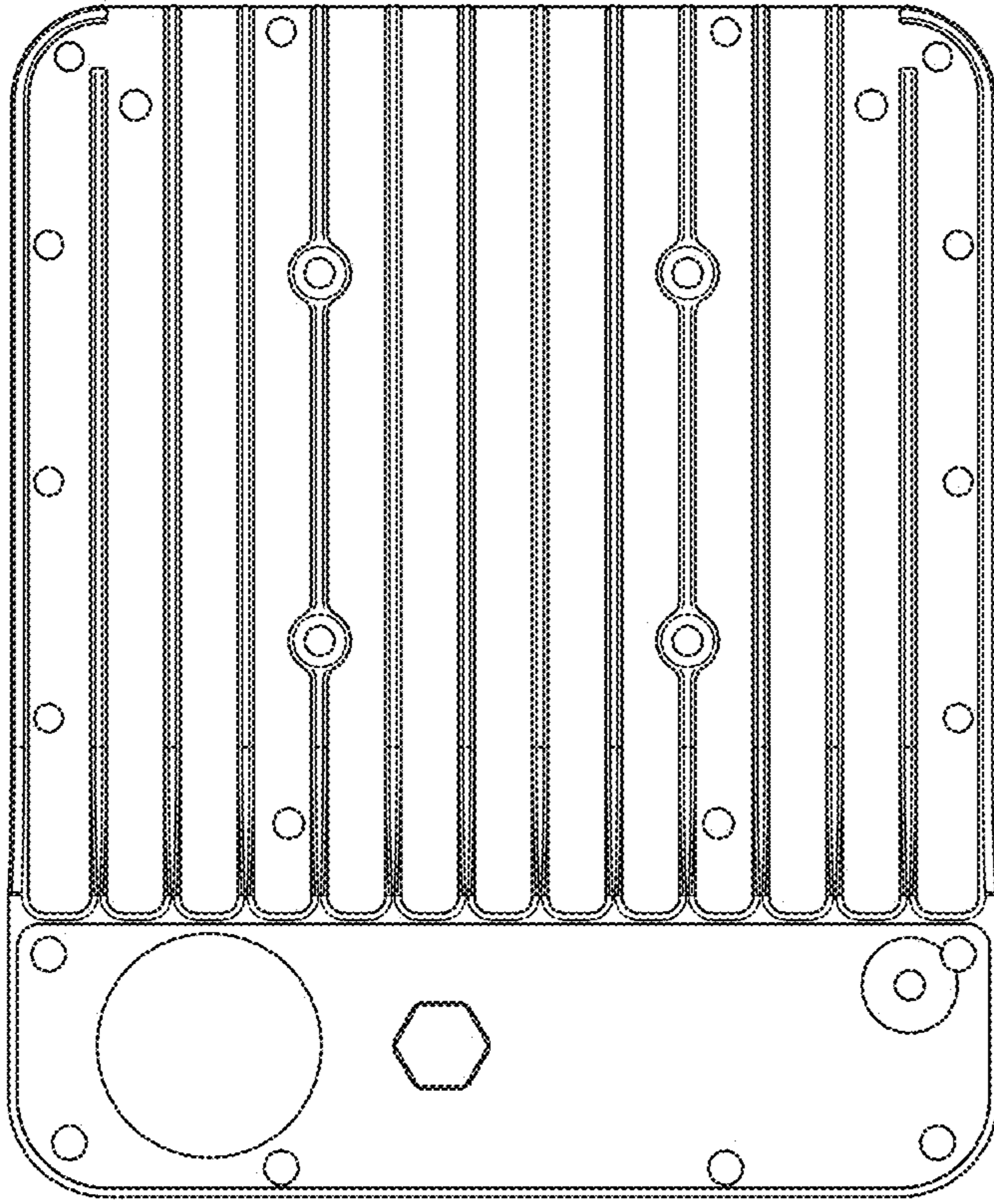


FIG. 56

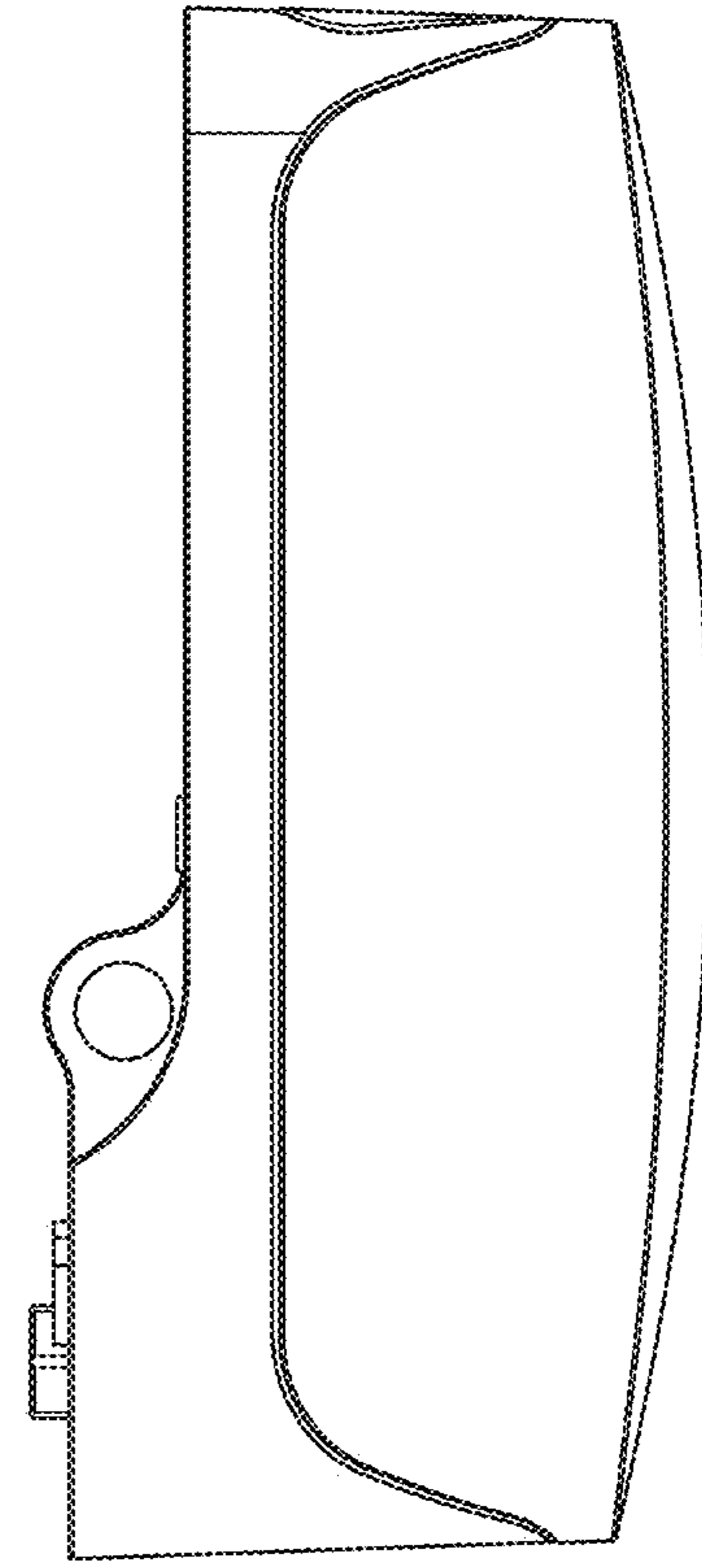


FIG. 57

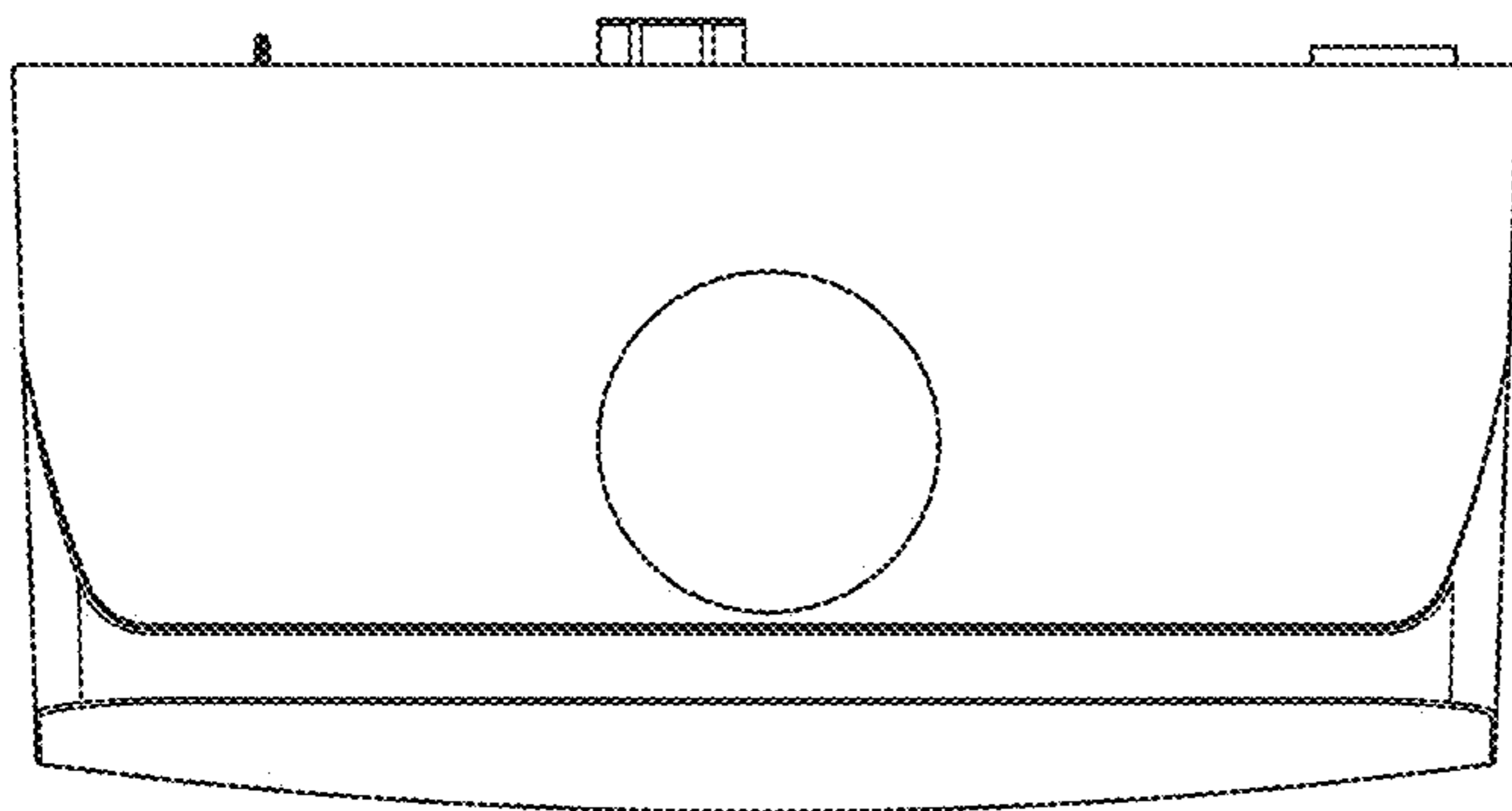


FIG. 58

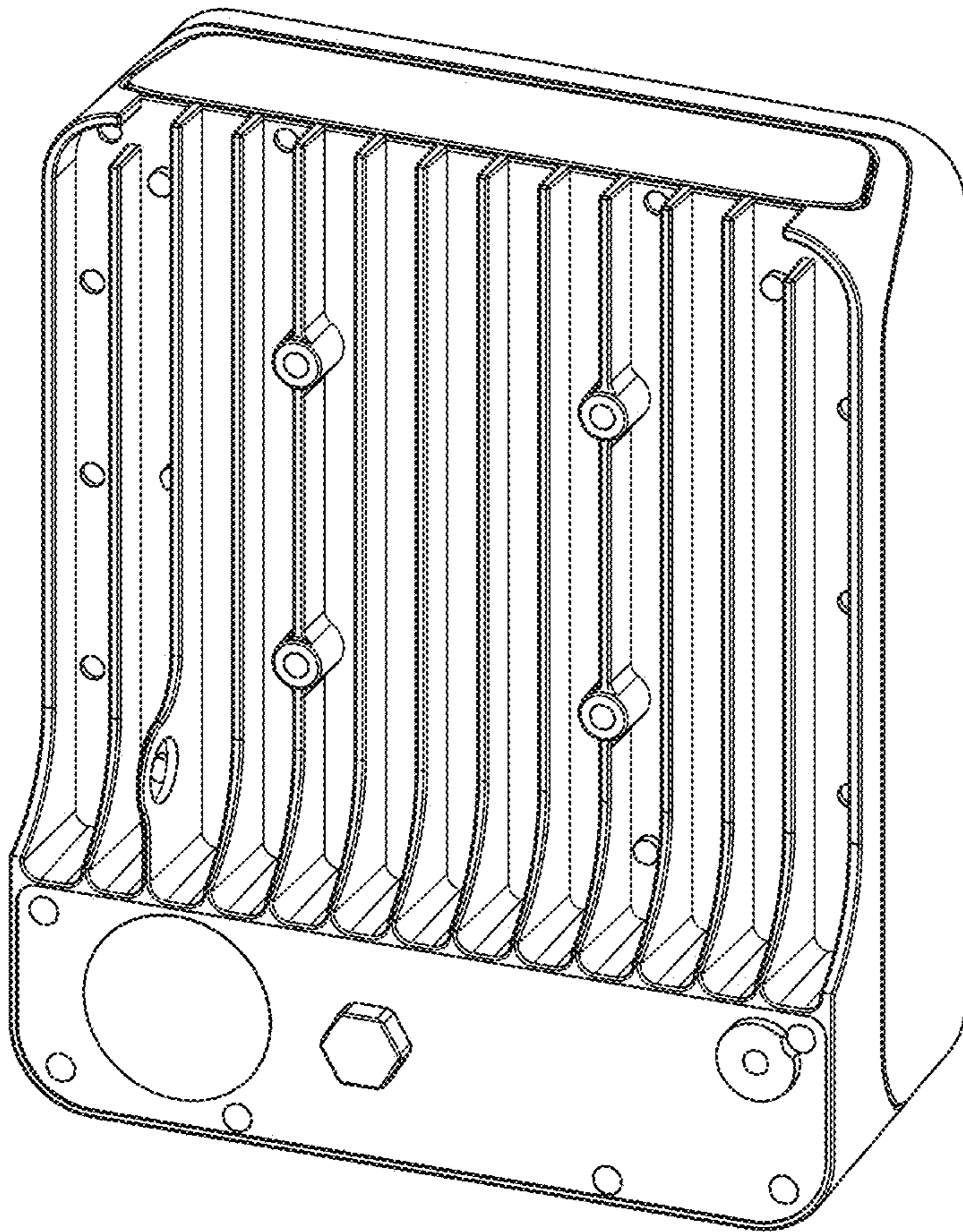


FIG. 59

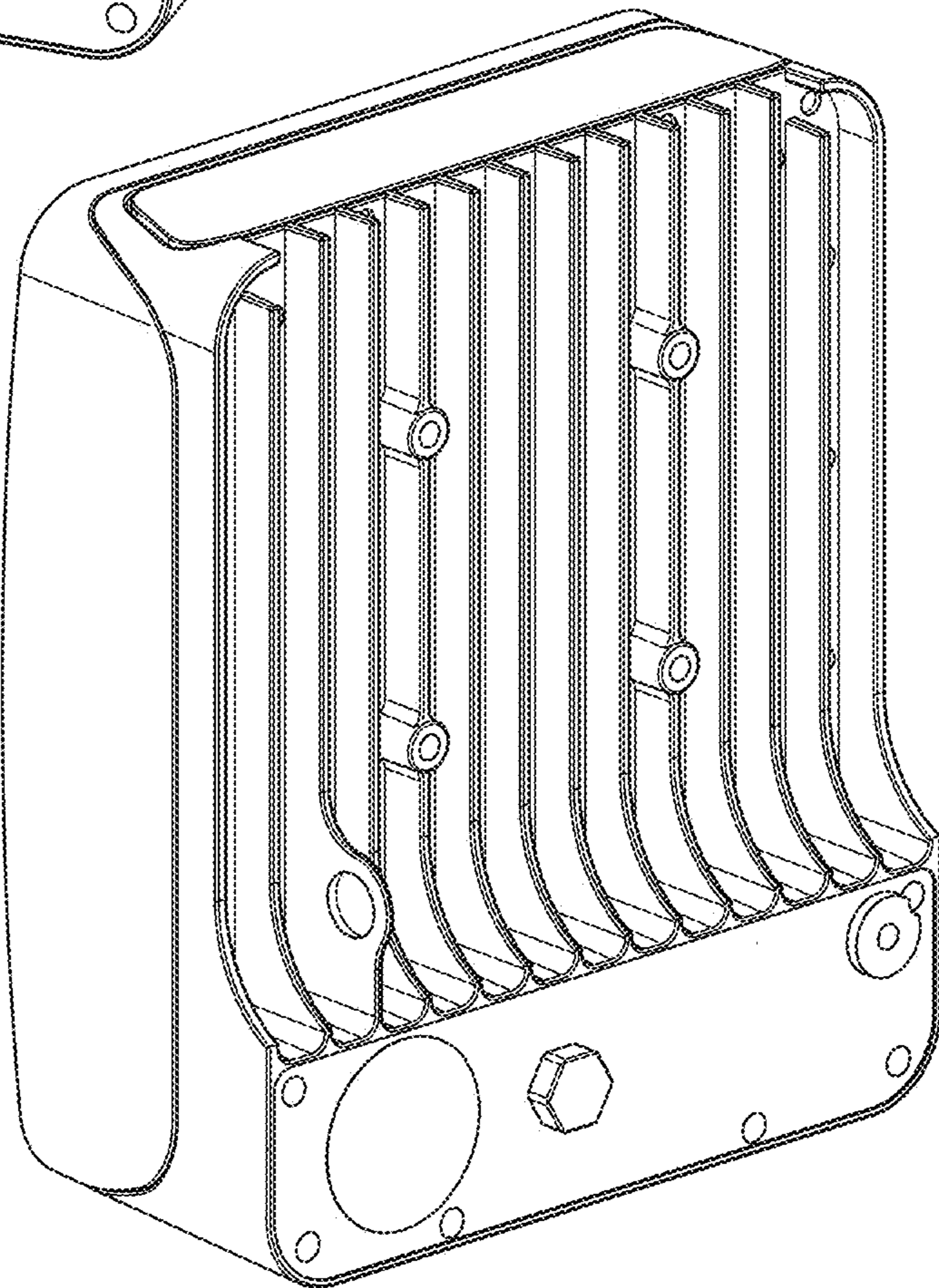


FIG. 60

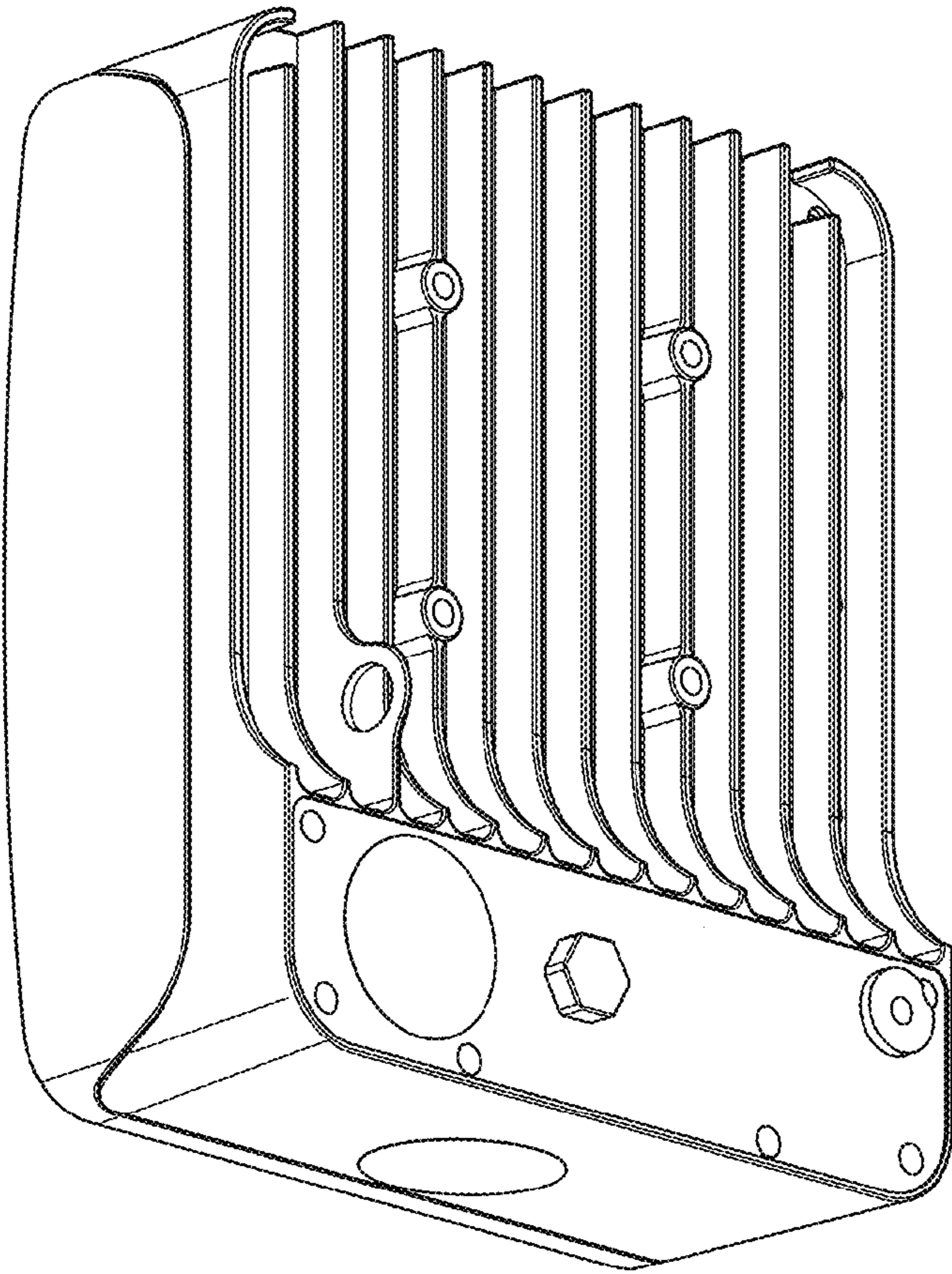


FIG. 61

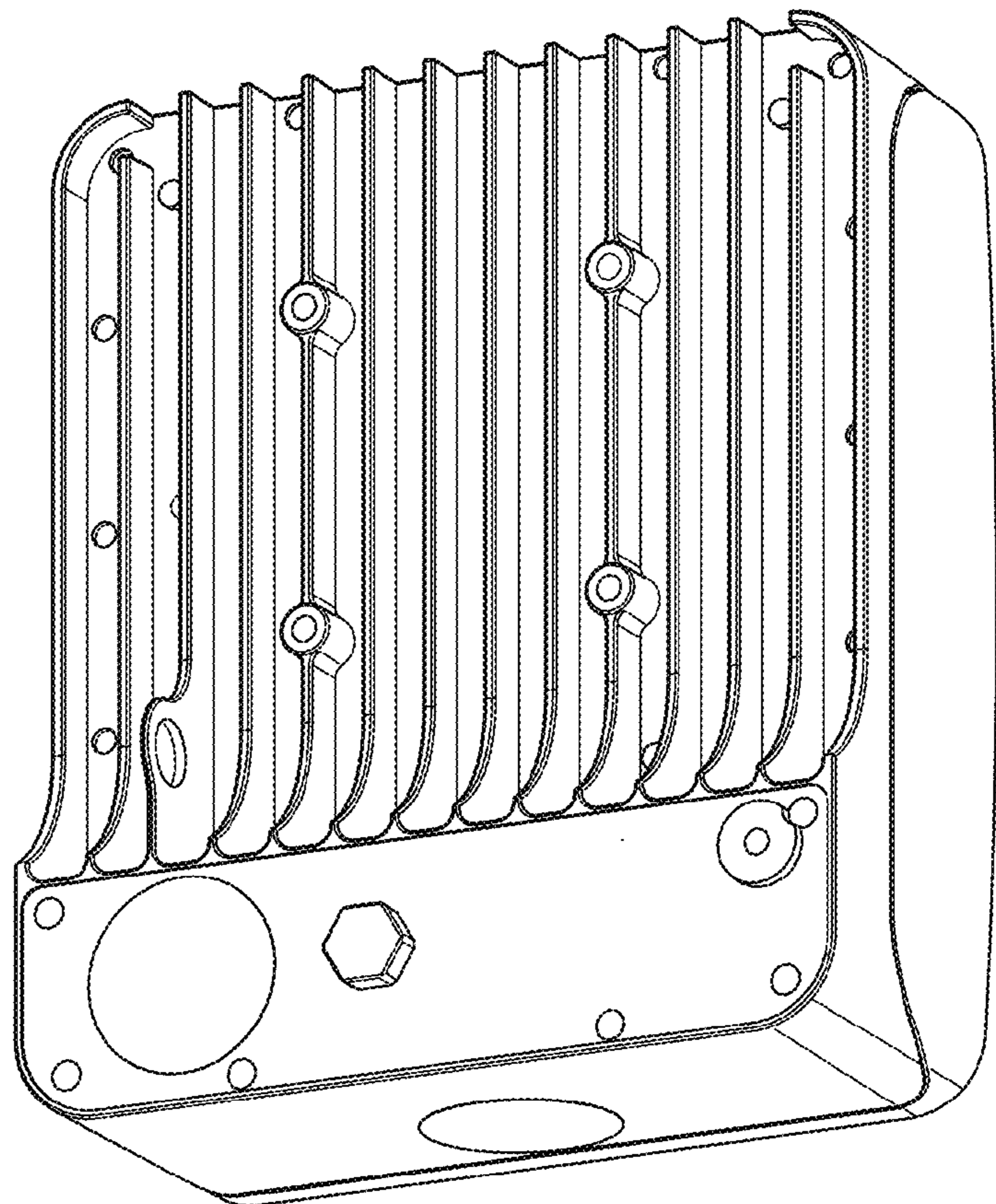


FIG. 62