



US00D882538S

(12) **United States Design Patent**  
**MacDonald et al.**

(10) **Patent No.:** **US D882,538 S**  
(45) **Date of Patent:** **\*\* Apr. 28, 2020**

- (54) **CIRCUIT CUBE**
- (71) Applicant: **Tenka Inc.**, Willits, CA (US)
- (72) Inventors: **Nathaniel W. MacDonald**, Mill Valley, CA (US); **John F Schuster**, San Francisco, CA (US)
- (73) Assignee: **Tenka Inc.**, Willits, CA (US)
- (\*\*) Term: **15 Years**
- (21) Appl. No.: **29/702,955**
- (22) Filed: **Aug. 22, 2019**

- 3,225,460 A \* 12/1965 Randell ..... A63F 9/24  
434/236
- 3,346,775 A \* 10/1967 Christiansen ..... H05K 1/0286  
361/738
- 3,553,883 A \* 1/1971 Fischer ..... A63H 33/042  
446/91
- 3,696,548 A 10/1972 Teller
- D292,698 S 11/1987 Devita et al.
- D359,476 S 6/1995 Sakashita et al.
- D396,449 S 7/1998 Taylor
- D397,093 S 8/1998 Kim
- 5,908,328 A 6/1999 Chen
- D428,860 S 8/2000 Siperek
- D429,704 S 8/2000 Kang
- D430,856 S 9/2000 Wilkerson
- D442,567 S 5/2001 Kang
- D465,772 S 11/2002 Poulter et al.
- D466,093 S 11/2002 Ebihara et al.
- D471,167 S 3/2003 Ebihara et al.

**Related U.S. Application Data**

(62) Division of application No. 29/609,479, filed on Jun. 30, 2017, now Pat. No. Des. 864,131.

(51) **LOC (12) Cl.** ..... **13-03**

(52) **U.S. Cl.**  
USPC ..... **D13/182**

(58) **Field of Classification Search**  
USPC ..... D13/182; 174/68.1, 250, 253, 255, 256;  
318/567, 568.1; 361/600, 601, 718, 719,  
361/720, 728, 736, 748, 751, 760, 761,  
361/807; 439/55, 65, 68, 76.1, 93, 95  
CPC ..... H05K 3/00; H05K 3/30; H05K 3/301;  
H05K 3/303; H05K 3/34; H05K 3/3405;  
H05K 3/341; H05K 3/36; H05K 3/361;  
H05K 3/363; H05K 3/40; H05K 7/14;  
H05K 7/1422; H05K 7/00; H05K 1/18;  
H05K 1/02; H05K 1/181; H05K 1/182;  
H05K 1/183; H05K 1/184; H05K 1/189;  
H05K 1/00

See application file for complete search history.

(56) **References Cited**

**U.S. PATENT DOCUMENTS**

- 2,896,033 A 7/1959 Hartz
- 3,072,734 A 1/1963 Fox et al.

(Continued)

*Primary Examiner* — Elizabeth J Oswecki

(74) *Attorney, Agent, or Firm* — TraskBritt

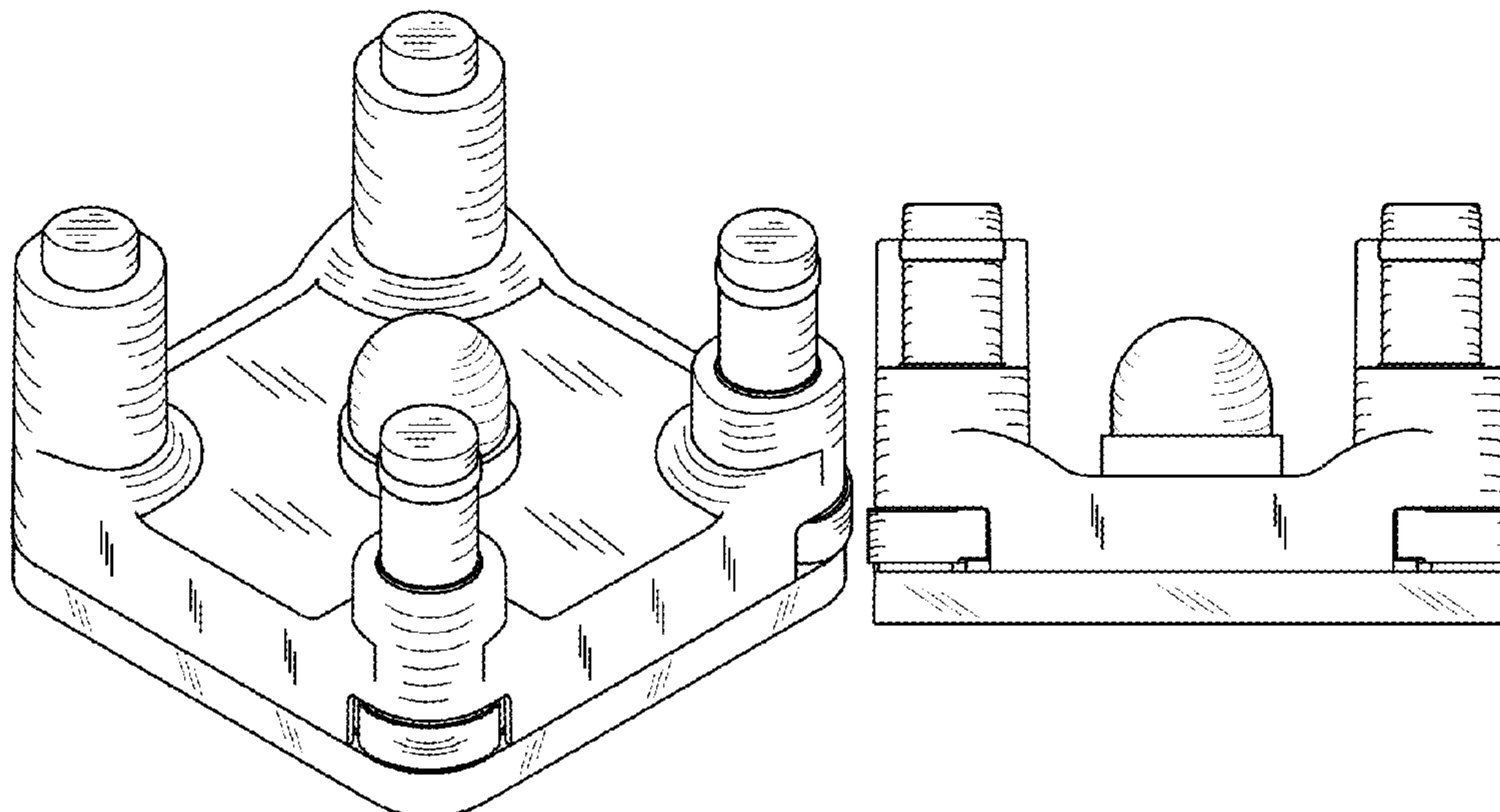
(57) **CLAIM**

The ornamental design for a circuit cube, as shown and described.

**DESCRIPTION**

FIG. 1 is a top perspective view of a circuit cube, showing our new design;  
 FIG. 2 is a top view thereof;  
 FIG. 3 is a bottom view thereof;  
 FIG. 4 is a front view thereof;  
 FIG. 5 is a rear view thereof;  
 FIG. 6 is a left view thereof; and,  
 FIG. 7 is a right view thereof.  
 The broken lines shown in the drawings represent portions of the circuit cube that form no part of the claimed design.

**1 Claim, 3 Drawing Sheets**



(56)

References Cited

U.S. PATENT DOCUMENTS

6,814,626 B2 \* 11/2004 Wen-Yao ..... H01R 13/7036  
439/515  
D552,048 S 10/2007 He  
D556,158 S 11/2007 Kong  
7,611,357 B2 11/2009 Han et al.  
D605,613 S 12/2009 Carter et al.  
D639,756 S 6/2011 Greene, Jr.  
D642,546 S 8/2011 Greene, Jr.  
D647,072 S 10/2011 Bentley  
D676,004 S 2/2013 Lyubachev  
D691,101 S 10/2013 Ishizawa et al.  
8,651,913 B1 2/2014 Lin  
8,690,631 B2 4/2014 Nag  
8,764,507 B2 \* 7/2014 Lin ..... A63H 33/042  
446/91  
D725,054 S \* 3/2015 Mertler ..... D13/182  
9,017,132 B2 4/2015 Lin  
D730,849 S \* 6/2015 Aromin ..... D13/182  
9,128,661 B2 \* 9/2015 Zilber ..... A63F 13/80  
9,209,560 B2 12/2015 Wei  
D753,073 S 4/2016 Sponring  
9,457,287 B1 10/2016 Lin et al.  
D794,586 S 8/2017 Takahashi et al.  
9,755,356 B1 9/2017 Kim et al.

D799,438 S 10/2017 Takahashi et al.  
D804,437 S 12/2017 Kantor et al.  
D806,181 S \* 12/2017 Johannsen ..... D21/500  
9,914,065 B2 3/2018 Almog et al.  
D824,344 S 7/2018 Podubni  
D824,345 S 7/2018 Podubni  
D826,186 S 8/2018 Podubni  
D826,187 S 8/2018 Podubni  
D826,188 S 8/2018 Podubni  
D826,189 S 8/2018 Podubni  
D826,190 S 8/2018 Podubni  
D826,191 S 8/2018 Podubni  
D826,192 S 8/2018 Podubni  
D826,193 S 8/2018 Podubni  
D826,194 S 8/2018 Podubni  
D826,195 S 8/2018 Podubni  
D826,196 S 8/2018 Podubni  
10,335,702 B2 \* 7/2019 Almog ..... A63H 33/042  
10,411,424 B2 \* 9/2019 Lin ..... A63H 33/08  
D864,131 S \* 10/2019 MacDonald ..... D13/182  
2008/0166926 A1 \* 7/2008 Seymour ..... E04B 2/06  
439/701  
2009/0268390 A1 \* 10/2009 King ..... G06F 13/409  
361/679.33  
2011/0143629 A1 \* 6/2011 Seymour ..... A63H 33/04  
446/91

\* cited by examiner

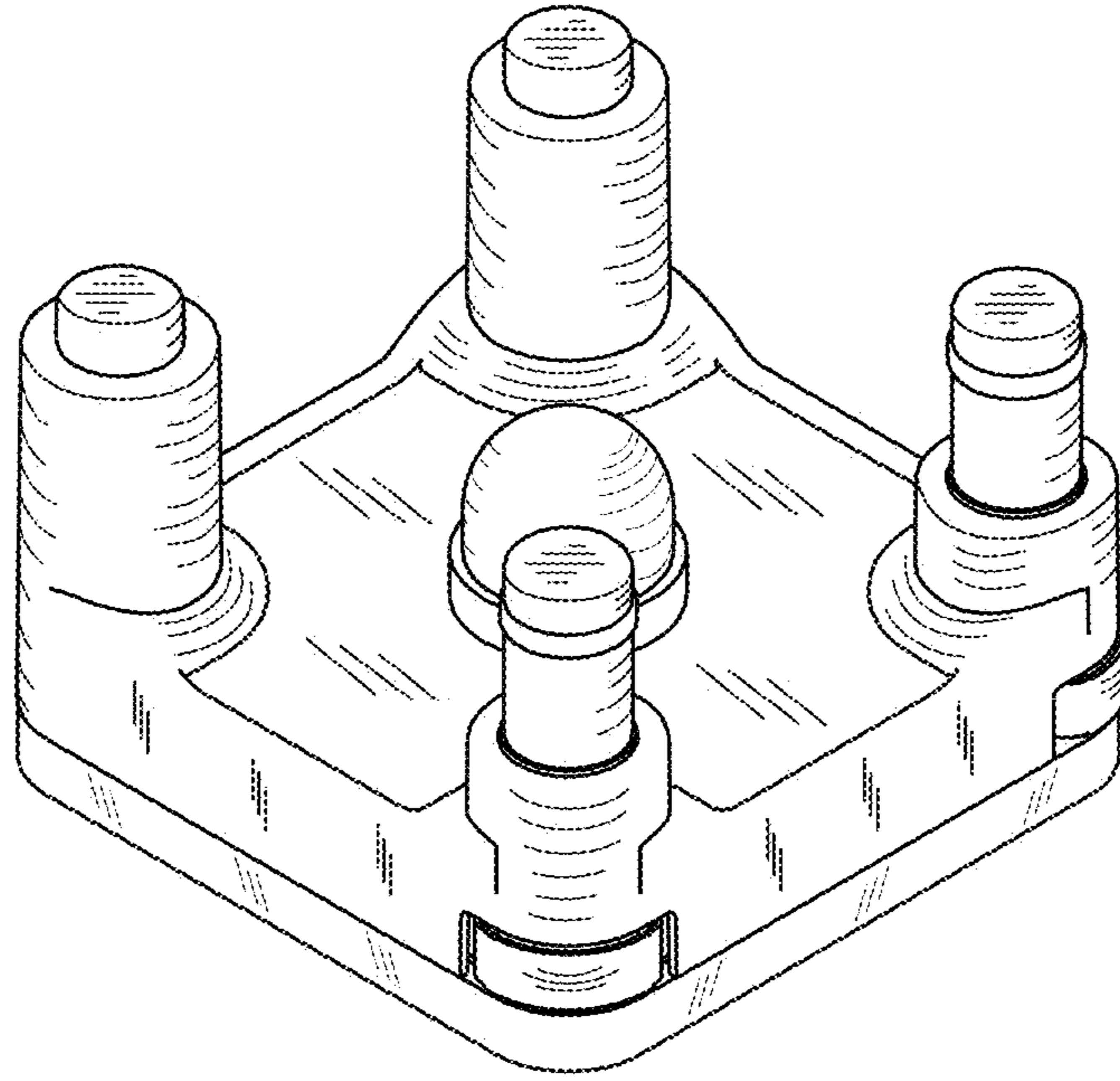


FIG. 1

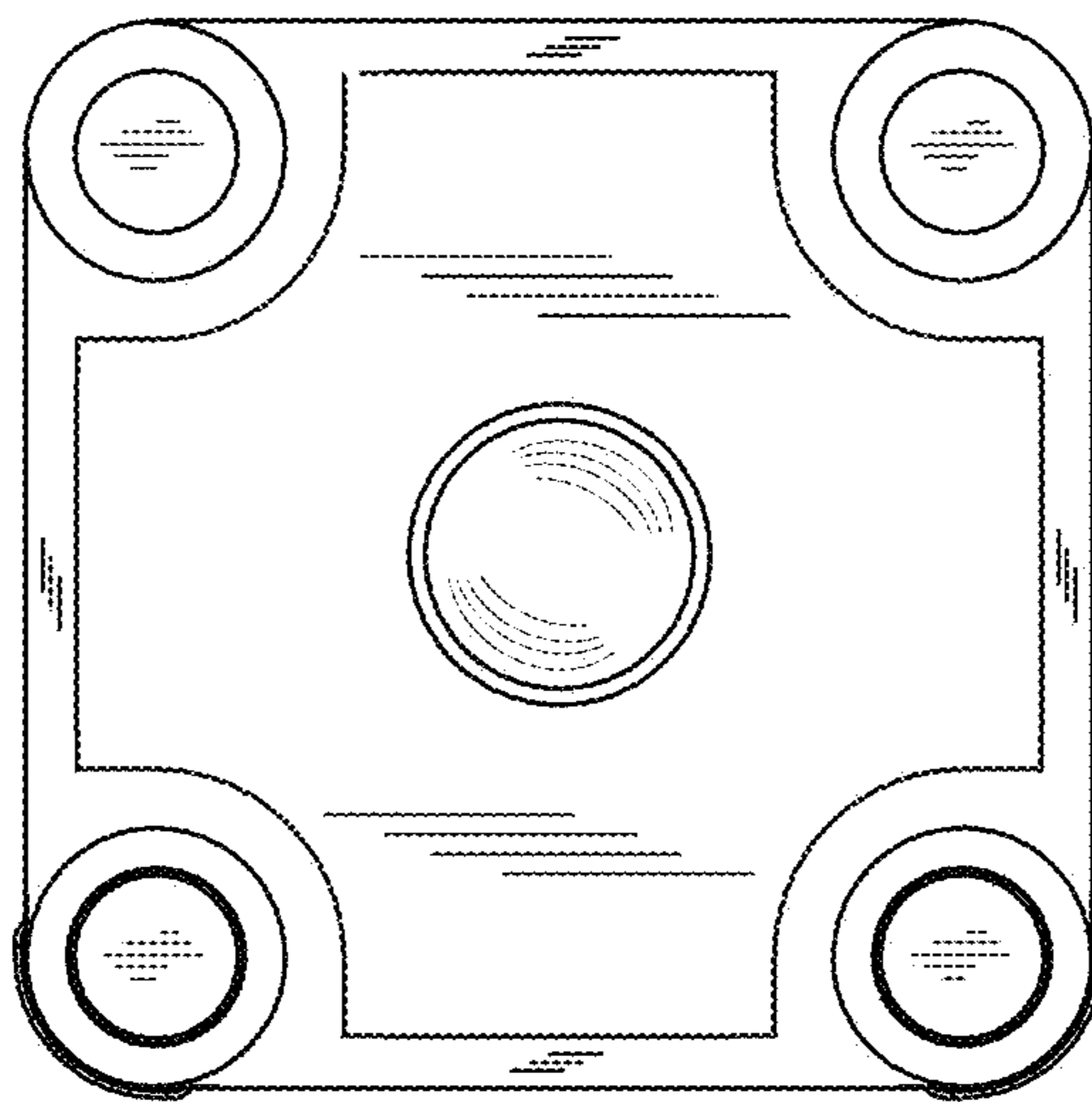


FIG. 2

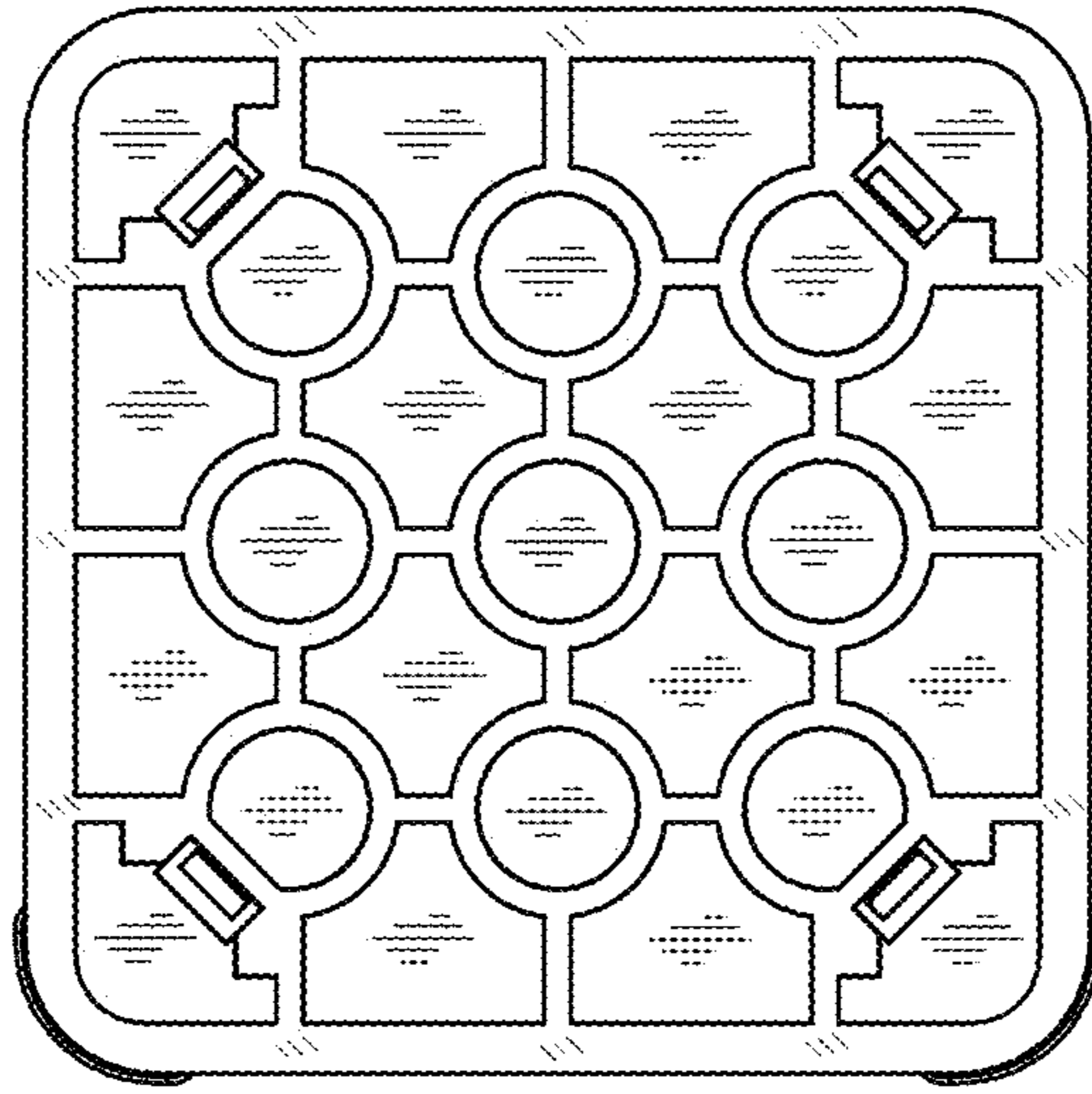


FIG. 3

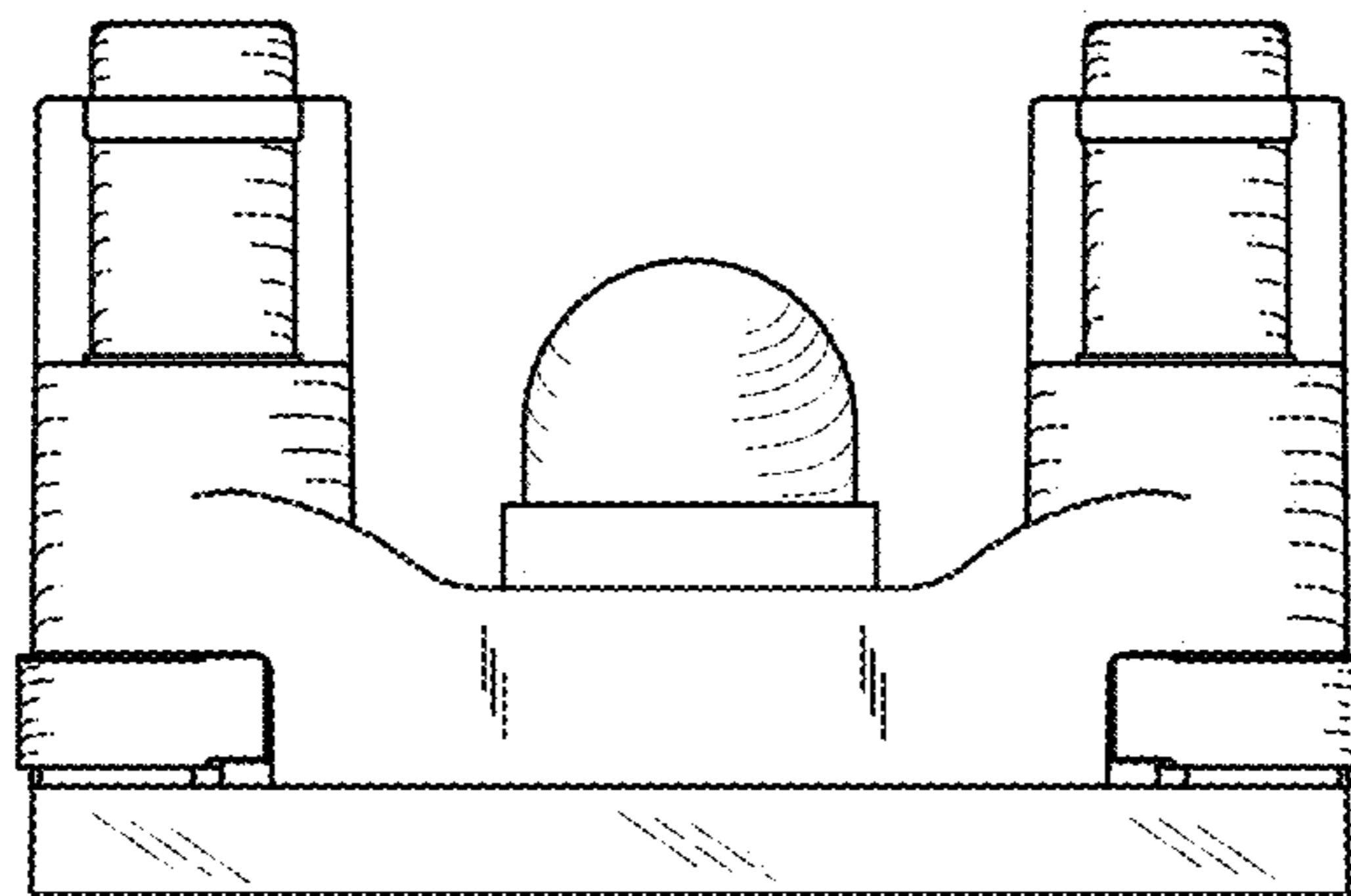


FIG. 4



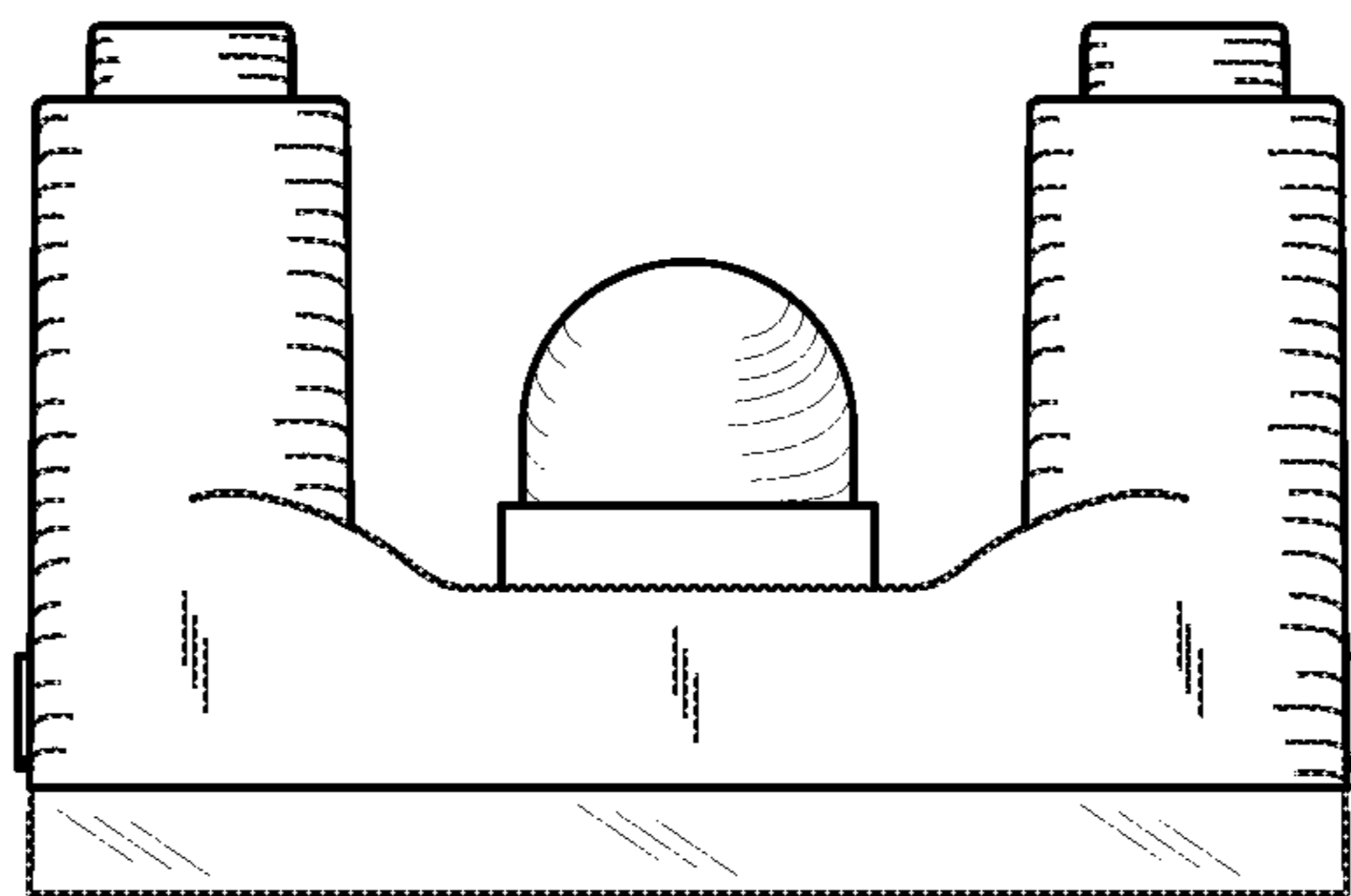


FIG. 5

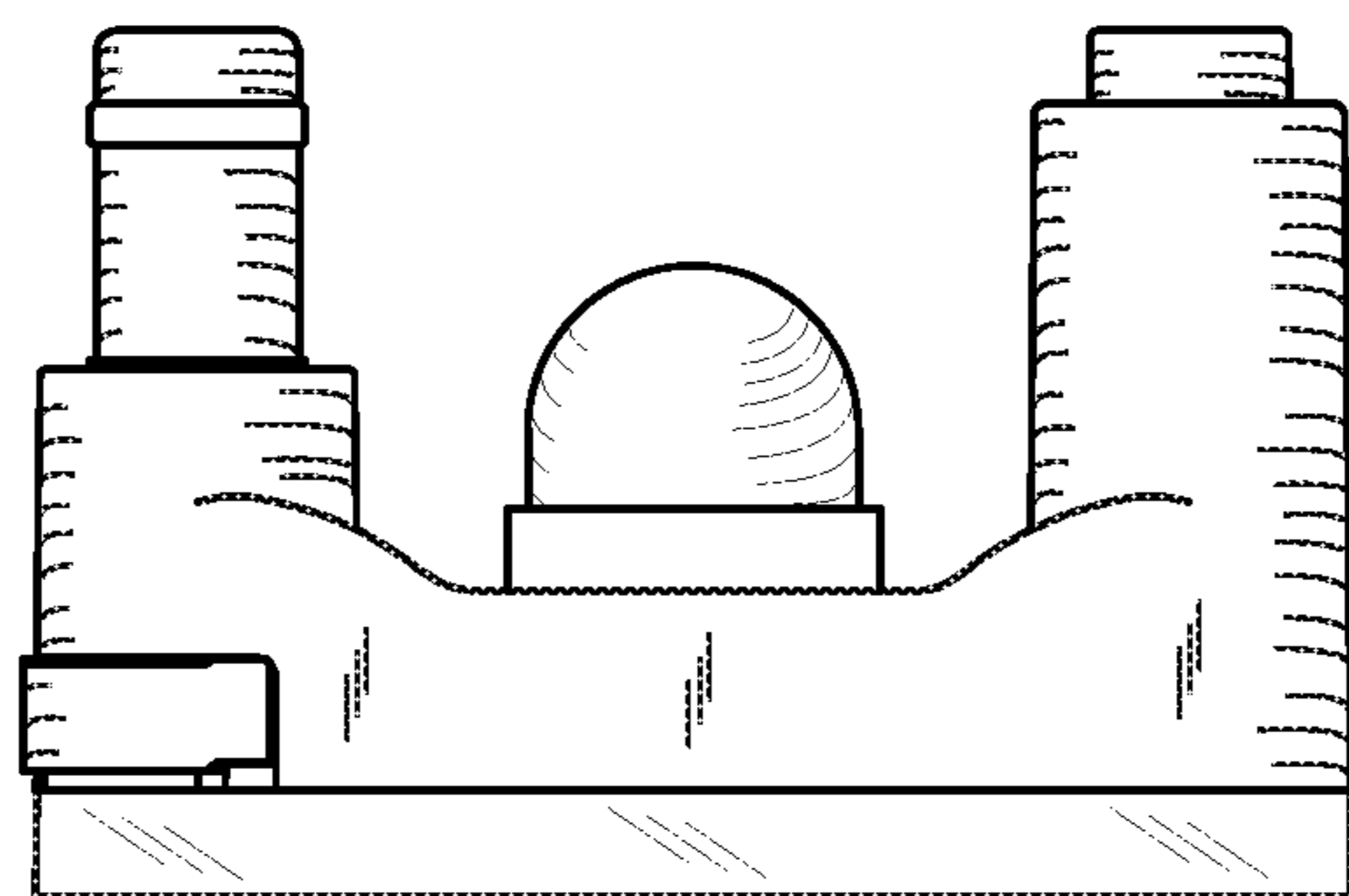


FIG. 6

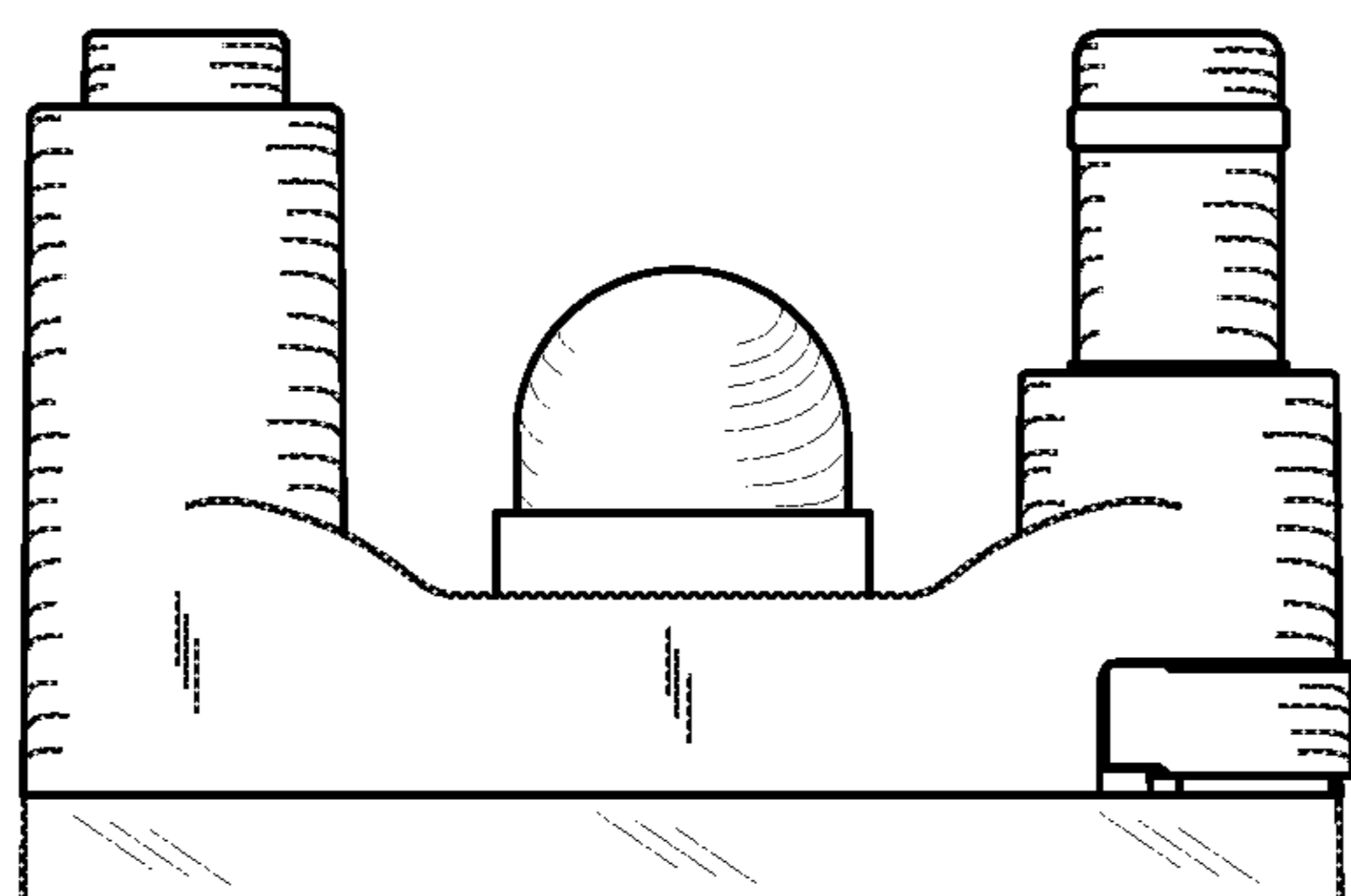


FIG. 7

UNITED STATES PATENT AND TRADEMARK OFFICE  
**CERTIFICATE OF CORRECTION**

PATENT NO. : D882,538 S  
APPLICATION NO. : 29/702955  
DATED : April 28, 2020  
INVENTOR(S) : Nathaniel W. MacDonald and John F. Schuster

Page 1 of 1

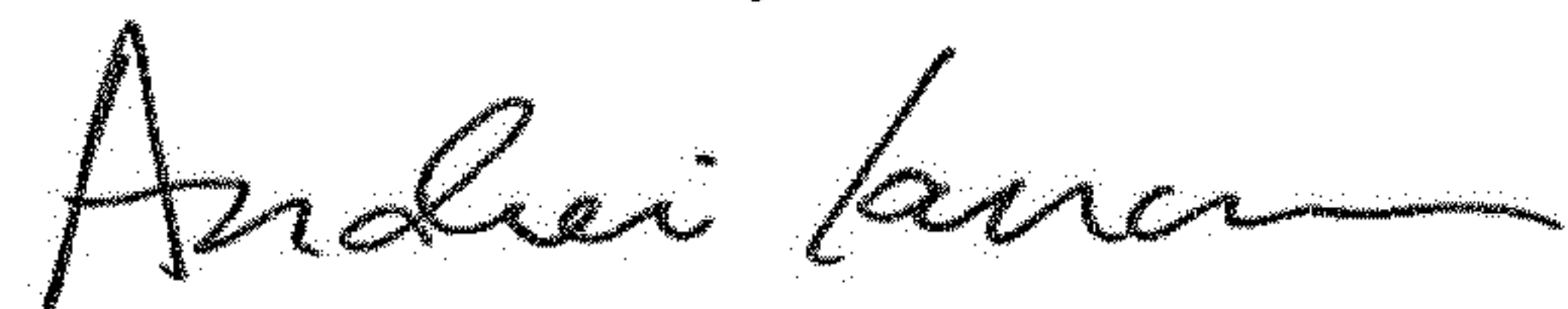
It is certified that error appears in the above-identified patent and that said Letters Patent is hereby corrected as shown below:

On the Title Page

In ITEM (72) change "John F Schuster" to --John F. Schuster--

In DESCRIPTION Line 8 change "thereof; and," to --thereof; and--

Signed and Sealed this  
Sixteenth Day of June, 2020



Andrei Iancu  
*Director of the United States Patent and Trademark Office*