



US00D882536S

(12) **United States Design Patent** (10) **Patent No.:** **US D882,536 S**
Shono (45) **Date of Patent:** **** Apr. 28, 2020**

(54) **PLASMA SOURCE LINER**
(71) Applicant: **Applied Materials, Inc.**, Santa Clara, CA (US)
(72) Inventor: **Eric Kihara Shono**, San Mateo, CA (US)
(73) Assignee: **Applied Materials, Inc.**, Santa Clara, CA (US)
(**) Term: **15 Years**
(21) Appl. No.: **29/602,230**
(22) Filed: **Apr. 28, 2017**
(51) **LOC (12) Cl.** **13-03**
(52) **U.S. Cl.**
USPC **D13/182**
(58) **Field of Classification Search**
USPC D24/146, 147, 148; D13/158, 159, 160, D13/161, 162, 163, 164, 165, 166, 167, D13/168, 169, 170, 171, 172, 173, 174, D13/175, 176, 177, 178, 179, 180, 181, D13/182; D7/550.1, 587; D15/138; 118/715, 728, 500, 501, 428, 722, 504, 118/505, 506, 719, 733, 309; D10/104.1, D10/108; D11/143, 144, 152
CPC H01J 2237/0825; H01J 37/321; H01J 37/32229; H01J 37/32238; H01J 37/32412; H01J 37/32449; H01J 37/32495; H01J 37/32522; H01J 37/32633; Y10S 438/977; C23C 16/00; C23C 16/4401; C23C 16/0245; C23C 14/564; C23F 1/04; C23F 1/38; B65B 1/04; B65B 3/04
See application file for complete search history.

D804,436 S * 12/2017 Tauchi D13/182
D818,447 S * 5/2018 Shono D13/182
D818,968 S * 5/2018 Barth D13/158
D837,754 S * 1/2019 Shono D13/182
D838,681 S * 1/2019 Shono D13/182
D840,365 S * 2/2019 Ichino D13/182
D842,259 S * 3/2019 Shono D13/182
2004/0166612 A1 * 8/2004 Maydan H01J 37/321
438/149
2018/0347045 A1 * 12/2018 Olsen C23C 16/45587

OTHER PUBLICATIONS

Search Report for Taiwan Design Application No. 106306308 dated Jun. 6, 2018.

* cited by examiner

Primary Examiner — Samantha Q Lawrence
(74) *Attorney, Agent, or Firm* — Patterson + Sheridan, LLP

(57) **CLAIM**

The ornamental design for a plasma source liner, as shown and described.

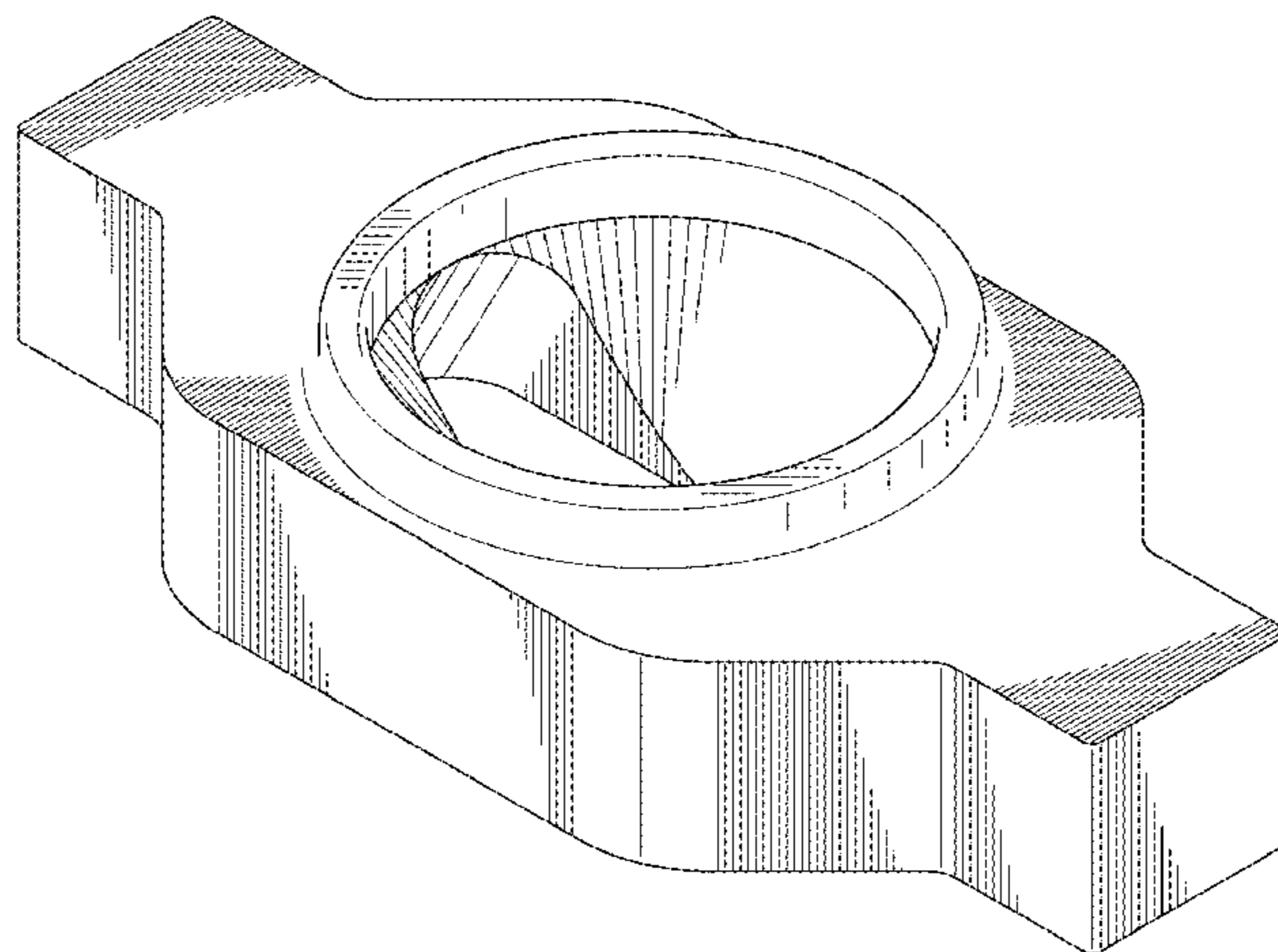
DESCRIPTION

FIG. 1 is an isometric top view of a plasma source liner.
FIG. 2 is an isometric bottom view thereof.
FIG. 3 is a top plan view thereof.
FIG. 4 is a bottom plan view thereof.
FIG. 5 is a side elevational view thereof, the other side elevational view being identical.
FIG. 6 is an end elevational view thereof, the other side elevational view being identical.
FIG. 7 is a cross-sectional view thereof taken along lines 7-7 of FIG. 3; and,
FIG. 8 is a cross-sectional view thereof taken along lines 8-8 of FIG. 5.
The oblique hatching shown in FIGS. 7 and 8 represents a refractory material.

1 Claim, 8 Drawing Sheets

(56) **References Cited**
U.S. PATENT DOCUMENTS

D799,439 S * 10/2017 Hayashiguchi D13/182
D802,790 S * 11/2017 Tauchi D24/232



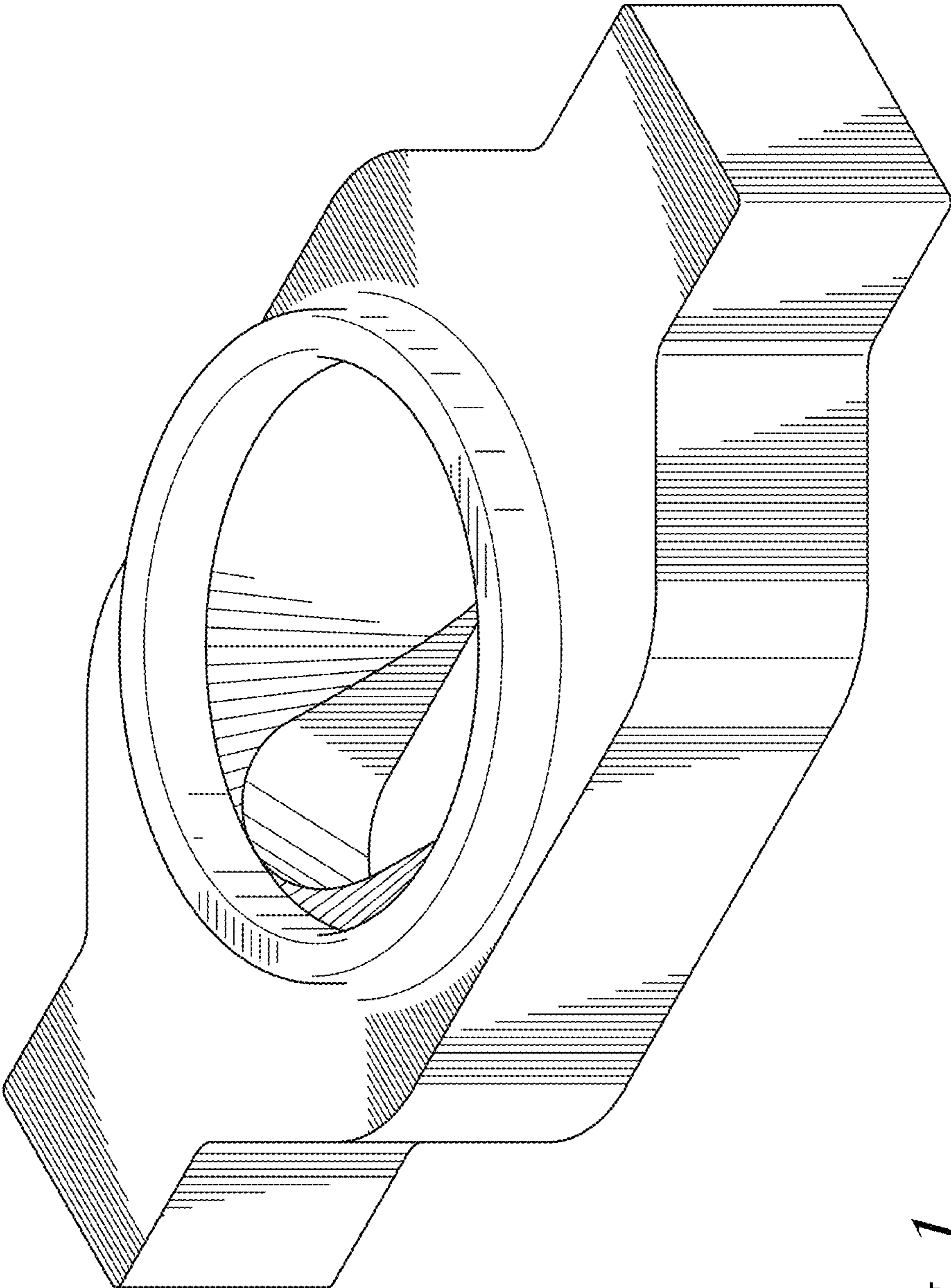


Fig. 1

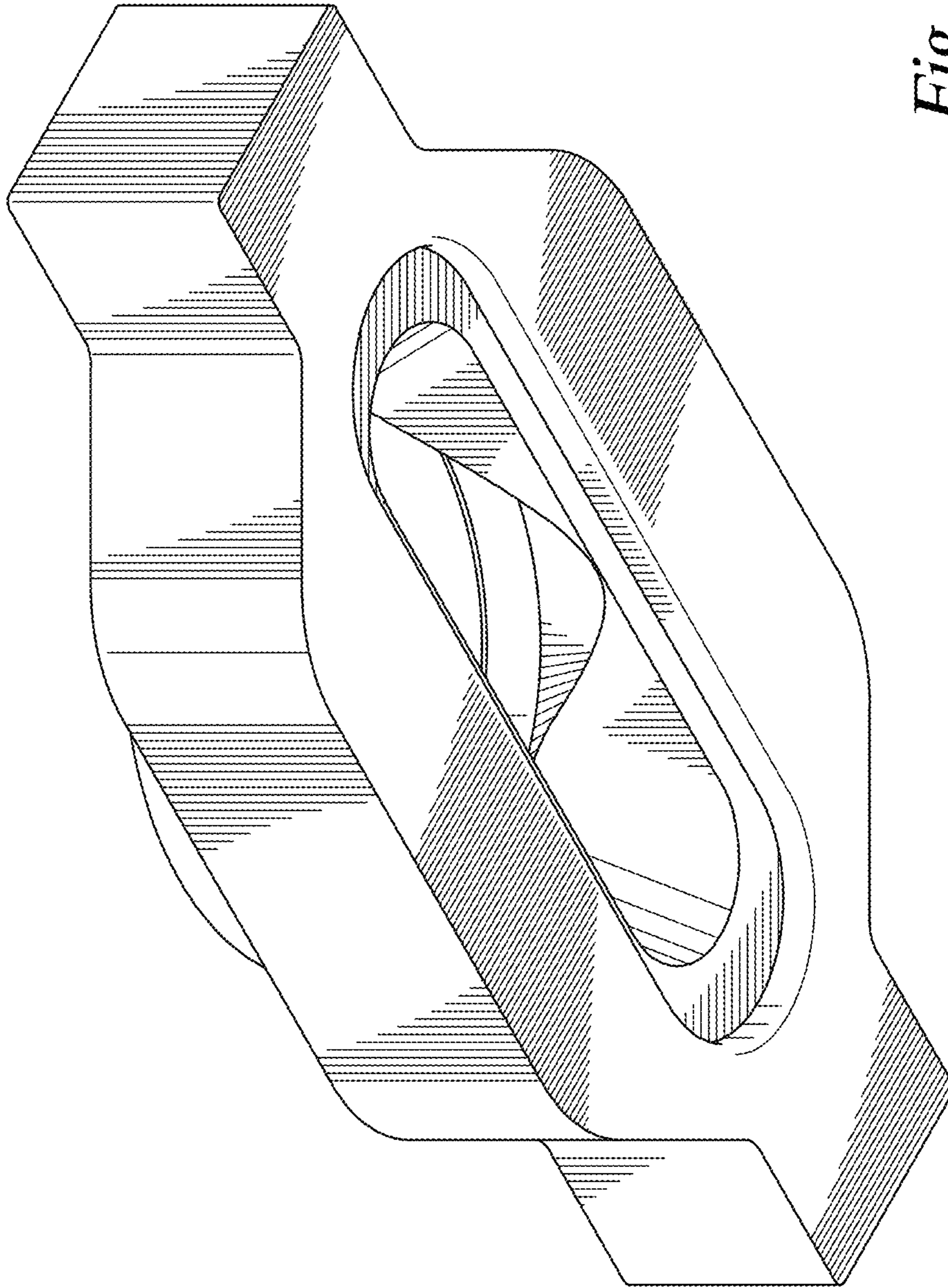


Fig. 2

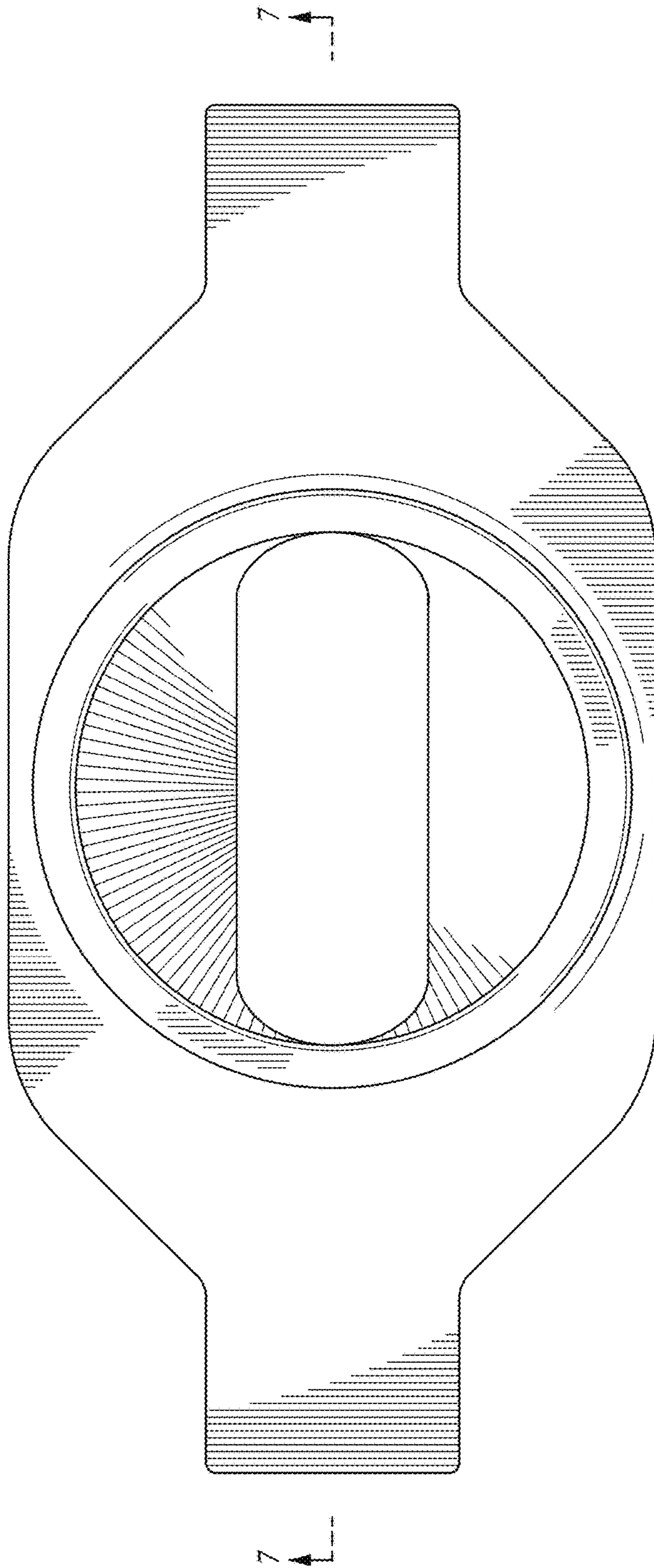


Fig. 3

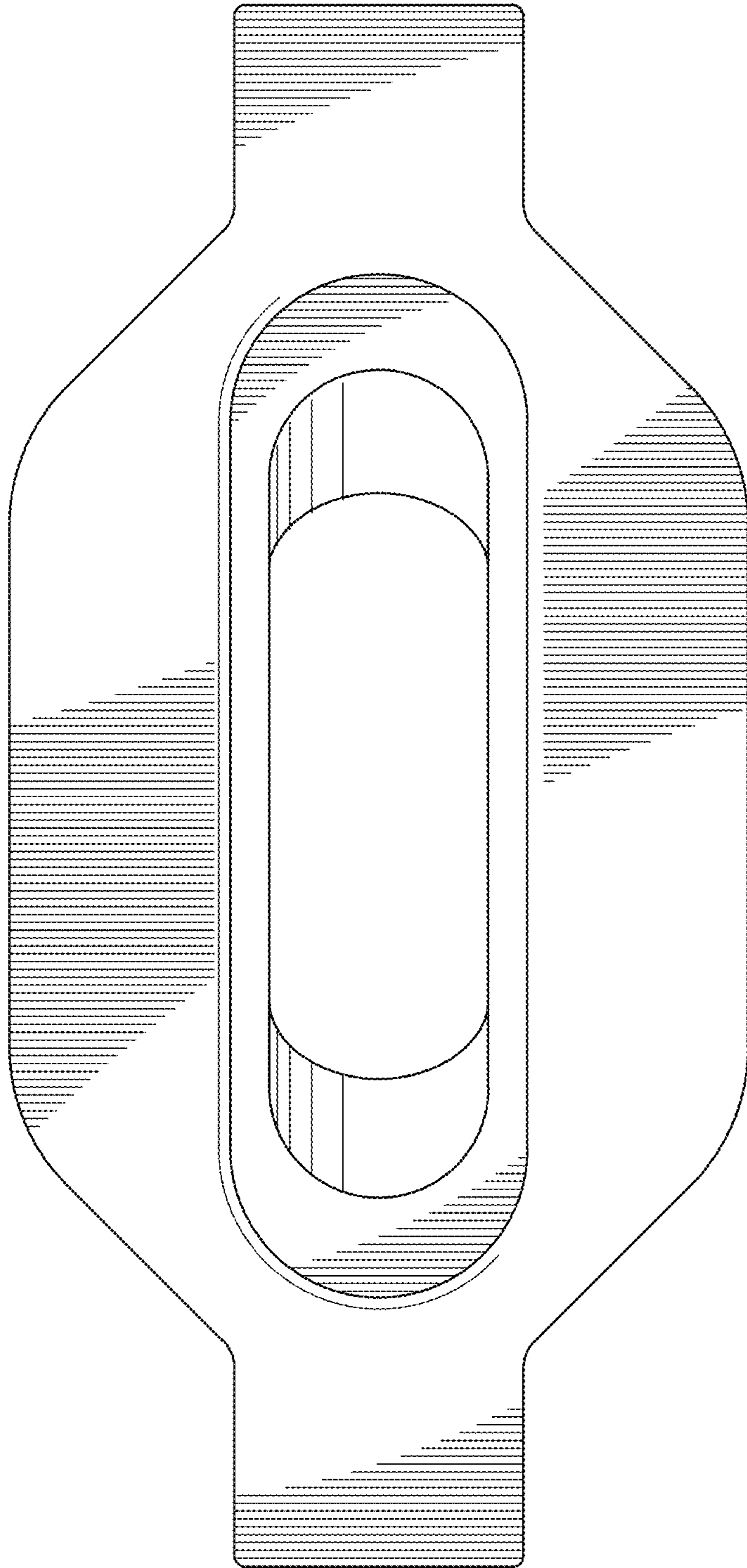


Fig. 4

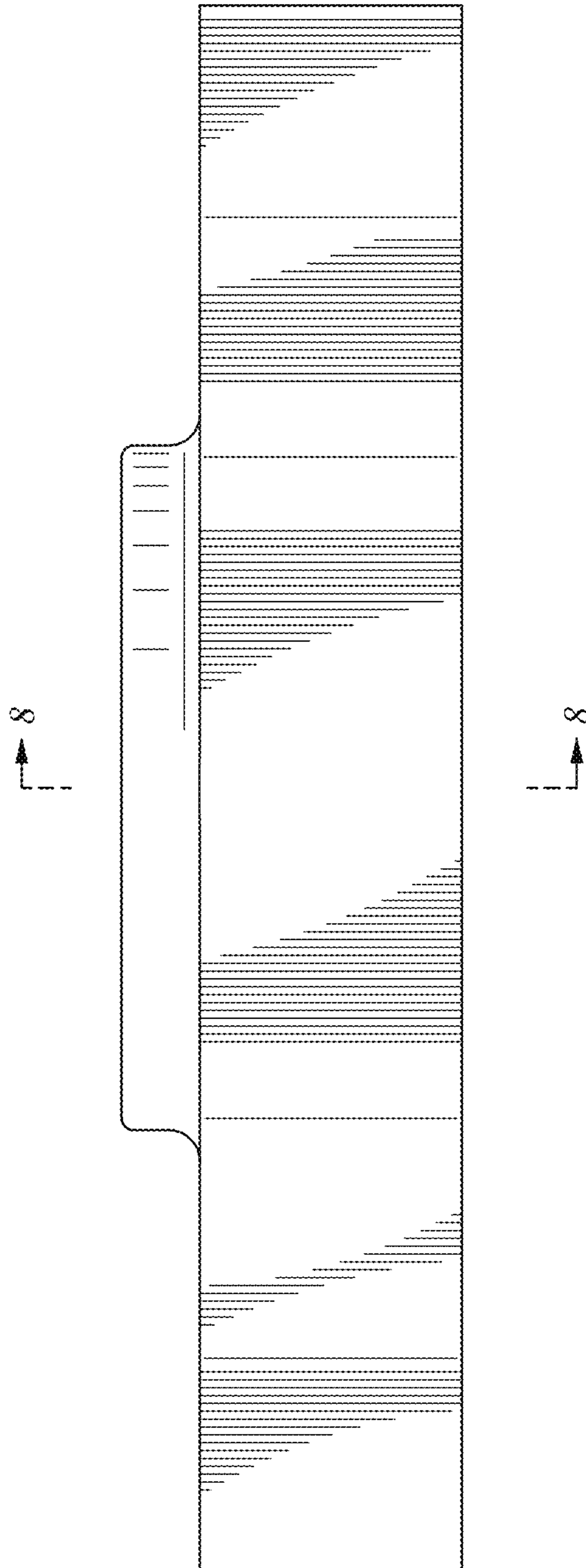


Fig. 5

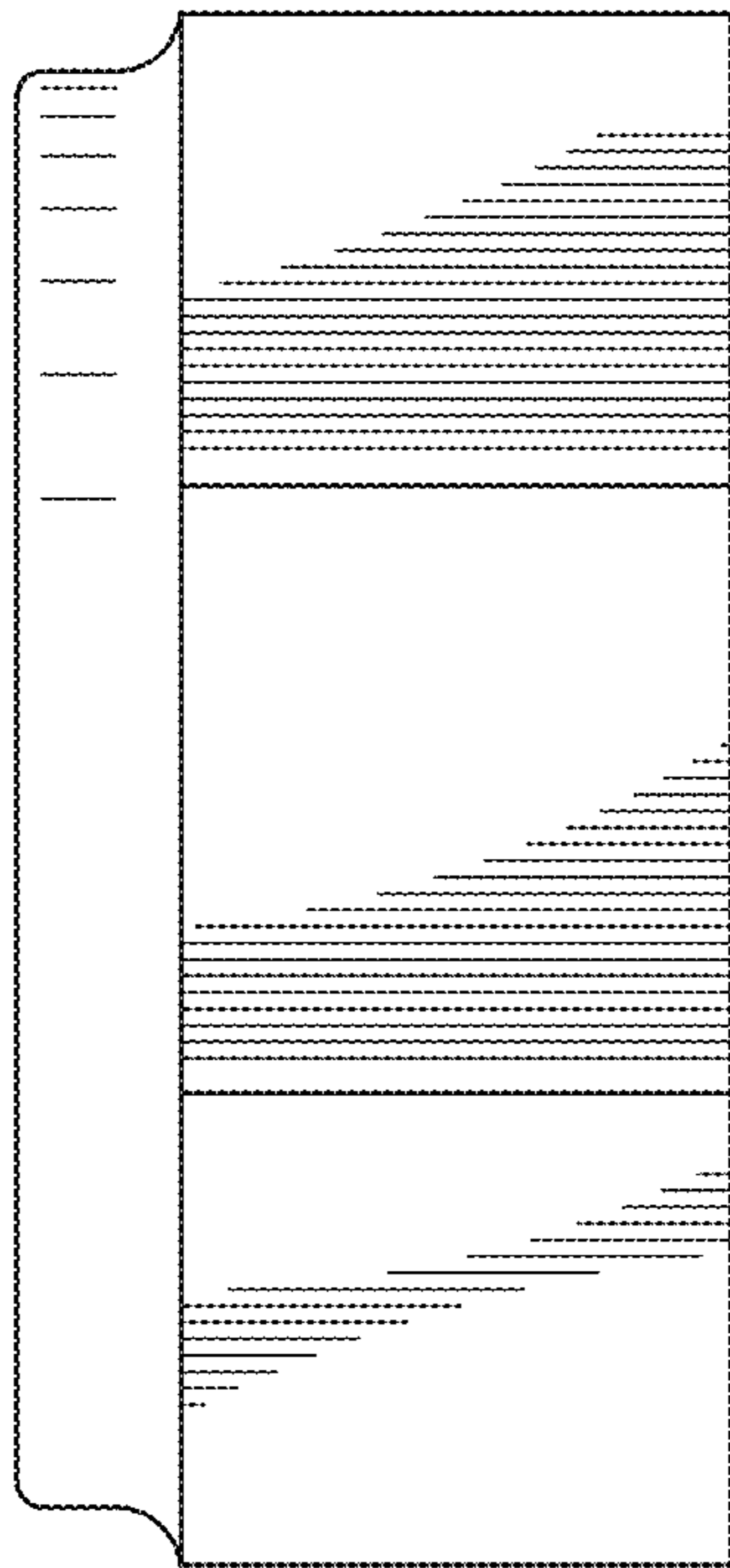


Fig. 6

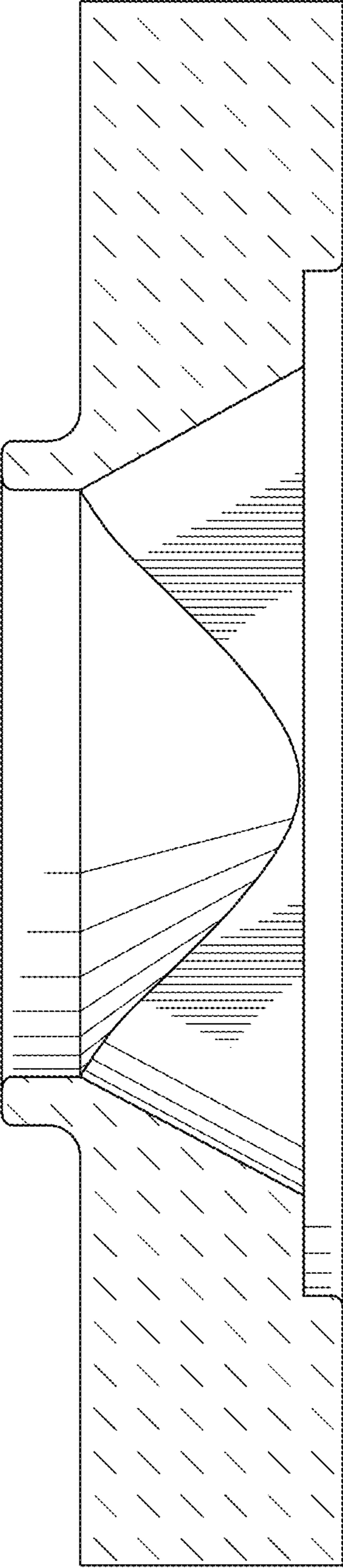


Fig. 7

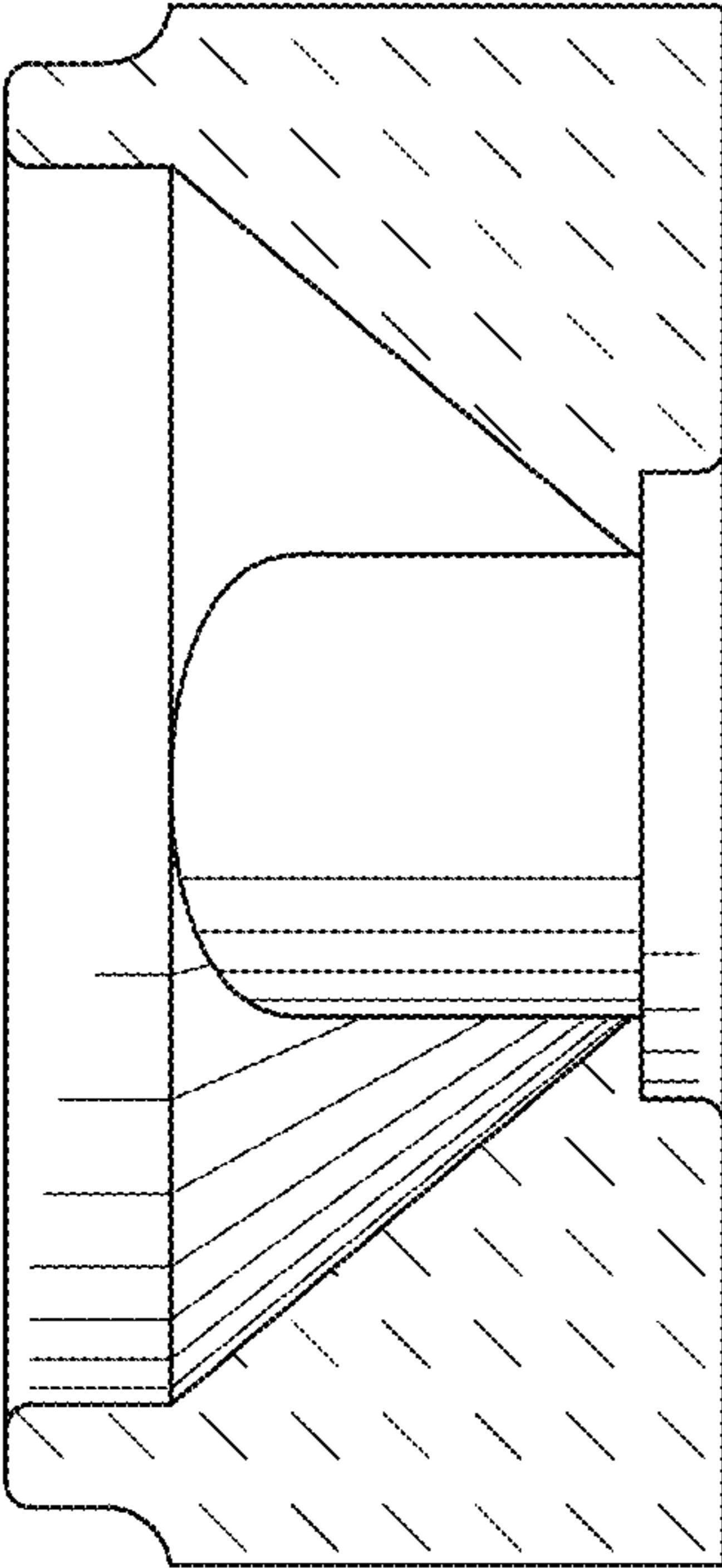


Fig. 8