



US00D882534S

(12) **United States Design Patent**  
**Fujino**

(10) **Patent No.:** **US D882,534 S**

(45) **Date of Patent:** **\*\* Apr. 28, 2020**

- (54) **PUSH BUTTON FOR SWITCH**
- (71) Applicant: **OMRON Corporation**, Kyoto-shi, Kyoto (JP)
- (72) Inventor: **Minoru Fujino**, Kyoto (JP)
- (73) Assignee: **OMRON Corporation**, Kyoto (JP)
- (\*\*) Term: **15 Years**
- (21) Appl. No.: **29/676,355**
- (22) Filed: **Jan. 10, 2019**

8,624,141 B2 *	1/2014	Schechtel	.....	H01H 13/83
				200/310
D725,050 S *	3/2015	Tsugawa	.....	D13/171
9,171,682 B2 *	10/2015	Sugihara	.....	H01H 9/0207
9,305,721 B2 *	4/2016	Izawa	.....	H01H 13/023
9,542,795 B2 *	1/2017	Okazaki	.....	G07F 17/3209
10,210,698 B2 *	2/2019	Sumi	.....	G07F 17/3209
10,312,032 B1 *	6/2019	Chu	.....	H01H 13/023
2013/0026017 A1 *	1/2013	Verd Martinez	.....	H01H 9/161
				200/307
2014/0139047 A1 *	5/2014	Haines	.....	H01H 9/56
				307/140
2016/0064163 A1 *	3/2016	Chu	.....	H01H 13/023
				200/314

(30) **Foreign Application Priority Data**

Jul. 11, 2018 (JP) ..... 2018-015318

(51) **LOC (12) Cl.** ..... **13-03**

(52) **U.S. Cl.**  
USPC ..... **D13/174**

(58) **Field of Classification Search**  
USPC ..... D13/162, 171, 174, 177; D7/405, 406  
CPC .. H01H 3/12; H01H 9/02; H01H 9/16; H01H 9/18; H01H 9/181; H01H 9/182; H01H 13/04; H01H 13/14; H01H 2009/187; G06F 3/0362

See application file for complete search history.

(56) **References Cited**

**U.S. PATENT DOCUMENTS**

4,968,860 A *	11/1990	Shinohara	.....	H01H 13/023
				200/314
5,201,408 A *	4/1993	Torma	.....	H02B 1/044
				200/292
7,804,037 B2 *	9/2010	Cove	.....	H01H 9/181
				200/314

\* cited by examiner

*Primary Examiner* — Selina Sikder

(74) *Attorney, Agent, or Firm* — Capitol City TechLaw

(57) **CLAIM**

The ornamental design for a push button for switch, as shown and described.

**DESCRIPTION**

FIG. 1 is a front, top, and right side perspective view of a push button for switch showing my new design;  
 FIG. 2 is a front view thereof, a rear view being a mirror image thereof;  
 FIG. 3 is a left side view thereof, a right side view being a mirror image thereof;  
 FIG. 4 is a top view thereof; and,  
 FIG. 5 is a bottom view thereof.  
 The dashed broken lines in the figures show portions of the push button for switch that form no part of the claimed design.

**1 Claim, 5 Drawing Sheets**

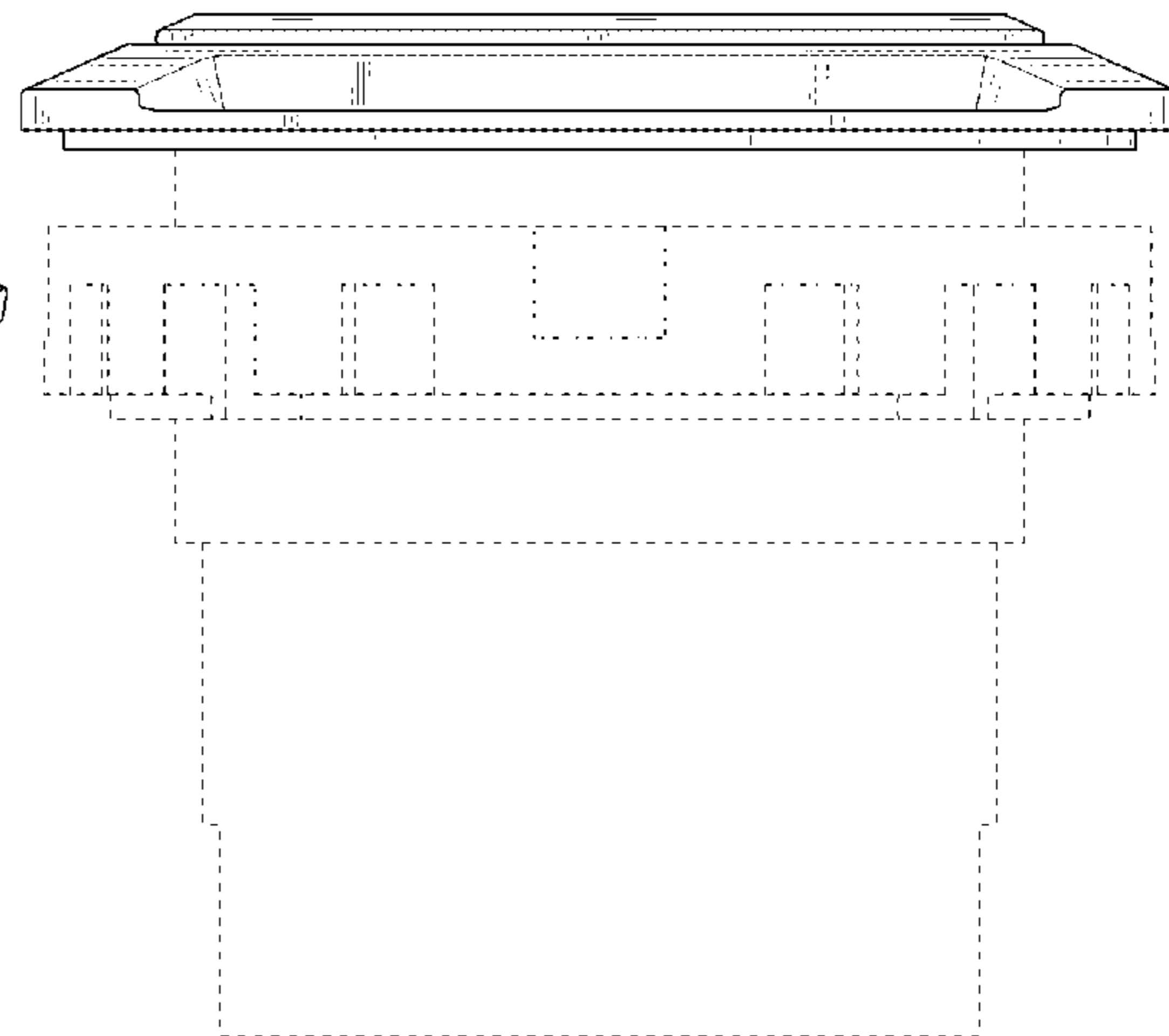
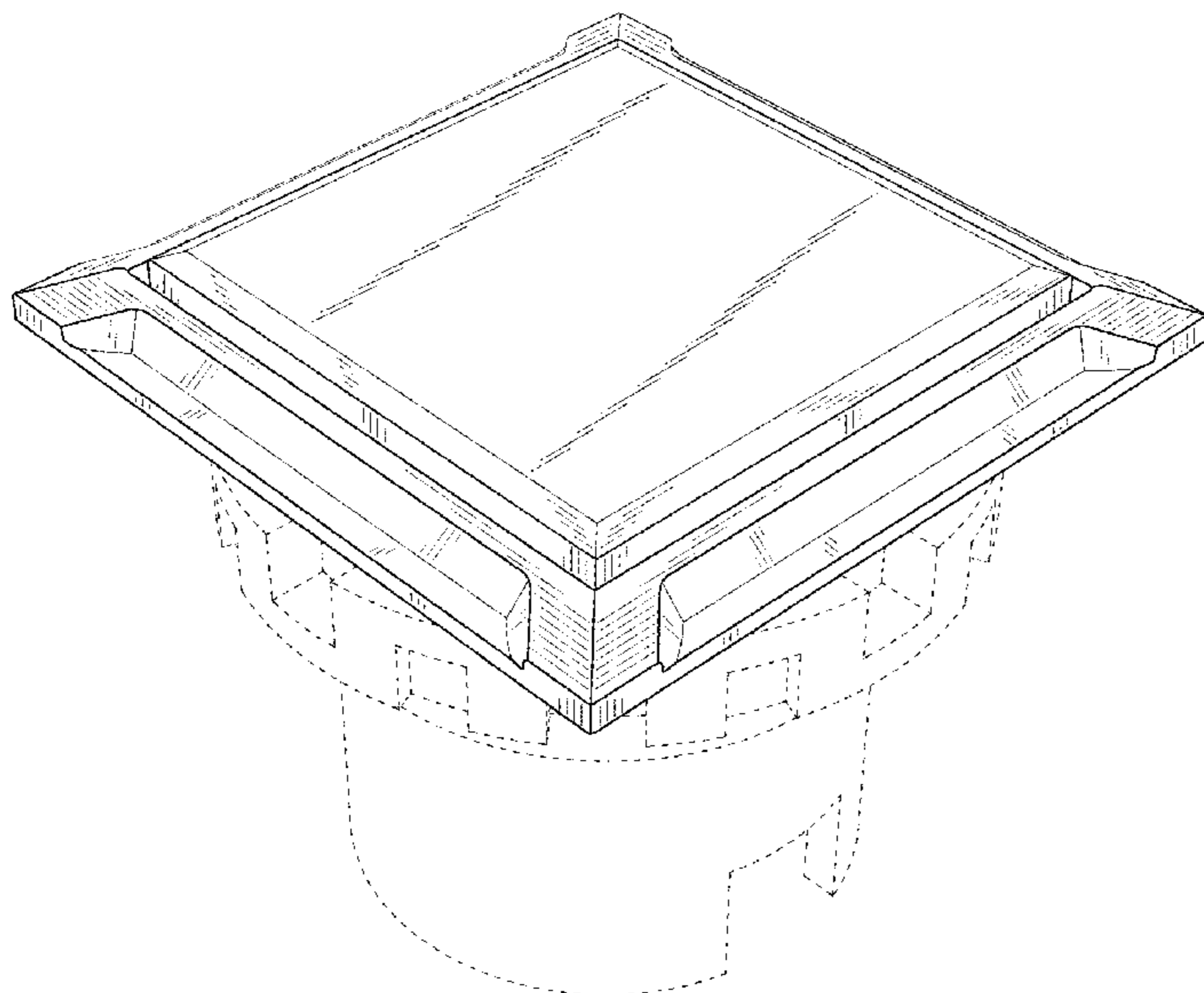


Fig. 1

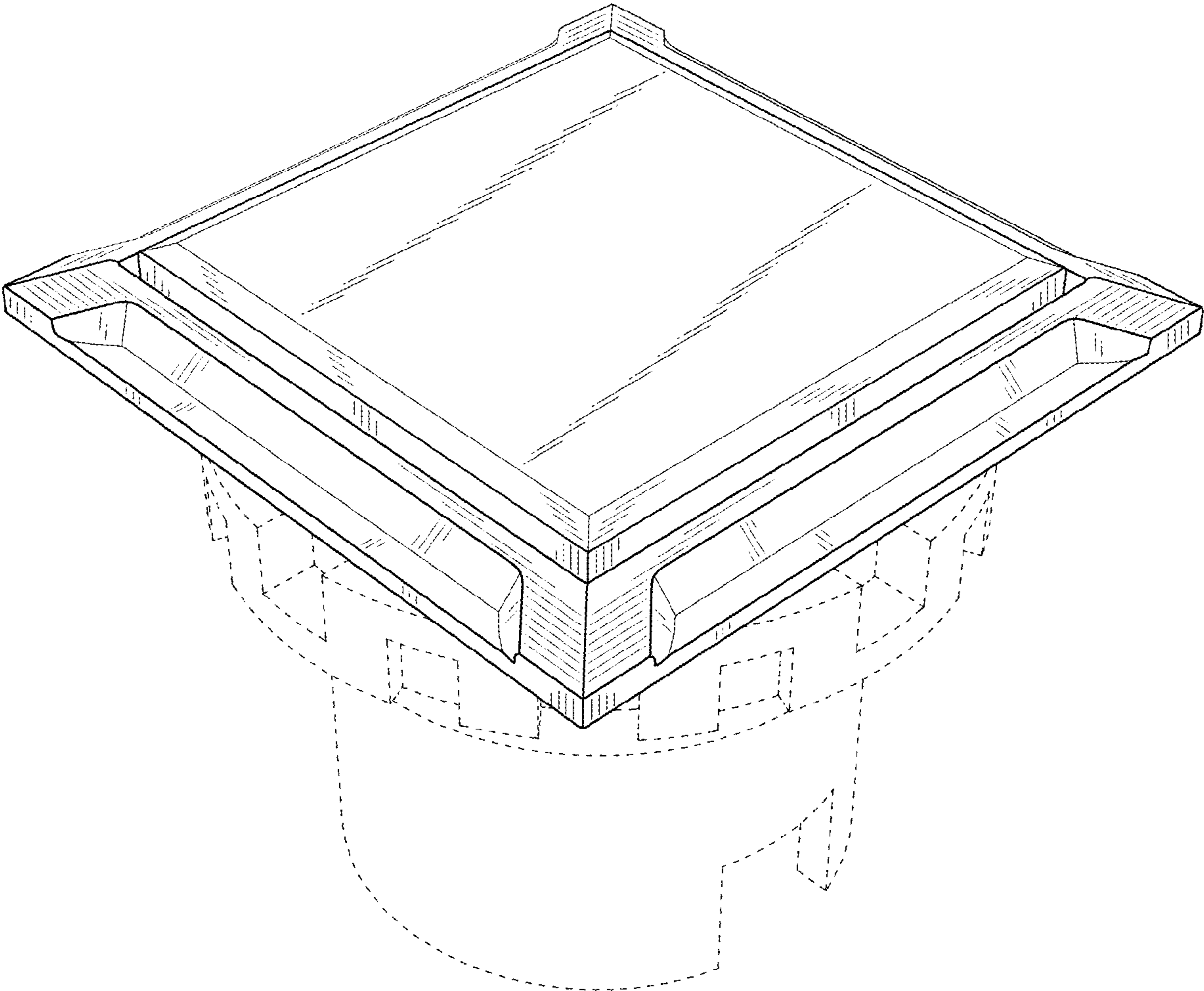


Fig. 2

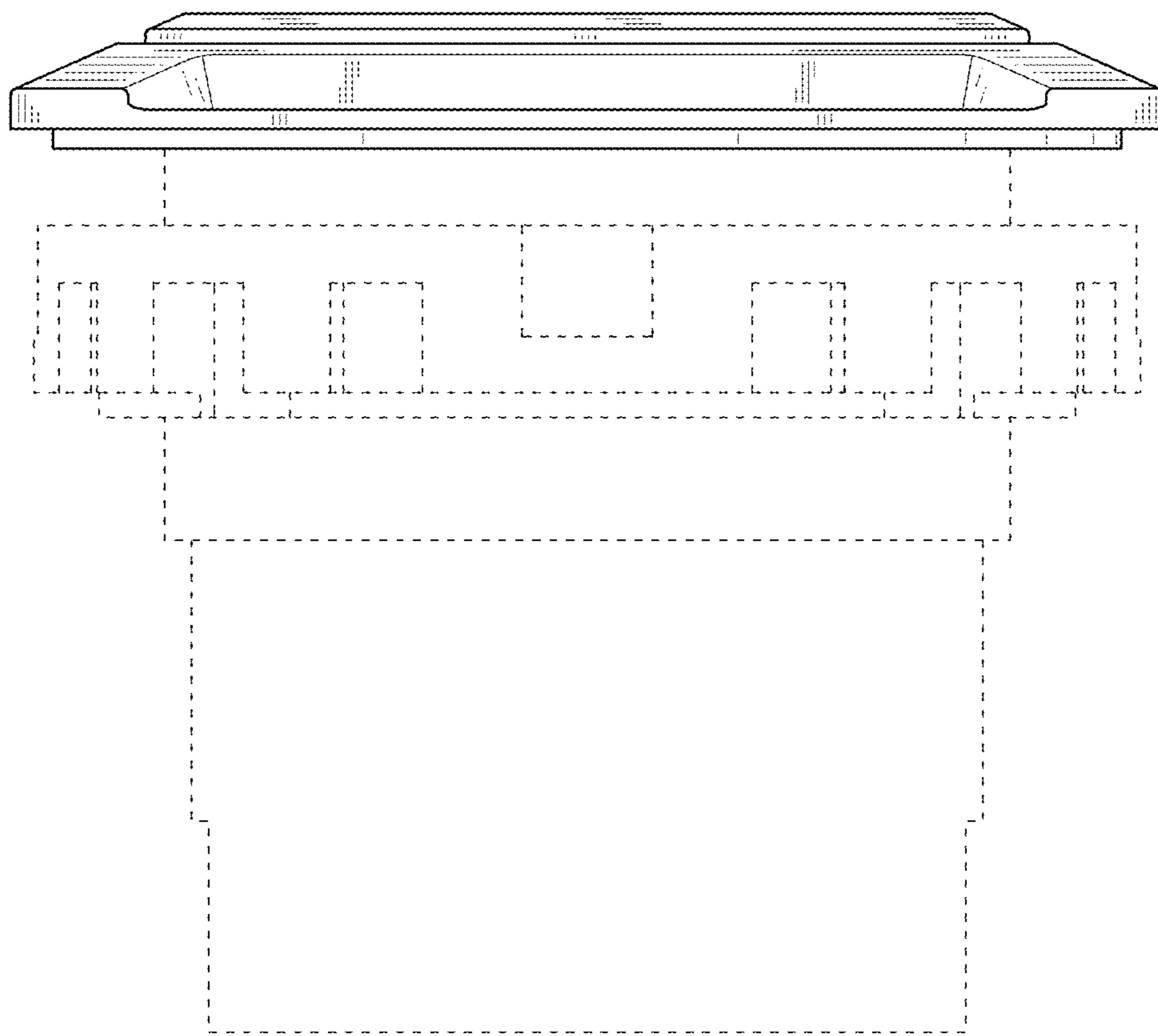


Fig. 3

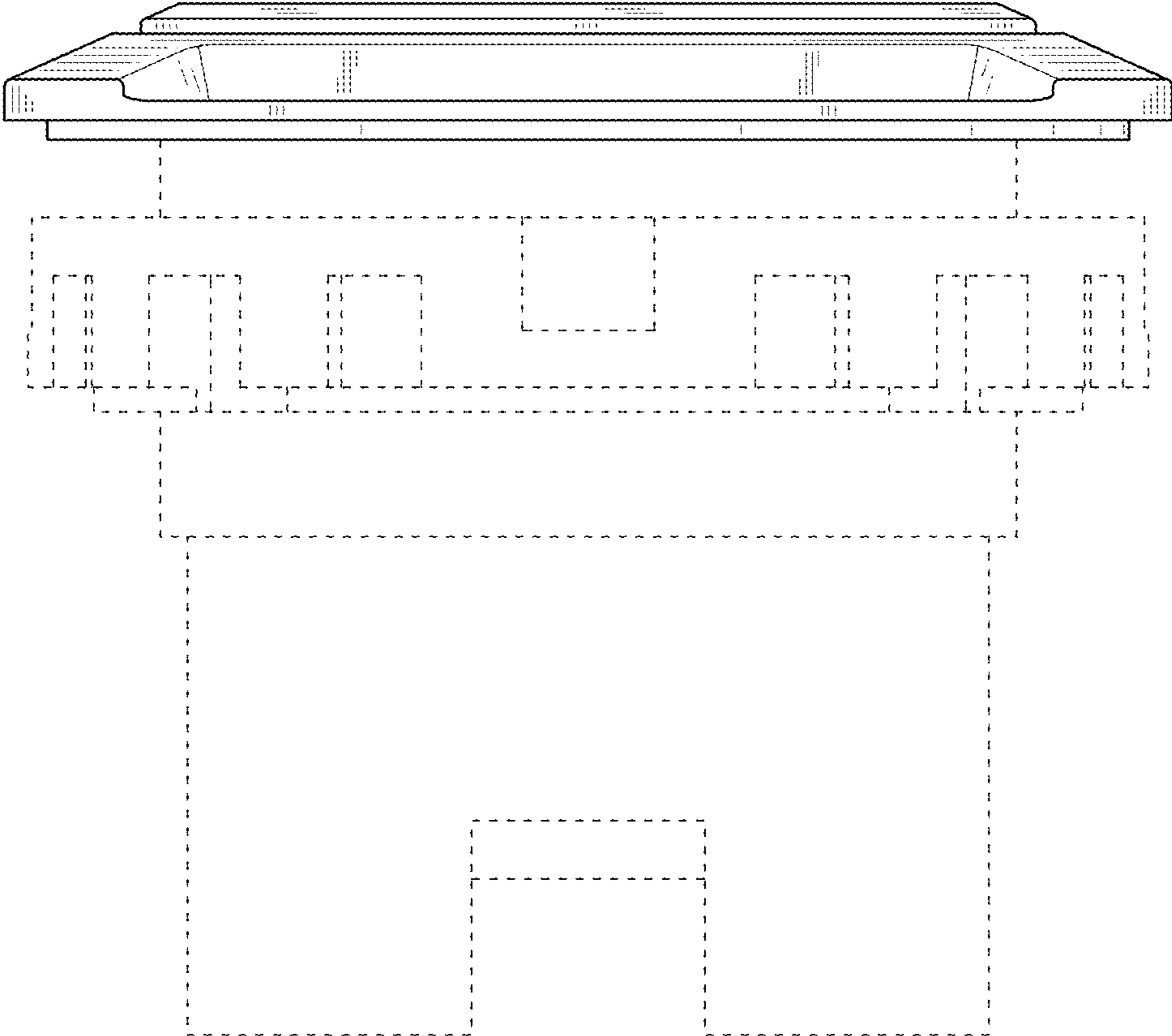


Fig. 4

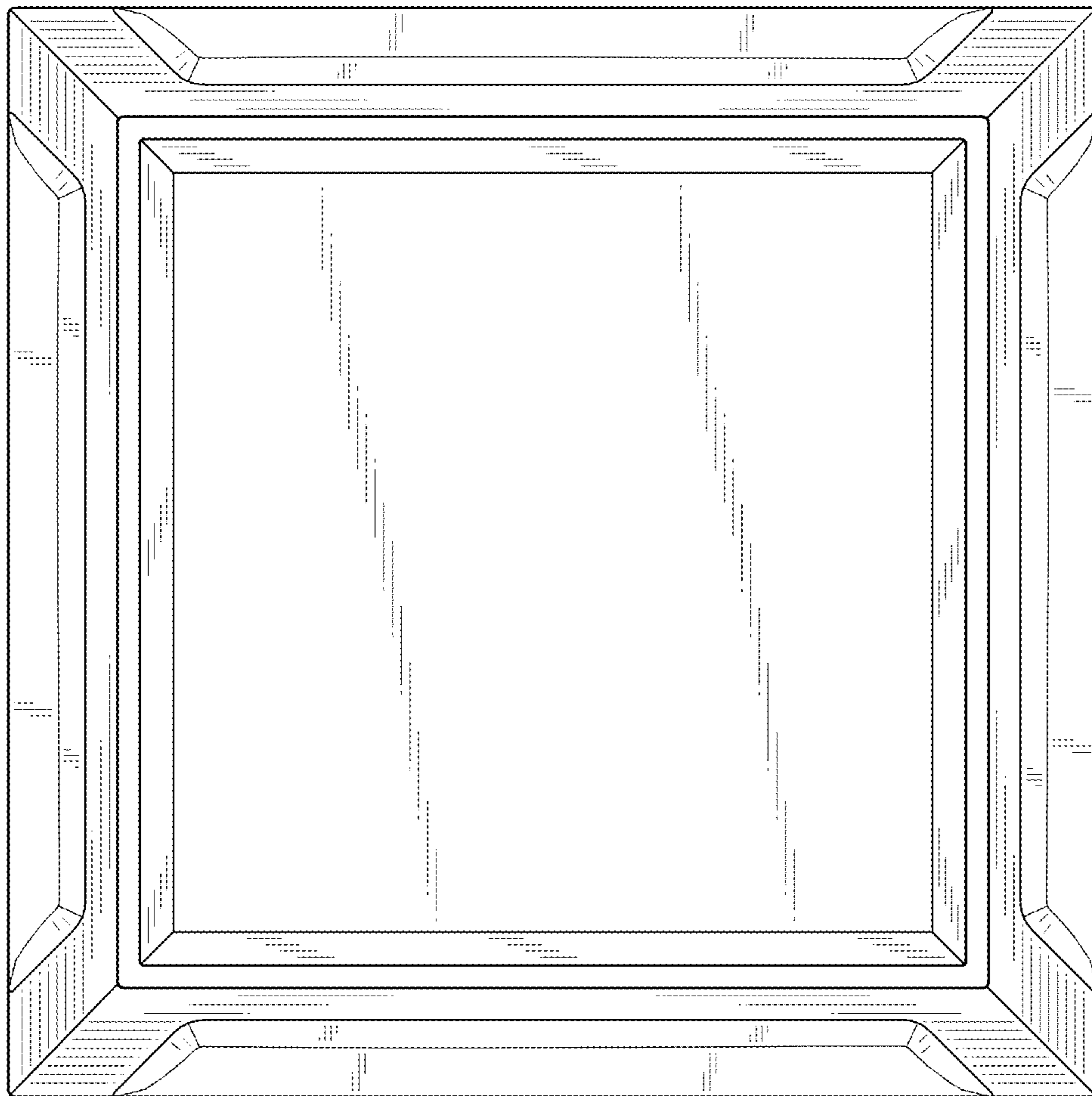


Fig. 5

